



aromas

Intro P3

Table P6

Pendant P120

Floor P312

Wall P358

Tables P478

Finishes P480

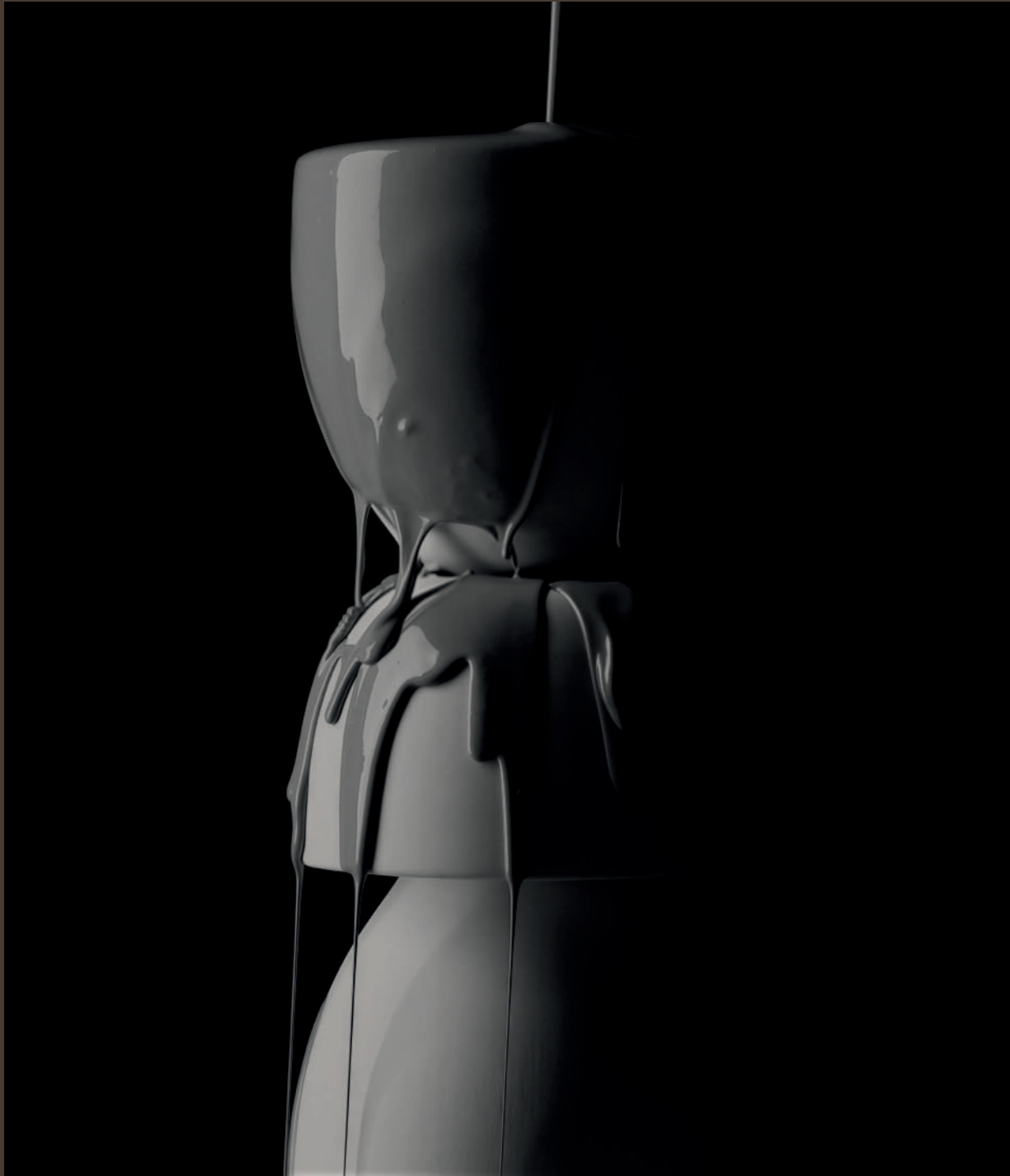
Accessories P486

Bulbs P490

Information P494

Aromas del Campo, founded in Valencia, Spain, combines Mediterranean inspiration with modern design to create a diverse range of high-quality lighting solutions. Known for its attention to detail, Aromas offers both functional and decorative lamps that transform spaces with elegance and sophistication. Each piece, from table and floor lamps to wall and pendant lights, reflects a commitment to craftsmanship and innovation. This catalogue highlights the brand's dedication to adaptable and bespoke designs, allowing clients to choose from various finishes, colors, and materials to fit any environment. Aromas del Campo's lighting collections bring warmth, style, and a distinct Mediterranean touch to interiors worldwide.

Rooted in Light



Since 1986, we have been designing and developing lighting in Valencia, where Mediterranean light, craftsmanship, and culture are part of everyday life. Each piece is born from a balance between tradition and a contemporary outlook, with meticulous attention to detail and materials, shaping honest, timeless designs made to last.

with honest materials



We work with noble materials, chosen for their quality, character, and ability to age beautifully over time. Each lamp is hand-painted with care, ensuring subtle variations and a human touch that make every piece unique, reflecting our commitment to craftsmanship and enduring design.

Table

ABBACUS	SI258	54
ADON	NAC119	106
AIDER	SI287	46
AMBOR	SI283	47
AMEC	NAC139	86
ANZA	SI336	29
ATIL	SI281	50
ATINA	NAC115	110
BAMBÚ	NAC146	72
BAMBÚ	NAC146/2	74
BION	SI306	40
BORA	NAC129	98
CACTUS	NAC135	92
CACTUS	NAC135/2	92
CLOUD	SI345	22
COCO	SI342	26
COPO	NAC124	104
CUBIC	SI344	24
CURN	NAC149/L	65
CURN	NAC149/S	66
DAB	NAC127	102
DENA	NAC136	90
DOBI	SI207	58
DUSSA	SI307	40
ENDO	SI156	63
ERTO	SI257	55
FILL	NAC148	68
GAMB	SI358	8
GEHIT	SI350	17
GINA	SI334	29
GOT	NAC125	102
HEDRA	SI159	62
HOLD	SI326	30
HOLM	SI321	33
IPON	SI316	35
ISON	SI298	42

KEZO	SI324	32
KINE	SI288	45
KITTA KITTA	NAC108	115
KITTA PONN	NAC107	115
LADA	SI354	13
LALU	SI189	60
LOPO	NAC137	88
LUET	NAC132	94
LUSA	NAC104	117
LYB	SI274	51
MAHO	SI254	55
MAPI	NAC143	80
MARU	SI194	59
MELLY	NAC103	118
METRIC	NAC117	108
NANO	SI294	43
NINO	SI275	50
NOA	NAC110	114
NOOI	SI276	48
NURO	SI349	18
OKET	SI317	34
OLAS	NAC144	78
ONICA	NAC114	109
ONUT	NAC130	96
ONUT	NAC130/2	96
PAPI	NAC142	81
PIPE	SI293	42
PIRE	NAC140	84
PONN	NAC106	116
PULL	SI249	56
REMS	SI318	34
ROCK	NAC141/L	82
ROCK	NAC141/S	82
SAND	SI109	63
SANO	SI325	32
SHIN	SI261	53

SONICA	NAC116	109
SYAL	NAC145	76
TANA	SI309	38
TARO	NAC113	112
TASTA	SI354	11
TEA	SI337	28
TEX	SI026	62
TILLA	NAC125	100
TURA	SI313	36
TURA C	SI313/C	37
URAL	NAC131	96
VITREE	SI346	21
YCRO	SI297	41
YUT	NAC147	70

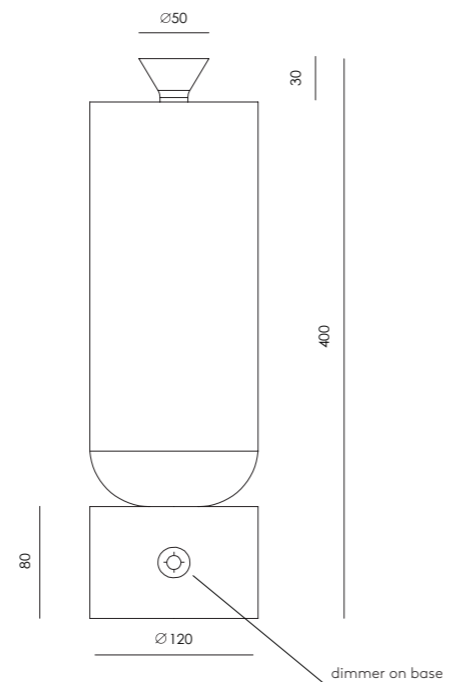
GAMB

S1358

Pepe Fornas
Design 2026



EN	MATERIALS		Metal / Marble / Linen
	FINISHES	Combinations	
		Metal	Marble
		Matt black	Black
		Aged gold	Black
		Aged gold	White
	SPECIFICATIONS (UE)	E27 Max. 6W 2700K 540lm 220-240V, 50/60 Hz Dimmer on base	
	ENERGY LABEL	E	
ES	MATERIALES		Metal / Mármol / Lino
	ACABADOS	Metal	Mármol
		Negro mate	Negro
		Oro envejecido	Negro
		Oro envejecido	Blanco
	ESPECIFICACIONES (UE)	E27 Max. 6W 2700K 540lm 220-240V, 50/60 Hz Regulador en base	
	CLASIFICACIÓN ENERGÉTICA	E	
ICONS	IP20		





TASTA

SI354



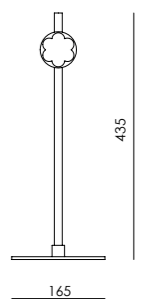
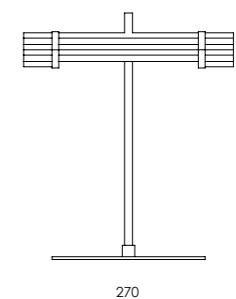
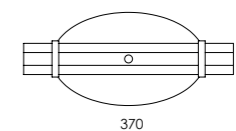
Pepe Fornas
Design 2026



EN	MATERIALS		Metal / Marble
	FINISHES	Metal	Marble
		Sandy black Aged gold	Black White Brown Green
	SPECIFICATIONS (UE)	LED strip 5W 2700K 450lm 220-240V, 50/60 Hz Dimmer on cable	
	ENERGY LABEL	F	
ES	MATERIALES		Metal / Mármol
	ACABADOS	Metal	Mármol
		Negro mate Oro envejecido	Negro Blanco Marrón Verde
	ESPECIFICACIONES (UE)	Tira LED 5W 2700K 450lm 220-240V, 50/60 Hz Regulador en cable	
	CLASIFICACIÓN ENERGÉTICA	F	

ICONS

IP20 CE   





LADA

SI354

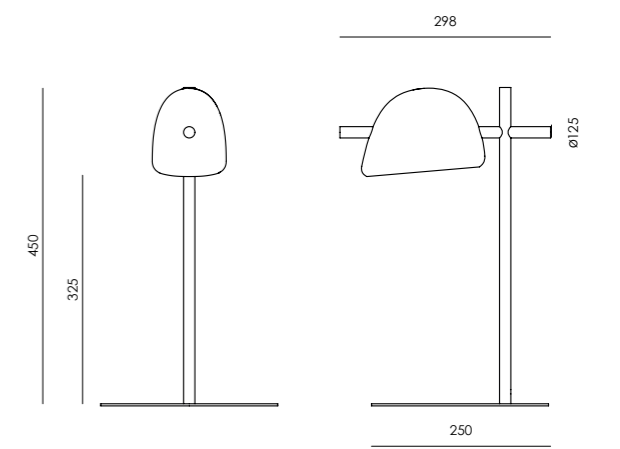
Pepe Fornas
Design 2026



EN	MATERIALS		Metal / Cerámica
	FINISHES	Metal	Ceramics
		Matt black Aged gold	White
	SPECIFICATIONS (UE)	LED Strip 11W 2700K 990lm 220-240V, 50/60 Hz Dimmer on cable	
	ENERGY LABEL	E	

ES	MATERIALES		Metal / Cerámica
	ACABADOS	Metal	Cerámica
		Negro mate Oro envejecido	Bianco
	ESPECIFICACIONES (UE)	Tira LED 11W 2700K 990lm 220-240V, 50/60 Hz Regulador en cable	
	CLASIFICACIÓN ENERGÉTICA	E	

ICONS IP20



IRZO

S1353

Pepe Fornas
Design 2026



EN

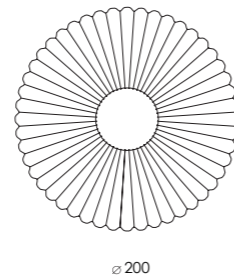
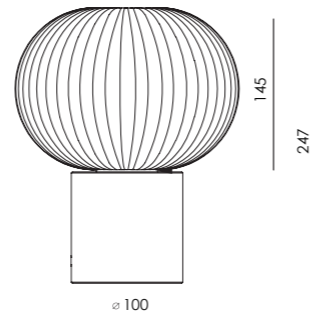
MATERIALS	Metal / Glass / Marble	
FINISHES	Base Matt black Metal Aged gold Metal Green Marble Brown Marble	Shade Opal Glass
SPECIFICATIONS (UE)	G9 5W 2700K 450lm 220-240V, 50/60 Hz Dimmer on cable	
ENERGY LABEL	E	

ES

MATERIALES	Metal / Cristal / Mármol	
ACABADOS	Base Metal Negro mate Metal Oro envejecido Mármol Verde Mármol Marrón	Tulipa Cristal Opal
ESPECIFICACIONES (UE)	G9 5W 2700K 450lm 220-240V, 50/60 Hz Regulador en cable	
CLASIFICACIÓN ENERGÉTICA	E	

ICONS

IP20 CE





GEHIT

S1350

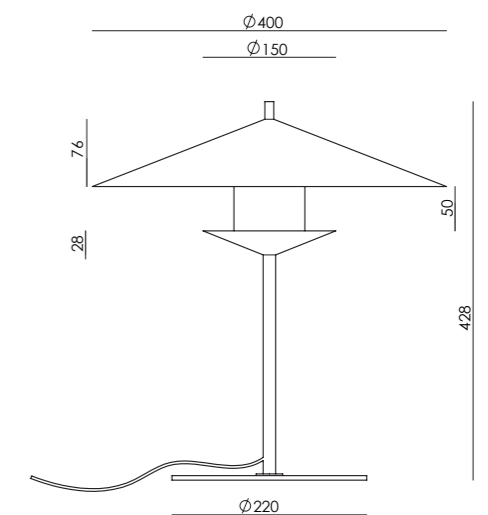


Pepe Fornas
Design 2025



EN	MATERIALS			
	Metal / Wood / Glass			
	FINISHES			
	Metal Matt black Aged gold	Wood Dark walnut	Glass Striped glass	Difusser Opal
	SPECIFICATIONS (UE)			
	LED Strip 8.5W 850lm 2700K 220-240V, 50/60 Hz Dimmer on cable			
	ENERGY LABEL			
	F			

ES	MATERIALES			
	Metal / Madera / Cristal			
	ACABADOS			
	Metal Negro mate Oro envejecido	Madera Nogal	Cristal Estridado	Difusor Opal
	ESPECIFICACIONES (UE)			
	Tira LED 8.5W 850lm 2700K 220-240V, 50/60 Hz Regulador en cable			
	CLASIFICACIÓN ENERGÉTICA			
	F			



ICONS

IP20 CE E U L

NURO

S1349

Nacho Timón
Design 2025



Upper part color: Mustard
Lower part color: Leaf green

EN **MATERIALS** Metal / Glass / Marble

FINISHES	Metal	Glass	Marble accessory	Marble Ball
	Matt black with aged gold details	See colour palette	Black White Green Brown Travertine	Black

SPECIFICATIONS (UE) E27 max. 15W LED (Not included)
220-240V, 50/60 Hz
Dimmer on cable

ENERGY LABEL E

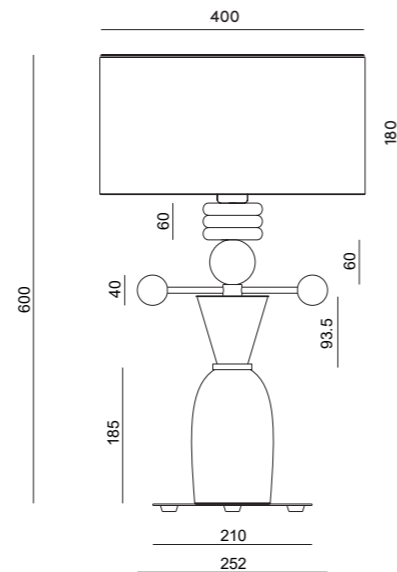
ES **MATERIALES** Metal / Cristal / Mármol

ACABADOS	Metal	Cristal	Mármol accesorio	Mármol Bola
	Negro mate con detalles en oro envejecido	Ver la paleta de color	Negro Blanco Verde Marrón Travertino	Negro

ESPECIFICACIONES (UE) Bombilla E27 Max. 15W (no incluida),
220-240V, 50/60 Hz
Regulador en cable

CLASIFICACIÓN ENERGÉTICA E

ICONS



* Image shade 801021/40 not included/
Pantalla imagen 801021/40 no incluida





VITREE

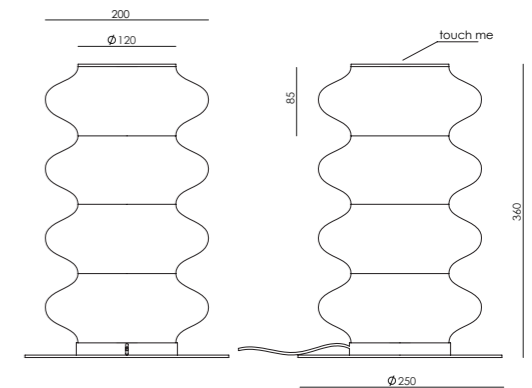
S1346

Pepe Fornas
Design 2025



EN	MATERIALS Metal / Glass	
	FINISHES	Glass
	Matt black Aged gold	Clear
	SPECIFICATIONS (UE)	LED Strip 12W 2700K 1200lm Touch me on top 220-240V, 50/60 Hz
	ENERGY LABEL	F

ES	MATERIALES Metal / Cristal	
	ACABADOS	Cristal
	Negro mate Oro envejecido	Transparente
	ESPECIFICACIONES (UE)	LED Strip 12W 2700K 1200lm Touch me superior 220-240V, 50/60 Hz
	CLASIFICACIÓN ENERGÉTICA	F



ICONS IP20 CE RoHS WEEE

CLOUD

S1345



Arnold Salido
Design 2025

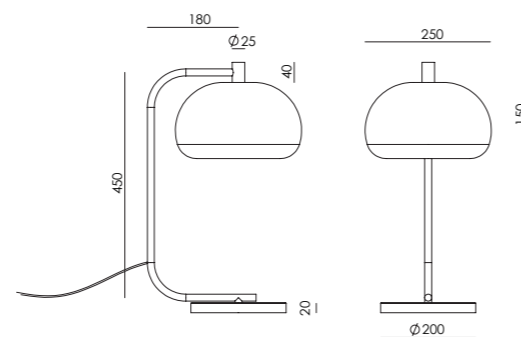


EN

MATERIALS	Metal / Glass / Marble		
FINISHES	Metal Matt black Aged gold	Shade Clear (standard)	Difusser Opal
SPECIFICATIONS (UE)	G9 5W 2700K 450lm Dimmer on cable 220/240V 50/60 Hz		
ENERGY LABEL	E		

ES

MATERIALES	Metal / Cristal / Mármol		
ACABADOS	Metal Negro mate Oro envejecido	Pantalla Transparente (standard)	Difusor Opal
ESPECIFICACIONES (UE)	G9 5W 2700K 450lm Regulador en cable 220-240V 50/60 Hz		
CLASIFICACIÓN ENERGÉTICA	E		



*Other smoked finish (Greenish brown / Amber / Clear / Grey) /
Otros acabados ahumados (Marrón verdoso / Ambar /
Transparente / Gris)



CUBIC

S1344

Pepe Fornas
Design 2025



EN

MATERIALS Metal / Alabaster

FINISHES Metal
Matt black
Aged gold

SPECIFICATIONS (UE) G9 5W 2700K450lm
Dimmer on cable
220-240V, 50/60 Hz

ENERGY LABEL E

ES

MATERIALES Metal / Alabastro

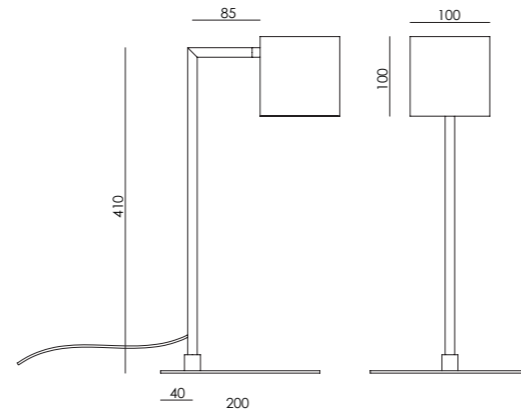
ACABADOS Metal
Oro envejecido
Negro mate

ESPECIFICACIONES (UE) G9 5W 2700K 450lm
Regulador en el cable
220-240V, 50/60 Hz

**CLASIFICACIÓN
ENERGÉTICA** E

ICONS

IP20    



COCO

S1342

AC Studio
Design 2025



Leather:
Grey Taupe

EN **MATERIALS** Metal / Braided leather

FINISHES	Metal	Leather
	Matt black	Black
	Aged gold	Brown
	Chrome	Grey Taupe

SPECIFICATIONS (UE) Bulb E27 Max. 15W (not included), Switch ON/OFF integrated in tube 220-240V, 50/60 Hz

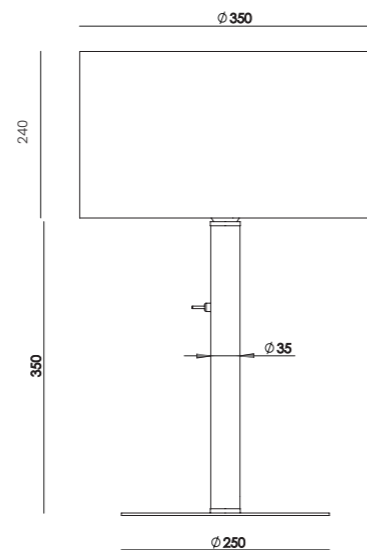
ENERGY LABEL E

ES **MATERIALES** Metal / Cuero trenzado

ACABADOS	Metal	Cuero
	Negro mate	Negro
	Oro envejecido	Marrón
	Cromo	Gris Topo

ESPECIFICACIONES (UE) Bombilla E27 Max. 15W (no incluida), Interruptor ON/OFF integrado en el tubo 220-240V, 50/60 Hz

CLASIFICACIÓN ENERGÉTICA E



ICONS



* Image shade 801011/36 not included/
Pantalla imagen 801011/36 no incluida



Leather: Black
Metal: Gold

TEA

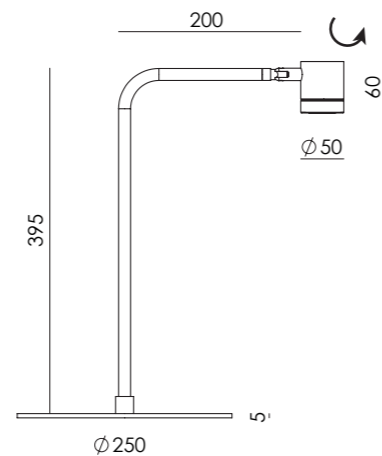
SI337



AC Studio
Design 2024



EN	MATERIALS	Metal / Marble										
	FINISHES	<table border="1"> <tr> <th>Combinations</th> <th>Marble</th> </tr> <tr> <td>Metal</td> <td>Black</td> </tr> <tr> <td>Matt black</td> <td>White</td> </tr> <tr> <td>Aged gold</td> <td>Brown</td> </tr> <tr> <td>Metallic grey</td> <td></td> </tr> </table>	Combinations	Marble	Metal	Black	Matt black	White	Aged gold	Brown	Metallic grey	
Combinations	Marble											
Metal	Black											
Matt black	White											
Aged gold	Brown											
Metallic grey												
	SPECIFICATIONS (UE)	Chip LED 6W 2700K 600lm Dimmer Switch on cable 220-240V ·50/60Hz										
	ENERGY LABEL	F										



ES	MATERIALES	Metal / Mármol										
	ACABADOS	<table border="1"> <tr> <th>Combinaciones</th> <th>Mármol</th> </tr> <tr> <td>Metal</td> <td>Negro</td> </tr> <tr> <td>Negro mate</td> <td>Blanco</td> </tr> <tr> <td>Oro envejecido</td> <td>Marrón</td> </tr> <tr> <td>Gris metalizado</td> <td></td> </tr> </table>	Combinaciones	Mármol	Metal	Negro	Negro mate	Blanco	Oro envejecido	Marrón	Gris metalizado	
Combinaciones	Mármol											
Metal	Negro											
Negro mate	Blanco											
Oro envejecido	Marrón											
Gris metalizado												
	ESPECIFICACIONES (UE)	Chip LED 6W 2700K 600lm Regulador en cable 220-240V ·50/60Hz										
	CLASIFICACIÓN ENERGÉTICA	F										

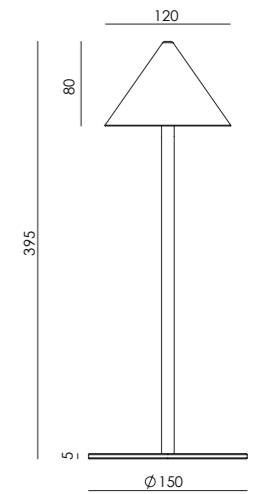
ICONS

ANZA

SI336



Pepe Fornas
Design 2024



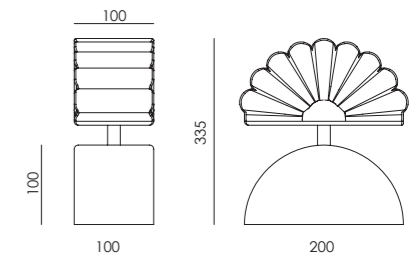
EN	MATERIALS	Metal / Marble								
	FINISHES	<table border="1"> <tr> <th>Combinations</th> <th>Marble</th> </tr> <tr> <td>Metal</td> <td>Black</td> </tr> <tr> <td>Matt black</td> <td>White</td> </tr> <tr> <td>Aged gold</td> <td></td> </tr> </table>	Combinations	Marble	Metal	Black	Matt black	White	Aged gold	
Combinations	Marble									
Metal	Black									
Matt black	White									
Aged gold										
	SPECIFICATIONS (UE)	LED plate 9W 2700K 810lm dimmmable 220-240V ·50/60 Hz Dimmer on cable								
	ENERGY LABEL	F								
ICONS										

GINA

SI334



Pepe Fornas
Design 2024



EN	MATERIALS	Metal / Acrylic / Marble								
	FINISHES	<table border="1"> <tr> <th>Metal</th> <th>Marble</th> </tr> <tr> <td>Aged Gold</td> <td>Green</td> </tr> <tr> <td>Glass</td> <td>Black</td> </tr> <tr> <td>Opal Glass</td> <td></td> </tr> </table>	Metal	Marble	Aged Gold	Green	Glass	Black	Opal Glass	
Metal	Marble									
Aged Gold	Green									
Glass	Black									
Opal Glass										
	SPECIFICATIONS (UE)	Bulb G9 5W 450lm, 2700K dimmmable 220-240 V, 50/60 Hz Dimmer on cable								
	ENERGY LABEL	E								
ICONS										

HOLD

S1326



AC Studio
Design 2024



EN

MATERIALS Metal / Glass / Marble

FINISHES

Combinations	
Metal	Marble
Matt Black	Black
Aged Gold	White
Glass	
Opal	

SPECIFICATIONS (UE) 2 x Bulb G9 5W 810lm
2700K Dimmer on cable
220-240 V, 50/60 Hz

ENERGY LABEL E

ES

MATERIALES Metal / Cristal / Mármol

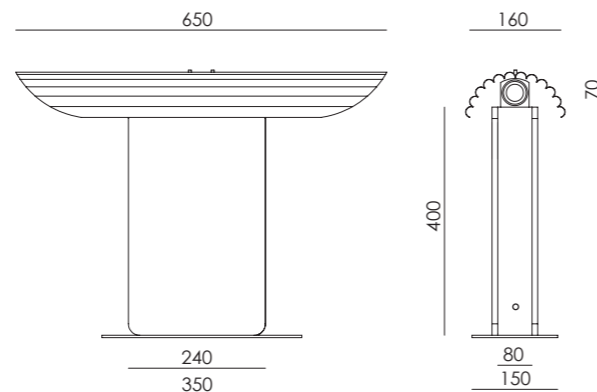
ACABADOS

Combinaciones	
Metal	Mármol
Negro Mate	Negro
Oro envejecido	Blanco
Cristal	
Opal	

ESPECIFICACIONES (UE) 2 x Bombilla G9 5W 810lm
2700K Regulador en cable
220-240 V, 50/60 Hz

CLASIFICACIÓN ENERGÉTICA E

ICONS



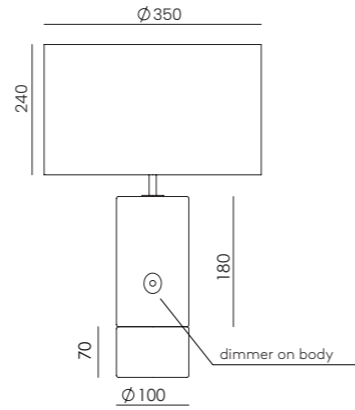
SANO

S1325



* Image shade 801031/36 not included/
Pantalla imagen 801031/36 no incluida

AC Studio
Design 2024



EN MATERIALS	Wood / Marble / Travertine
FINISHES	Body and base Black wood / Black marble Brown wood / Brown marble Beech wood / Travertine
SPECIFICATIONS (UE)	Bulb E27 9W 810lm (included) 2700K dimmer switch integrated in body 220-240 V, 50/60 Hz
ENERGY LABEL	E

ICONS	
--------------	--

HOLM

S1321



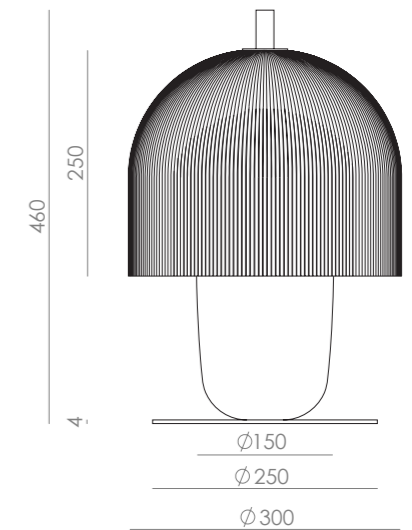
Maidier Lizeaga
Design 2023



EN MATERIALS	Metal / Glass
FINISHES	Diffuser Clear stripped Body Opal Metal Black
SPECIFICATIONS (UE)	LED plate on top 14W 2700K 1200lm 220-240V 50/60Hz LED strip on body 6W 2700K450lm Dimmer switch on cable
ENERGY LABEL	F

ES MATERIALES	Cristal / Metal
ACABADOS	Difusor Transparente estriado Cuerpo Opal Metal Negro
ESPECIFICACIONES (UE)	Placa LED placa superior 14W 2700K 1200lm 220-240V 50/60Hz Tira LED en cuerpo 6W 2700K 450lm Regulador en cable
CLASIFICACIÓN ENERGÉTICA	F

ICONS	
--------------	--



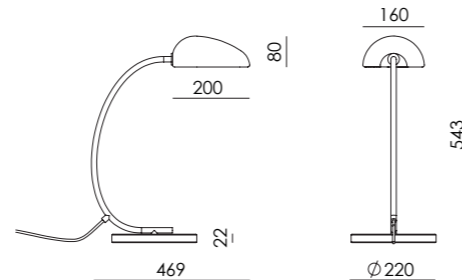
KEZO

S1324



Shade:
Green leaf

JF Sevilla
Design 2024

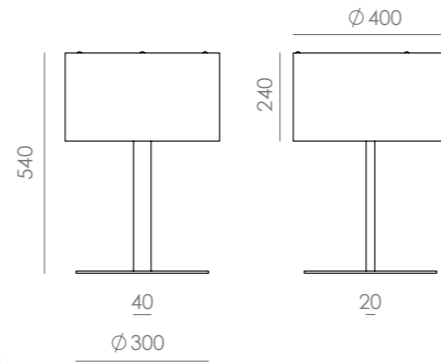


EN MATERIALS	Marble / Aluminium
FINISHES	Metal Matt Black Nickel Marble Black Metal Shade Standard: Matt White Others: (See colour palette p.484)
SPECIFICATIONS (UE)	G9 5W 2700K 450 lm (included) Dimmer on cable 220-240 V, 50/60 Hz
ENERGY LABEL	E

ICONS	
--------------	--

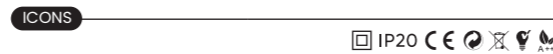
REMS

S1318



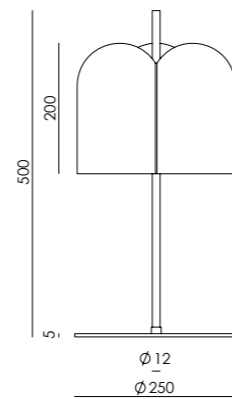
JF Sevilla
Design 2023

EN	MATERIALS Metal / Acrylic / Leather	
	FINISHES	Shade
	Metal Matt black	Black leather Orange leather Light brown leather Dark brown leather
	SPECIFICATIONS (UE) E27 9W 2700K 720 lm (included) Dimmer on the cable 220-240 - 50/60 Hz	
	ENERGY LABEL E	



OKET

S1317



Pepe Fornas
Design 2023

EN	MATERIALS Metal	
	FINISHES	Shade
	Combinations Body and base Metal matt brass Metal matt black	Matt white Matt black
	SPECIFICATIONS (UE) LED plate dimmable 10 W - 2700 K - 810 lm Dimmer switch on cable 220-240V - 50/60 Hz	
	ENERGY LABEL F	



IPON

S1316



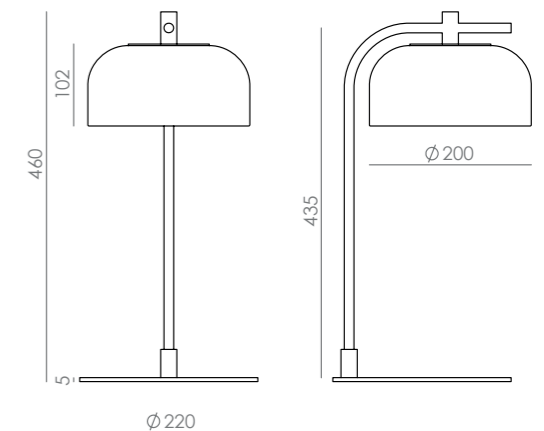
AC Studio
Design 2023



Colour glass:
Clear

EN	MATERIALS Metal / Glass	
	FINISHES	Shade
	Metal Matt black Aged gold	Clear*
	SPECIFICATIONS (UE) LED plate 10W 2700K 810 lm Dimmer switch on cable 220-240V - 50/60 Hz	
	ENERGY LABEL F	

ES	MATERIALES Metal / Glass	
	ACABADOS	Pantalla
	Cuerpo Negro mate Oro envejecido	Transparente*
	ESPECIFICACIONES (UE) Placa LED regulable 10W 2700K 810 lm Regulador en el cable 220-240V - 50/60 Hz	
	CLASIFICACIÓN ENERÉTICA F	



*Other smoked finish (Greenish brown / Amber / Blue / Grey) /
Otros acabados ahumados (Marrón verdoso / Ambar /
Azul / Gris)

TURA

S1313



JF Sevilla
Design 2023



TURA C

S1313/C



JF Sevilla
Design 2023



EN		
MATERIALS	Steel / Leather / Marble	
FINISHES	Steel Matt black Marble Matt Black	Leather Black Brown Orange

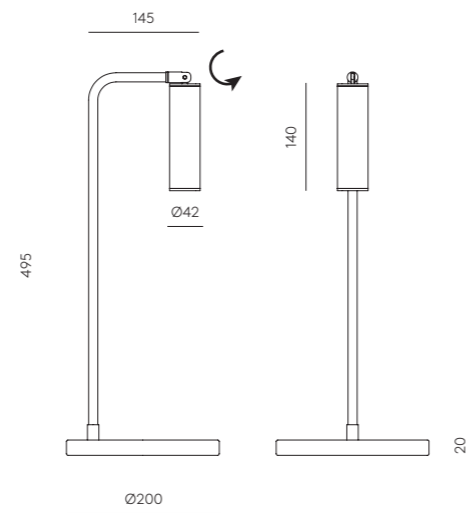
SPECIFICATIONS (UE) Chip LED 5W 2700K
Dimmer on cable
220-240V/24V – 50/60 Hz, 450lm

ENERGY LABEL F

ES		
MATERIALES	Metal / Cuero / Mármol	
ACABADOS	Metal Negro mate Mármol Negro mate	Cuero Negro Marrón Naranja

ESPECIFICACIONES (UE) Chip LED 5W 2700K
Regulador en cable
220-240V/24V, 50/60 Hz, 450lm

CLASIFICACIÓN ENERGÉTICA F



ICONS



EN		
MATERIALS	Steel / Leather / Marble	
FINISHES	Steel Matt black Aged gold Marble Matt Black	Leather Black Dark Brown Light Brown Orange

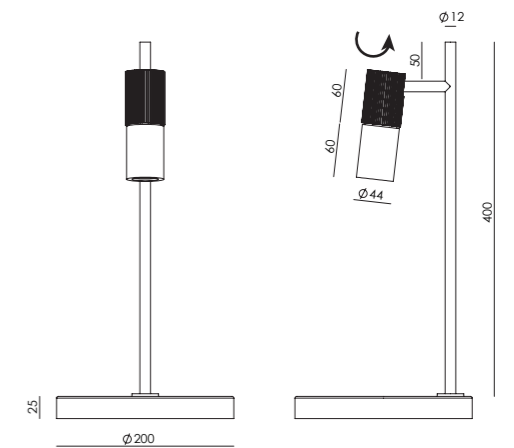
SPECIFICATIONS (UE) Chip LED 5W 2700K
Dimmer on cable
220-240V/24V – 50/60 Hz, 450lm

ENERGY LABEL F

ES		
MATERIALES	Metal / Cuero / Mármol	
ACABADOS	Metal Negro mate Oro envejecido Mármol Negro mate	Cuero Negro Marrón oscuro Marrón claro Naranja

ESPECIFICACIONES (UE) Chip LED 5W 2700K
Regulador en cable
220-240V/24V, 50/60 Hz, 450lm

CLASIFICACIÓN ENERGÉTICA F



ICONS



TANA

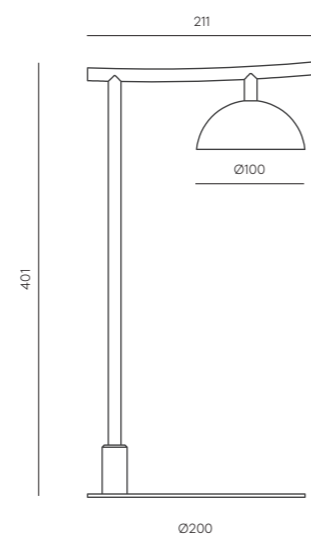
S1309

JF Sevilla
Design 2022



EN	MATERIALS	Steel
	FINISHES	Steel Matt black
	SPECIFICATIONS (UE)	Chip LED 4W 2700K 560lm (Included) Dimmer on cable 220-240V/24V 50/60 Hz
	ENERGY LABEL	F

ES	MATERIALES	Metal
	ACABADOS	Metal Negro mate
	ESPECIFICACIONES (UE)	Chip LED 4W 2700K 560lm (Incluida) Regulador en cable 220-240V / 24V 50/60 Hz
	CLASIFICACIÓN ENERGÉTICA	F



ICONS

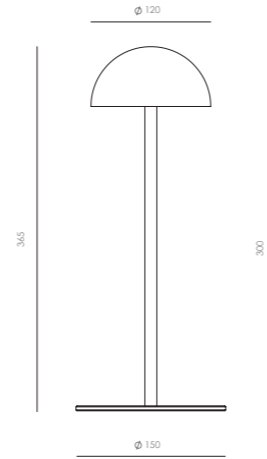


DUSSA

S1307



Pepe Fornas
Design 2022



EN	MATERIALS Steel / Marble		
	FINISHES	Metal Matt black Aged gold Matt black	Marble Black White Travertine
	SPECIFICATIONS (UE)	Led Plate 9W 2700K Dimmer on cable 24 V, 50/60 Hz, 720lm	
	ENERGY LABEL	F	

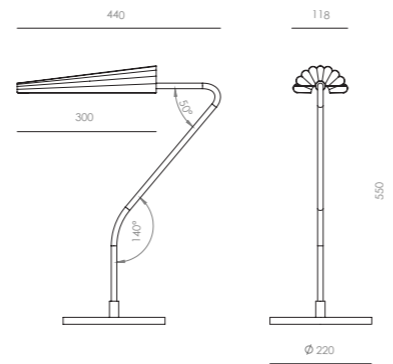


BION

S1306



Pepe Fornas
Design 2022



EN	MATERIALS Steel / Marble			
	FINISHES	Body Matt black Aged gold	Shade Matt black Matt white	Marble Black
	SPECIFICATIONS (UE)	G9 LED 5W 2700K 450lm (included) Dimmer on cable 220-240 V, 50/60 Hz		
	ENERGY LABEL	E		



YCRO

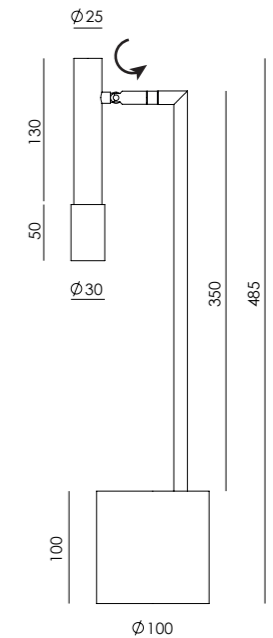
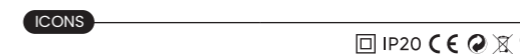
S1297

JF Sevilla
Design 2022



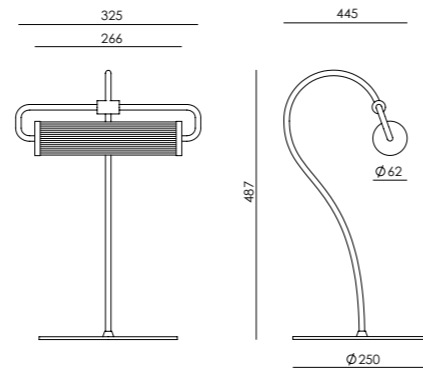
EN	MATERIALS Steel / Marble	
	FINISHES	Metal Matt black Matt Brass Marble Matt Black
	SPECIFICATIONS (UE)	Chip Led 8W 2700K Dimmable 220-240V - 24V - 50/60 Hz 810lm Dimmer on cable
	ENERGY LABEL	F

ES	MATERIALS Acero / Mármol	
	FINISHES	Metal Negro Mate Oro Mate Mármol Negro Mate
	SPECIFICATIONS (UE)	Chip Led 8W 2700K Regulable 220-240V - 24V - 50/60 Hz 810lm Regulador en cable
	ENERGY LABEL	F



ISON

S1298

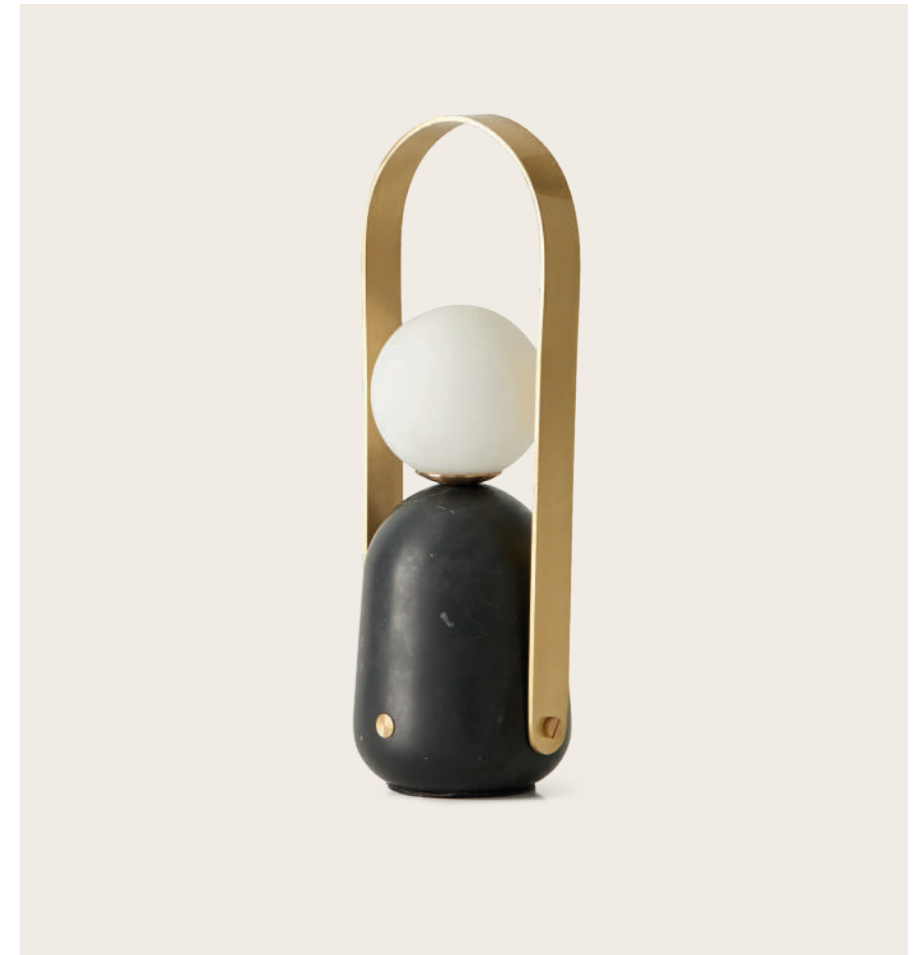


Pepe Fornas
Design 2022

EN	MATERIALS Steel / Glass	
	FINISHES	Metal Aged Gold Matt Black
		Glass Striped
	SPECIFICATIONS (UE)	LED Strip 10W 2700K Dimmable 220-240V - 24V - 50/60 Hz Dimmer on cable 900lm
	ENERGY LABEL	F
ICONS		

NANO

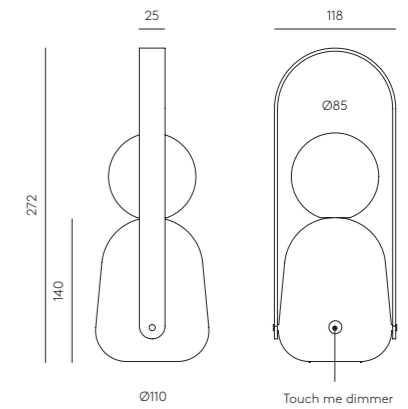
S1294



Pepe Fornas
Design 2022

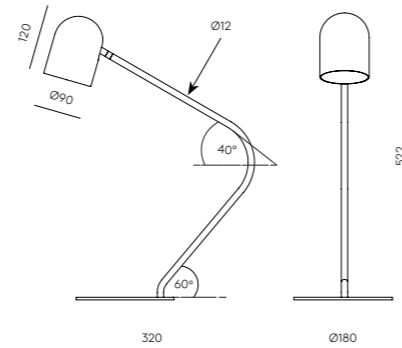


EN	MATERIALS Steel /Marble /Glass	
	FINISHES	Metal Matt Brass Matt Black
		Glass Opal
	SPECIFICATIONS (UE)	COB LED 3W, 2700K, 450lm 3,7V 2000 mAh 50/60 Hz Touch me - Dimmable Portable and rechargeable Wireless charger and USB included
	ENERGY LABEL	F
ES	MATERIALES Acero /Mármol /Vidrio	
	ACABADOS	Metal Oro Mate Negro mate
		Vidrio Opal
	ESPECIFICACIONES (UE)	COB LED 3W, 2700K, 450lm 3,7V 2000 mAh 50/60 Hz Touch me - Regulable Portátil y recargable Base de carga inalámbrica y usb incluidos
	CLASIFICACIÓN ENERGÉTICA	F
ICONS		



PIPE

S1293



AC Studio
Design 2021

EN	MATERIALS Steel	
	FINISHES	Metal Matt Black
	SPECIFICATIONS (UE)	GU10 LED 5W 2700K 450lm (included) 220-240 V, 50/60 Hz Dimmer on cable
	ENERGY LABEL	E
ICONS		



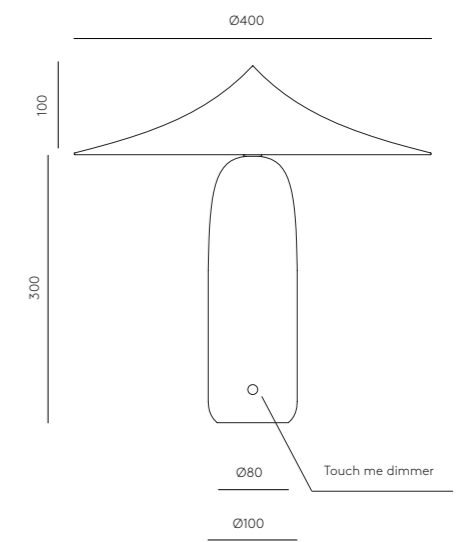
KINE

S1288

Pepe Fornas
Design 2020



EN	MATERIALS Steel / Marble	
FINISHES	Base Matt Black Marble Matt White Marble	Shade Textured Black Textured White Matt Brass
SPECIFICATIONS (UE)	Integrated LED plate 10W 2700K 900lm 220-240V/24V, 50 / 60Hz Touch Me Dimmer	
ENERGY LABEL	F	
ES	MATERIALES Acero / Mármol	
ACABADOS	Base Mármol negro mate Mármol blanco mate	Tulipa Negro texturado Blanco texturado Oro mate
ESPECIFICACIONES (UE)	Placa LED integrada 10W 2700K 900lm 220-240V/24V, 50/60Hz Touch Me Regulable	
CLASIFICACIÓN ENERGÉTICA	F	



ICONS IP20 CE RoHS WEEE

AIDER

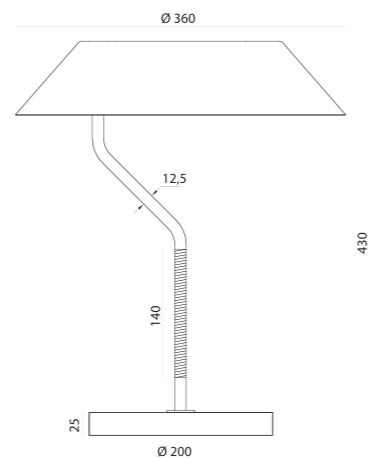
S1287



Arnold Salido
Design 2024



EN	MATERIALS	Steel / Rattan Plastic / Marmol		
	FINISHES	<table border="0"> <tr> <td>Metal Matt Brass Satin Nickel Shades: Metal Shiny Black</td> <td>Rattan Natural tone Marble Shiny Black</td> </tr> </table>	Metal Matt Brass Satin Nickel Shades: Metal Shiny Black	Rattan Natural tone Marble Shiny Black
Metal Matt Brass Satin Nickel Shades: Metal Shiny Black	Rattan Natural tone Marble Shiny Black			
	SPECIFICATIONS (UE)	E27 máx 9W 2700K 810 (included) Dimmable Switch on cable 220-240 V, 50/60 Hz		
	ENERGY LABEL	E		



ES	MATERIALES	Acero / Plástico Ratán / Mármol		
	ACABADOS	<table border="0"> <tr> <td>Metal Oro Mate Níquel Satinado Pantalla: Metal Negro Brillo</td> <td>Ratán Tono natural Mármol Negro Brillo</td> </tr> </table>	Metal Oro Mate Níquel Satinado Pantalla: Metal Negro Brillo	Ratán Tono natural Mármol Negro Brillo
Metal Oro Mate Níquel Satinado Pantalla: Metal Negro Brillo	Ratán Tono natural Mármol Negro Brillo			
	ESPECIFICACIONES (UE)	E27 máx 9W 2700K 810lm (incluido) Regulador en cable 220-240 V, 50/60 Hz 810 lm		
	CLASIFICACIÓN ENERGÉTICA	E		

ICONS



AMBOR

S1283

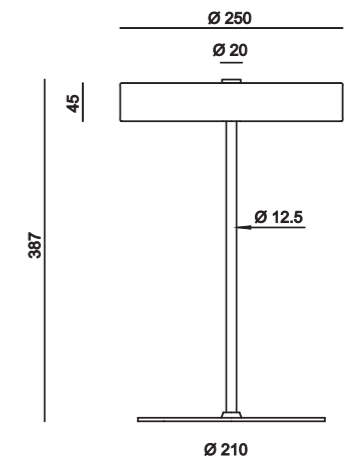


JF Sevilla
Design 2019



EN	MATERIALS	Steel		
	FINISHES	<table border="0"> <tr> <td>Body Matt Black</td> <td>Shade / Base Matt Black Matt Brass</td> </tr> </table>	Body Matt Black	Shade / Base Matt Black Matt Brass
Body Matt Black	Shade / Base Matt Black Matt Brass			
	SPECIFICATIONS (UE)	2 x G9 Bulbs LED 3W - 2700K Dimmable (Included) 220-240 V, 50/60 Hz, 800lm Dimmer on cable		
	ENERGY LABEL	E		

ES	MATERIALES	Acero		
	ACABADOS	<table border="0"> <tr> <td>Cuerpo Negro Mate</td> <td>Tulipa / Base Negro Mate Oro Mate</td> </tr> </table>	Cuerpo Negro Mate	Tulipa / Base Negro Mate Oro Mate
Cuerpo Negro Mate	Tulipa / Base Negro Mate Oro Mate			
	ESPECIFICACIONES (UE)	2 x Bombillas G9 3W - 2700K LED Regulables (Incluidas) 220-240 V, 50/60 Hz, 800lm Regulador en cable		
	CLASIFICACIÓN ENERGÉTICA	E		



ICONS



NOOI

S1276

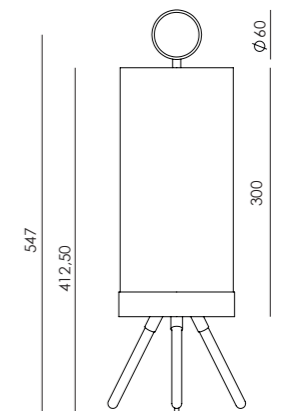
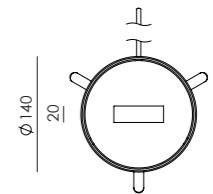
Pepe Fornas
Design 2022



EN	MATERIALS	Linen Steel Acrylic	
	FINISHES	Metal Matt Black Shade Cream Linen textile	Acrylic Opal
	SPECIFICATIONS (UE)	T8 5W 2700K 550lm (included) Dimmer on cable 220-240V/24V, 50/60 Hz	
	ENERGY LABEL	F	

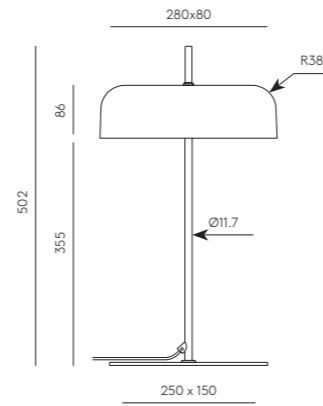
ES	MATERIALES	Lino Metal Acrílico	
	ACABADOS	Metal Negro mate Pantalla Textil Lino Crema	Acrílico Opal
	ESPECIFICACIONES (UE)	T8 5W 2700K 550lm (incluida) Regulador en cable 220-240V/24V 50/60 Hz	
	CLASIFICACIÓN ENERGÉTICA	F	

ICONS



ATIL

S1281



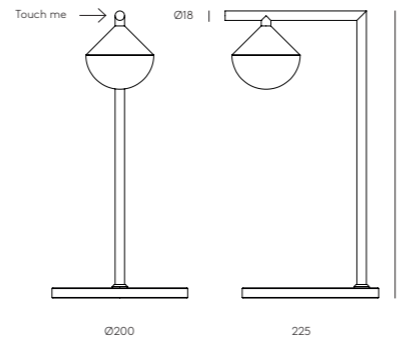
Pepe Fornas
Design 2019

EN	MATERIALS Steel / Glass	
	FINISHES Metal Matt Black Matt Brass	Glass Opal
	SPECIFICATIONS (UE) Bulbs G9 Led (Included) 2 x 5W - 2700K 220-240 V, 50/60 Hz	
	ENERGY LABEL E	



NINO

S1275



JF Sevilla
Design 2021

EN	MATERIALS Steel / Marble / Glass	
	FINISHES Metal Matt Black Details Matt Brass	Marble Matt Black Glass Optic
	SPECIFICATIONS (UE) LED 7W 2700K Dimmable 220-240V 24 V, 50/60 Hz, 800lm Touch me dimmable	
	ENERGY LABEL F	



LYB

S1274

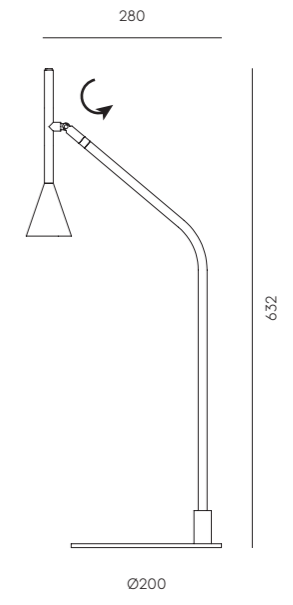


Pepe Fornas
Design 2019



EN	MATERIALS Steel
	FINISHES Metal Matt Black
	SPECIFICATIONS (UE) Integrated LED chip 5W 2700K Dimmer on cable 12 V, 50/60 Hz, 500lm
	ENERGY LABEL F

ES	MATERIALES Acero
	ACABADOS Metal Negro Mate
	ESPECIFICACIONES (UE) Chip Led integrado 5W, 2700K regulador en cable 12 V, 50/60 Hz, 500lm
	CLASIFICACIÓN ENERGÉTICA F





SHIN

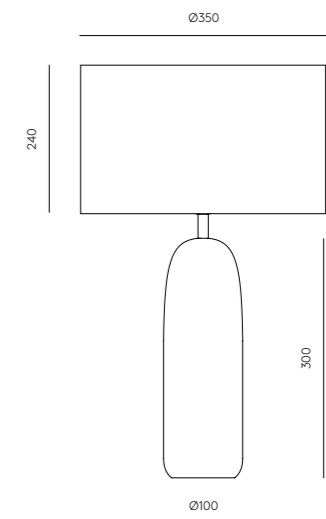
S1261

Pepe Fornas
Design 2021



EN	
MATERIALS	Steel / Marble
FINISHES	Combinations Marble black - Metal black Marble white - Metal white
SPECIFICATIONS (UE)	E27, 5W LED Dimmable (included) 220-240V, 50/60 Hz, 2700K, 450lm Dimmer on cable
ENERGY LABEL	F

ES	
MATERIALES	Acero / Mármol
ACABADOS	Combinaciones Mármol negro - Metal negro Mármol blanco - Metal blanco
ESPECIFICACIONES (UE)	E27, 5W LED Regulable (Incluida) 220-240V, 50/60 Hz, 2700K, 450lm Regulador en cable
CLASIFICACIÓN ENERGÉTICA	F



ICONS IP20 CE

* Image shade 801011/36 not included/
Pantalla imagen 801011/36 no incluida

* Image shade 801021/40 not included/
Pantalla imagen 801021/40 no incluida

ABBACUS

S1258

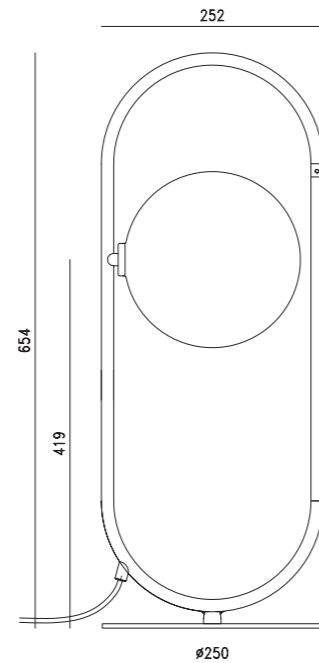


Pepe Fornas
Design 2018



EN	MATERIALS Steel / Blown Glass	
FINISHES	Metal Matt brass	Glass Opal
SPECIFICATIONS (UE)	Bulb G9 (Included) 5W - 2700K 220-240 V, 50/60 Hz, 500lm	
ENERGY LABEL	E	

ES	MATERIALES Acero / Vidrio Soplado	
ACABADOS	Metal Oro mate	Glass Opal
ESPECIFICACIONES (UE)	Bombilla G9 (Incluida) 5W - 2700K 220-240 V, 50/60 Hz, 500lm	
CLASIFICACIÓN ENERGÉTICA	E	



ICONS IP20 CE RoHS A++

ERTO

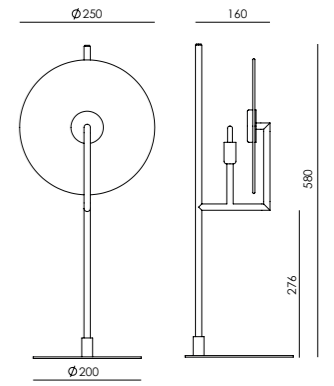
S1257



Pepe Fornas
Design 2020

EN	MATERIALS Steel	
FINISHES	Metal Matt Black	Details Matt Brass
SPECIFICATIONS (UE)	Bulb G9 (Included) 5W - 2700K, 220- 240V, 50/60 Hz, 500lm	
ENERGY LABEL	E	
COMPATIBLE ACCESSORIES (NOT INCLUDED)	Alabaster - 1096/25, Glass - 1223, Ceramic - 1097/20, Metal - 1038/25, Stripped metal -1089/25	

ICONS IP20 CE RoHS A++



MAHO

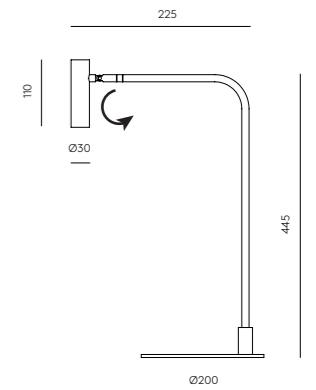
S1254



JF Sevilla
Design 2020

EN	MATERIALS Steel	
FINISHES	Metal Matt black (body) Black / Matt brass (head and details)	
SPECIFICATIONS (UE)	COB LED 5W 2700K 600lm 24V-220-240V, 50 / 60Hz, Dimmer on cable	
ENERGY LABEL	F	

ICONS IP20 CE RoHS A++



PULL

S1249

JF Sevilla
Design 2024



EN	MATERIALS	Metal / Linen / Marble
----	------------------	------------------------

FINISHES	Body	Metal shade
	Metal Matt black	Matt black Aged gold

Shade	Marble
Linen	Black

SPECIFICATIONS (UE)	Bulb G9 4W 2700K 500lm 220-240V, 50/60 Hz Dimmer on cable
----------------------------	---

ENERGY LABEL	E
---------------------	---

ES	MATERIALES	Metal / Lino / Mármol
----	-------------------	-----------------------

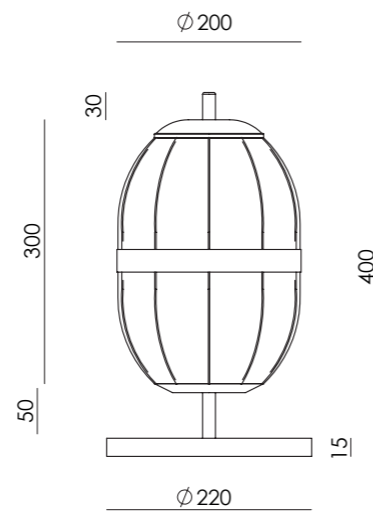
ACABADOS	Metal	Pantalla metal
	Negro mate	Negro mate Oro envejecido

Pantalla	Mármol
Lino	Negro

ESPECIFICACIONES (UE)	Bombilla G9 4W 2700K 500lm 220-240V, 50/60 Hz Regulador en cable
------------------------------	--

CLASIFICACIÓN ENERGÉTICA	E
---------------------------------	---

ICONS	IP20 CE RoHS ENEC A++
-------	-----------------------



DOBI

S1207



AC Studio
Design 2015

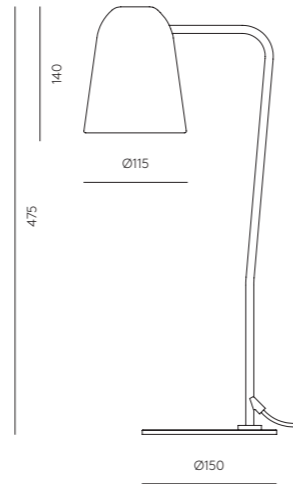


EN

MATERIALS	Steel
FINISHES	Metal Matt Black
SPECIFICATIONS (UE)	E14 Max. 33W (Not included) 220-240 V, 50/60 Hz
ENERGY LABEL	E
RECOMMENDED BULB	B116-2 (5W)

ES

MATERIALES	Acero
ACABADOS	Metal Negro Mate
ESPECIFICACIONES (UE)	E14 Max. 33W (No incluida) 220-240 V, 50/60 Hz
CLASIFICACIÓN ENERGÉTICA	E
BOMBILLA RECOMENDADA	B116-2 (5W)



ICONS



MARU

S1194



JF Sevilla
Design 2015

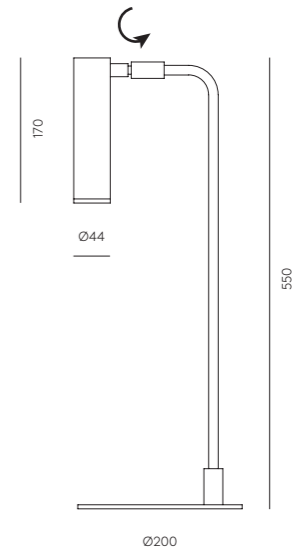


EN

MATERIALS	Steel
FINISHES	Metal Matt Black - Matt Brass Matt Black - Matt Black
SPECIFICATIONS (UE)	Integrated Led COB 3W 300lm 3000K 220-240V/12 V, 50/60 Hz
ENERGY LABEL	F

ES

MATERIALES	Acero
ACABADOS	Metal Negro Mate - Oro Mate Negro Mate - Negro Mate
ESPECIFICACIONES (UE)	Led COB integrado 3W 300lm 3000K 220-240V/12 V, 50/60 Hz
CLASIFICACIÓN ENERGÉTICA	F



ICONS



LALU

S1189

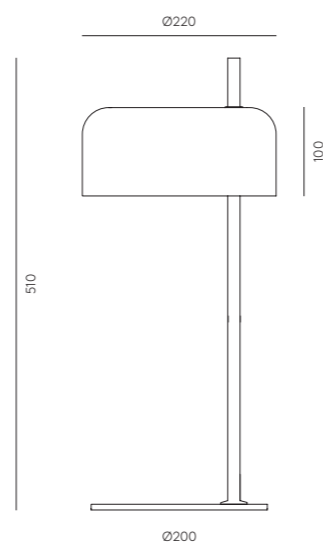
Jana Chang
Design 2013



Colour shade:
Brown Sugar

EN	MATERIALS	Steel	
	FINISHES	Metal Chrome Matt Brass	Shade White
	SPECIFICATIONS (UE)	E27 Max. 15W (Not included) 220-240 V, 50/60 Hz	
	ENERGY LABEL	E	
	RECOMMENDED BULB	B211 (7,9W)	

ES	MATERIALES	Acero	
	ACABADOS	Metal Cromo Oro Mate	Tulipa Blanco
	ESPECIFICACIONES (UE)	E27 Max. 15W (No incluida) 220-240 V, 50/60 Hz	
	ENERGY LABEL	E	
	RECOMMENDED BULB	B211 (7,9W)	



ICONS



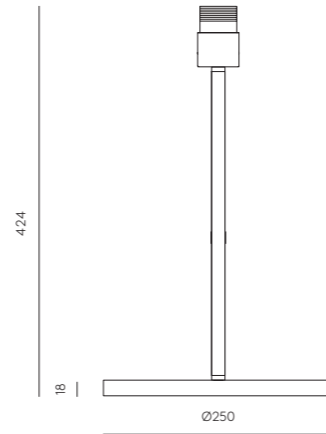
* Color shade can be changed/
El color de la pantalla se puede modificar



Colour shade:
Mocca

HEDRA

S1159



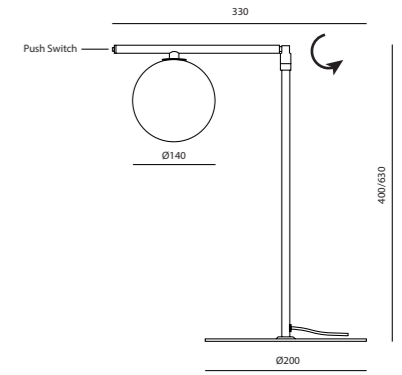
AC Studio
Design 2021

MATERIALS	Steel / Marble	
FINISHES	Metal Matt Black Matt Brass	Marble Matt black
SPECIFICATIONS (UE)	E27LED dimmable 9W 2700K (included), 220-240 V, 50/60 Hz 810lm Dimmer on cable	
ENERGY LABEL	E	



ENDO

S1156



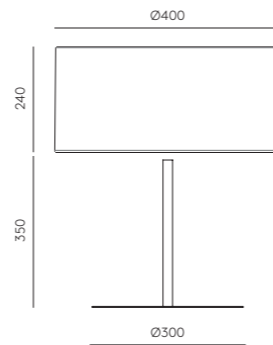
Pepe Fornas
Design 2024

MATERIALS	Steel / Blown Glass	
FINISHES	Metal Matt Brass Chrome	Shade (Included) Opal
SPECIFICATIONS (UE)	Bulb G9 Led - 5W (Included) 2700K - 220-240 V, 50/60 Hz 450lm Push switch on body	
ENERGY LABEL	E	



TEX

S1026



AC Studio
Design 2012

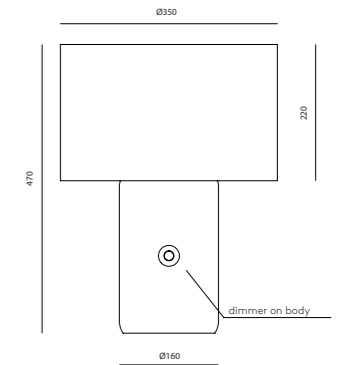
MATERIALS	Steel	
FINISHES	Metal: Matt White Matt Black	
SPECIFICATIONS (UE)	E27 max.15W (not included) 220-240 V, 50/60 Hz	
ENERGY LABEL	E	
RECOMMENDED BULB	B211 (5,7,9W)	



* Image shade 801011/41 not included/
Pantalla imagen 801011/41 no incluida

SAND

S1109



AC Studio
Design 2019

MATERIALS	Terrazzo	
FINISHES	Terrazzo Grey	
SPECIFICATIONS (UE)	E27 Max. 15W (not included) 220-240 V, 50/60 Hz Dimmer on body	
ENERGY LABEL	E	
RECOMMENDED BULB	B211/9W - Dimmable	





Ceramics: Brown Sugar

CURN

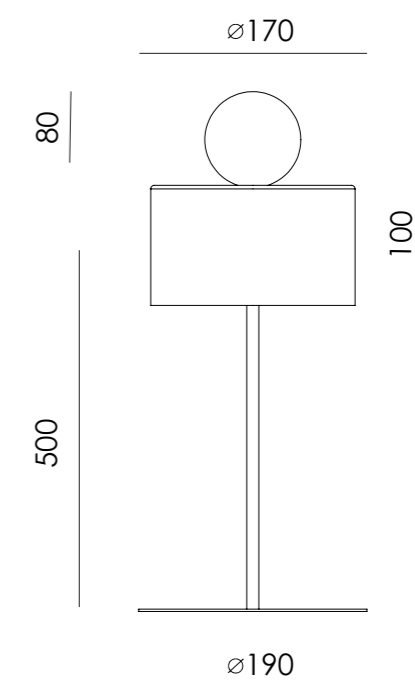
NAC149/L



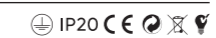
AC Studio
Design 2026

EN	MATERIALS Metal / Marble / Ceramics		
FINISHES	Metal Aged Gold Chrome Matt black	Ceramics (hand painted) See colors palette.	Marble White Green Brown Black
SPECIFICATIONS (UE)	LED plate 7W 2700K 700lm 220-240V, 50/60Hz Dimmable		
ENERGY LABEL	F		

ES	MATERIALES Metal / Mármol / Cerámica		
ACABADOS	Metal Oro envejecido Cromo Negro mate	Cerámica (Pintado a mano) Consultar pale- ta de colores.	Mármol Blanco Verde Marrón Negro
ESPECIFICACIONES (UE)	Placa LED 7W 2700K 700lm 220-240 V, 50/60 Hz Regulable		
ETIQUETA ENERGÉTICA	F		



ICONS



CURN

NAC149/S



Colour ceramics:
Ash Grey

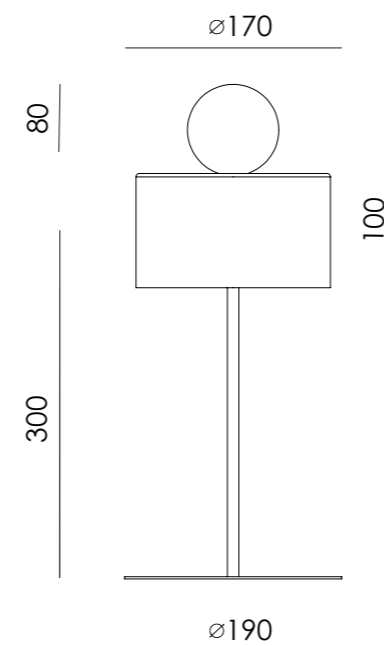
AC Studio
Design 2026

EN

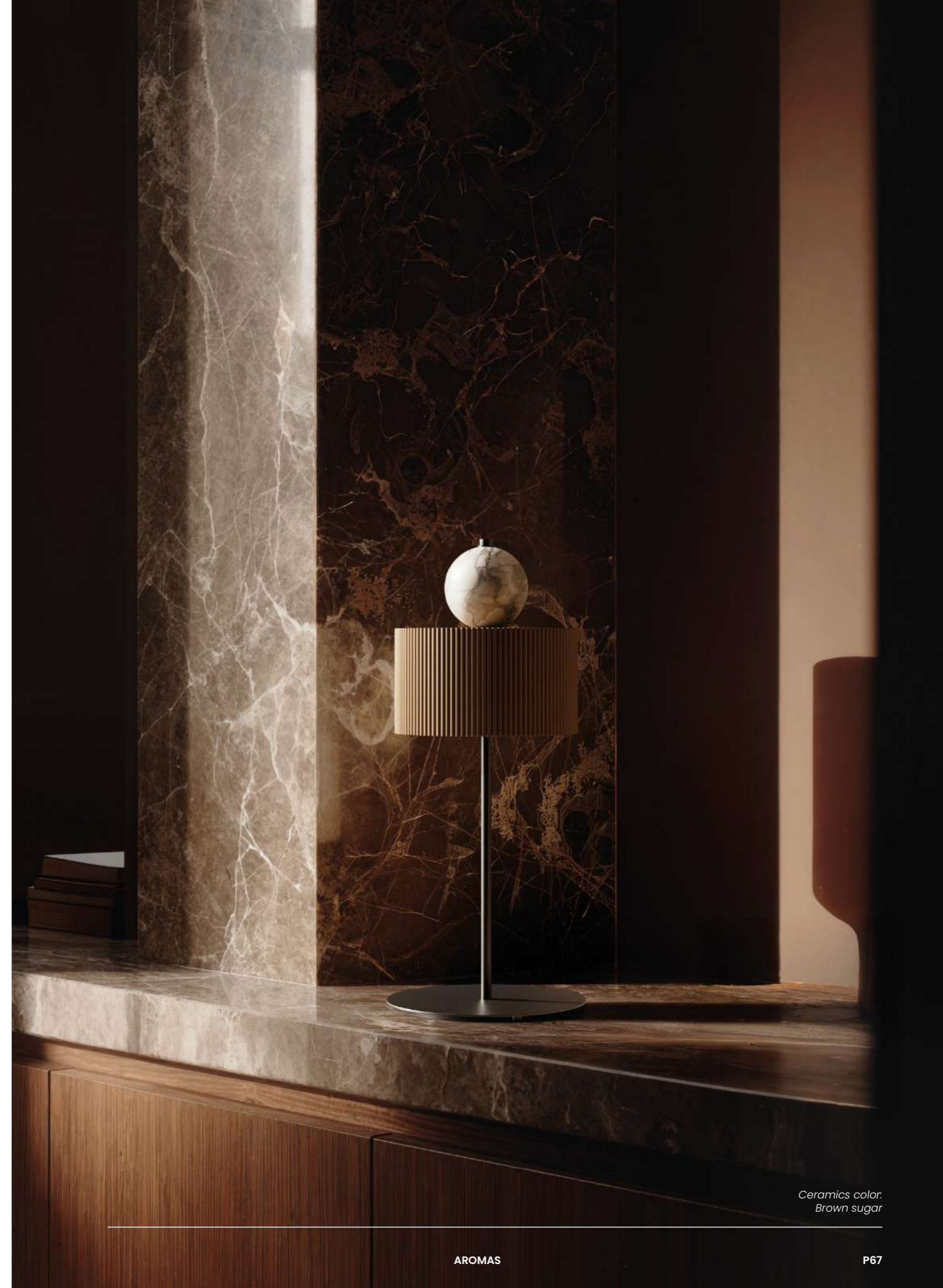
MATERIALS	Metal / Marble / Ceramic		
FINISHES	Metal Aged gold Chrome Matt black	Ceramics (hand painted) See colors palette.	Marble White Green Brown Black
SPECIFICATIONS (UE)	LED plate 7W 2700K 700lm 220-240V, 50/60Hz dimmable		
ENERGY LABEL	F		

ES

MATERIALES	Metal / Mármol / Cerámica		
ACABADOS	Metal Oro mate Cromo Negro mate	Cerámica (Pintado a mano) Consultar pale- ta de colores.	Mármol Blanco Verde Marrón Negro
ESPECIFICACIONES (UE)	Placa LED 7W 2700K 700lm 220-240 V, 50/60 Hz Regulable		
ETIQUETA ENERGÉTICA	F		



ICONS



Ceramics color:
Brown sugar



Ceramics: Nude

FILL

NAC148

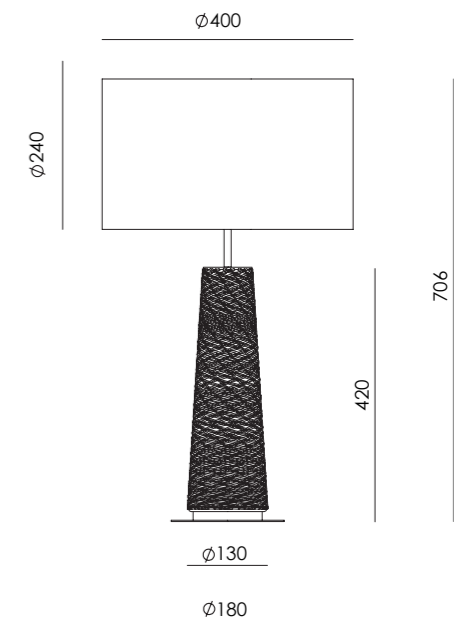
Pepe Fornas
Design 2026



Ceramics:
Orange Maison

EN	MATERIALS Metal / Ceramics	
FINISHES	Metal Matt black Matt White Matt Brass Shiny Gold Chrome Satin Niquel	Ceramics (hand painted) See colors palette.
SPECIFICATIONS (UE)	E27 Max. 15W (not included) 220-240V, 50/60 Hz	
RECOMMENDED BULB	B211 9W (Dimmable) + Dimmer. Consult price list	
ENERGY LABEL	E	
ES	MATERIALES Metal / Cerámica	
ACABADOS	Metal Negro mate Blanco Mate Oro Mate Oro Brillo Cromo Niquel Satinado	Cerámica (Pintado a mano) Consultar paleta de colores.
ESPECIFICACIONES (UE)	E27 max. 15W (No incluida) 220-240 V, 50/60 Hz	
BOMBILLA RECOMENDADA	B211 9W (Regulable) + Regulador Consultar tabla de precios	
CLASIFICACIÓN ENERGÉTICA	E	

ICONS



* Image shade 801130/41 not included/
Pantalla imagen 801130/41 no incluida

YUT

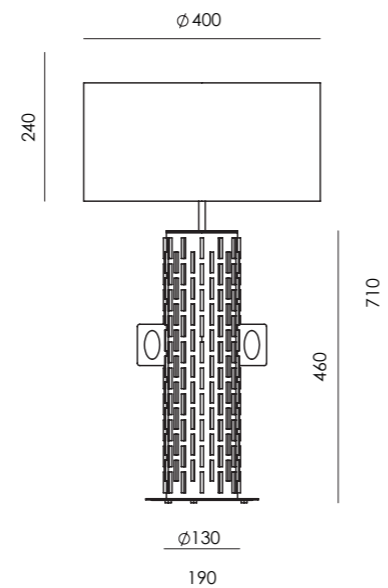
NAC147

Pepe Fornas
Design 2026



Ceramics color.
Mola Green

EN	MATERIALS Metal / Ceramics	
FINISHES	Metal Matt black Matt White Matt Brass Shiny Gold Chrome Satin Niquel	Ceramics (hand painted) See colors palette.
SPECIFICATIONS (UE)	E27 Max. 15W (not included) 220-240V, 50/60 Hz	
RECOMMENDED BULB	B211 9W (Dimmable) + Dimmer. Consult price list	
ENERGY LABEL	E	
ES	MATERIALES Metal / Cerámica	
ACABADOS	Metal Negro mate Blanco Mate Oro Mate Oro Brillo Cromo Niquel Satinado	Cerámica (Pintado a mano) Consultar paleta de colores.
ESPECIFICACIONES (UE)	E27 max. 15W (No incluida) 220-240 V, 50/60 Hz	
BOMBILLA RECOMENDADA	B211 9W (Regulable) + Regulador Consultar tabla de precios	
CLASIFICACIÓN ENERGÉTICA	E	



IP20 CE RoHS

* Image shade 801128/41 not included/
Pantalla imagen 801128/41 no incluida



Ceramics color.
Make up



Ceramics: Nude

BAMBÚ

NAC146

AC Studio
Design 2025



Ceramics: Vintage brown

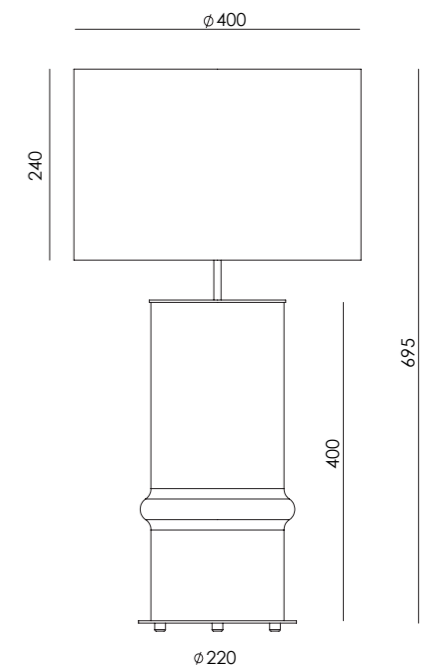
EN

MATERIALS	Metal / Ceramics	
FINISHES	Metal Matt black Matt White Matt Brass Shiny Gold Chrome Satin Niquel	Ceramics (hand painted) See colors palette.
SPECIFICATIONS (UE)	E27 Max. 15W (not included) 220-240V, 50/60 Hz	
RECOMMENDED BULB	B211 9W (Dimmable) + Dimmer. Consult price list	
ENERGY LABEL	E	

ES

MATERIALES	Metal / Cerámica	
ACABADOS	Metal Negro mate Blanco Mate Oro Mate Oro Brillo Cromo Niquel Satinado	Cerámica (Pintado a mano) Consultar paleta de colores.
ESPECIFICACIONES (UE)	E27 max. 15W (No incluida) 220-240 V, 50/60 Hz	
BOMBILLA RECOMENDADA	B211 9W (Regulable) + Regulador Consultar tabla de precios	
CLASIFICACIÓN ENERGÉTICA	E	

ICONS



* Image shade 801129/41 not included/
Pantalla imagen 801129/41 no incluida



Ceramics: Honey

BAMBÚ

NAC146/2

AC Studio
Design 2026

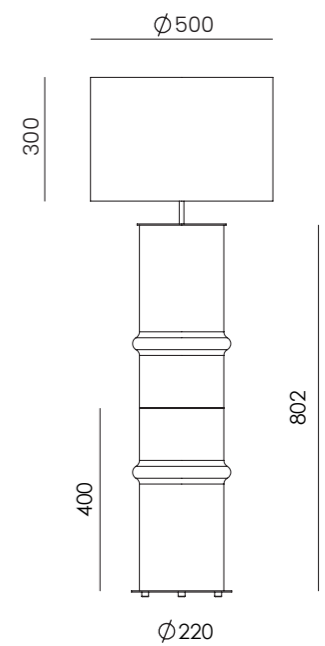


Ceramics: Green tea

EN	MATERIALS Metal / Ceramics	
	FINISHES	Ceramics (hand painted) See colors palette.
	Matt black Matt White Matt Brass Shiny Gold Chrome Satin Niquel	
	SPECIFICATIONS (UE)	E27 Max. 15W (not included) 220-240V, 50/60 Hz
	DIMMABLE OPTIONS	B211 9W (Dimmable) + Dimmer. Consult price list
	ENERGY LABEL	E

ES	MATERIALES Metal / Cerámica	
	ACABADOS	Cerámica (Pintado a mano) Consultar paleta de colores.
	Negro mate Blanco Mate Oro Mate Oro Brillo Cromo Niquel Satinado	
	ESPECIFICACIONES (UE)	E27 max. 15W (No incluida) 220-240 V, 50/60 Hz
	POSIBILIDAD DE REGULACIÓN	B211 9W (Regulable) + Regulador Consultar tabla de precios
	CLASIFICACIÓN ENERGÉTICA	E

ICONS



* Image shade 1251/BCO not included/
Pantalla imagen 1251/BCO no incluida

SYAL

NAC145

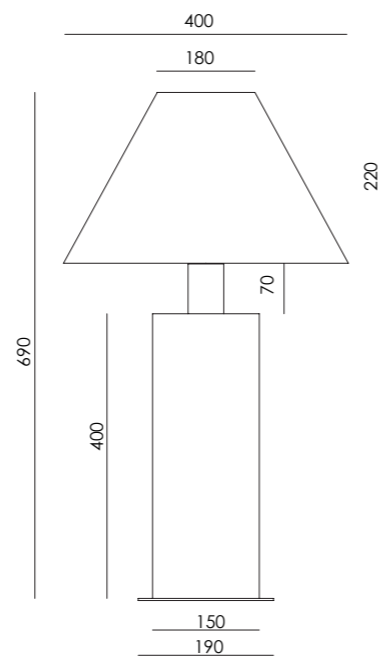
AC Studio
Design 2025



Colour ceramics:
Saphire

EN	MATERIALS Metal /Ceramics		
FINISHES	Metal Matt black Matt white Matt brass	Shiny gold Chrome Níquel	Ceramics See colour palette
SPECIFICATIONS (UE)	E27 max. 15W LED (Not included) 220-240V, 50/60 Hz		
DIMMABLE OPTIONS	B211 9W (Dimmable) + Dimmer: Consult price list		
ENERGY LABEL	E		

ES	MATERIALES Metal / Cerámica		
ACABADOS	Metal Negro mate Blanco mate Oro mate	Oro brillo Cromo Níquel	Cerámica Consultar paleta de colores
ESPECIFICACIONES (UE)	E27 max. 15W LED (No incluida) 220-240V, 50/60 Hz		
POSIBILIDAD DE REGULACIÓN	B211 9W (Regulable) + Regulador Consultar tabla de precios		
CLASIFICACIÓN ENERGÉTICA	E		



* Image shade 161011/40 not included/
Pantalla imagen 161011/40 no incluida

ICONS



Colour ceramics:
Green Leaf

OLAS

NAC144

AC Studio
Design 2025



Metal: Matt brass
Glass: Taupe
Marble: Black

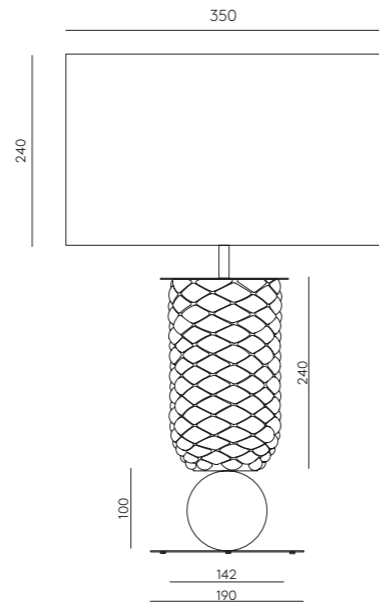
EN

MATERIALS	Metal / Glass / Marble		
FINISHES	Metal Matt black Matt white Nickel	Matt brass Shiny gold Chrome	Glass See colour palette Marble Black / White / Green / Brown
SPECIFICATIONS (UE)	E27 max. 15W LED (Not included) 220-240V, 50/60 Hz		
DIMMABLE OPTION	B211 9W (Dimmable) + Dimmer: Consult price list		
ENERGY LABEL	E		

ES

MATERIALES	Metal / Vidrio / Mármol		
ACABADOS	Metal Negro mate Blanco mate Níquel satinado	Oro mate Oro brillo Cromo	Vidrio Consultar paleta de colores Mármol Negro/ Blanco/ Verde/Marrón
ESPECIFICACIONES (UE)	E27 max. 15W LED (No incluida) 220-240V, 50/60 Hz		
POSIBILIDAD DE REGULACIÓN	B211 9W (Regulable) + Regulador Consultar tabla de precios		
CLASIFICACIÓN ENERGÉTICA	E		

ICONS



* Image shade 801011/36 not included/
Pantalla imagen 801011/36 no incluida



Colour ceramics:
Vintage Brown

MAPI

NAC143



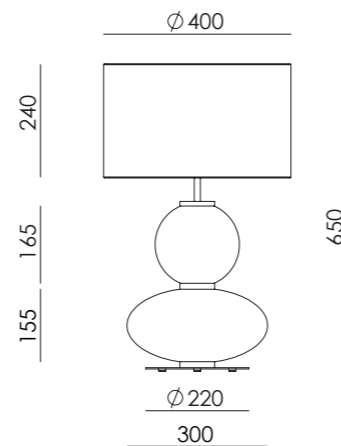
Colour glass:
Banana Green
Nude

AC Studio
Design 2024



MATERIALS	Metal / Glass	
FINISHES	Metal Matt black	Glass See colour palette p.484 Washers Matt black
SPECIFICATIONS (UE)	E27 max. 15W LED (Not included) 220-240V, 50/60 Hz	
DIMMABLE OPTION	B211 9W (Dimmable) + Dimmer: Consult price list	
ENERGY LABEL	E	

MATERIALES	Metal / Vidrio	
ACABADOS	Metal Negro mate	Vidrio Consultar paleta de colores p.484 Arandelas Negro mate
ESPECIFICACIONES (UE)	E27 max. 15W LED (No incluida) 220-240V, 50/60 Hz	
POSIBILIDAD DE REGULACIÓN	B211 9W (Regulable) + Regulador Consultar tabla de precios	
CLASIFICACIÓN ENERGÉTICA	E	



ICONS



* Image shade 4025 not included/
Pantalla imagen 4025 no incluida

PAPI

NAC142



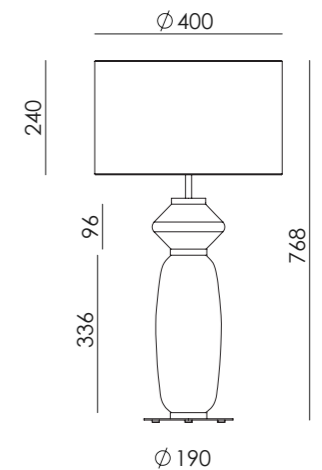
Colour glass:
Fresh Pasta
Terracota

AC Studio
Design 2024



MATERIALS	Metal / Glass	
FINISHES	Metal Matt black	Glass See colour palette p.484 Washers Matt black
SPECIFICATIONS (UE)	E27 max. 15W LED (Not included) 220-240V, 50/60 Hz	
DIMMABLE OPTION	B211 9W (Dimmable) + Dimmer: Consult price list	
ENERGY LABEL	E	

MATERIALES	Metal / Vidrio	
ACABADOS	Metal Negro mate	Vidrio Consultar paleta de colores p.484 Arandelas Negro mate
ESPECIFICACIONES (UE)	E27 max. 15W LED (No incluida) 220-240V, 50/60 Hz	
POSIBILIDAD DE REGULACIÓN	B211 9W (Regulable) + Regulador Consultar tabla de precios	
CLASIFICACIÓN ENERGÉTICA	E	



ICONS



* Image shade 801021/41 not included/
Pantalla imagen 801021/41 no incluida

Colour ceramics.
Make Up



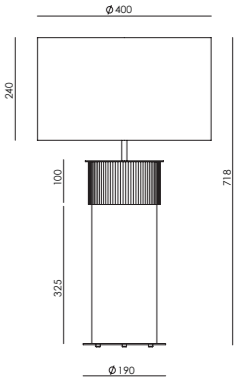
ROCK

NAC141/L



* Image shade 801021/41 not included/
Pantalla imagen 801021/41 no incluida

Colour ceramics:
Chocolate



AC Studio
Design 2024

EN			
MATERIALS	Metal / Ceramic / Glass		
FINISHES	Metal Matt black Matt white Matt brass	Shiny gold Chrome Satin Nickel	Ceramics & Glass See colour palette p.484
SPECIFICATIONS (UE)	E27 max. 15W LED (Not included) 220-240V, 50/60 Hz		
DIMMABLE OPTION	B211 9W (Dimmable) + Dimmer: Consult price list		
ENERGY LABEL	E		

ICONS



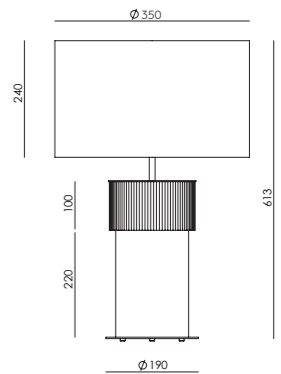
ROCK

NAC141/S



* Image shade 801130/36 not included/
Pantalla imagen 801130/36 no incluida

Colour ceramics:
Maquillaje



AC Studio
Design 2024

EN			
MATERIALS	Metal / Ceramic / Glass		
FINISHES	Metal Matt black Matt white Matt brass	Shiny gold Chrome Satin Nickel	Ceramics & Glass See colour palette p.484
SPECIFICATIONS (UE)	E27 max. 15W LED (Not included) 220-240V, 50/60 Hz, IP20		
DIMMABLE OPTION	B211 9W (Dimmable) + Dimmer: Consult price list		
ENERGY LABEL	E		

ICONS



PIRE

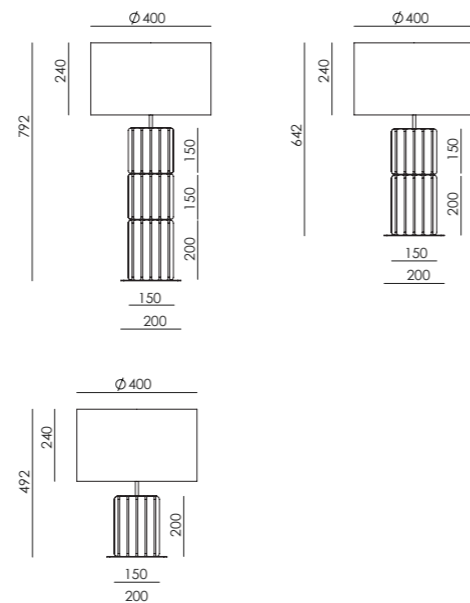
NAC140

AC Studio
Design 2025



Colour ceramics:
Pale Pink · Make Up · Terracotta

EN	MATERIALS Metal / Ceramic	
FINISHES	Metal Matt black Matt white Matt brass Shiny gold	Chrome Satin nickel Ceramics See colour palette p. 484
SPECIFICATIONS (UE)	E27 max. 15W LED (Not included) 220-240V, 50/60 Hz, IP20	
DIMMABLE OPTION	B211 9W (Dimmable) + Dimmer: Consult price list	
ENERGY LABEL	E	
ES	MATERIALES Metal / Cerámica	
ACABADOS	Metal Negro mate Blanco mate Oro mate Oro brillo	Cromo Níquel satinado Cerámica Consultar paleta de colores p.484
ESPECIFICACIONES (UE)	E27 max. 15W LED (No incluida) 220-240V, 50/60 Hz, IP20	
POSIBILIDAD DE REGULACIÓN	B211 9W (Regulable) + Regulador Consultar tabla de precios	
CLASIFICACIÓN ENERGÉTICA	E	



ICONS



* Shade 801011/41 not included /
pantalla 801011/41 no incluida



Colour ceramics:
Zafiro



Colour ceramics:
Vintage Brown

AMEC

NAC139

AC Studio
Design 2025

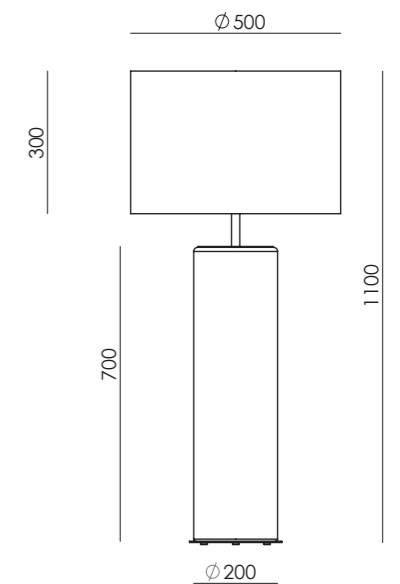


Colour ceramics:
Persimon

EN	MATERIALS	Metal / Ceramic										
	FINISHES	<table border="0"> <tr> <td>Metal</td> <td>Chrome</td> </tr> <tr> <td>Matt black</td> <td>Satin nickel</td> </tr> <tr> <td>Matt white</td> <td>Ceramics</td> </tr> <tr> <td>Matt brass</td> <td>See colour palette p.484</td> </tr> <tr> <td>Shiny gold</td> <td></td> </tr> </table>	Metal	Chrome	Matt black	Satin nickel	Matt white	Ceramics	Matt brass	See colour palette p.484	Shiny gold	
Metal	Chrome											
Matt black	Satin nickel											
Matt white	Ceramics											
Matt brass	See colour palette p.484											
Shiny gold												
	SPECIFICATIONS (UE)	E27 max. 15W LED (Not included) 220-240V, 50/60 Hz										
	DIMMABLE OPTION	B211 9W (Dimmable) + Dimmer: Consult price list										
	ENERGY LABEL	E										

ES	MATERIALES	Metal / Cerámica										
	ACABADOS	<table border="0"> <tr> <td>Metal</td> <td>Cromo</td> </tr> <tr> <td>Negro mate</td> <td>Níquel satinado</td> </tr> <tr> <td>Blanco mate</td> <td>Cerámica</td> </tr> <tr> <td>Oro mate</td> <td>Consultar paleta de colores</td> </tr> <tr> <td>Oro brillo</td> <td>p.484</td> </tr> </table>	Metal	Cromo	Negro mate	Níquel satinado	Blanco mate	Cerámica	Oro mate	Consultar paleta de colores	Oro brillo	p.484
Metal	Cromo											
Negro mate	Níquel satinado											
Blanco mate	Cerámica											
Oro mate	Consultar paleta de colores											
Oro brillo	p.484											
	ESPECIFICACIONES (UE)	E27 max. 15W LED (No incluida) 220-240V, 50/60 Hz										
	POSIBILIDAD DE REGULACIÓN	B211 9W (Regulable) + Regulador Consultar tabla de precios										
	CLASIFICACIÓN ENERGÉTICA	E										

ICONS



* Image shade 1251 not included/
Pantalla imagen 1251 no incluida

LOPO

NAC137



Colour ceramics: Taupe

AC Studio
Design 2024

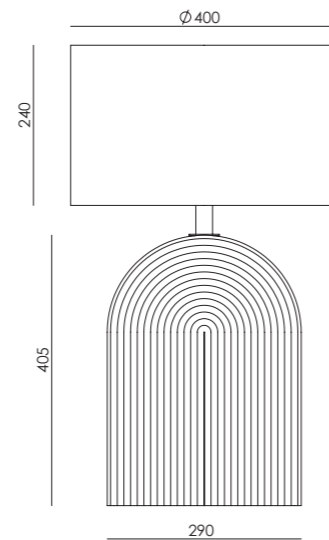


EN

MATERIALS	Metal / Ceramics		
FINISHES	Metal Matt Black Matt White Matt Brass	Shiny Gold Chrome Satin Nickel	Ceramic (Hand painted) See colors palette p.484
SPECIFICATIONS (UE)	E27 Max. 15W (not included) 220-240 V 50/60 Hz		
DIMMABLE OPTION	B211 9W (Dimmable) + Dimmer Consult price list		
ENERGY LABEL	E		

ES

MATERIALES	Metal / Cerámica		
ACABADOS	Metal Negro Mate Blanco Mate Oro Mate Oro Brillo Cromo Níquel Satinado		Cerámica (Pintado a mano) Consultar paleta de colores p.484
ESPECIFICACIONES (UE)	E27 Max. 15W (no incluida) 220-240 V 50/60 Hz		
POSIBILIDAD DE REGULACIÓN	B211 9W (Regulable) + Regulador Consultar tarifa de precios		
CLASIFICACIÓN ENERGÉTICA	E		



ICONS



* Image shade 801011/41 not included/
Pantalla imagen 801011/41 no incluida



Colour ceramics: Green leaf



Colour ceramics:
Taupe

DENA

NAC136

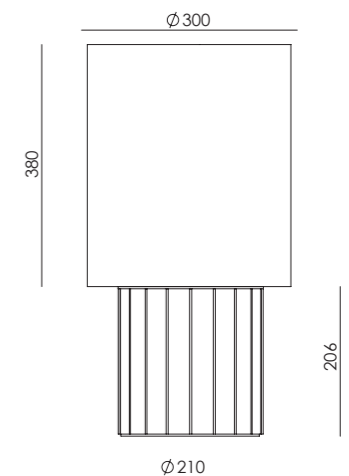
AC Studio
Design 2024



Colour ceramics:
Orange Maison

EN	MATERIALS Metal / Ceramics		
	FINISHES	Metal Matt Black Matt White Matt Brass Shiny Gold	Ceramic (Hand painted) See colour palette p.484
	DIMMABLE OPTION	B211 9W (Dimmable) + Dimmer Consult price list	
	SPECIFICATIONS (UE)	E27 Max. 15W (not included) 220-240 V, 50/60 Hz	
	ENERGY LABEL	E	

ES	MATERIALES Metal / Cerámica		
	ACABADOS	Metal Negro Mate Blanco mate Oro mate Oro brillo	Cerámica (Pintada a mano) Consultar paleta de colores p.484
	POSIBILIDAD DE REGULACIÓN	B211 9W (Regulable) + Regulador Consultar tarifa de precios	
	ESPECIFICACIONES (UE)	E27 Max. 15W (no incluida) 220-240 V, 50/60 Hz	
	CLASIFICACIÓN ENERGÉTICA	E	



ICONS



* Image shade 136011 not included/
Pantalla imagen 136011 no incluida



Colour glass:
Make up

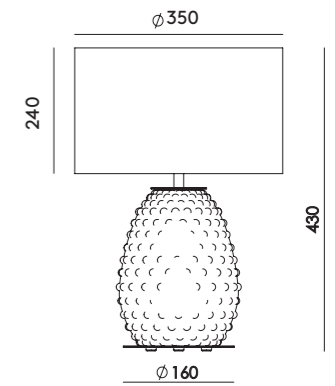
CACTUS

NAC135



* Image shade 801011/36 not included/
Pantalla imagen 801011/36 no incluida

Colour glass:
Sapphire



AC Studio
Design 2024

EN		
MATERIALS	Metal / Glass	
FINISHES	Metal Matt Black Matt White Matt Brass Shiny Gold	Chrome Satin Nickel Glass (Hand painted) See colour palette p.484
DIMMABLE OPTION	B211 9W (Dimmable) + Dimmer Consult price list	
SPECIFICATIONS (UE)	E27 Max. 15W (not included) 220-240 V, 50/60 Hz	
ENERGY LABEL	E	

ICONS IP20 CE

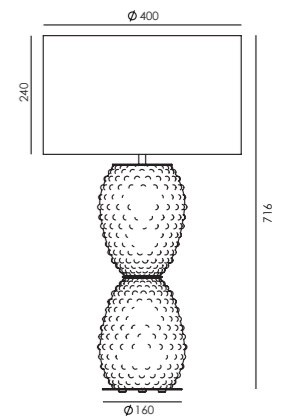
CACTUS

NAC135/2



* Image shade 801011/41 not included/
Pantalla imagen 801011/41 no incluida

Colour glass:
Up Nude
Down Vintage Brown



AC Studio
Design 2024

EN		
MATERIALS	Metal / Glass	
FINISHES	Metal Matt Black Matt White Matt Brass Shiny Gold	Chrome Satin Nickel Glass (Hand painted) See colour palette p.484
DIMMABLE OPTION	B211 9W (Dimmable) + Dimmer Consult price list	
SPECIFICATIONS (UE)	E27 Max. 15W (not included) 220-240 V, 50/60 Hz	
ENERGY LABEL	E	

ICONS IP20 CE

LUET

NAC132

AC Studio
Design 2023



Colour glass:
Green leaf

EN

MATERIALS	Metal / Glass		
	Metal	Shiny Gold Chrome Satin Nickel	Glass (Hand painted) See colors palette p.484

SPECIFICATIONS (UE)	E27 Max. 15 W (not included) 220-240 V, 50/60 Hz
----------------------------	---

DIMMABLE OPTION	B211 9W (Dimmable) + Dimmer Consult price list
------------------------	---

ENERGY LABEL	E
---------------------	---

ES

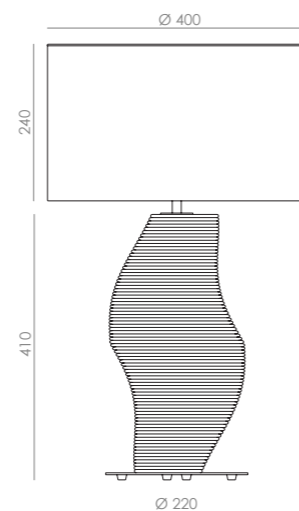
MATERIALES	Metal / Vidrio	
ACABADOS	Metal Negro Mate Blanco Mate Oro Mate Oro Brillo Cromo Níquel Satinado	Vidrio (Pintado a mano) Consultar paleta de colores p.484

ESPECIFICACIONES (UE)	E27 Max. 15 W (no incluida) 220-240 V, 50/60 Hz
------------------------------	--

POSIBILIDAD DE REGULACIÓN	B211 9W (Regulable) + Regulador Consultar tarifa de precios
----------------------------------	--

CLASIFICACIÓN ENERGÉTICA	E
---------------------------------	---

ICONS



* Image shade 801011/41 not included/
Pantalla imagen 801011/41 no incluida



Colour glass:
Silhouette

URAL

NAC131



Colour ceramics:
Nude

AC Studio
Design 2023



EN

MATERIALS Metal / Ceramics

FINISHES

Metal	Shiny Gold	Ceramics
Matt Black	Chrome	(Hand painted)
Matt White	Satin	See colors palette
Matt Brass	Nickel	p.484

SPECIFICATIONS (UE) E27 Max. 15 W (not included) 220-240 V, 50/60 Hz

DIMMABLE OPTION B211 9W (Dimmable) + Dimmer Consult price list

ENERGY LABEL E

ES

MATERIALES Metal / Cerámica

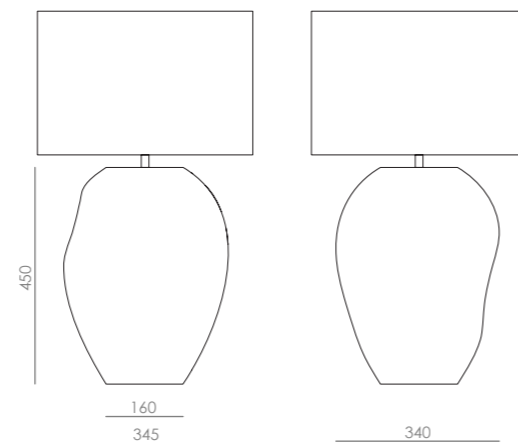
ACABADOS

Metal	Cerámica
Negro Mate	(Pintado a mano)
Blanco Mate	Consultar paleta de
Oro Mate	colores p.484
Oro Brillo	
Cromo	
Níquel Satinado	

ESPECIFICACIONES (UE) E27 Max. 15 W (no incluida) 220-240 V, 50/60 Hz

POSIBILIDAD DE REGULACIÓN B211 9W (Regulable) + Regulador Consultar tarifa de precios

CLASIFICACIÓN ENERGÉTICA E



ICONS



* Image shade 801128/41 not included/
Pantalla imagen 801128/41 no incluida

ONUT

NAC130



Colour ceramics:
Night blue

AC Studio
Design 2023



EN

MATERIALS Metal / Ceramic

FINISHES

Metal	Chrome
Matt Black	Nickel
Matt White	
Matt Brass	Ceramic (Hand-painted)
Shiny Gold	Consultar paleta de colores

SPECIFICATIONS (UE) E27 Max. 15W LED (not included) 220-240V, 50/60Hz

ENERGY LABEL E

DIMMER POSSIBILITY B211 9W (Dimmable) + Dimmer

ES

MATERIALES Acero / Cerámica

ACABADOS

Metal	Cromo
Negro	Níquel
Blanco	
Oro mate	Cerámica (Pintada a mano)
Oro brillo	Consultar paleta de colores

ESPECIFICACIONES (UE) E27 Max. 15W LED (no incluida) 220-240 V, 50/60 Hz

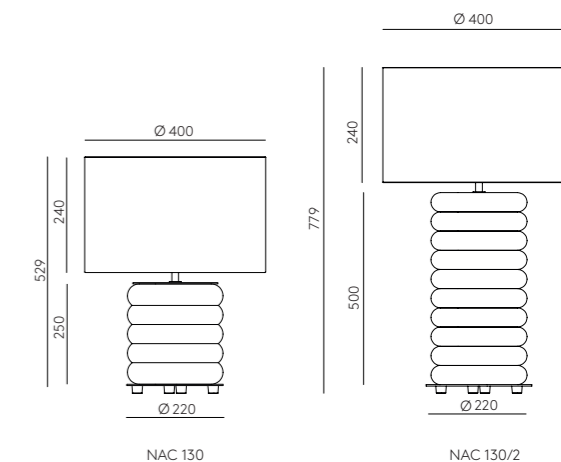
CLASIFICACIÓN ENERGÉTICA E

POSIBILIDAD REGULACIÓN B211 9W (Regulable) + Regulador

ICONS



* Image shade 801011/41 not included/
Pantalla imagen 801011/41 no incluida



BORA

NAC129

AC Studio
Design 2022



Colour ceramics:
Green leaf ceramic
Matt black metal

EN MATERIALS Glass / Steel or ceramics / Synthetic leather

FINISHES

Steel	Glass
Matt Black	Curly transparent
Matt Brass	Synthetic leather
Ceramics	Brown
See color palette	

SPECIFICATIONS (UE) Led plate 3W 3000K 300lm (included)
5V/2A Battery 4800mAh, 50/60 Hz
Touch me - Dimmable
Portable and rechargeable
Charger and cable included

ENERGY LABEL F

ES MATERIALES Vidrio / Metal o Cerámica / Cuero Sintético

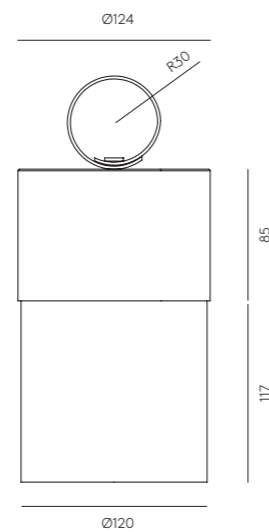
ACABADOS

Metal	Vidrio
Negro mate	Transparente rizado
Oro mate	Cuero Sintético
Cerámica	Marrón
Consultar paleta de colores	

ESPECIFICACIONES (UE) Placa Led 3W 3000K 300lm (incluida)
5V/2A Bateria 4800mAh, 50/60 Hz
Touch me - Regulable
Portatil y recargable
Cargador y cable incluido

CLASIFICACIÓN ENERGÉTICA F

ICONS IP65 CE





Colour ceramics:
Nude

TILLA

NAC128

Agus Gascón
Design 2022

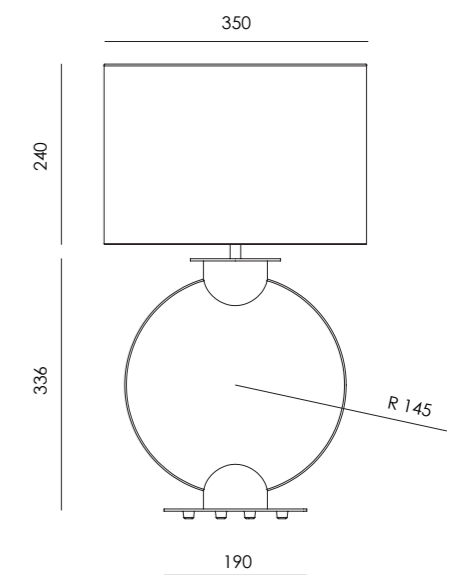


Colour glass:
Saphire

EN	MATERIALS Metal / Glass		
	FINISHES	Metal Matt black Matt white Matt Brass	Glass (Hand painted) Shiny gold Chrome Nickel See colors palette p.484
	SPECIFICATIONS (UE)	E27 max. 15W Max. (Not included) 220-240V, 50/60Hz	
	ENERGY LABEL	E	

ES	MATERIALES Metal / Vidrio		
	ACABADOS	Metal Negro Mate Blanco Mate Oro Mate Oro Brillo Cromo Niquel	Vidrio (Pintado a mano) Consultar paleta de colores p.484
	ESPECIFICACIONES (UE)	E27 máx. 15 W máx. (No incluido) 220-240 V, 50/60 Hz	
	CLASIFICACIÓN ENERGÉTICA	E	

ICONS



* Shade 801011/36 not included/
Pantalla 801011/36 no incluida

DAB

NAC127



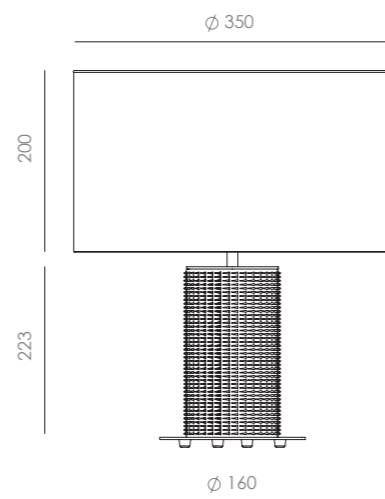
Colour ceramics:
Taupe

AC Studio
Design 2022



EN	MATERIALS Metal / Ceramics		
FINISHES	Metal Matt Black Matt White Matt Brass	Shiny Gold Chrome Satin Nickel	Ceramic (Hand painted) See colour palette p.484
DIMMABLE OPTION	B211 9W (Dimmable) + Dimmer Consult price list		
SPECIFICATIONS (UE)	E27 Max. 15W (not included) 220-240 V, 50/60 Hz		
ENERGY LABEL	E		

ES	MATERIALES Metal / Cerámica		
ACABADOS	Metal Negro Mate White mate Oro mate	Oro brillo Cromo Níquel satinado	Cerámica (Pintada a mano) Consultar paleta de colores p.484
POSIBILIDAD DE REGULACIÓN	B211 9W (Regulable) + Regulador Consultar tarifa de precios		
ESPECIFICACIONES (UE)	E27 Max. 15W (no incluida) 220-240 V, 50/60 Hz		
CLASIFICACIÓN ENERGÉTICA	E		



* Image shade 801011/35 not included/
Pantalla imagen 801011/35 no incluida



GOT

NAC125



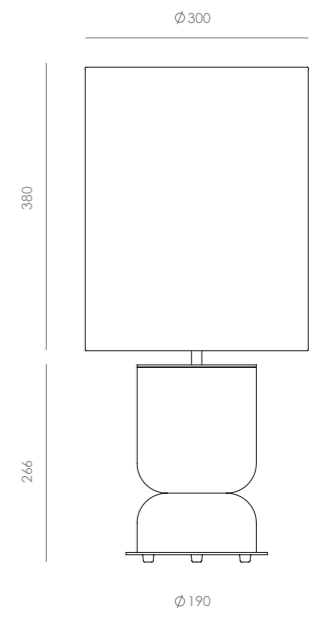
Colour glass:
Chocolate brown

AC Studio
Design 2022



EN	MATERIALS Metal / Glass		
FINISHES	Metal Matt Black Matt White Matt Brass	Shiny Gold Chrome Satin Nickel	Glass (Hand painted) See colors palette p.484
SPECIFICATIONS (UE)	E27 Max. 15 W (not included) 220-240 V, 50/60 Hz		
DIMMABLE OPTION	B211 9W (Dimmable) + Dimmer Consult price list		
ENERGY LABEL	E		

ES	MATERIALES Metal / Vidrio		
ACABADOS	Metal Negro Mate Blanco Mate Oro Mate Oro Brillo Cromo Níquel Satinado	Vidrio (Pintado a mano) Consultar paleta de colores p.484	
ESPECIFICACIONES (UE)	E27 Max. 15 W (no incluida) 220-240 V, 50/60 Hz		
POSIBILIDAD DE REGULACIÓN	B211 9W (Regulable) + Regulador Consultar tarifa de precios		
CLASIFICACIÓN ENERGÉTICA	E		



* Shade 801031/32 not included/
Pantalla 801031/32 no incluida



ICONS

COPO

NAC124

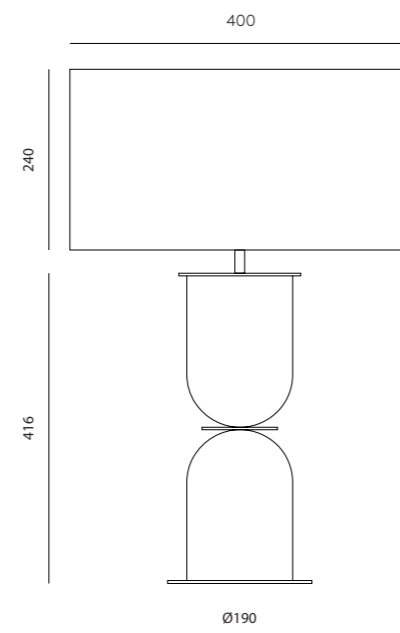
Pepe Fornas
Design 2021



Colour ceramics:
Mola green & Vintage brown

EN	MATERIALS Metal / Ceramics		
FINISHES	Metal Matt Black Matt White Matt Brass	Shiny Gold Chrome Satin Nickel	Ceramic (Hand painted) See colour palette p.484
DIMMABLE OPTION	B211 9W (Dimmable) + Dimmer Consult price list		
SPECIFICATIONS (UE)	E27 Max. 15W (not included) 220-240 V, 50/60 Hz		
ENERGY LABEL	E		

ES	MATERIALES Metal / Cerámica		
ACABADOS	Metal Negro Mate Blanco mate Oro mate	Oro brillo Cromo Níquel satinado	Cerámica (Pintada a mano) Consultar paleta de colores p.484
POSIBILIDAD DE REGULACIÓN	B211 9W (Regulable) + Regulador Consultar tarifa de precios		
ESPECIFICACIONES (UE)	E27 Max. 15W (no incluida) 220-240 V, 50/60 Hz		
CLASIFICACIÓN ENERGÉTICA	E		



ICONS IP20 CE ENEC A++

* Image shade 801011/41 not included/
Pantalla imagen 801011/41 no incluida



Colour ceramics:
Terracota & Ash grey



Colour ceramics:
Green leaf

ADON

NAC119



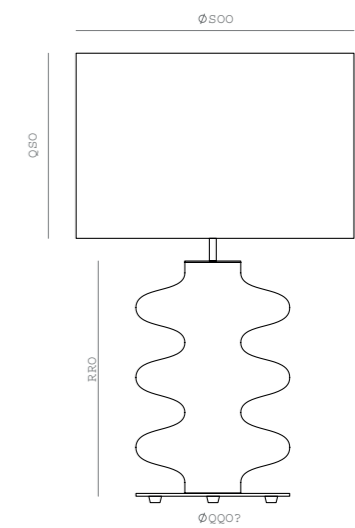
Colour ceramics:
Terracotta

AC Studio
Design 2020



EN	MATERIALS Metal / Ceramics		
	FINISHES	Metal Matt Black Matt White Matt Brass	Ceramic (Hand painted) Shiny Gold Chrome Satin Nickel See colour palette p.484
	DIMMABLE OPTION	B211 9W (Dimmable) + Dimmer Consult price list	
	SPECIFICATIONS (UE)	E27 Max. 15W (not included) 220-240 V, 50/60 Hz	
	ENERGY LABEL	E	

ES	MATERIALES Metal / Cerámica		
	ACABADOS	Metal Negro Mate Blanco mate Oro mate	Cerámica (Pintada a mano) Oro brillo Cromo Níquel satinado Consultar paleta de colores p.484
	POSIBILIDAD DE REGULACIÓN	B211 9W (Regulable) + Regulador Consultar tarifa de precios	
	ESPECIFICACIONES (UE)	E27 Max. 15W (no incluida) 220-240 V, 50/60 Hz	
	CLASIFICACIÓN ENERGÉTICA	E	



ICONS



* Shade 801021/41 not included/
Pantalla 801021/41 no incluida

METRIC

NAC117



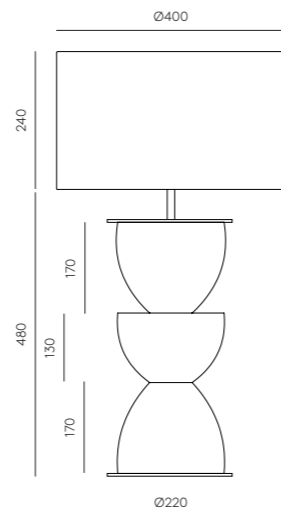
Colour ceramics:
Aventurine Green

Pepe Fornas
Design 2019



MATERIALS	Metal / Ceramics												
FINISHES	<table border="1"> <tr> <th>Metal</th> <th>Shiny Gold</th> <th>Ceramic (Hand painted)</th> </tr> <tr> <td>Matt Black</td> <td>Chrome</td> <td>See colour palette p.484</td> </tr> <tr> <td>Matt White</td> <td>Satin Nickel</td> <td></td> </tr> <tr> <td>Matt Brass</td> <td></td> <td></td> </tr> </table>	Metal	Shiny Gold	Ceramic (Hand painted)	Matt Black	Chrome	See colour palette p.484	Matt White	Satin Nickel		Matt Brass		
Metal	Shiny Gold	Ceramic (Hand painted)											
Matt Black	Chrome	See colour palette p.484											
Matt White	Satin Nickel												
Matt Brass													
DIMMABLE OPTION	B211 9W (Dimmable) + Dimmer Consult price list												
SPECIFICATIONS (UE)	E27 Max. 15W (not included) 220-240 V, 50/60 Hz												
ENERGY LABEL	E												

MATERIALES	Metal / Cerámica												
ACABADOS	<table border="1"> <tr> <th>Metal</th> <th>Oro brillo</th> <th>Cerámica (Pintada a mano)</th> </tr> <tr> <td>Negro mate</td> <td>Cromo</td> <td>Consultar paleta de colores p.484</td> </tr> <tr> <td>Blanco mate</td> <td>Níquel satinado</td> <td></td> </tr> <tr> <td>Oro mate</td> <td></td> <td></td> </tr> </table>	Metal	Oro brillo	Cerámica (Pintada a mano)	Negro mate	Cromo	Consultar paleta de colores p.484	Blanco mate	Níquel satinado		Oro mate		
Metal	Oro brillo	Cerámica (Pintada a mano)											
Negro mate	Cromo	Consultar paleta de colores p.484											
Blanco mate	Níquel satinado												
Oro mate													
POSIBILIDAD DE REGULACIÓN	B211 9W (Regulable) + Regulador Consultar tarifa de precios												
ESPECIFICACIONES (UE)	E27 Max. 15W (no incluida) 220-240 V, 50/60 Hz												
CLASIFICACIÓN ENERGÉTICA	E												



* image reference shade 801011/41 not included/
Pantalla imagen 801011/41 no incluida



SONICA

NAC116

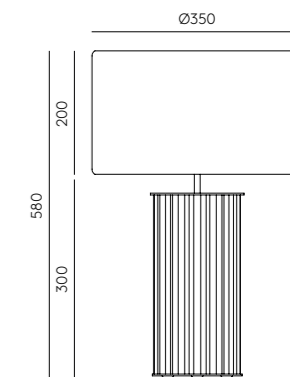


Colour ceramics:
Nude

* image reference shade 801021/35 not included/
Pantalla imagen 801021/35 no incluida

AC Studio
Design 2019

MATERIALS	Metal / Ceramics												
FINISHES	<table border="1"> <tr> <th>Metal</th> <th>Shiny Gold</th> <th>Ceramic (Hand painted)</th> </tr> <tr> <td>Matt Black</td> <td>Chrome</td> <td>See colour palette p.484</td> </tr> <tr> <td>Matt White</td> <td>Satin Nickel</td> <td></td> </tr> <tr> <td>Matt Brass</td> <td></td> <td></td> </tr> </table>	Metal	Shiny Gold	Ceramic (Hand painted)	Matt Black	Chrome	See colour palette p.484	Matt White	Satin Nickel		Matt Brass		
Metal	Shiny Gold	Ceramic (Hand painted)											
Matt Black	Chrome	See colour palette p.484											
Matt White	Satin Nickel												
Matt Brass													
DIMMABLE OPTION	B211 9W (Dimmable) + Dimmer Consult price list												
SPECIFICATIONS (UE)	E27 Max. 15W (not included) 220-240 V, 50/60 Hz												
ENERGY LABEL	E												



ONICA

NAC114

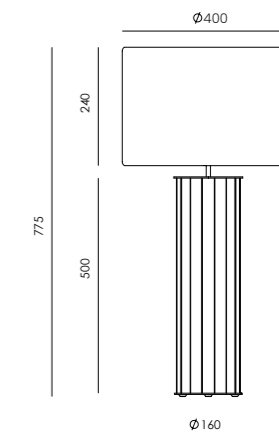


Colour ceramics:
Vintage brown

* image reference shade 801011/41 not included/
Pantalla imagen 801011/41 no incluida

AC Studio
Design 2019

MATERIALS	Metal / Ceramic / Glass												
FINISHES	<table border="1"> <tr> <th>Metal</th> <th>Shiny gold</th> <th>Ceramics & Glass</th> </tr> <tr> <td>Matt black</td> <td>Chrome</td> <td>See colour palette p.484</td> </tr> <tr> <td>Matt white</td> <td>Satin Nickel</td> <td></td> </tr> <tr> <td>Matt brass</td> <td></td> <td></td> </tr> </table>	Metal	Shiny gold	Ceramics & Glass	Matt black	Chrome	See colour palette p.484	Matt white	Satin Nickel		Matt brass		
Metal	Shiny gold	Ceramics & Glass											
Matt black	Chrome	See colour palette p.484											
Matt white	Satin Nickel												
Matt brass													
SPECIFICATIONS (UE)	E27 max. 15W LED (Not included) 220-240V, 50/60 Hz												
DIMMABLE OPTION	B211 9W (Dimmable) + Dimmer: Consult price list												
ENERGY LABEL	E												





Colour glass:
Silver moon

ATINA

NAC115



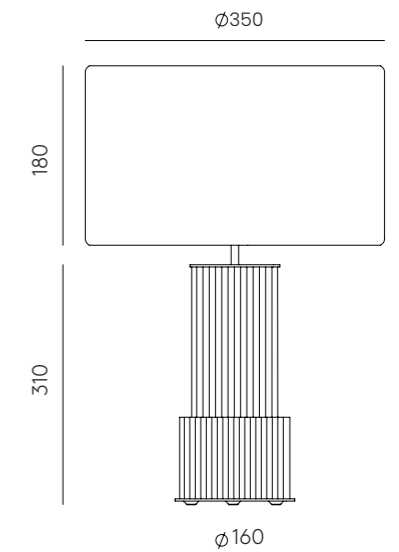
Colour glass:
Mola green

AC Studio
Design 2019



EN	MATERIALS Metal / Glass		
	FINISHES	Metal Matt Black Matt White Matte Brass	Shiny Gold Chrome Satin Nickel
			Glass (Hand painted) See colors palette p.484
	SPECIFICATIONS (UE)	E27 Max. 15 W (not included) 220-240 V, 50/60 Hz	
	DIMMABLE OPTION	B211 9W (Dimmable) + Dimmer Consult price list	
	ENERGY LABEL	E	
ES	MATERIALES Metal / Vidrio		
	ACABADOS	Metal Negro Mate Blanco Mate Oro Mate Oro Brillo Cromo Níquel Satinado	Vidrio (Pintado a mano) Consultar paleta de colores p.484
	ESPECIFICACIONES (UE)	E27 Max. 15 W (no incluida) 220-240 V, 50/60 Hz	
	POSIBILIDAD DE REGULACIÓN	B211 9W (Regulable) + Regulador Consultar tarifa de precios	
	CLASIFICACIÓN ENERGÉTICA	E	

ICONS



* Image shade 801011/35 not included/
Pantalla imagen 801011/35 no incluida

TARO

NAC113



Colour ceramics:
Green leaf

AC Studio
Design 2019

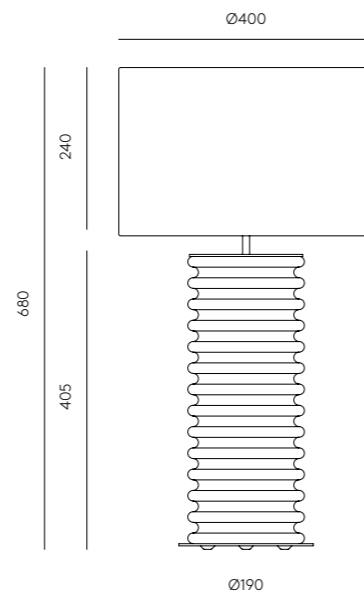


EN

MATERIALS	Metal / Ceramics		
FINISHES	Metal Matt Black Matt White Matt Brass	Shiny Gold Chrome Satin Nickel	Ceramic (Hand painted) See colour palette p.484
DIMMABLE OPTION	B211 9W (Dimmable) + Dimmer Consult price list		
SPECIFICATIONS (UE)	E27 Max. 15W (not included) 220-240 V, 50/60 Hz		
ENERGY LABEL	E		

ES

MATERIALES	Metal / Cerámica		
ACABADOS	Metal Negro mate Blanco mate Oro mate	Oro brillo Cromo Níquel satinado	Cerámica (Pintada a mano) Consultar paleta de colores p.484
POSIBILIDAD DE REGULACIÓN	B211 9W (Regulable) + Regulador Consultar tarifa de precios		
ESPECIFICACIONES (UE)	E27 Max. 15W (no incluida) 220-240 V, 50/60 Hz		
CLASIFICACIÓN ENERGÉTICA	E		



ICONS



* Image shade 801021/41 not included/
Pantalla imagen 801021/41 no incluida



Colour ceramics:
Cooper brown

NOA

NAC110



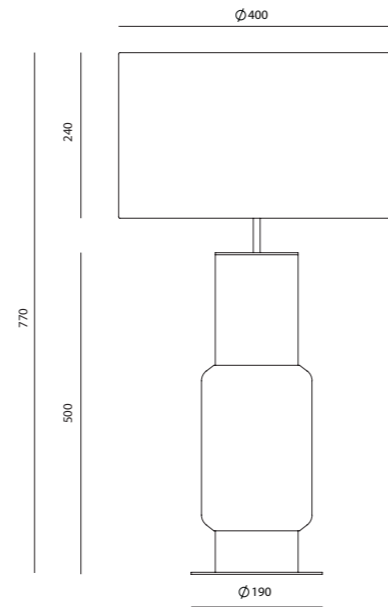
Colour glass:
Vintage brown

AC Studio
Design 2016



MATERIALS	Metal / Glass		
FINISHES	Metal Matt Black Matt White Matt Brass	Shiny Gold Chrome Satin Nickel	Glass (Hand painted) See colour palette p.484
DIMMABLE OPTION	B211 9W (Dimmable) + Dimmer Consult price list		
SPECIFICATIONS (UE)	E27 Max. 15W (not included) 220-240 V, 50/60 Hz		
ENERGY LABEL	E		

MATERIALES	Metal / Vidrio		
ACABADOS	Metal Negro Mate Blanco mate Oro mate	Oro brillo Cromo Níquel satinado	Vidrio (Pintada a mano) Consultar paleta de colores p.484
POSIBILIDAD DE REGULACIÓN	B211 9W (Regulable) + Regulador Consultar tarifa de precios		
ESPECIFICACIONES (UE)	E27 Max. 15W (no incluida) 220-240 V, 50/60 Hz		
CLASIFICACIÓN ENERGÉTICA	E		



* image reference shade 801011/41 not included/
Pantalla imagen 801011/41 no incluida



KITTA KITTA

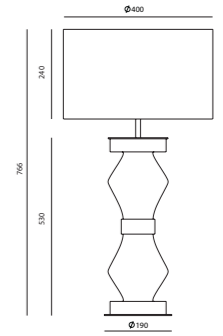
NAC108



Colour glass:
Up Brown sugar
Down Vintage brown

* image reference shade 801011/41 not included/
Pantalla imagen 801011/41 no incluida

AC Studio
Design 2016



MATERIALS	Metal / Glass / Leather		
FINISHES	Metal Matt Black Matt White Matt Brass	Shiny Gold Chrome Satin Nickel	Glass (Hand painted) See colors palette p.484
SPECIFICATIONS (UE)	E27 Max. 15 W (not included) 220-240 V, 50/60 Hz		
DIMMABLE OPTION	B211 9W (Dimmable) + Dimmer Consult price list		
ENERGY LABEL	E		



KITTA PONN

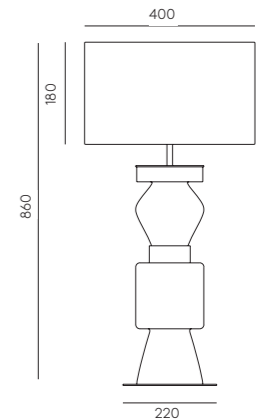
NAC107



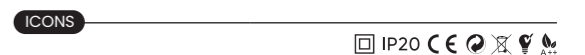
Colour glass:
Up Fresh pasta
Down Silver moon

* image reference shade 801011/40 not included/
Pantalla imagen 801011/40 no incluida

AC Studio
Design 2024



MATERIALS	Metal / Glass / Leather		
FINISHES	Metal Matt Black Matt White Matt Brass	Shiny Gold Chrome Satin Nickel	Glass (Hand painted) See colors palette p.484
SPECIFICATIONS (UE)	E27 Max. 15 W (not included) 220-240 V, 50/60 Hz		
DIMMABLE OPTION	B211 9W (Dimmable) + Dimmer Consult price list		
ENERGY LABEL	E		



PONN

NAC106



Colour glass:
Make up

AC Studio
Design 2016



LUSA

NAC104



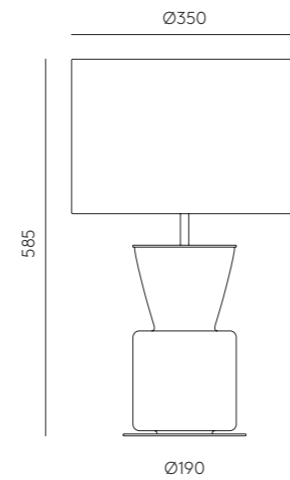
Colour glass:
Mexico blue

AC Studio
Design 2016



EN	MATERIALS Metal / Glass		
FINISHES	Metal Matt Black Matt White Matt Brass	Shiny Gold Chrome Satin Nickel	Glass (Hand painted) See colour palette p.484
DIMMABLE OPTION	B211 9W (Dimmable) + Dimmer Consult price list		
SPECIFICATIONS (UE)	E27 Max. 15W (not included) 220-240 V, 50/60 Hz		
ENERGY LABEL	E		

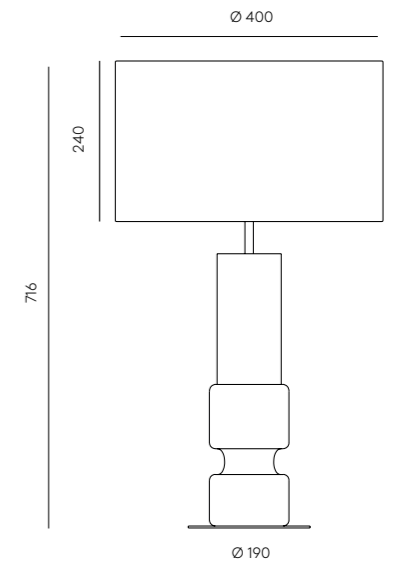
ES	MATERIALES Metal / Vidrio		
ACABADOS	Metal Negro Mate Blanco mate Oro mate	Oro brillo Cromo Niquel satinado	Vidrio (Pintado a mano) Consultar paleta de colores p.484
POSIBILIDAD DE REGULACIÓN	B211 9W (Regulable) + Regulador Consultar tarifa de precios		
ESPECIFICACIONES (UE)	E27 Max. 15W (no incluida) 220-240 V, 50/60 Hz		
CLASIFICACIÓN ENERGÉTICA	E		



* image reference shade 801011/36 not included/
Pantalla imagen 801011/36 no incluida

EN	MATERIALS Metal / Glass		
FINISHES	Metal Matt Black Matt White Matt Brass	Shiny Gold Chrome Satin Nickel	Glass (Hand painted) See colors palette p.484
SPECIFICATIONS (UE)	E27 Max. 15 W (not included) 220-240 V, 50/60 Hz		
DIMMABLE OPTION	B211 9W (Dimmable) + Dimmer Consult price list		
ENERGY LABEL	E		

ES	MATERIALES Metal / Vidrio		
ACABADOS	Metal Negro Mate Blanco Mate Oro Mate Oro Brillo Cromo Niquel Satinado	Vidrio (Pintado a mano) Consultar paleta de colores p.484	
ESPECIFICACIONES (UE)	E27 Max. 15 W (no incluida) 220-240 V, 50/60 Hz		
POSIBILIDAD DE REGULACIÓN	B211 9W (Regulable) + Regulador Consultar tarifa de precios		
CLASIFICACIÓN ENERGÉTICA	E		



* image reference shade 801011/41 not included/
Pantalla imagen 801011/41 no incluida

ICONS



ICONS



MELLY

NAC103

AC Studio
Design 2015



Colour glass:
Vintage brown

EN

MATERIALS Metal / Glass

FINISHES

Metal	Shiny Gold	Glass (Hand painted) See colors palette p.484
Matt Black	Chrome	
Matt White	Satin Nickel	
Matt Brass		

SPECIFICATIONS (UE) E27 Max. 15 W (not included)
220-240 V, 50/60 Hz

DIMMABLE OPTION B211 9W (Dimmable) + Dimmer
Consult price list

ENERGY LABEL E

ES

MATERIALES Metal / Vidrio

ACABADOS

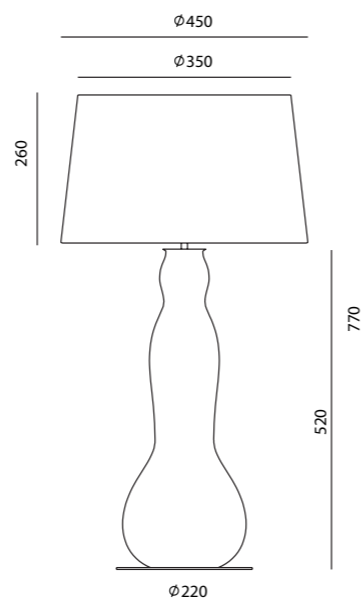
Metal	Vidrio (Pintado a mano)
Negro Mate	Consultar paleta de colores p.484
Blanco Mate	
Oro Mate	
Oro Brillo	
Cromo	
Níquel Satinado	

ESPECIFICACIONES (UE) E27 Max. 15 W (no incluida)
220-240 V, 50/60 Hz

POSIBILIDAD DE REGULACIÓN B211 9W (Regulable) + Regulador
Consultar tarifa de precios

CLASIFICACIÓN ENERGÉTICA E

ICONS



* Image shade 151011/45 not included/
Pantalla imagen 151011/45 no incluida



Colour glass
Mexico blue

Pendant

ALPHA	C1083	295	ERTO	C1257/5	254	NOOI	C1276	250
ANET	C1206	276	FLOW	C1339/6	172	NOON	T1278/3	304
ANZA	C1336/5	184	FLOW	C1339	174	NOON	T1278/1	305
ANZA	C1336	186	FOCUS	C1279	246	NOON	T1278	306
ARC	C1292	238	FOCUS	T1279	303	NURO	C1349	154
ATOM	C1214/8	274	GAMMA	C1081	297	NUMU	C1343	164
BALL	C1215	273	GEHIT	C1350/60	156	ONETA	C1299	232
BAMBÚ	C1087	290	GINA	C1334	190	OVALO	C1234	266
BELL	C1084	294	GINA	C1334/5	192	PAPI	C1233	264
BETA	C1082	296	GLAMM	C1130	282	PEPO	C1315	210
BETTY	C1338/2	174	HADO	C1331/8	194	PIRE	C1090	286
BETTY	C1338	176	HADO	C1331/10	196	PTAN	C1154	281
BIG COSS	C1203/80	278	HADO	C1331/12	197	PULL	C1249/3	256
BIG DUSSA	C1307/L	224	HADO	T1331	300	PULL	C1249/S	258
BION	C1306	228	HITA	C1356/6	126	PULL	C1249/L	260
CANNA	C1319/L	204	HITA	C1356	128	REMS	C1318/2	206
CANNA	C1319/S	205	HULO	C1351	158	REMS	C1318	206
CLOUD	C1345/3	142	ICONIC	C1300	230	SOKO	C1335/8	190
CLOUD	C1345	144	IPON	C1316/4	208	TAB	C1010+801131	299
COLN	C1267	253	IPON	C1316/1	209	TAB	C1010 + 801132	299
COPO	C1085	292	IRZO	C1353/6	122	TAMB	T1019/30/50	308
CORA	C1129	283	IRZO	C1353	124	TAMB SQUARE	T1016	309
CRAM	C1329/6	198	ISON	C1298	234	TASTA	C1355	136
CRAM	C1329	200	ISON	C1298/5	235	TEA	C1337/8	178
CUBIC	C1344/L	138	LADA	C1354	130	TEA	C1337/5	180
CUBIC	C1344/S	140	LATTO	T1268	307	TEA	C1337	181
CURN	C1080	298	LERA	C1323	202	TICO	C1095/100	284
DALT	C1280/6	244	LIDA	C1357/3	132	TICO	C1095/50	284
DALT	C1280	245	LIDA	C1357	134	TRAG	C1340/20/30/40	168
DELIE	C1224	269	LITA	C1230	268	TUBE	C1296	236
DELIE	C1224/8	270	LYB	C1274	247	TURA	C1313	214
DENA	C1088	288	MAPI	C1235	262	TURA C	C1313/C	216
DOUL	C1310	222	MAPI	C1235/V	263	ULON	C1236	258
DOUL	T1310	301	MARG	C1341/20/30/40	166	VANT	C1352	160
DUSSA	C1307	224	MARU	C1194	279	VITREE	C1346/L	146
DUSSA	C1307/6	226	MIKA	C1204	277	VITREE	C1346/S	148
ELLA	C1158	280	MIRO	C1289	240	YCRO	C1297	236
ELLI	C1311/L	220	MIRO	C1289/6	242	YCRO	T1297	302
ELLI	C1311/S	222	NINO	C1275	252	YMA	C1347/H	150
ELMA	C1312/L	217	NIRO	C1314	212	YMA	C1347/V	152
ELMA	C1312/S	218	NOOI	C1276/L	248	YOYO	C1222	272

IRZO

C1353/6

Pepe Fornas
Design 2026

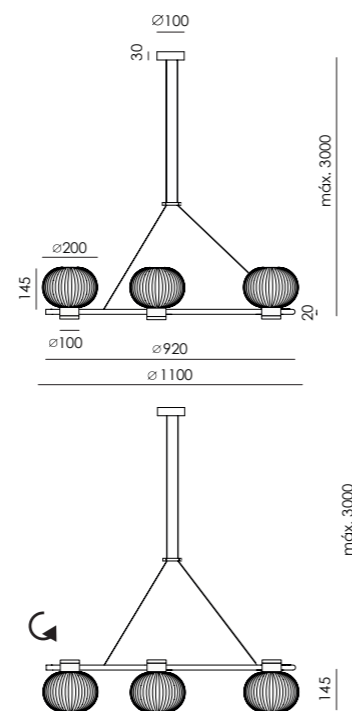


EN

MATERIALS	Metal / Glass / Leather		
FINISHES	Metal Matt black Aged Gold	Glass Opal	Leather (optional) Brown Orange Black
SPECIFICATIONS (UE)	6 x G9 5W 2700K 2250lm 220-240V, 50/60 Hz		
ENERGY LABEL	E		

ES

MATERIALES	Metal / Cristal / Cuero		
ACABADOS	Metal Negro Mate Oro Envejecido	Cristal Opal	Cuero (opcional) Marrón Naranja Negro
ESPECIFICACIONES (UE)	6 x G9 5W 2700K 2250lm 220-240V, 50/60 Hz		



Reversible installation / Instalación reversible

ICONS



IRZO

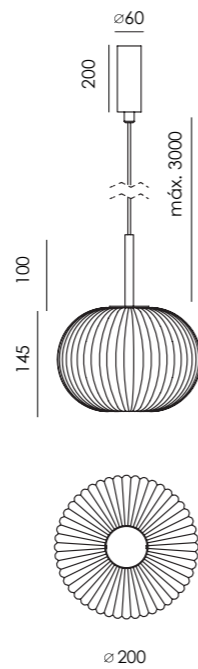
C1353

Pepe Fornas
Design 2026



EN	MATERIALS		Metal / Glass
	FINISHES	Metal	Glass
		Matt black	Opal
		Aged gold	
	SPECIFICATIONS (UE)	G9 5W 2700K 450lm 220-240V, 50/60 Hz	
	ENERGY LABEL	E	

ES	MATERIALES		Metal / Cristal
	ACABADOS	Metal	Cristal
		Negro Mate	Opal
		Oro Envejecido	
	ESPECIFICACIONES (UE)	G9 5W 2700K 450lm 220-240V, 50/60 Hz	
	CLASIFICACIÓN ENERGÉTICA	E	



ICONS





HITA

C1356/6

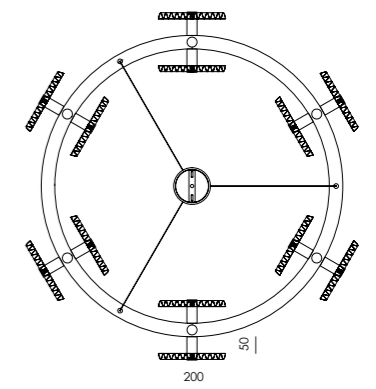
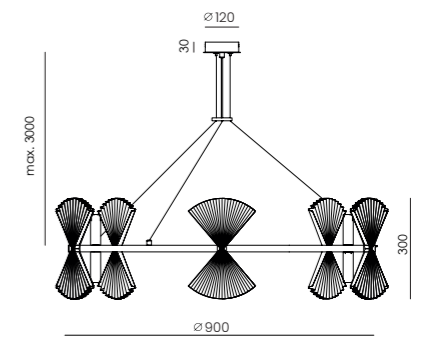
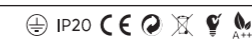
Beatriz Fornas
Design 2026



EN	MATERIALS Metal / Paper	
	FINISHES Metal Matt black Aged gold	Paper Parchment
	SPECIFICATIONS (UE) 12 x G9 5W 2700K dimmable 3600lm 220-240V, 50/60 Hz	
	ENERGY LABEL E	

ES	MATERIALES Metal / Papel	
	ACABADOS Metal Negro Mate Oro Envejecido	Papel Pergamino
	ESPECIFICACIONES (UE) 12 x G9 5W 2700K dimmable 3600lm 220-240V, 50/60 Hz	
	CLASIFICACIÓN ENERGÉTICA E	

ICONS





HITA

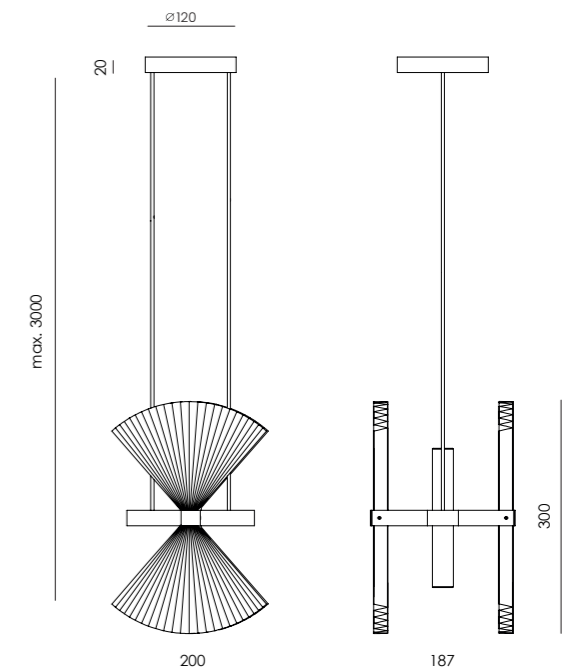
C1356

Beatriz Fornas
Design 2026

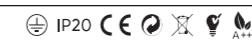


EN	MATERIALS Metal / Paper	
	FINISHES Metal Matt black Aged gold	Paper Parchment
	SPECIFICATIONS (UE) 2 x G9 5W 2700K dimmable 900lm 220-240V, 50/60 Hz	
	ENERGY LABEL E	

ES	MATERIALES Metal / Papel	
	ACABADOS Metal Negro Mate Oro Envejecido	Papel Pergamino
	ESPECIFICACIONES (UE) 2 x G9 5W 2700K regulable 900lm 220-240V, 50/60 Hz	
	CLASIFICACIÓN ENERGÉTICA E	



ICONS



LADA

C1354

Pepe Fornas
Design 2026



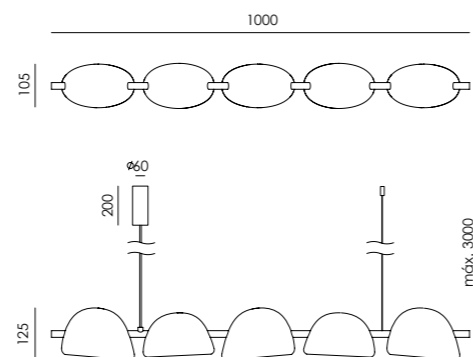
EN

MATERIALS	Metal / Cerámica	
FINISHES	Metal Matt black Aged Gold	Ceramics White
SPECIFICATIONS (UE)	LED Strip 25W 2700K dimmable 2200lm 220-240V, 50/60 Hz	
ENERGY LABEL	F	

ES

MATERIALES	Metal / Cerámica	
ACABADOS	Metal Negro Mate Oro Envejecido	Cerámica Blanca
ESPECIFICACIONES (UE)	Tira LED 25W 2700K regulable 2200lm 220-240V, 50/60 Hz	
CLASIFICACIÓN ENERGÉTICA	F	

ICONS





LIDA

C1357/3

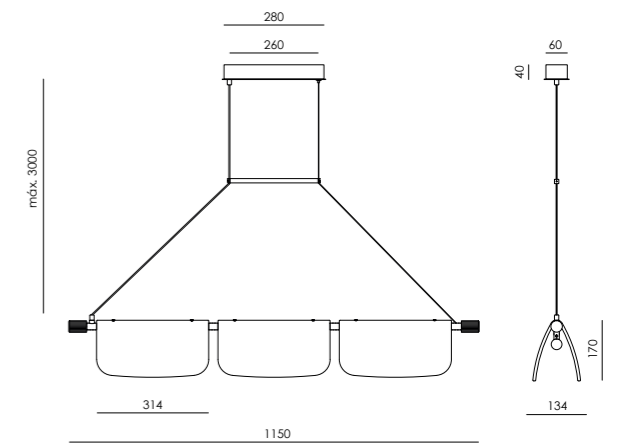


JF Sevilla
Design 2026



EN	MATERIALS Metal / Glass	
	FINISHES Metal Matt black Aged Gold	Glass Clear
	SPECIFICATIONS (UE) LED Strip 3 x 5W 2700K dimnable 1260lm 220-240V, 50/60 Hz	
	ENERGY LABEL F	

ES	MATERIALES Metal / Cristal	
	ACABADOS Metal Negro Mate Oro Envejecido	Cristal Transparente
	ESPECIFICACIONES (UE) Tira LED 3 x 5W 2700K regulable 1260lm 220-240V, 50/60 Hz	
	CLASIFICACIÓN ENERGÉTICA F	



ICONS	IP20 CE
--------------	------------------

Mechanical Conection possible with accessory I357J/
Posibilidad de unión con accesorio I357J.



LIDA

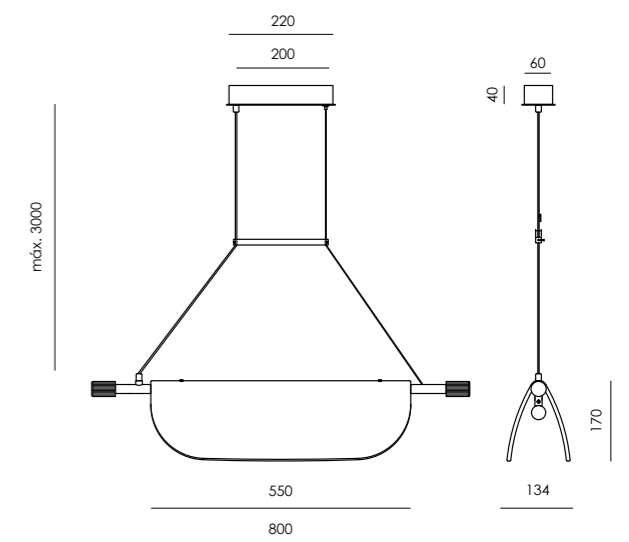
C1357

JF Sevilla
Design 2026



EN	MATERIALS	Metal / Glass						
	FINISHES	<table border="1"> <tr> <td>Metal</td> <td>Glass</td> </tr> <tr> <td>Matt black</td> <td>Clear</td> </tr> <tr> <td>Aged Gold</td> <td></td> </tr> </table>	Metal	Glass	Matt black	Clear	Aged Gold	
Metal	Glass							
Matt black	Clear							
Aged Gold								
	SPECIFICATIONS (UE)	LED Strip 10W 2700K dimnable 900lm 220-240V, 50/60 Hz						
	ENERGY LABEL	F						

ES	MATERIALES	Metal / Cristal						
	ACABADOS	<table border="1"> <tr> <td>Metal</td> <td>Cristal</td> </tr> <tr> <td>Negro Mate</td> <td>Transparente</td> </tr> <tr> <td>Oro Envejecido</td> <td></td> </tr> </table>	Metal	Cristal	Negro Mate	Transparente	Oro Envejecido	
Metal	Cristal							
Negro Mate	Transparente							
Oro Envejecido								
	ESPECIFICACIONES (UE)	Tira LED 10W 2700K regulable 900lm 220-240V, 50/60 Hz						
	CLASIFICACIÓN ENERGÉTICA	F						



ICONS	
--------------	--

Mechanical Conection possible with accessory I357J/
Posibilidad de unión con accesorio I357J.

TASTA

C1355

Pepe Fornas
Design 2026



EN	MATERIALS Metal / Marble	
FINISHES	Metal Matt black Aged gold	Marble White Black Green Brown

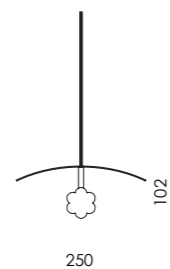
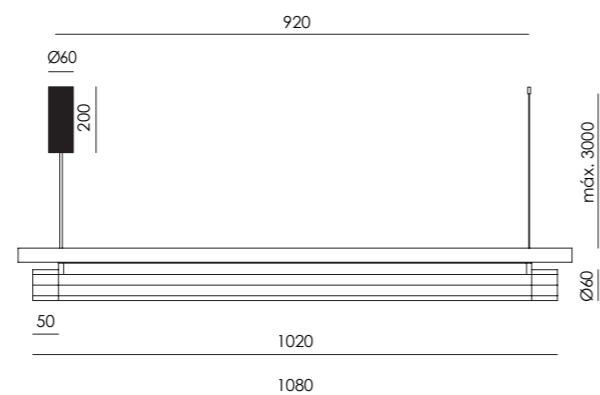
SPECIFICATIONS (UE)	LED Strip 25W 2700K dimnable 2200lm 220-240V, 50/60 Hz	
----------------------------	--	--

ENERGY LABEL	F	
---------------------	---	--

ES	MATERIALES Metal / Mármol	
ACABADOS (COMBINACIONES)	Metal Negro Mate Oro envejecido	Mármol Blanco Negro Verde Marrón

ESPECIFICACIONES (UE)	Tira LED 25W 2700K regulable 2200lm 220-240V, 50/60 Hz	
------------------------------	--	--

CLASIFICACIÓN ENERGÉTICA	F	
---------------------------------	---	--



ICONS

* Ball joint to orient the light/
Rótula para orientar la luz



CUBIC

C1344/L

Pepe Fornas
Design 2025



EN

MATERIALS Metal / Alabaster

FINISHES Metal
Aged gold
Matt black

SPECIFICATIONS (UE) LED strip 35W 2700K dimmable
220-240V, 50/60 Hz

ENERGY LABEL F

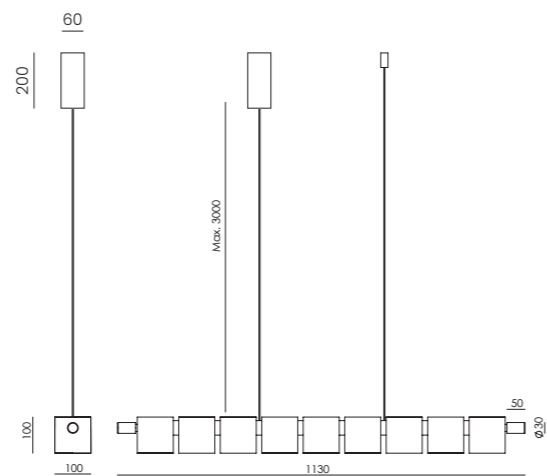
ES

MATERIALES Metal / Alabastro

ACABADOS Metal
Oro envejecido
Negro mate

ESPECIFICACIONES (UE) Tira LED 35W 2700K regulable
220-240V, 50/60 Hz

CLASIFICACIÓN ENERGÉTICA F



ICONS

IP20 CE



CUBIC

C1344/S

Pepe Fornas
Design 2025



EN

MATERIALS Metal / Alabaster

FINISHES Metal
Aged gold
Matt black

SPECIFICATIONS (UE) G9 5W 2700K dimmable
220-240V, 50/60 Hz

ENERGY LABEL F

ES

MATERIALES Metal / Alabastro

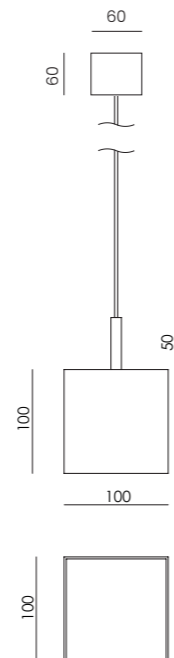
ACABADOS Metal
Oro envejecido
Negro mate

ESPECIFICACIONES (UE) G9 5W 2700K regulable
220-240V, 50/60 Hz

CLASIFICACIÓN ENERGÉTICA F

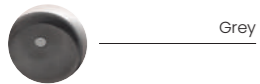
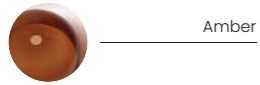
ICONS

IP20 CE



CLOUD

C1345/3



Arnold Salido
Design 2025



EN MATERIALS Metal / Glass

FINISHES Metal
Matt black / Aged gold
Shade
Clear (standard*)
Difusser
Opal

SPECIFICATIONS (UE) 3xG9 5W 2700K dimmable
220-240V, 50/60 Hz

ENERGY LABEL E

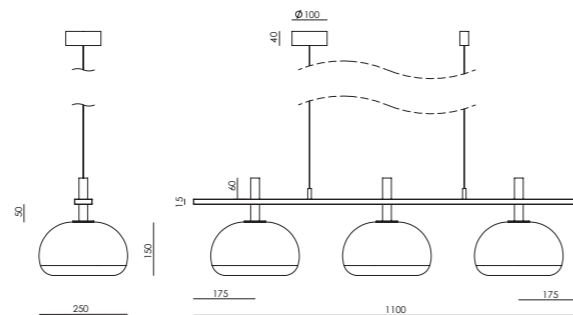
ES MATERIALES Metal / Cristal

ACABADOS Metal
Negro mate / Oro envejecido
Pantalla
Transparente (standard*)
Difusor
Ópalo

ESPECIFICACIONES (UE) 3 x G9 5W 2700K regulable
220-240V, 50/60 Hz

CLASIFICACIÓN ENERGÉTICA E

ICONS IP20 CE ENEC VDE



*Other smoked finish (Greenish brown / Amber / Grey)
Otros acabados ahumados (Marrón verdoso / Ambar / Gris)



CLOUD

C1345



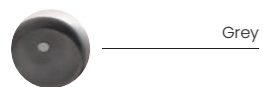
Clear



Amber



Greenish Brown



Grey

Arnold Salido
Design 2025



Greenish Brown Glass



EN

MATERIALS Metal / Glass

FINISHES Metal
Matt black / Aged gold
Shade
Glass*
Difusser
Opal

SPECIFICATIONS (UE) G9 5W 2700K 600lm dimmable
220-240V, 50/60 Hz

ENERGY LABEL E

ES

MATERIALES Metal / Cristal

ACABADOS Metal
Negro mate / Oro envejecido
Pantalla
Cristal*
Difusor
Ópalo

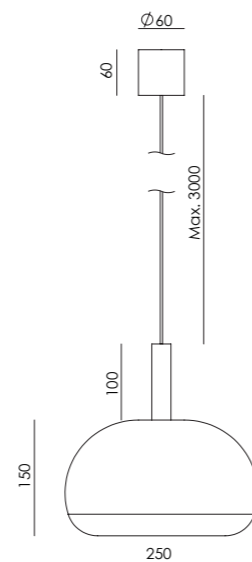
ESPECIFICACIONES (UE) G9 5W 2700K 500lm Regulable
220-240V, 50/60 Hz

CLASIFICACIÓN ENERGÉTICA E

ICONS

IP20 CE

*Other smoked finish (Greenish brown / Amber / Clear / Grey) /
Otros acabados ahumados (Marrón verdoso / Ambar /
Transparente / Gris)





VITREE

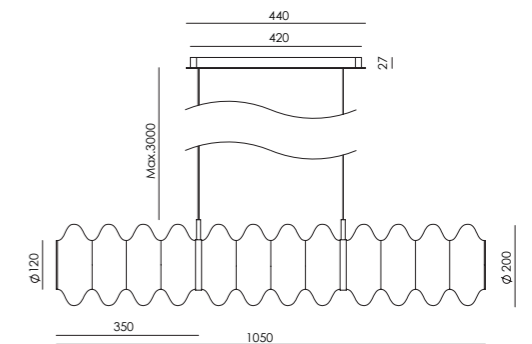
C1346/L

Pepe Fornas
Design 2025



EN	MATERIALS	Metal / Glass
	FINISHES	Metal Matt black / Aged gold Glass Clear
	SPECIFICATIONS (UE)	LED Strip 28W 2700K 2800lm TRIAC dimmable 220-240V, 50/60 Hz
	ENERGY LABEL	F

ES	MATERIALES	Metal / Cristal
	ACABADOS	Metal Negro mate / Oro envejecido Cristal Transparente
	ESPECIFICACIONES (UE)	Tira LED 28W 2700K 2800lm TRIAC Regulable 220-240V, 50/60 Hz
	CLASIFICACIÓN ENERGÉTICA	F



ICONS IP20 CE E U



VITREE

C1346/S

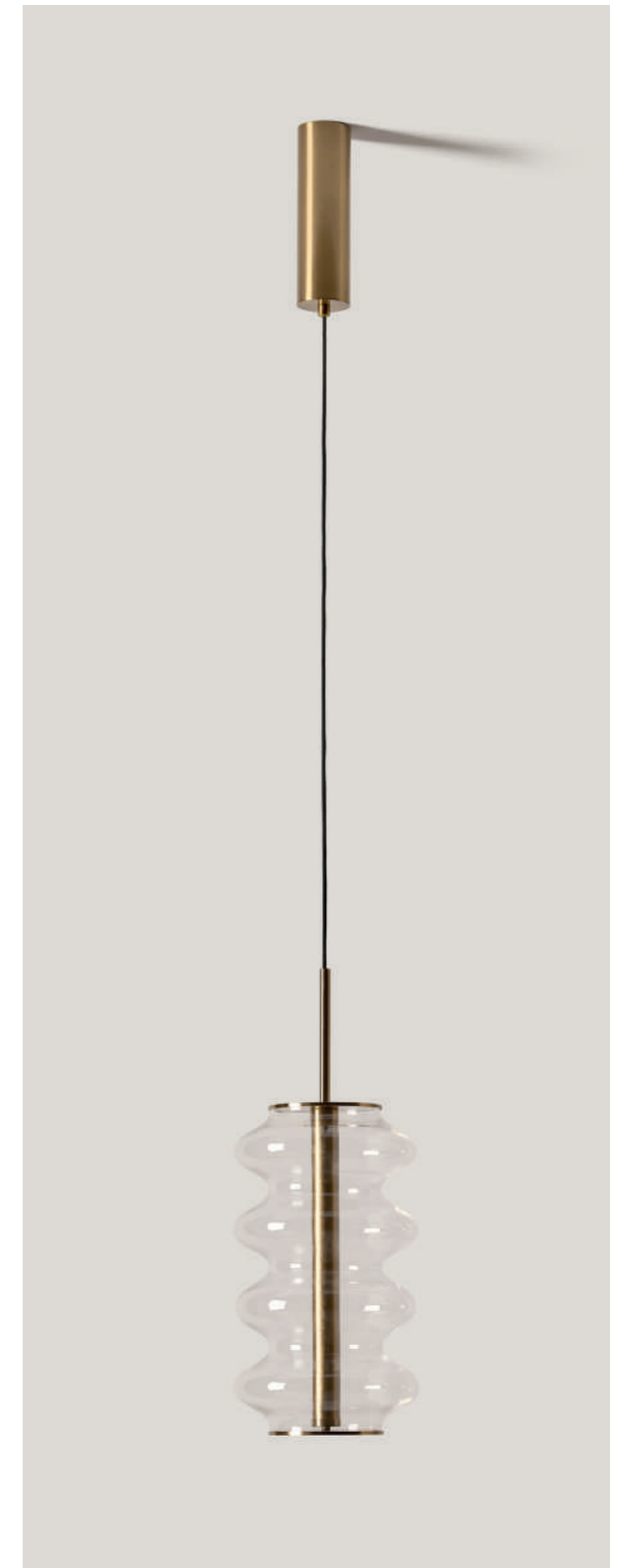
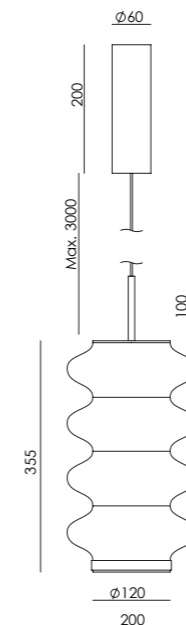
Pepe Fornas
Design 2025



EN	
MATERIALS	Metal / Glass
FINISHES	Metal Matt black / Aged gold Glass Clear
SPECIFICATIONS (UE)	LED Strip 12W 2700K 1200lm Dimmable 220-240V, 50/60 Hz
ENERGY LABEL	E

ES	
MATERIALES	Metal / Cristal
ACABADOS	Metal Negro mate / Oro envejecido Cristal Transparente
ESPECIFICACIONES (UE)	Tira LED 12W 2700K 1200lm Regulable 220-240V, 50/60 Hz
CLASIFICACIÓN ENERGÉTICA	E

ICONS IP20



YMA

C1347/H

JF Sevilla
Design 2025



Accessory not included

EN	MATERIALS	Metal / Silicone
	FINISHES	Metal Matt black Silicone tube Opal
	SPECIFICATIONS (UE)	LED Strip 2700K 15W/m dimmable 220-240V, 50/60 Hz
	ENERGY LABEL	E
ES	MATERIALES	Metal / Silicona
	ACABADOS	Metal Negro mate Tubo de silicona Ópalo
	ESPECIFICACIONES (UE)	Tira LED 2700K 15W/m regulable 220-240V, 50/60 Hz
	CLASIFICACIÓN ENERGÉTICA	E

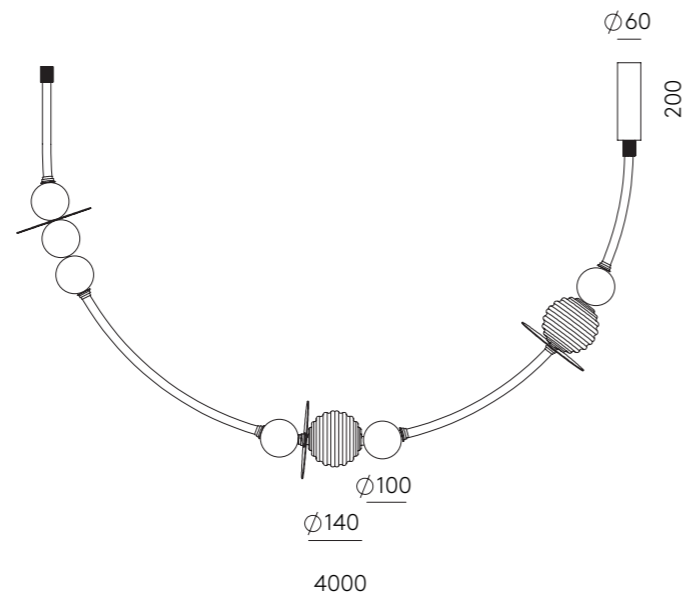


Image accessories: Green marble ball 100mm / Matt brass metal disc 20mm / Painted resin ball 100mm / Aged gold metal ball 100mm / Resin ball 100mm / Matt brass metal disc 20mm / Striped clear glass ball 140mm / Metal black ball 100mm / Matt brass metal disc 20mm / Striped fumé glass ball 140mm / White marble ball 100mm



YMA

C1347/V

JF Sevilla
Design 2025



EN	
MATERIALS	Metal / Silicone
FINISHES	Metal Matt black Silicone tube Opal
SPECIFICATIONS (UE)	LED Strip 2700K 15W/m dimmable 220-240V, 50/60 Hz, IP20
ENERGY LABEL	E

ES	
MATERIALES	Metal / Silicona
ACABADOS	Metal Negro mate Tubo de silicona Ópalo
ESPECIFICACIONES (UE)	Tira LED 2700K 15W/m Regulable 220-240V, 50/60 Hz, IP20
CLASIFICACIÓN ENERGÉTICA	E

ICONS

IP20 CE

Image accessories: Aged gold metal ball 100mm / Painted resin ball 100mm / Striped fumé glass ball 200mm / Matt brass metal disc 140mm / Striped clear glass ball 140mm / Alabaster disc 200mm / Brown marble ball 100mm



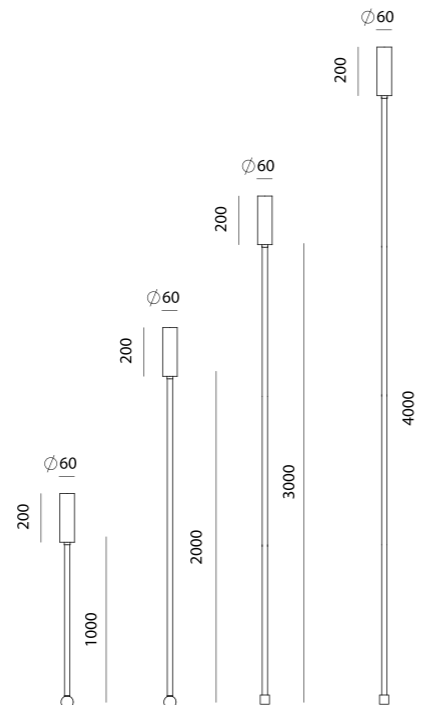
YMA

C1347



EN	MATERIALS	Metal / Silicone
	FINISHES	Metal Matt black Silicone tube Opal
	SPECIFICATIONS (UE)	LED Strip 2700K 15W/m dimmable 220-240V, 50/60 Hz
	ENERGY LABEL	E

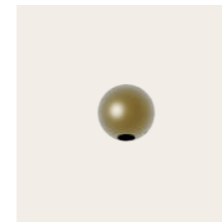
ES	MATERIALES	Metal / Silicona
	ACABADOS	Metal Negro mate Tubo de silicona Ópalo
	ESPECIFICACIONES (UE)	Tira LED 2700K 15W/m Regulable 220-240V, 50/60 Hz
	CLASIFICACIÓN ENERGÉTICA	E



ICONS IP20 CE RoHS WEEE

YMA

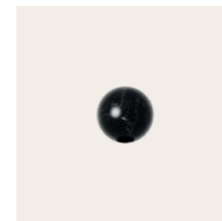
Accessories



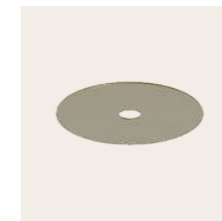
MATERIALS	Metal
FINISHES	Matt black (1347/MN) Aged gold (1347/MO) Chrome (1347/MC)
SIZES	Ø10cm



MATERIALS	Alabaster
FINISHES	Alabaster (1289/20)
SIZES	Ø20cm



MATERIALS	Marble
FINISHES	Black (1347/NEG) White (1347/BCO) Brown (1347/BROWN) Green (1347/VER)
SIZES	Ø10cm

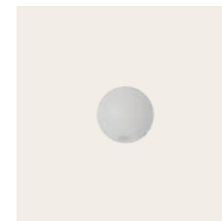


MATERIALS	Metal
FINISHES	Matt black Matt brass
SIZES	Ø20cm (1289/20) Ø25cm (1038/25)

* Recommended placement: upper part



MATERIALS	Striped Glass
FINISHES	Clear Fumé
SIZES	Ø14cm (1314/14T o 1347/GREY14) Ø20cm (1347/20T o 1347/GREY20)



MATERIALS	Glass
FINISHES	Opal
SIZES	Ø14cm (1347/OPAL14) Ø20cm (1347/OPAL20)



MATERIALS	Resin
FINISHES	White (1347/RESIN) Other finishes See colour palette (1347/RESINPINT)
SIZES	Ø10cm








Colour glass:
White

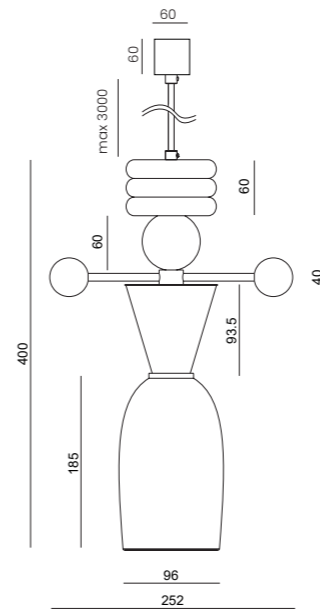
NURO

C1349

Nacho Timón
Design 2025



EN	MATERIALS	Metal / Glass / Marble
	FINISHES	Metal Matt black with aged gold details. Glass See colour palette Marble Accessory Black / White / Green / Brown / Travertine Marble Ball Black
	SPECIFICATIONS (UE)	GU-10 5W dimmable 450lm 220-240V, 50/60 Hz IP20
	ENERGY LABEL	E
ES	MATERIALES	Metal / Cristal / Mármol
	ACABADOS	Metal Negro mate con detalles en oro envejecido. Cristal Ver paleta de colores Accesorio de mármol Negro / Blanco / Verde / Marrón / Travertino Bola de mármol Negro
	ESPECIFICACIONES (UE)	GU-10 5W regulable 450lm 220-240V, 50/60 Hz IP20
	CLASIFICACIÓN ENERGÉTICA	E
	ICONS	IP20     



Colour glass:
Mocca
Pale Pink

GEHIT

C1350

Pepe Fornas
Design 2025



EN **MATERIALS** Metal / Wood / Glass

FINISHES

Metal	Glass
Matt black	Striped glass
Aged gold	Difusor
Wood	Opal
Dark walnut	

SPECIFICATIONS (UE) LED Strip 14W 2700K dimmable
220-240V, 50/60 Hz
IP20

ENERGY LABEL F

ES **MATERIALES** Metal / Madera / Cristal

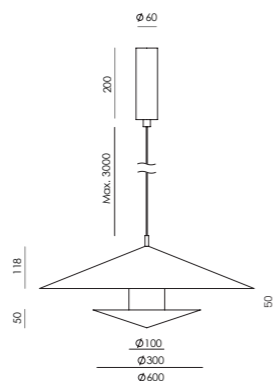
ACABADOS

Metal	Cristal
Negro mate	Cristal estriado
Oro envejecido	Difusor
Madera	Ópalo
Nogal oscuro	

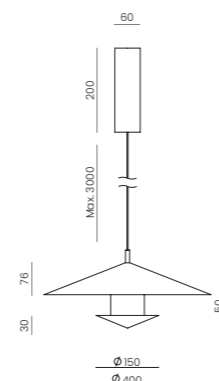
ESPECIFICACIONES (UE) Tira LED 14W 2700K regulable
220-240V, 50/60 Hz
IP20

CLASIFICACIÓN ENERGÉTICA F

C1350/60



C1350/40



ICONS

IP20 CE





HULO

C1351

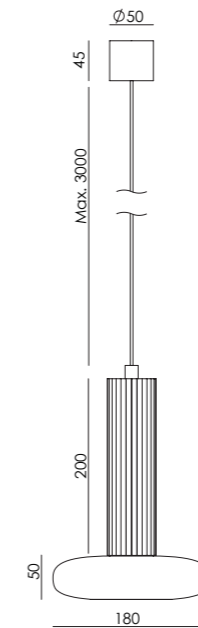


Beatriz Fornas
Design 2025

EN	MATERIALS Metal / Marble	
	FINISHES Metal Matt black Aged gold	Marble Black White Green Brown
	SPECIFICATIONS (UE) GU-10 5W 2700K dimmable 220-240V, 50/60 Hz IP20	
	ENERGY LABEL E	

ES	MATERIALES Metal / Mármol	
	ACABADOS Metal Negro mate Oro envejecido	Mármol Negro Blanco Verde Marrón
	ESPECIFICACIONES (UE) GU-10 5W 2700K regulable 220-240V, 50/60 Hz IP20	
	CLASIFICACIÓN ENERGÉTICA E	

ICONS IP20 CE



VANT

C1352

Pepe Fornas
Design 2025



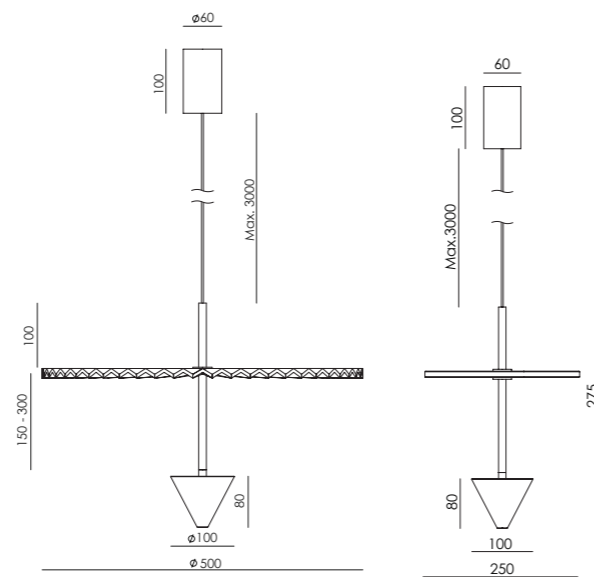
Accessory disc not included (Compatible with any of our accessories)

EN

MATERIALS	Metal / Marble
FINISHES	Combinations: Metal Matt black Marble Black - Metal Aged gold Marble White
SPECIFICATIONS (UE)	LED plate 9W 2700K dimmable 220-240V, 50/60 Hz IP20
ENERGY LABEL	F

ES

MATERIALES	Metal / Mármol
ACABADOS	Combinaciones: Metal Negro mate Mármol Negro - Metal Oro envejecido Mármol Blanco
ESPECIFICACIONES (UE)	Placa LED 9W 2700K regulable 220-240V, 50/60 Hz IP20
CLASIFICACIÓN ENERGÉTICA	F



Compatible accessories / Accesorios compatibles: 1289/25, 1289/35, 1097/30, 1132/50, 1093/50



Colour disc:
Brown Sugar
Alabaster

NUMU

C1343/3

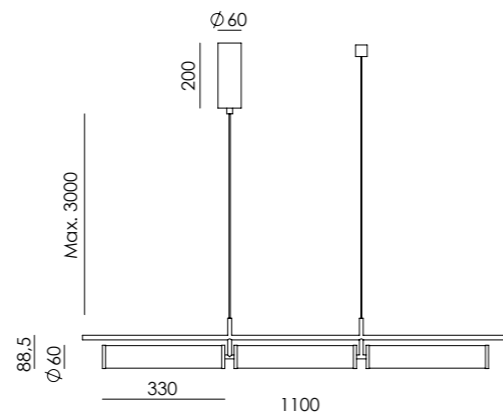


AC Studio
Design 2025

EN	MATERIALS	Metal / Glass
	FINISHES	Metal Chrome Glass Opal
	SPECIFICATIONS (UE)	LED Strip 3 x 9W 2700K dimmable 220-240V/24V, 50/60 Hz IP20
	ENERGY LABEL	F

ES	MATERIALES	Metal / Cristal
	ACABADOS	Metal Cromo Cristal Ópalo
	ESPECIFICACIONES (UE)	Tira LED 3 x 9W 2700K regulable 220-240V/24V, 50/60 Hz IP20
	CLASIFICACIÓN ENERGÉTICA	F

ICONS IP20 CE



NUMU

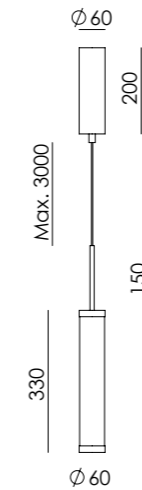
C1343

AC Studio
Design 2025

EN	MATERIALS	Metal / Glass
	FINISHES	Metal Chrome Glass Opal
	SPECIFICATIONS (UE)	LED Strip 9W 2700K dimmable 220-240V/24V, 50/60 Hz IP20
	ENERGY LABEL	F

ES	MATERIALES	Metal / Cristal
	ACABADOS	Metal Cromo Cristal Opal
	ESPECIFICACIONES (UE)	Tira LED 3 x 9W 2700K regulable 220-240V/24V, 50/60 Hz IP20
	CLASIFICACIÓN ENERGÉTICA	F

ICONS IP20 CE





MARG

C1341/20/30/40

AC Studio
Design 2024



Colour:
White
Green Leaf
Mocca

EN	MATERIALS Metal / Marble	
-----------	---------------------------------	--

FINISHES	Metal	Marble
	Matt white Matt black Green Leaf Mocca Silhouette	Black White Brown Green Travertine

SPECIFICATIONS (UE)	LED plate 12W 2700K 1200lm TRIAC dimmable 220-240V, 50/60 Hz
----------------------------	--

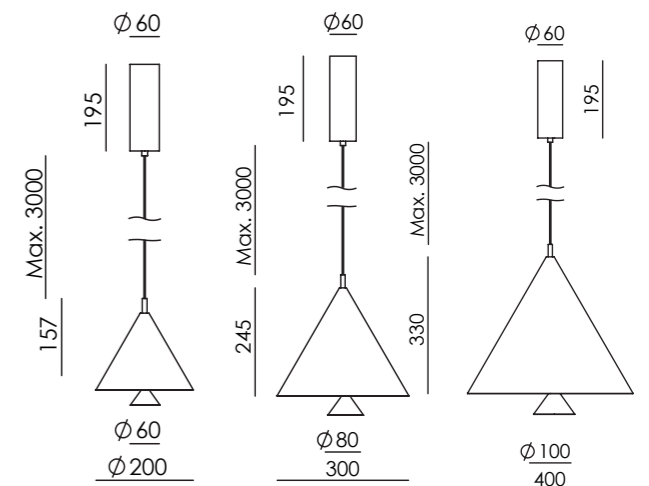
ENERGY LABEL	F
---------------------	---

ES	MATERIALES Metal / Mármol	
-----------	----------------------------------	--

ACABADOS	Metal	Mármol
	Negro mate Blanco mate Verde Hoja Mocca Silhouette	Negro Blanco Marrón Verde Travertino

ESPECIFICACIONES (UE)	Placa LED 12W 2700K 1200lm TRIAC regulable 220-240V, 50/60 Hz
------------------------------	---

CLASIFICACIÓN ENERGÉTICA	F
---------------------------------	---



ICONS	
--------------	--



TRAG

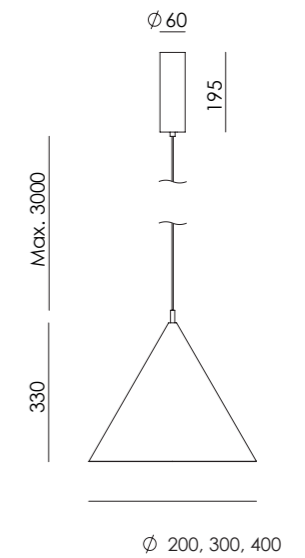
C1340/20/30/40

AC Studio
Design 2024



Colour:
Black

EN	MATERIALS	Metal
	FINISHES	Metal Matt white Matt black Green Leaf Mocca Silhouette Diffuser Opal
	SPECIFICATIONS (UE)	LED plate 12W 2700K 1200lm TRIAC dimmable 220-240V ·50/60 Hz
	ENERGY LABEL	F
ES	MATERIALES	Metal
	ACABADOS	Metal Negro mate Blanco mate Verde Hoja Mocca Silhouette Difusor Opal
	ESPECIFICACIONES (UE)	Placa LED 12W 2700K 1100lm TRIAC Regulable 220-240V ·50/60 Hz
	CLASIFICACIÓN ENERGÉTICA	F
	ICONS	IP20 CE



Multi-module compositions can only be realised with modules 1340/20.
Las composiciones de varios módulos solo pueden realizarse con los módulos 1340/20.

FLOW

C1339/6

Pepe Fornas
Design 2024



EN **MATERIALS** Metal / Glass

FINISHES Metal
Matt black
Aged gold
Glass
Opal

SPECIFICATIONS (UE) 6 x G9 7W 2700K 4500lm TRIAC
dimmmable 220-240V -50/60 Hz

ENERGY LABEL E

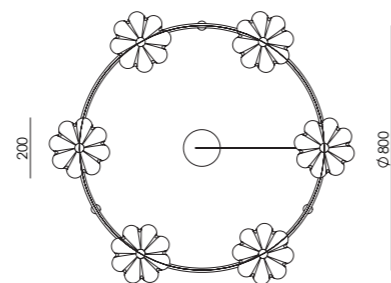
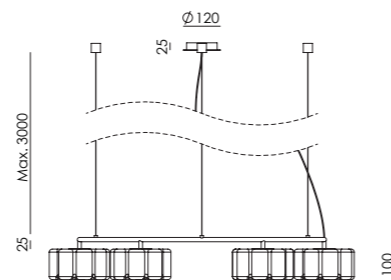
ES **MATERIALES** Metal / Cristal

ACABADOS Metal
Negro mate
Oro envejecido
Cristal
Opal

ESPECIFICACIONES (UE) 6 x G9 7W 2700K 4500lm TRIAC
Regulable 220-240V -50/60 Hz

CLASIFICACIÓN ENERGÉTICA E

ICONS





FLOW

C1339

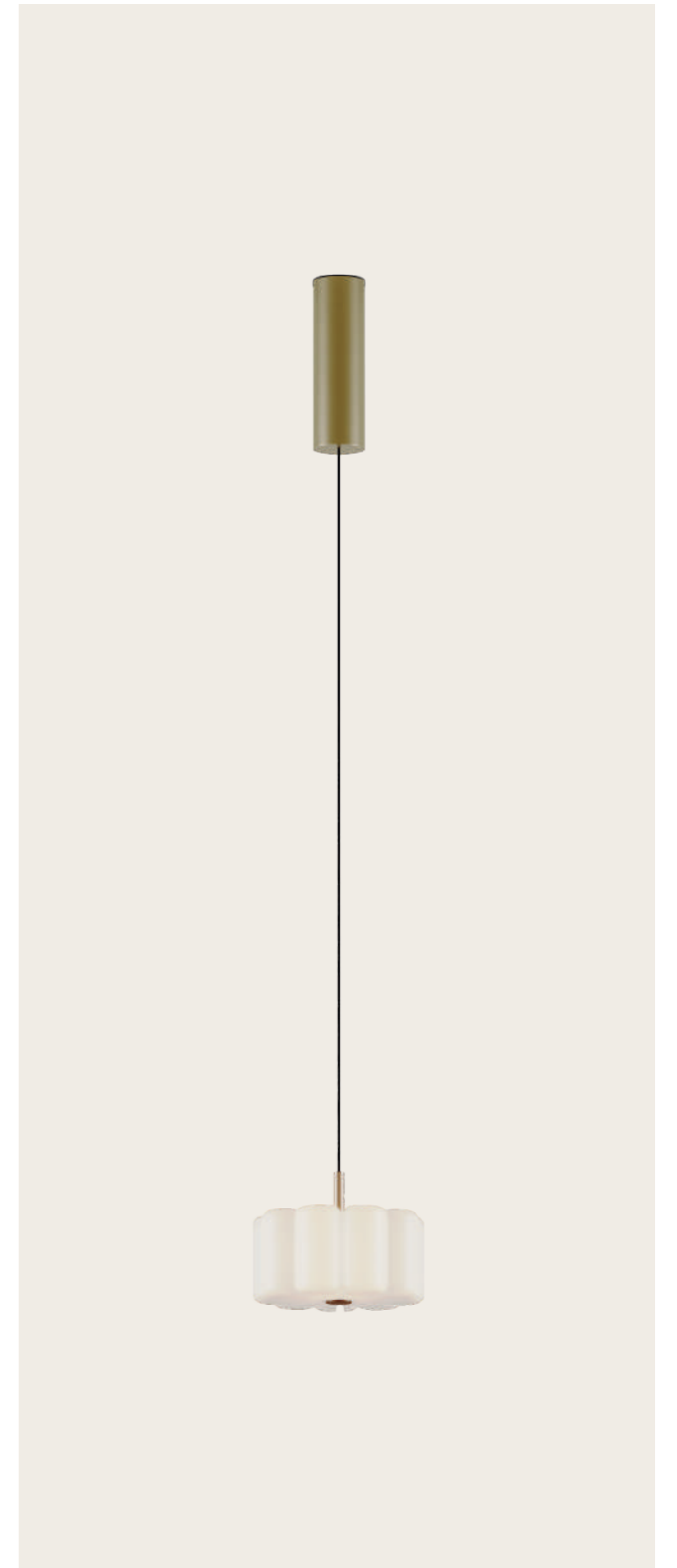
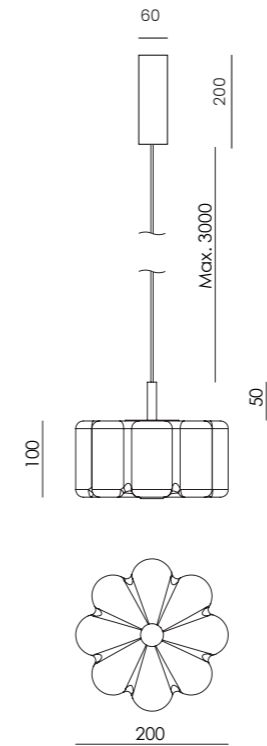
Pepe Fornas
Design 2024



EN	
MATERIALS	Metal / Glass
FINISHES	Metal Matt black Aged gold Glass Opal
SPECIFICATIONS (UE)	G9 7W 2700K 810lm TRIAC dimmable 220-240V 50/60 Hz
ENERGY LABEL	F

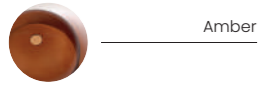
ES	
MATERIALES	Metal / Cristal
ACABADOS	Metal Negro mate Oro envejecido Cristal Opal
ESPECIFICACIONES (UE)	G9 7W 2700K 810lm TRIAC Regulable 220-240V 50/60 Hz
CLASIFICACIÓN ENERGÉTICA	F

ICONS



BETTY

C1338/2



AC Studio
Design 2024



EN	MATERIALS	Metal / Glass
----	------------------	---------------

FINISHES	Metal Matt black Aged gold	Shade *Clear
-----------------	---	------------------------

SPECIFICATIONS (UE)	2 x LED plate 10W 2700K 1800lm dimmable 220-240V -50/60 Hz	
----------------------------	---	--

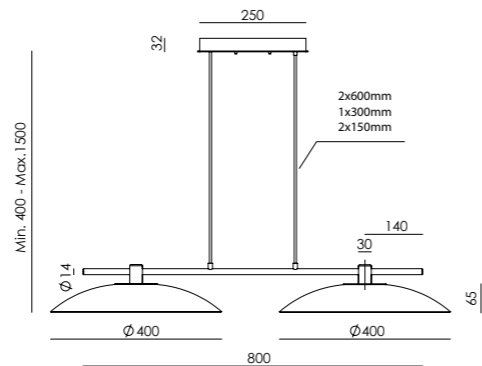
ENERGY LABEL	F	
---------------------	---	--

ES	MATERIALES	Metal / Cristal
----	-------------------	-----------------

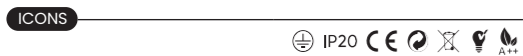
ACABADOS	Metal Negro mate Oro envejecido	Cristal *Transparente
-----------------	--	---------------------------------

ESPECIFICACIONES (UE)	2 x Placa LED 10W 2700K 1800lm Regulable 220-240V -50/60 Hz	
------------------------------	--	--

CLASIFICACIÓN ENERGÉTICA	F	
---------------------------------	---	--



*Other smoked finish (Ambar / Greenish Brown / Grey / Blue) /
Otros acabados ahumados (Ambar / Marrón verdoso / Gris / Azul)



Colour glass:
Clear



Colour glass:
Greenish Brown

BETTY

C1338

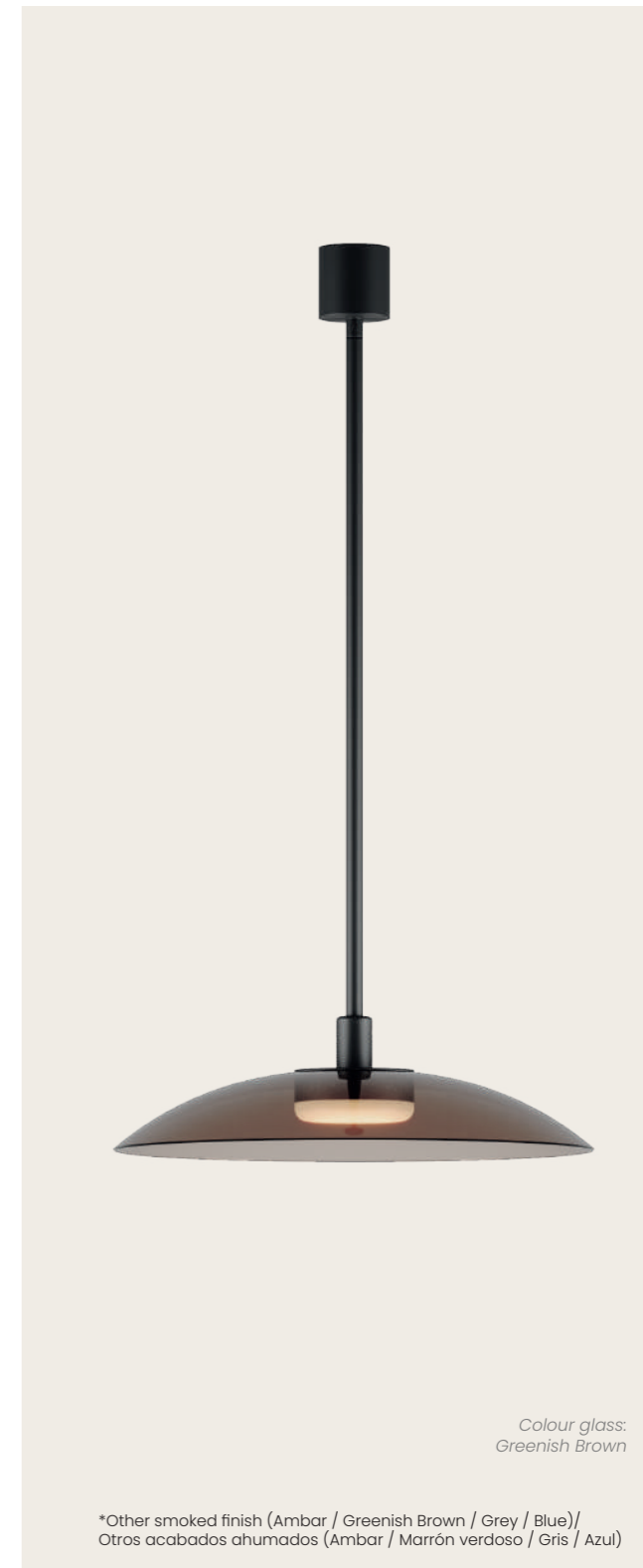
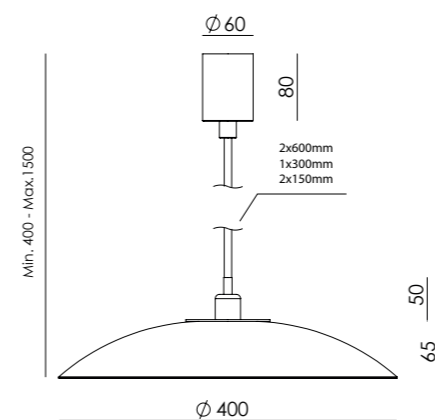
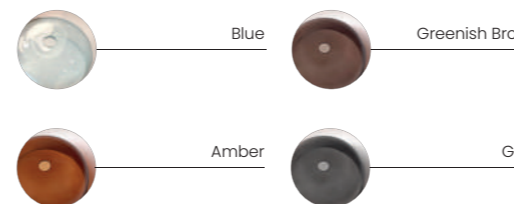
AC Studio
Design 2024



EN	MATERIALS Metal / Glass	
	FINISHES	Glass
	Matt black Aged gold	Clear (standard*)
	SPECIFICATIONS (UE) LED plate 10W 2700K 1800lm dimmable 220-240V ·50/60 Hz	
	ENERGY LABEL F	

ES	MATERIALES Metal / Cristal	
	ACABADOS	Cristal
	Negro mate Oro envejecido	Transparente (standard*)
	ESPECIFICACIONES (UE) Placa LED 10W 2700K 1800lm Regu- lable 220-240V ·50/60 Hz	
	CLASIFICACIÓN ENERGÉTICA F	

ICONS IP20 CE



Colour glass:
Greenish Brown

*Other smoked finish (Ambar / Greenish Brown / Grey / Blue) /
Otros acabados ahumados (Ambar / Marrón verdoso / Gris / Azul)



TEA

C1337/8

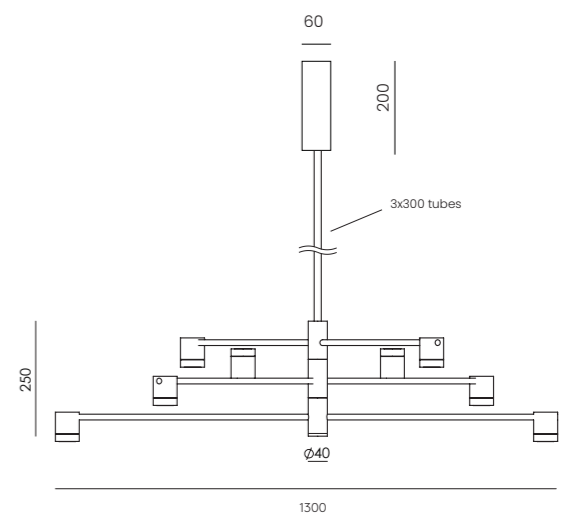


AC Studio
Design 2025



EN	MATERIALS Metal / Marble	
	FINISHES Metal Matt black	Marble Black
	SPECIFICATIONS (UE) 8 x CREE LED 6W 2700K dimnable 2800lm 220-240V, 50/60 Hz	
	ENERGY LABEL F	

ES	MATERIALES Metal / Mármol	
	ACABADOS Metal Negro mate	Mármol Negro mate
	ESPECIFICACIONES (UE) 8 x CREE LED 3W 2700K regulable 2800lm 220-240V, 50/60 Hz	
	CLASIFICACIÓN ENERGÉTICA F	

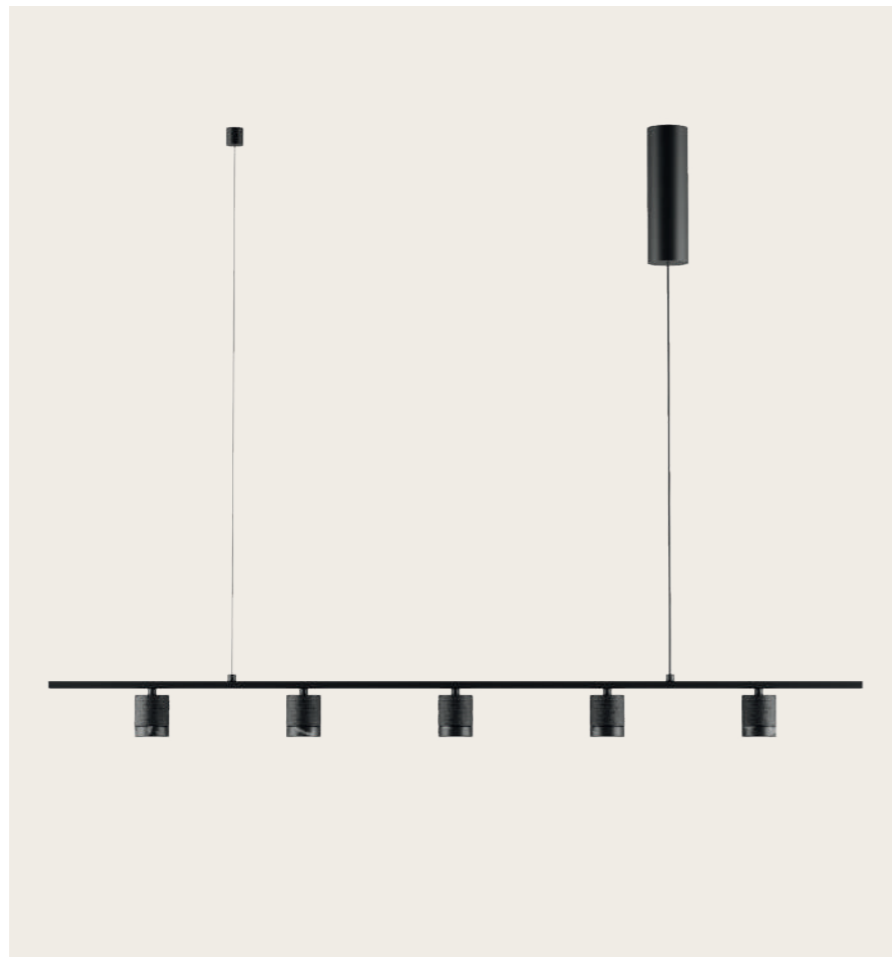


ICONS IP20 CE ENEC VDE

TEA

C1337/5

AC Studio
Design 2024



EN	MATERIALS	Metal / Marble
----	------------------	----------------

FINISHES	Combinations	Marble
	Metal	Black
	Matt black	White
	Aged gold	White
	Metallic grey	Brown

SPECIFICATIONS (UE)	5 x Chip CREE LED 6W 2700K 2850lm TRIAC dimmable 220-240V :50/60 Hz
----------------------------	---

ENERGY LABEL	F
---------------------	---

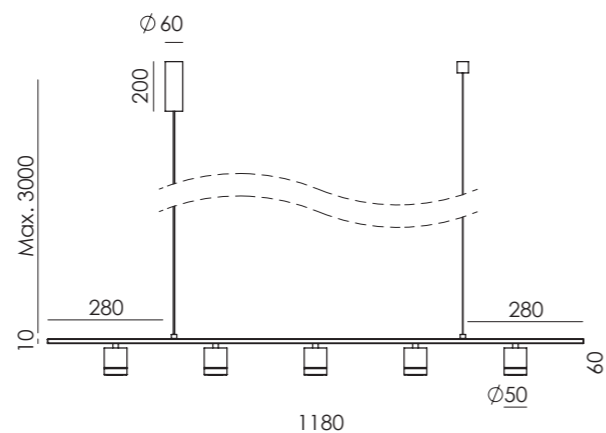
ES	MATERIALES	Metal / Mármol
----	-------------------	----------------

ACABADOS	Coombinations	Mármol
	Metal	Negro
	Negro mate	Blanco
	Oro envejecido	Blanco
	Gris metalizado	Marrón

ESPECIFICACIONES (UE)	5 x Chip CREE LED 6W 2700K 2820lm TRIAC regulable 220-240V :50/60 Hz
------------------------------	--

CLASIFICACIÓN ENERGÉTICA	F
---------------------------------	---

ICONS	IP20 CE RoHS V A++
-------	--------------------





TEA

C1337

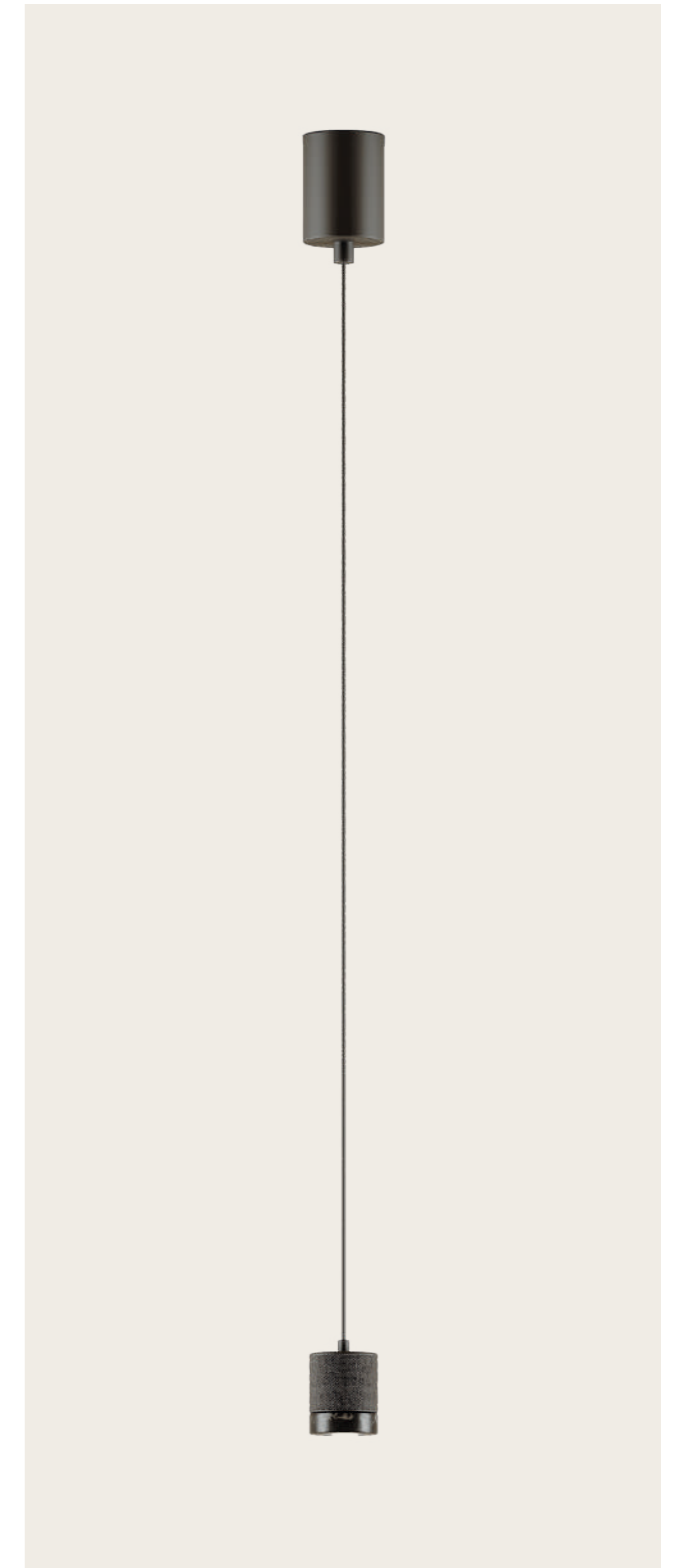
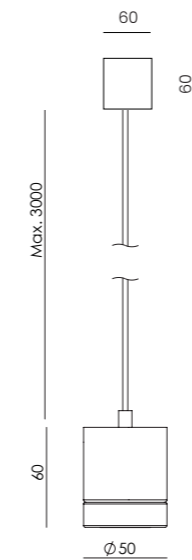


AC Studio
Design 2024

EN	MATERIALS Metal / Marble	
	FINISHES	Combinations
		Metal Marble
		Matt black Black
		Aged gold White
		Metallic grey Brown
	SPECIFICATIONS (UE)	Chip CREE LED 6W 2700K 600lm dimmable 220-240V ·50/60 Hz
	ENERGY LABEL	F

ES	MATERIALES Metal / Mármol	
	ACABADOS	Combinaciones
		Metal Mármol
		Negro mate Negro
		Oro envejecido Blanco
		Gris metalizado Marrón
	ESPECIFICACIONES (UE)	Chip CREE LED 6W 2700K 600lm regulable 220-240V ·50/60 Hz
	CLASIFICACIÓN ENERGÉTICA	F

ICONS

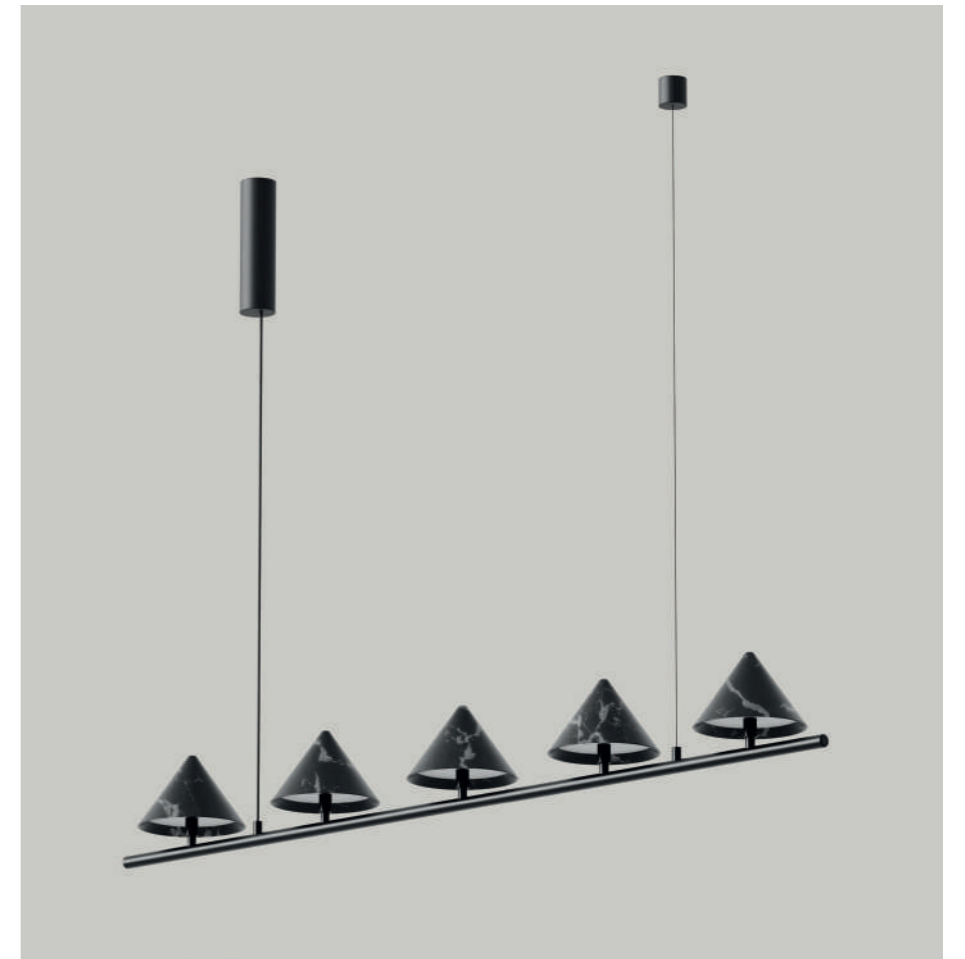




ANZA

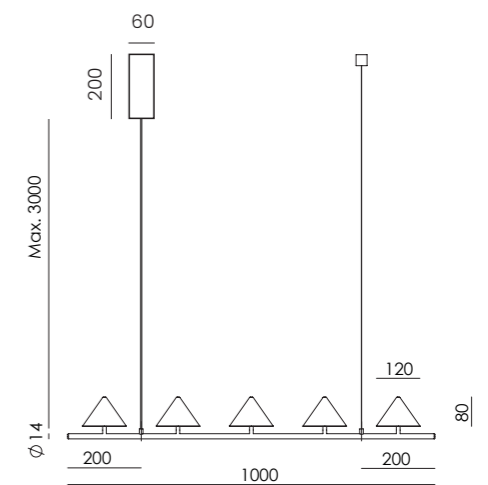
C1336/5

Pepe Fornas
Design 2024



EN	MATERIALS	Metal / Marble								
	FINISHES	<table border="1"> <tr> <td>Combinations</td> <td>Marble</td> </tr> <tr> <td>Metal</td> <td>Black</td> </tr> <tr> <td>Matt black</td> <td>Black</td> </tr> <tr> <td>Aged gold</td> <td>White</td> </tr> </table>	Combinations	Marble	Metal	Black	Matt black	Black	Aged gold	White
Combinations	Marble									
Metal	Black									
Matt black	Black									
Aged gold	White									
	SPECIFICATIONS (UE)	5 x LED plate 9W 2700K 3650lm dimmable 220-240V ·50/60 Hz								
	ENERGY LABEL	F								

ES	MATERIALES	Metal / Mármol								
	ACABADOS	<table border="1"> <tr> <td>Combinaciones</td> <td>Mármol</td> </tr> <tr> <td>Metal</td> <td>Negro</td> </tr> <tr> <td>Negro mate</td> <td>Negro</td> </tr> <tr> <td>Oro envejecido</td> <td>Blanco</td> </tr> </table>	Combinaciones	Mármol	Metal	Negro	Negro mate	Negro	Oro envejecido	Blanco
Combinaciones	Mármol									
Metal	Negro									
Negro mate	Negro									
Oro envejecido	Blanco									
	ESPECIFICACIONES (UE)	5 x Placa LED 9W 2700K 3650lm regulable 220-240V ·50/60 Hz								
	CLASIFICACIÓN ENERGÉTICA	F								



ICONS



ANZA

C1336

Pepe Fornas
Design 2024



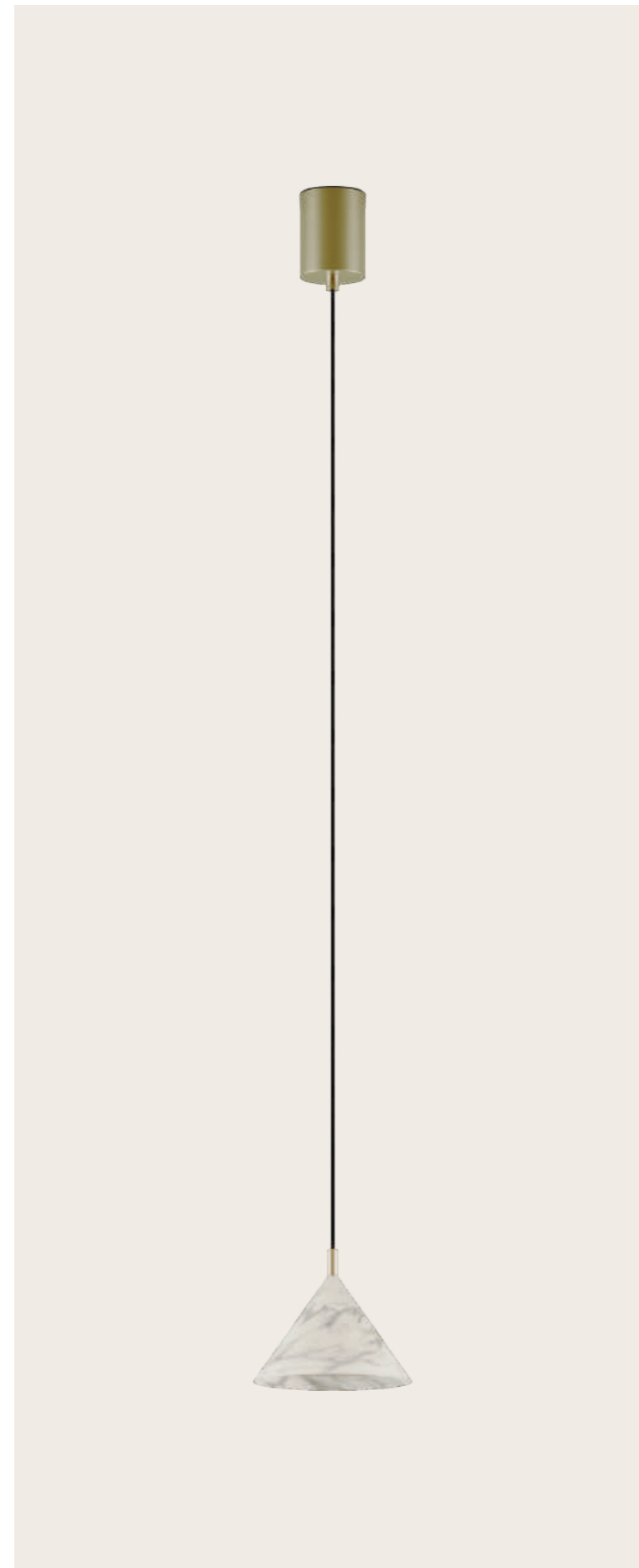
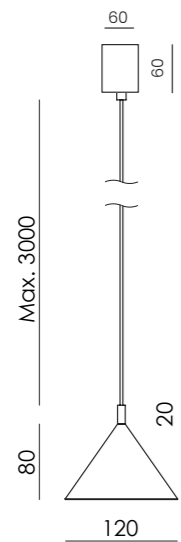
EN

MATERIALS	Metal / Marble								
FINISHES	<table><tr><td>Combinations</td><td></td></tr><tr><td>Metal</td><td>Marble</td></tr><tr><td>Matt black</td><td>Black</td></tr><tr><td>Aged gold</td><td>White</td></tr></table>	Combinations		Metal	Marble	Matt black	Black	Aged gold	White
Combinations									
Metal	Marble								
Matt black	Black								
Aged gold	White								
SPECIFICATIONS (UE)	LED plate 9W 2700K 810lm dimmable 220-240V -50/60 Hz								
ENERGY LABEL	F								

ES

MATERIALES	Metal / Mármol								
ACABADOS	<table><tr><td>Combinaciones</td><td></td></tr><tr><td>Metal</td><td>Mármol</td></tr><tr><td>Negro mate</td><td>Negro</td></tr><tr><td>Oro envejecido</td><td>Blanco</td></tr></table>	Combinaciones		Metal	Mármol	Negro mate	Negro	Oro envejecido	Blanco
Combinaciones									
Metal	Mármol								
Negro mate	Negro								
Oro envejecido	Blanco								
ESPECIFICACIONES (UE)	Placa LED 9W 2700K 810lm regulable 220-240V -50/60 Hz								
CLASIFICACIÓN ENERGÉTICA	F								

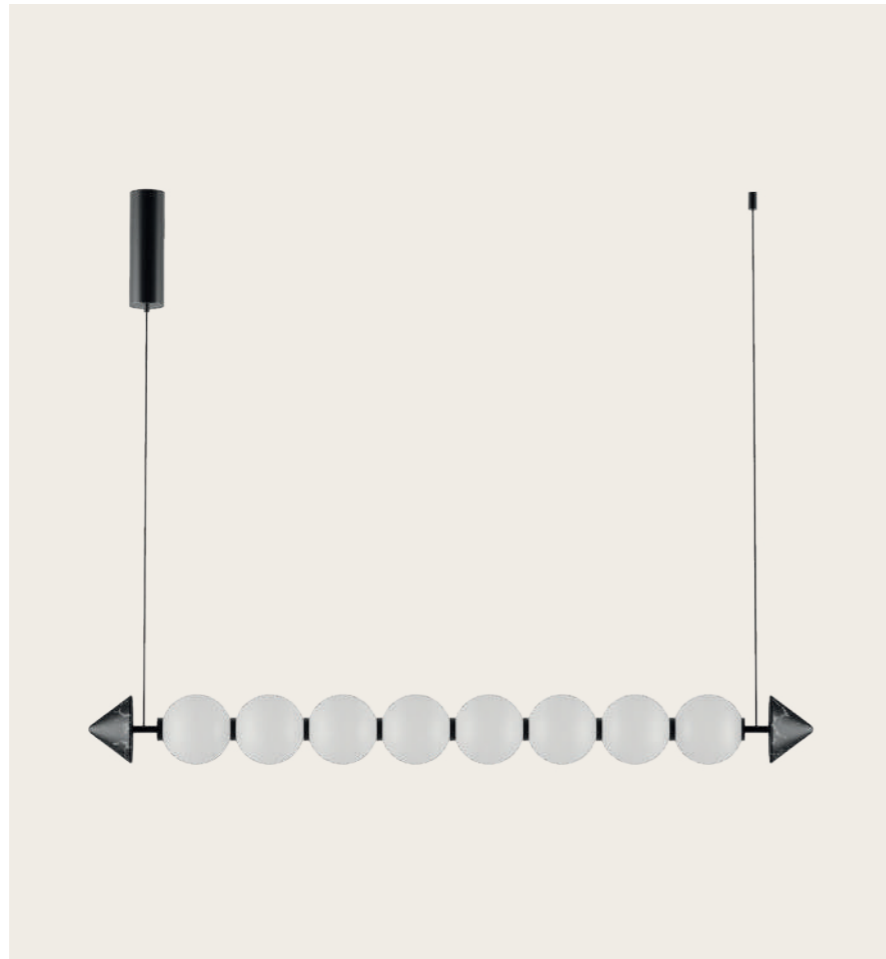
ICONS



SOKO

C1335/8

Pepe Fornas
Design 2024



EN

MATERIALS Metal / Marble / Glass

FINISHES

Combinations	Marble
Metal	Black
Matt black	White
Aged gold	
Shade	
Opal	

SPECIFICATIONS (UE) LED strip 22W 2700K 2250lm
TRIAC dimmable 220-240V
50/60 Hz

ENERGY LABEL F

ES

MATERIALES Metal / Mármol / Vidrio

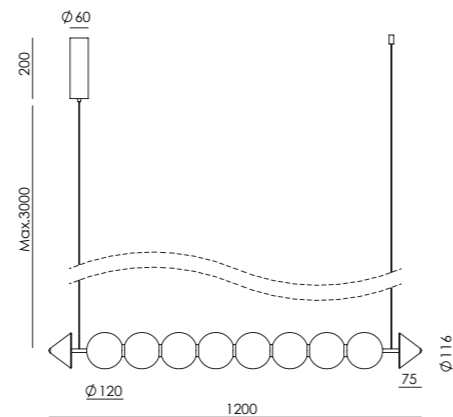
ACABADOS

Combinations	Mármol
Metal	Negro
Negro mate	Blanco
Oro envejecido	
Tulipa	
Opal	

ESPECIFICACIONES (UE) Tira de LED 22W 2700K 2250lm
TRIAC regulable 220-240V
50/60 Hz

CLASIFICACIÓN ENERGÉTICA F

ICONS



GINA

C1334

Pepe Fornas
Design 2024



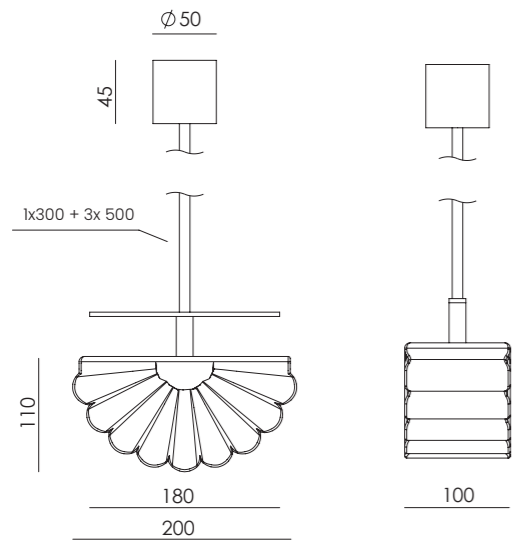
EN

MATERIALS	Metal / Glass	
FINISHES	Metal Matt Black Aged Gold	Glass Opal
SPECIFICATIONS (UE)	Bulb G9 5W 450lm 2700K dimmable 220-240 V, 50/60 Hz	
ENERGY LABEL	E	

ES

MATERIALES	Metal / Cristal	
ACABADOS	Metal Negro Mate Oro envejecido	Cristal Opal
ESPECIFICACIONES (UE)	Bombilla G9 5W 450lm 2700K regulable 220-240 V, 50/60 Hz	
ETIQUETA ENERGÉTICA	E	

ICONS





GINA

C1334/5

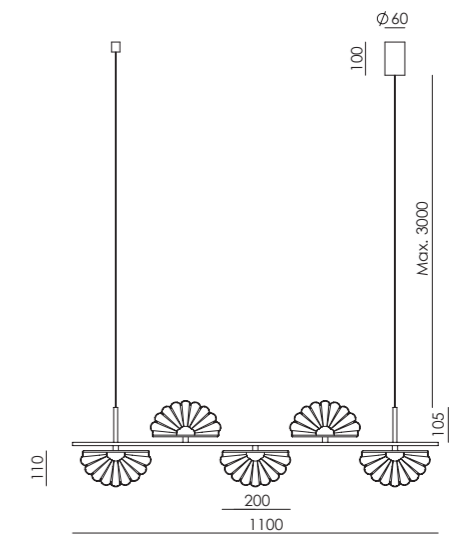


Pepe Fornas
Design 2024



EN	MATERIALS Metal / Glass	
	FINISHES Metal Matt Black Aged Gold	Glass Opal
	SPECIFICATIONS (UE) 5 x Bulb G9, 5W 2250lm 2700K dimmable 220-240 V, 50/60 Hz	
	ENERGY LABEL E	

ES	MATERIALES Metal / Cristal	
	ACABADOS Metal Negro Mate Oro envejecido	Cristal Opal
	ESPECIFICACIONES (UE) 5 x Bombilla G9, 5W 2250lm 2700K regulable 220-240 V, 50/60 Hz	
	ETIQUETA ENERGÉTICA E	



ICONS





this is a composition of c1331/10+
c1331/8 on one special canopy

HADO

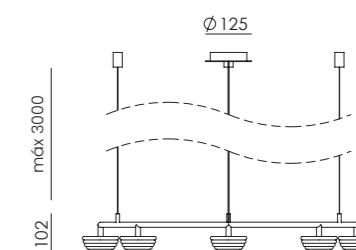
C1331/8



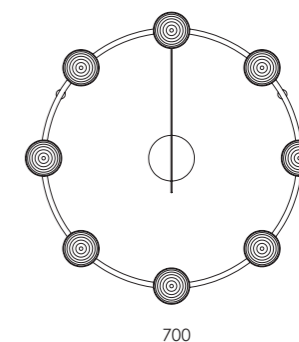
Pepe Fornas
Design 2024



EN	MATERIALS	Metal / Acrylic
	FINISHES	Metal Aged Gold Glass Optic clear striped
	SPECIFICATIONS (UE)	8 x Bulb G4 (included), 3W 1850lm 2700K dimmable 220-240 V, 50/60 Hz
	ENERGY LABEL	E



ES	MATERIALES	Metal / Cristal
	ACABADOS	Metal Oro envejecido Cristal Óptico transparente estriado
	ESPECIFICACIONES (UE)	8 x bombilla G4 (incluido), 3W 1850lm 2700K regulable 220-240 V, 50/60 Hz
	ETIQUETA ENERGÉTICA	E



ICONS



HADO

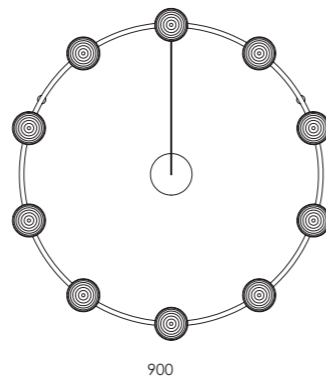
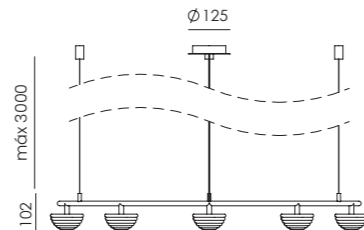
C1331/10



Pepe Fornas
Design 2024



EN	MATERIALS	Metal / Acrylic
	FINISHES	Metal Aged Gold Glass Optic clear striped
	SPECIFICATIONS (UE)	10 x Bulb G4, 3W 2150lm 2700K dimmable 220-240 V, 50/60 Hz
	ENERGY LABEL	E



ES	MATERIALES	Metal / Cristal
	ACABADOS	Metal Oro envejecido Cristal Óptico transparente estriado
	ESPECIFICACIONES (UE)	10 x bombilla G4, 3W 2150lm 2700K regulable 220-240 V, 50/60 Hz
	ETIQUETA ENERGÉTICA	E

ICONS



HADO

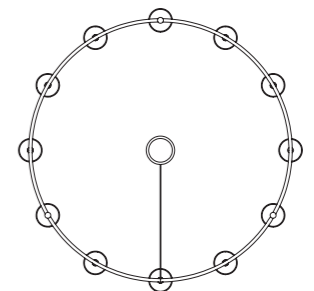
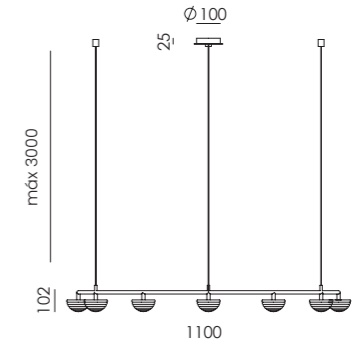
C1331/12



Pepe Fornas
Design 2024



EN	MATERIALS	Metal / Acrylic
	FINISHES	Metal Aged Gold Glass Optic clear striped
	SPECIFICATIONS (UE)	12 x Bulb G4, 3W 2450lm 2700K dimmable 220-240 V, 50/60 Hz
	ENERGY LABEL	E



ES	MATERIALES	Metal / Cristal
	ACABADOS	Metal Oro envejecido Cristal Óptico transparente estriado
	ESPECIFICACIONES (UE)	12 x bombilla G4, 3W 2450lm 2700K regulable 220-240 V, 50/60 Hz
	ETIQUETA ENERGÉTICA	E

ICONS





CRAM

C1329/6

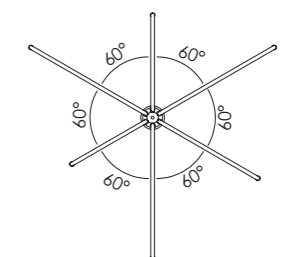
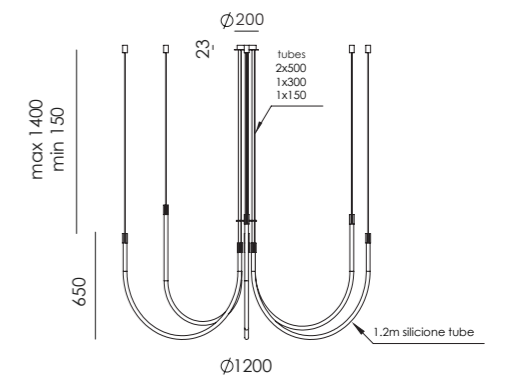


JF Sevilla
Design 2024



EN	MATERIALS	Metal / Silicone
	FINISHES	Metal Aged gold Matt black
		Tubes Opal
	SPECIFICATIONS (UE)	LED strip 6x20W 3150lm 2700K dimmable 220-240 V, 50/60 Hz
	ENERGY LABEL	F

ES	MATERIALES	Metal / Silicona
	ACABADOS	Metal Oro envejecido Negro mate
		Tubos Opal
	ESPECIFICACIONES (UE)	Tira de LED 6x20W 3150lm 2700K regulable 220-240 V, 50/60 Hz
	CLASIFICACIÓN ENERGÉTICA	F



ICONS

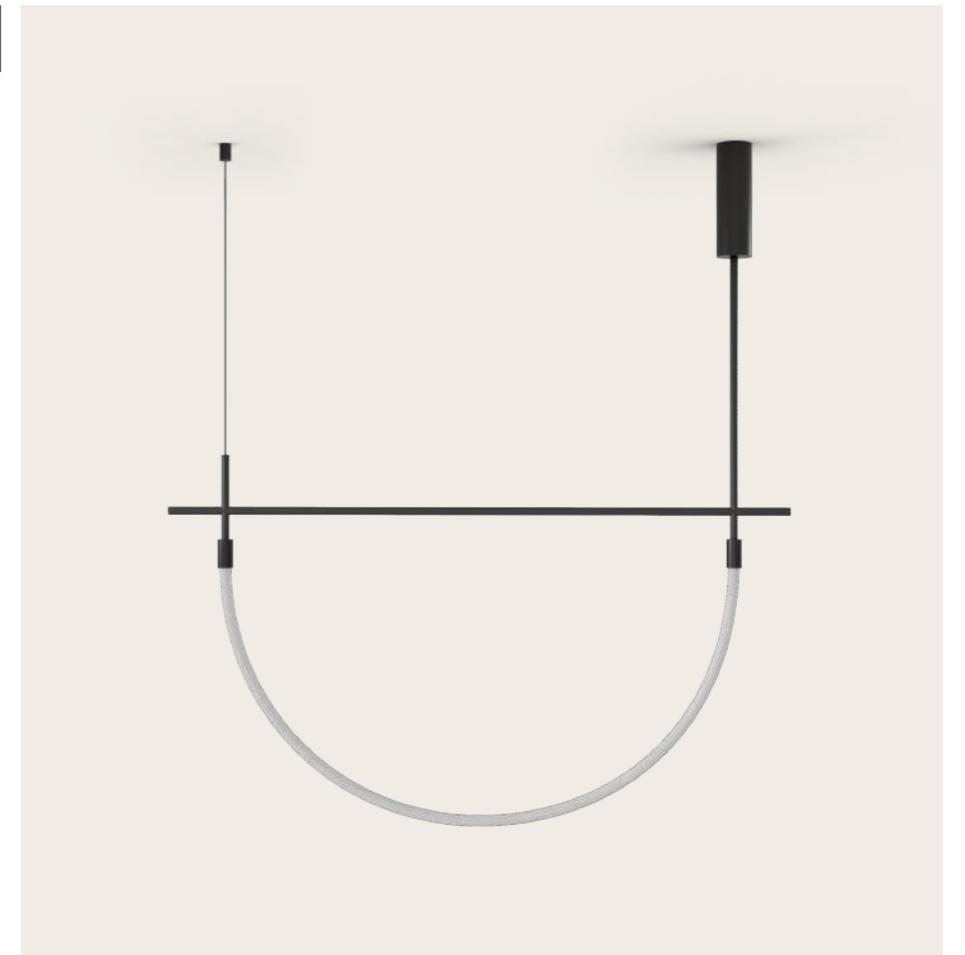




CRAM

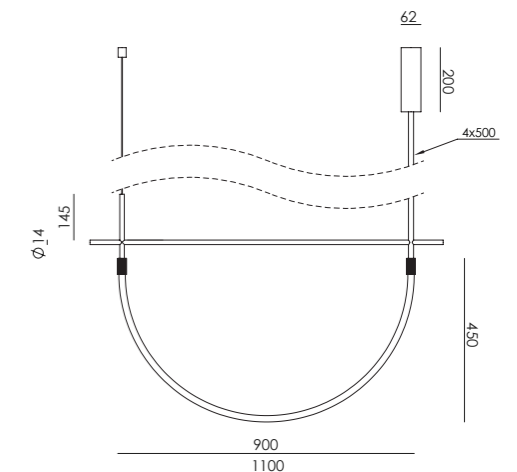
C1329

JF Sevilla
Design 2024



EN	MATERIALS	Metal / Silicone
	FINISHES	Metal Aged gold Matt black
		Tubes Opal
	SPECIFICATIONS (UE)	LED strip 20W 1500lm 2700K dimmable 220-240 V, 50/60 Hz
	ENERGY LABEL	F

ES	MATERIALES	Metal / Silicona
	ACABADOS	Metal Oro envejecido Negro mate
		Tubos Opal
	ESPECIFICACIONES (UE)	Tira de LED 20W 1500lm 2700K regulable 220-240 V, 50/60 Hz
	CLASIFICACIÓN ENERGÉTICA	F



ICONS	IP20 CE
--------------	------------------



LERA

C1323

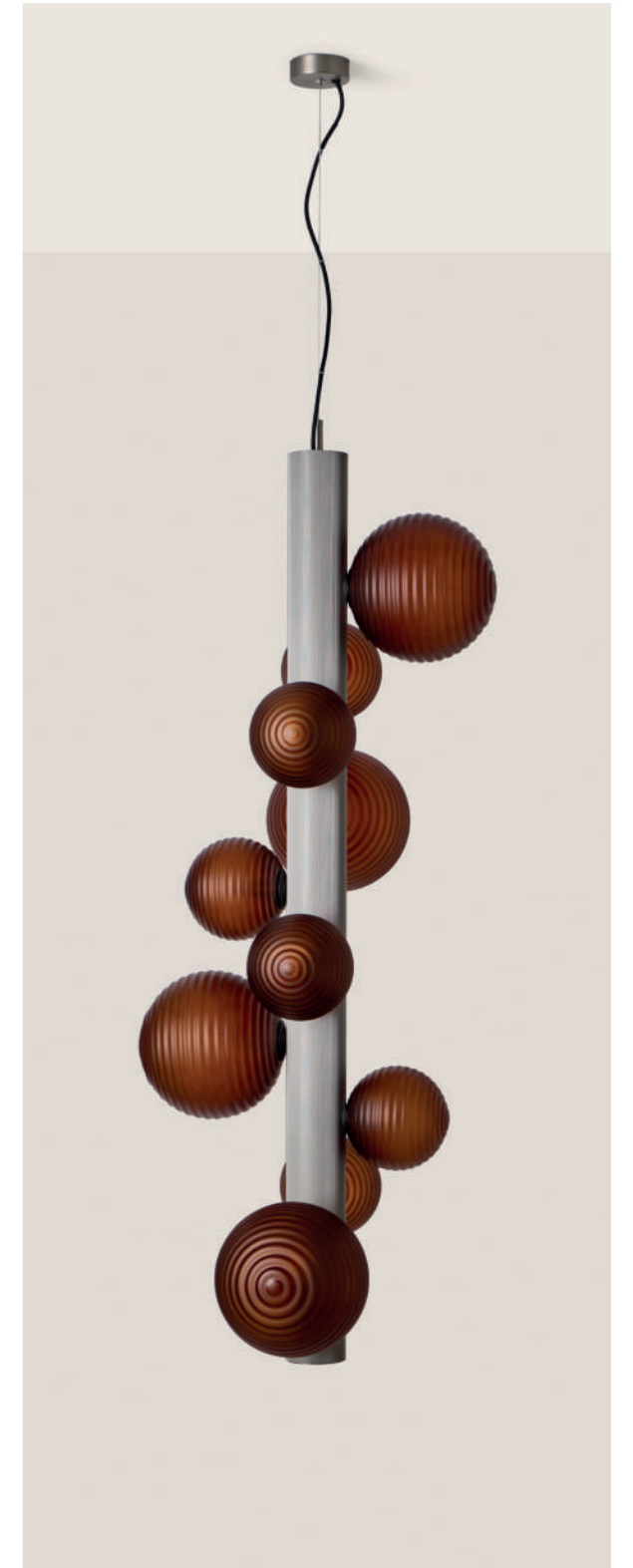
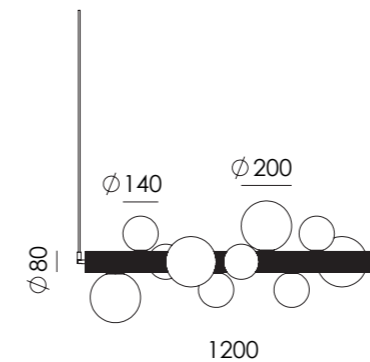
JF Sevilla
Design 2024



EN	MATERIALS Metal / Glass	
	FINISHES Metal Matt Black Aged Gold Nickel	Glass Opal Smoked brown
	SPECIFICATIONS (UE) 10 x G9 5W 2700K 3200lm Opal shade included (add 1323/200/OPAL x 4 + 1323/140/OPAL x 6) 24 V, 50/60 Hz	
	ENERGY LABEL E	

ES	MATERIALES Metal / Glass	
	ACABADOS Metal Negro Mate Oro envejecido Niquel	Cristal Opal Fumé marron
	ESPECIFICACIONES (UE) 10 x G9 5W 2700K 3200lm Tulipas opales rayadas incluidas (añadir 1323/200/OPAL x 4 + 1323/140/OPAL x 6) 24 V, 50/60 Hz	
	ETIQUETA ENERGÉTICA E	

ICONS



CANNA

C1319/L

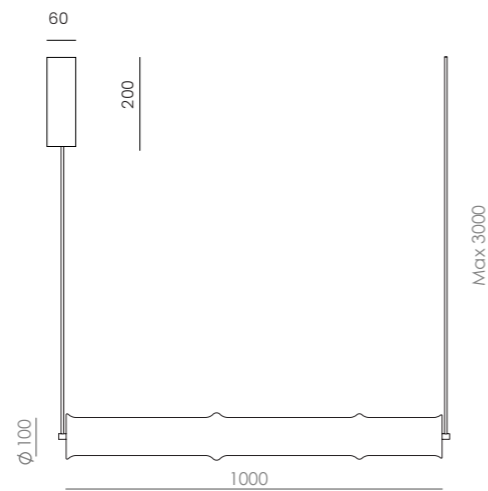


Agus Gascón
Design 2023



EN	MATERIALS	Metal Glass	
	FINISHES	Metal Aged gold Textured matt Black	Glass Opal
	SPECIFICATIONS (UE)	LED strip dimmable 20W - 2700K - 1650 lm 220-240 V - 50/60 Hz	
	ENERGY LABEL	F	

ES	MATERIALES	Metal Vidrio	
	ACABADOS	Metal Oro envejecido Negro mate texturizado	Vidrio Opal
	ESPECIFICACIONES (UE)	Tira LED regulable 20W - 2700K - 1650 lm 220-240 V - 50/60 Hz	
	ETIQUETA ENERGÉTICA	F	



ICONS



CANNA

C1319/S

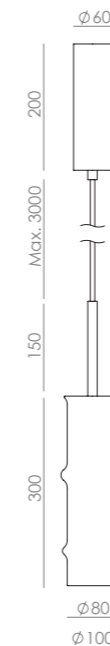


Agus Gascón
Design 2024

EN	MATERIALS	Metal / Acrylic	
	FINISHES	Metal Matt Black Aged gold	Shade Opal
	SPECIFICATIONS (UE)	LED strip dimmable 9W 2700K 750lm 220-240V/24 V, 50/60 Hz	
	ENERGY LABEL	F	

ES	MATERIALES	Metal / Acrílico	
	ACABADOS	Metal Negro mate Oro envejecido	Tulipa Opal
	ESPECIFICACIONES (UE)	Tira LED regulable 9W 2700K 750lm 220-240V/24 V, 50/60 Hz	
	CLASIFICACIÓN ENERGÉTICA	F	

ICONS



REMS

C1318/2



JF Sevilla
Design 2023



EN			
MATERIALS	Metal / Acrylic / Leather		
FINISHES	Metal Matt black	Shade Black leather Orange leather Light brown leather Dark brown leather	Diffuser Squared transparent acrylic
SPECIFICATIONS (UE)	2 x Dimmable E27 LED (Included) 9W - 2700 K - 1800 lm, 220-240 - 50/60 Hz		
ENERGY LABEL	E		

ADJUSTABLE HEIGHT The height is configured during the installation of the pendant, threading the different tubes (4x50 cm)

ES			
MATERIALES	Metal / Acrílico / Cuero		
ACABADOS	Metal Negro mate	Pantalla Cuero negro Cuero naranja Cuero marrón claro Cuero marrón oscuro	Difusor Acrílico transparente cuadrículado
ESPECIFICACIONES (UE)	2 x E27 LED regulable (Incluidas) 9W - 2700 K - 1800 lm, 220-240 - 50/60 Hz		
ETIQUETA ENERGÉTICA	E		

ALTURA REGULABLE La altura se configura durante la instalación del colgante, roscando los diferentes tubos (4x50cm)

ICONS



REMS

C1318

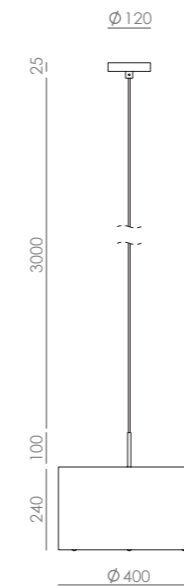
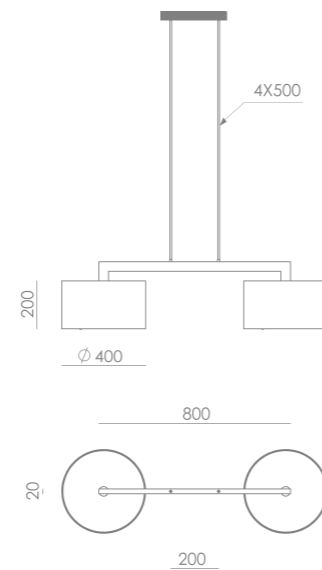
JF Sevilla
Design 2023



EN			
MATERIALS	Metal / Acrylic / Leather		
FINISHES	Metal Matt black	Shade Black leather Orange leather Light brown leather Dark brown leather	Diffuser Squared transparent acrylic
SPECIFICATIONS (UE)	Dimmable E27 LED (Included) 9W - 2700K - 900 lm 220-240 V - 50/60 Hz		
ENERGY LABEL	E		

ES			
MATERIALES	Metal / Acrílico / Cuero		
ACABADOS	Metal Negro mate	Pantalla Cuero negro Cuero naranja Cuero marrón claro Cuero marrón oscuro	Difusor Acrílico transparente cuadrículado
ESPECIFICACIONES (UE)	Bombilla E27 regulable (incluida) 9W 2700K 900lm 220-240 V, 50/60 Hz		
ETIQUETA ENERGÉTICA	E		

ICONS



IPON

C1316/4

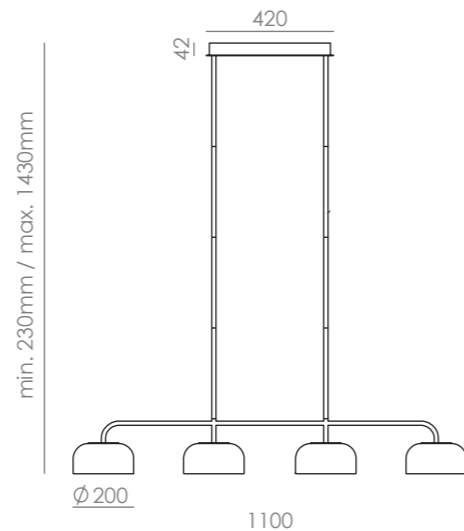


AC Studio
Design 2023



Colour glass:
Blue

EN	MATERIALS	Metal / Acrylic	
	FINISHES	Metal Matt black Aged Gold	Glass Blue*
	SPECIFICATIONS (UE)	4 x LED plate 10W 2700K TRIAC dimmable 24 V 220-240 V, 50/60 Hz 3200 lm	
	ENERGY LABEL	F	
	ADJUSTABLE HEIGHT	The height is configured during the installation of the pendant, threading the different tubes (2x60+8x30+2x15 cm)	
ES	MATERIALES	Metal / Acrílico	
	ACABADOS	Metal Negro Mate Oro envejecido	Cristal Azul*
	ESPECIFICACIONES (UE)	4 x Placa LED 10W 2700K TRIAC regulable 24 V 220-240 V, 50/60 Hz 3200 lm	
	ETIQUETA ENERGÉTICA	F	
	ALTURA REGULABLE	La altura se configura durante la instalación del colgante, roscando los diferentes tubos (2x60+8x30+2x15 cm)	



*Other smoked finish (Ambar / Greenish Brown / Grey / Blue)
Otros acabados ahumados (Ambar / Marrón verdoso / Gris / Azul)

IPON

C1316/1

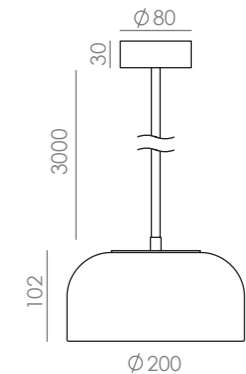


AC Studio
Design 2023



Colour glass:
Blue
Grey

EN	MATERIALS	Metal / Glass	
	FINISHES	Metal Matt black Aged gold	Shade Clear*
	SPECIFICATIONS (UE)	LED plate dimmable TRIAC dimmable driver on canopy 10 W - 2700 K - 810 lm 220-240V - 50/60 Hz	
	ENERGY LABEL	F	
ES	MATERIALES	Metal / Cristal	
	ACABADOS	Cuerpo Negro Mate Oro envejecido	Pantalla Transparente*
	ESPECIFICACIONES (UE)	Placa LED regulable Driver regulador TRIAC en el florón 10W - 220-240V - 50/60 Hz	
	ETIQUETA ENERGÉTICA	F	



*Other smoked finish (Ambar / Greenish Brown / Grey / Blue)
Otros acabados ahumados (Ambar / Marrón verdoso / Gris / Azul)

ICONS



PEPO

C1315

Pepe Fornas
Design 2023



EN MATERIALS Metal rods / stripped glass / Acrylic

FINISHES

Metal	Diffuser
Matt Black	Acrylic
Aged gold	Glass
	Stripped clear

SPECIFICATIONS (UE) LED strip TRIAC dimmable
C1315/40 - 15W - 2700K - 1080lm
C1315/60 - 15W - 2700K - 1080lm
C1315/70 - 9W - 2700K - 720lm
220-240 V - 50/60 Hz

ENERGY LABEL F

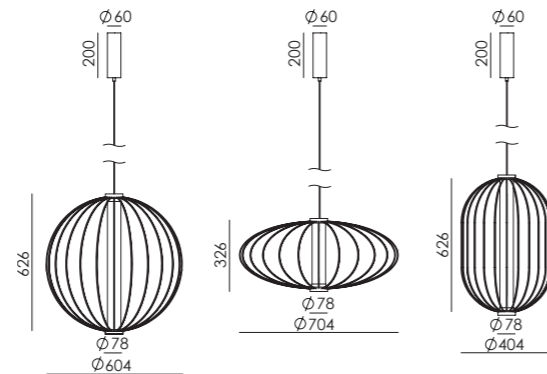
ES MATERIALES Metal / Vidrio estriado / Acrílico

ACABADOS

Metal	Difusor
Negro mate	Acrílico
Oro envejecido	Vidrio
	Transparente estriado

ESPECIFICACIONES (UE) Tira LED TRIAC regulable
C1315/40 - 15W - 2700K - 1080lm
C1315/60 - 15W - 2700K - 1080lm
C1315/70 - 9W - 2700K - 720lm
220-240 V - 50/60 Hz

ETIQUETA ENERGÉTICA F



ICONS





NIRO

C1314

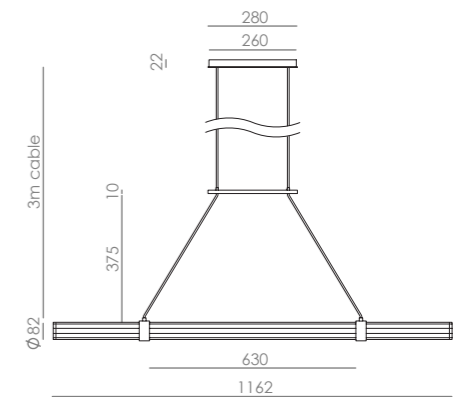


JF Sevilla
Design 2023



EN	MATERIALS	Aluminium profile / wood / Acrylic		
	FINISHES	Metal Aged gold Matt black	Wood Walnut	Diffuser Acrylic
	SPECIFICATIONS (UE)	LED strip TRIAC dimmable driver 30 W - 2700 K - 1850 lm 220-240 V - 50/60 Hz		
	ENERGY LABEL	F		

ES	MATERIALES	Perfil de aluminio / Madera / Acrílico		
	ACABADOS	Metal Oro envejecido Negro mate	Madera Nogal	Difusor Acrílico
	ESPECIFICACIONES (UE)	Tira LED Driver regulador TRIAC 30 W - 2700 K - 1850 lm 220-240 V - 50/60 Hz		
	ETIQUETA ENERGÉTICA	F		



ICONS IP20 CE RoHS

TURA

C1313

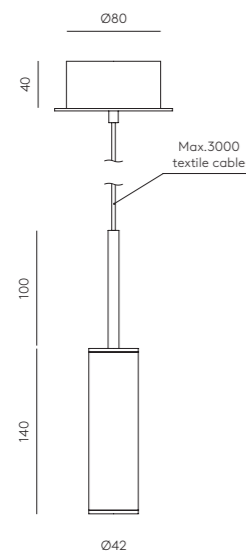
JF Sevilla
Design 2023



EN	MATERIALS Steel / Leather	
FINISHES	Metal Matt black	Leather Black Brown Orange
SPECIFICATIONS (UE)	LED chip 5W 2700K dimmmable - 500 lm 24V, 50/60Hz	
ENERGY LABEL	F	

ES	MATERIALES Metal / Cuero	
ACABADOS	Metal Negro mate	Cuero Negro Marrón Naranja
ESPECIFICACIONES (UE)	Chip LED 5W 2700K Regulable - 500lm 24V, 50/60 Hz	
ETIQUETA ENERGÉTICA	F	

ICONS



Leather color:
Orange / Black



TURA C

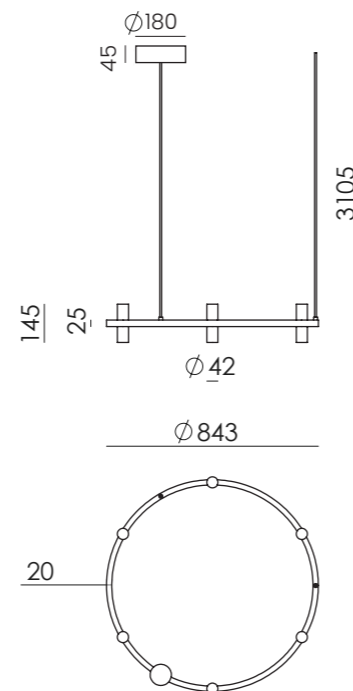
C1313/C



JF Sevilla
Design 2023



EN	MATERIALS	Steel / Leather												
	FINISHES	<table border="0"> <tr> <td>Metal</td> <td>Head</td> </tr> <tr> <td>Matt black</td> <td>Black leather</td> </tr> <tr> <td></td> <td>Light Brown leather</td> </tr> <tr> <td></td> <td>Dark Brown leather</td> </tr> <tr> <td></td> <td>Orange leather</td> </tr> <tr> <td></td> <td>Gold metal</td> </tr> </table>	Metal	Head	Matt black	Black leather		Light Brown leather		Dark Brown leather		Orange leather		Gold metal
Metal	Head													
Matt black	Black leather													
	Light Brown leather													
	Dark Brown leather													
	Orange leather													
	Gold metal													
	SPECIFICATIONS (UE)	12 x LED COB, 3W, 2700K, 210 lm CCT controler + dimmable driver on canopy (adjust intensity and temperature color of the light) 220-240V, 50/60Hz, IP20												
	ENERGY LABEL	F												
ES	MATERIALES	Metal / Cuero												
	ACABADOS	<table border="0"> <tr> <td>Metal</td> <td>Cabezal</td> </tr> <tr> <td>Negro mate</td> <td>Cuero negro</td> </tr> <tr> <td></td> <td>Cuero Marrón Claro</td> </tr> <tr> <td></td> <td>Cuero Marrón Oscuro</td> </tr> <tr> <td></td> <td>Cuero Naranja</td> </tr> <tr> <td></td> <td>Metal Oro</td> </tr> </table>	Metal	Cabezal	Negro mate	Cuero negro		Cuero Marrón Claro		Cuero Marrón Oscuro		Cuero Naranja		Metal Oro
Metal	Cabezal													
Negro mate	Cuero negro													
	Cuero Marrón Claro													
	Cuero Marrón Oscuro													
	Cuero Naranja													
	Metal Oro													
	ESPECIFICACIONES (UE)	12 x LED COB, 3W, 2700K, 210 lm Controlador CCT + driver regulable en la marquesina (ajuste de intensi- dad y temperatura de color de la luz) 220-240V, 50/60Hz, IP20												
	ETIQUETA ENERGÉTICA	F												



IP20 CE E A++

ELMA

C1312/L

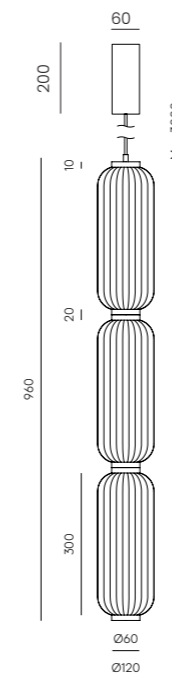


Pepe Fornas
Design 2023

EN	MATERIALS	Metal / Glass / Acrylic										
	FINISHES	<table border="0"> <tr> <td>Metal</td> <td>Glass</td> </tr> <tr> <td>Matt Black</td> <td>Striped glass</td> </tr> <tr> <td>Aged gold</td> <td>Transparent</td> </tr> <tr> <td></td> <td>Acrylic</td> </tr> <tr> <td></td> <td>Opal</td> </tr> </table>	Metal	Glass	Matt Black	Striped glass	Aged gold	Transparent		Acrylic		Opal
Metal	Glass											
Matt Black	Striped glass											
Aged gold	Transparent											
	Acrylic											
	Opal											
	SPECIFICATIONS (UE)	LED strip 3x9W 2700K TRIAC dimmable 24V, 50/60Hz - 2700 lm										
	ENERGY LABEL	F										
ES	MATERIALES	Metal / Vidrio / Acrílico										
	ACABADOS	<table border="0"> <tr> <td>Metal</td> <td>Cristal</td> </tr> <tr> <td>Negro mate</td> <td>Cristal estriado</td> </tr> <tr> <td>Oro envejecido</td> <td>Transparente</td> </tr> <tr> <td></td> <td>Acrílico</td> </tr> <tr> <td></td> <td>Opal</td> </tr> </table>	Metal	Cristal	Negro mate	Cristal estriado	Oro envejecido	Transparente		Acrílico		Opal
Metal	Cristal											
Negro mate	Cristal estriado											
Oro envejecido	Transparente											
	Acrílico											
	Opal											
	ESPECIFICACIONES (UE)	Tira LED 3x9W 2700K TRIAC regulable 24V, 50/60 Hz - 2700 lm										
	ETIQUETA ENERGÉTICA	F										

ICONS

IP20 CE E A++



ELMA

C1312/S

Pepe Fornas
Design 2023



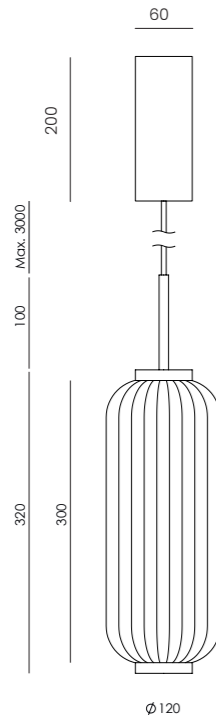
EN

MATERIALS	Metal / Glass / Acrylic	
FINISHES	Metal Matt Black Aged gold	Glass Striped Clear Acrylic Opal
SPECIFICATIONS (UE)	LED strip 9W 2700K TRIAC dimmable 24V, 50/60Hz - 900 lm	
ENERGY LABEL	F	

ES

MATERIALES	Metal / Vidrio / Acrílico	
ACABADOS	Metal Negro mate Oro envejecido	Cristal Estriado Transparente / Acrílico Opal
ESPECIFICACIONES (UE)	Tira LED 9W 2700K TRIAC regulable 24V, 50/60 Hz - 900 lm	
ETIQUETA ENERGÉTICA	F	

ICONS IP20 CE RoHS



ELLI

C1311/L

JF Sevilla
Design 2023

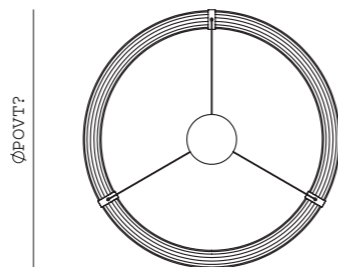
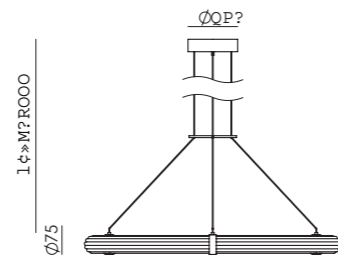


EN

MATERIALS	Metal / Acrylic	
FINISHES	Metal Matt Black Aged Gold Acrylic - Opal	Details Matt black
SPECIFICATIONS (UE)	LED strip 22W dimmable CCT+TRIAC driver 24V, 50/60Hz - 3000 lm	
ENERGY LABEL	F	

ES

MATERIALES	Metal / Acrílico	
ACABADOS	Metal Negro mate Oro envejecido Acrílico - Opal	Detalles Negro mate
ESPECIFICACIONES (UE)	Tira LED 22W CCT+ TRIAC regulador 24V, 50/60 Hz - 3000 lm	
ETIQUETA ENERGÉTICA	F	



ICONS



ELLI

C1311/S

JF Sevilla
Design 2023



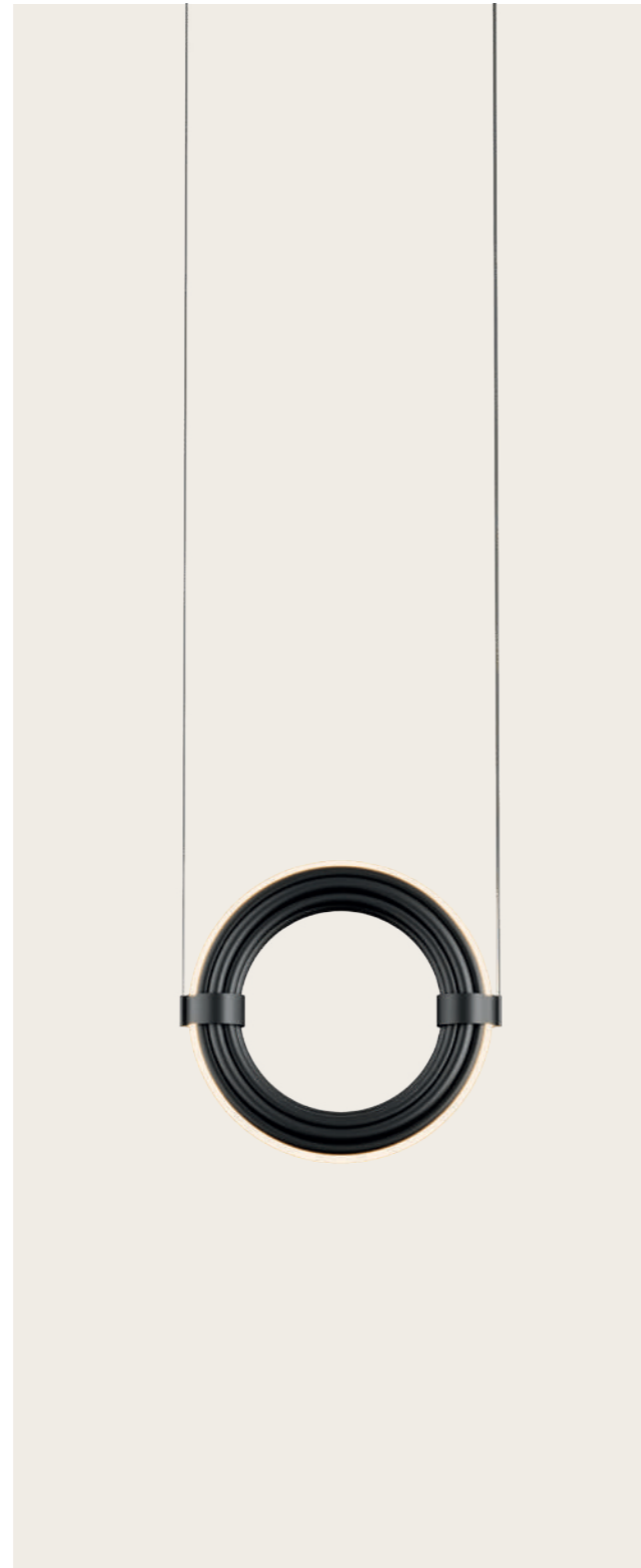
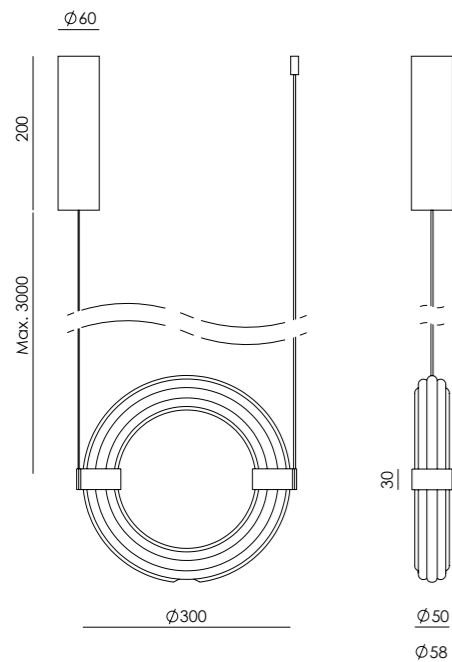
EN

MATERIALS	Metal Glass	
FINISHES	Metal Aged gold Matt black Glass Opal	Details Matt black
SPECIFICATIONS (UE)	LED strip, 5W 500lm 2700K TRIAC dimmable 220-240V - 50/60Hz	
ENERGY LABEL	F	

ES

MATERIALES	Metal Acrílico	
ACABADOS	Metal Oro envejecido Negro mate Acrílico Opal	Detalles Negro mate
ESPECIFICACIONES (UE)	Tira de LED, 5W 500lm 2700K TRIAC regulable 220-240V - 50/60Hz	
ETIQUETA ENERGÉTICA	F	

ICONS



DOUL

C1310

Agus Gascón
Design 2023



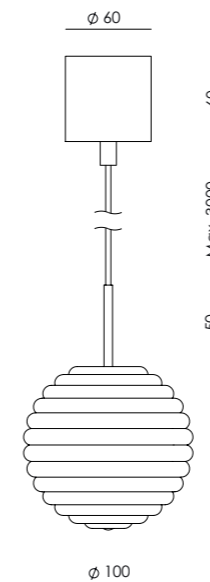
EN

MATERIALS	Steel / Glass	
FINISHES	Body Matt black Aged gold	Glass Striped glass Transparent
SPECIFICATIONS (UE)	G4 LED 3W 2700K Regulable (Incluida) 220-240 V, 50/60 Hz 270lm	
ENERGY LABEL	E	

ES

MATERIALES	Metal / Vidrio	
ACABADOS	Cuerpo Negro mate Oro envejecido	Cristal Cristal rayado Transparente
ESPECIFICACIONES (UE)	G4 LED 3W 2700K Adjustable (Included) 220-240V, 50/60Hz 270lm	
CLASIFICACIÓN ENERGÉTICA	E	

ICONS



BIG DUSSA

C1307/L

Pepe Fornas
Design 2023



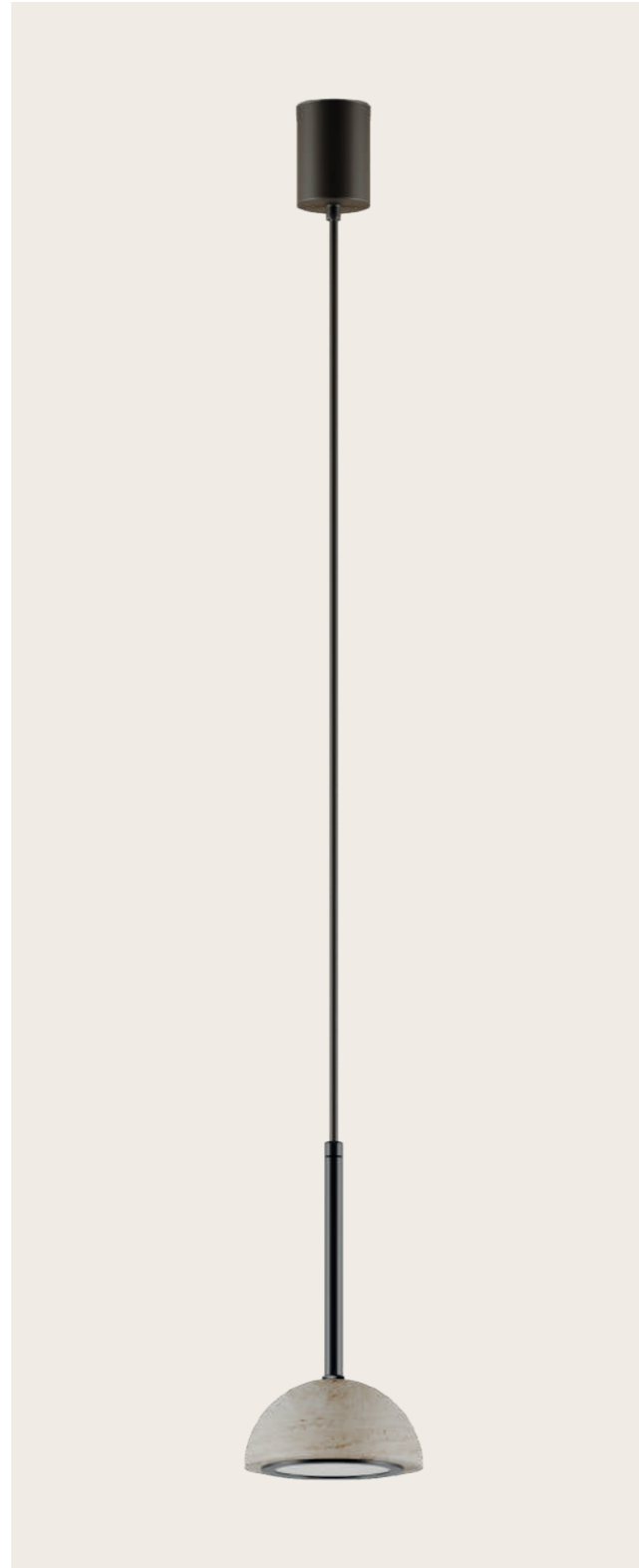
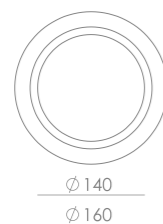
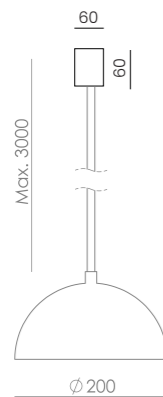
EN

MATERIALS	Metal Marble	
FINISHES	Body Matt black Aged gold	Shade Travertine
SPECIFICATIONS (UE)	LED plate 9W 900lm 2700K Dimmer Dali-Push driver 24V, 220-240 V, 50/60 Hz	
ENERGY LABEL	E	

ES

MATERIALES	Mármol Metal	
ACABADOS	Cuerpo Negro mate Oro envejecido	Tulipa Travertino
ESPECIFICACIONES (UE)	Placa LED 9W 900lm 2700K Regulador por Dali-Push 220-240 V, 50/60 Hz	
CLASIFICACIÓN ENERGÉTICA	E	

ICONS



DUSSA

C1307

Pepe Fornas
Design 2022



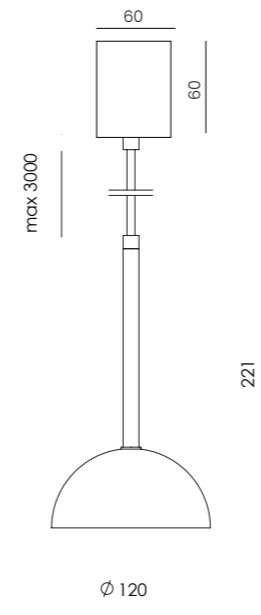
EN

MATERIALS	Steel/Marble	
FINISHES	Metal Matt black Aged gold	Mármol Black White
SPECIFICATIONS (UE)	Led Plate 9W 2700K Dimmer Dali-Push driver 24 V, 50/60 Hz 900lm	

ES

MATERIALES	Metal / Mármol	
ACABADOS	Metal Negro mate Oro envejecido	Mármol Negro Blanco
ESPECIFICACIONES (UE)	Placa LED 9W - 2700K Regulador por Dali-Push 24 V, 50/60 Hz 900lm	

ICONS



DUSSA

C1307/6

Pepe Fornas
Design 2022



EN	MATERIALS	Steel/Marble
-----------	------------------	--------------

FINISHES	Combinations	Marble
	Steel	Black
	Matt black	White
	Aged gold	Travertine
	Matt black	

SPECIFICATIONS (UE)	6 x Led Plate 9W 2700K Dimmer Dali-Push driver 24 V, 50/60 Hz 5400lm
----------------------------	---

ADJUSTABLE HEIGHT	The height is configured during the installation of the pendant, threading the different tubes (4x50 cm)
--------------------------	--

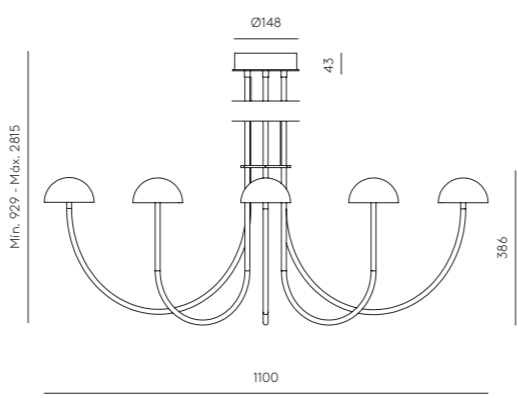
ES	MATERIALES	Metal / Mármol
-----------	-------------------	----------------

ACABADOS	Combinaciones	Mármol
	Metal	Negro
	Negro mate	Blanco
	Oro envejecido	Travertino
	Negro mate	

ESPECIFICACIONES (UE)	6 x Placa LED 9W - 2700K Regulador por Dali-Push 24 V, 50/60 Hz 5400lm
------------------------------	---

ALTURA REGULABLE	La altura se configura durante la instalación del colgante, roscando los diferentes tubos (4x50 cm)
-------------------------	---

ICONS	IP20 CE RoHS ENEC
--------------	-------------------



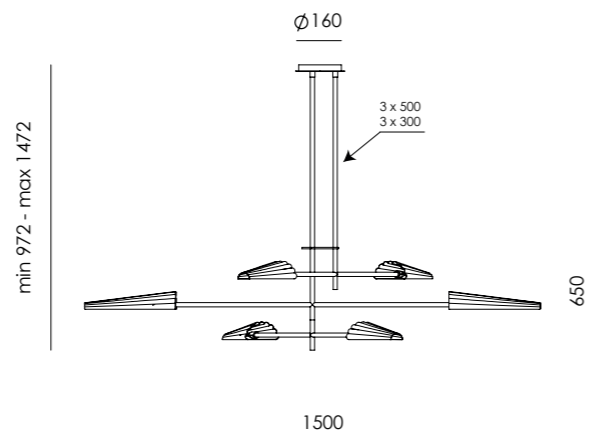
BION

C1306

Pepe Fornas
Design 2022



EN	MATERIALS		Steel
	FINISHES	Steel	Shade
		Matt black Aged gold	Matt black Matt white
	SPECIFICATIONS (UE)	6xG9 LED 5W 2700lm 2700K (Included) Dimmable 220-240 V, 50/60 Hz	
	ENERGY LABEL	E	
	ADJUSTABLE HEIGHT	The height is configured during the installation of the pendant, threading the different tubes (3x30 cm + 3x50 cm)	
ES	MATERIALES		Metal
	ACABADOS	Metal	Tulipa
		Negro mate Oro envejecido	Negro mate Blanco mate
	ESPECIFICACIONES (UE)	6xG9 LED 5W 2700lm 2700K (Incluida) Regulable 220-240 V, 50/60 Hz	
	CLASIFICACIÓN ENERGÉTICA	E	
	ALTURA REGULABLE	La altura se configura durante la instalación del colgante, rosando los diferentes tubos (3x30 cm + 3x50 cm)	



ICONS





ICONIC

C1300

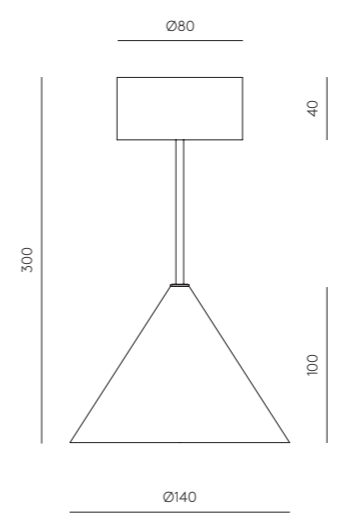
Agus Gascón
Design 2022



EN	MATERIALS		Steel / Marble
	FINISHES	Metal	Marble
		Matt Black Aged Gold	Finnish Marble
	SPECIFICATIONS (UE)	LED plate 7W 2700K 700lm Dimmable 220-240V - 24V - 50/60 Hz	
	ENERGY LABEL	F	

ES	MATERIALES		Acero / Mármol
	ACABADOS	Metal	Mármol
		Negro mate Oro envejecido	Finlandés
	ESPECIFICACIONES (UE)	Placa LED 7W 2700K 700lm Regulable 220-240V - 24V - 50/60 Hz	
	ETIQUETA ENERGÉTICA	F	

ICONS IP20 CE RoHS REACH





ONETA

C1299

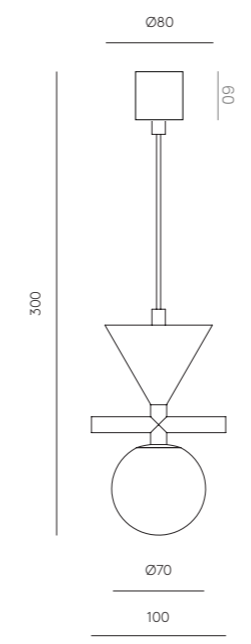


Pepe Fornas
Design 2024

EN	MATERIALS Steel / Marble / Glass		
FINISHES	Metal Matt black Aged Gold	Marble Matt white Matt black	Glass Opal Opal
SPECIFICATIONS (UE)	G4 LED 3W - 2700K (incl.) Dimmable 220-240V - 50/60 Hz, 270lm		
ENERGY LABEL	E		

ES	MATERIALES Acero / Mármol / Vidrio		
ACABADOS	Metal Negro mate Oro envejecido	Mármol Blanco mate Negro mate	Vidrio Opal Opal
ESPECIFICACIONES (UE)	G4 LED 3W - 2700K (incl.) Regulable 220-240V - 50/60 Hz, 270lm		
ETIQUETA ENERGÉTICA	E		

ICONS



ISON

C1298

Pepe Fornas
Design 2022



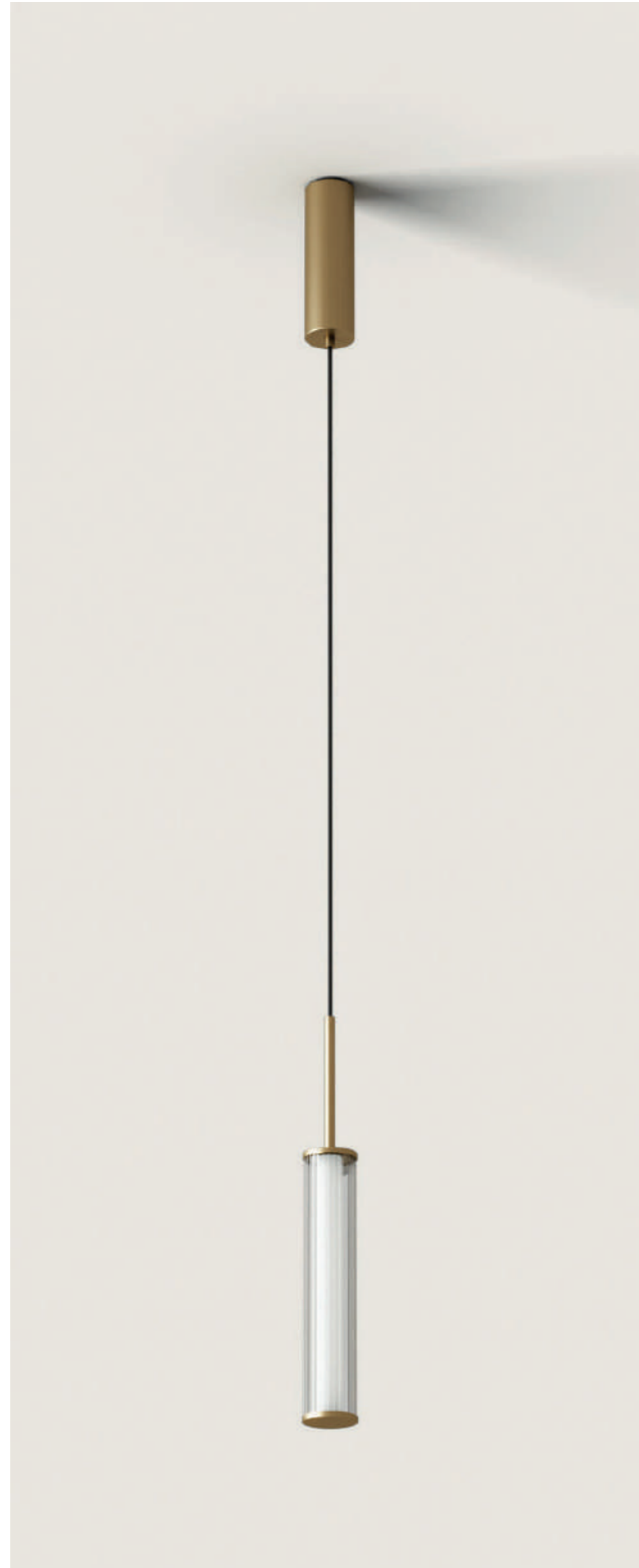
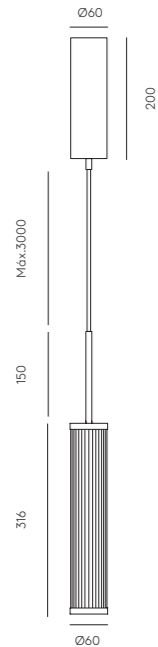
EN

MATERIALS	Steel / Glass	
FINISHES	Metal Matt black Aged gold	Shade Clear striped glass
SPECIFICATIONS (UE)	LED strip 8W – 2700K Dimmable by TRIAC 220-240V – 24V – 50/60Hz 800lm	
ENERGY LABEL	F	

ES

MATERIALES	Acero / Vidrio	
ACABADOS	Metal Negro mate Oro envejecido	Pantalla Vidrio estriado
ESPECIFICACIONES (UE)	Tira LED 8W – 2700K Regulable por TRIAC 220-240V – 24V – 50/60 Hz 800lm	
CLASIFICACIÓN ENERGÉTICA	F	

ICONS



ISON

C1298/5

Pepe Fornas
Design 2022



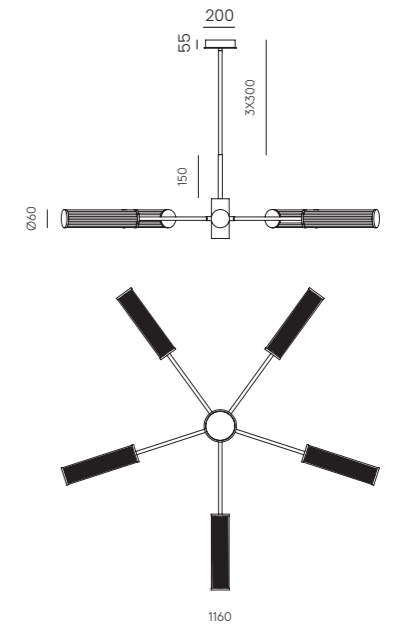
EN

MATERIALS	Steel / Glass
FINISHES	Metal Matt Black Aged Gold
SPECIFICATIONS (UE)	5 x LED Strip 7W – 2700K Dimmable 220-240V – 24V – 50/60Hz, 4000lm
ENERGY LABEL	F

ES

MATERIALES	Acero / Vidrio
ACABADOS	Metal Negro mate Oro envejecido
ESPECIFICACIONES (UE)	5 x Tira LED 7W – 2700K Regulable 220-240V – 24V – 50/60Hz, 4000lm
CLASIFICACIÓN ENERGÉTICA	F
ALTURA REGULABLE	La altura se configura durante la instalación del colgante, roscando los diferentes tubos (3x30 cm)

ICONS



YCRO

C1297

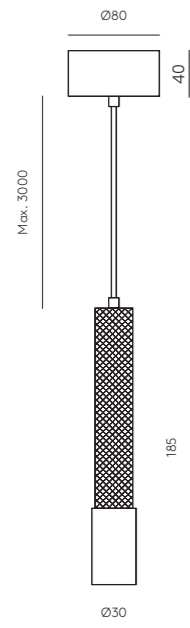
JF Sevilla
Design 2022



EN	
MATERIALS	Steel
FINISHES	Metal Matt black Matt Brass
SPECIFICATIONS (UE)	Chip LED 8W - 2700K Dimmable 220-240V - 24V -50/60 Hz 800lm
ENERGY LABEL	F

ES	
MATERIALES	Acero
ACABADOS	Metal Negro Mate Oro Mate
ESPECIFICACIONES (UE)	Chip LED 8W - 2700K Regulable 220-240V - 24V - 50/60 Hz 800lm
ETIQUETA ENERGÉTICA	F

ICONS



TUBE

C1296

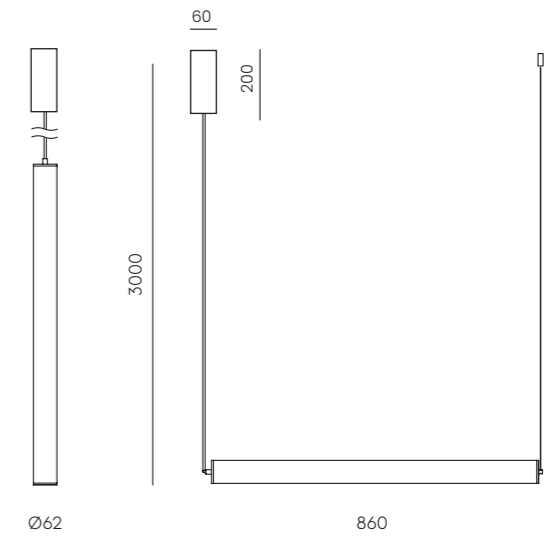
JF Sevilla
Design 2021



EN		
MATERIALS	Steel / Acrylic	
FINISHES	Metal Matt black Aged gold	Acrylic Opal
SPECIFICATIONS (UE)	17W LED strip 2700K TRIAC Dimmable 24 V, 50/60 Hz, 2000lm	
ENERGY LABEL	F	

ES		
MATERIALES	Acero / Acrílico	
ACABADOS	Metal Negro mate Oro envejecido	Acrílico Opal
ESPECIFICACIONES (UE)	Tira LED 17W 2700K TRIAC Regulable 24 V, 50/60 Hz, 2000lm	
CLASIFICACIÓN ENERGÉTICA	F	

ICONS



*Steel wire for horizontal use included/
Se puede configurar la posición vertical y horizontal de la lámpara con un único elemento

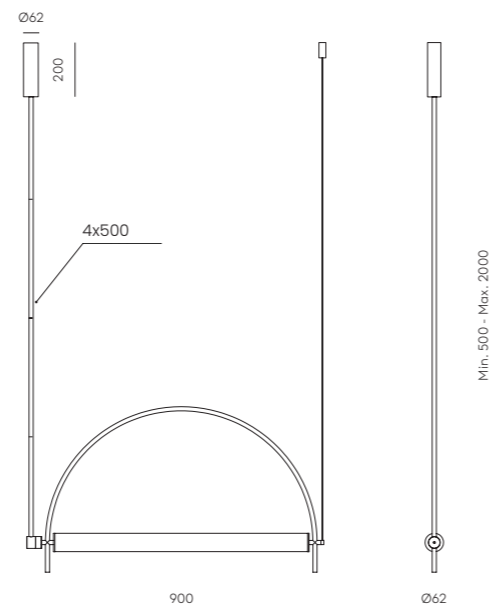
ARC

C1292

JF Sevilla
Design 2022



EN	MATERIALS	Steel / Acrylic	
	FINISHES	Metal Matt black Aged gold	Acrylic Opal
	SPECIFICATIONS (UE)	17W LED strip 2700K TRIAC Dimmable 24 V, 50/60 Hz, 2000lm	
	ENERGY LABEL	F	
	ADJUSTABLE HEIGHT	The height is configured during the installation of the pendant, threading the different tubes (4 x 50cm)	
ES	MATERIALES	Acero / Acrílico	
	ACABADOS	Metal Negro mate Oro envejecido	Acrílico Opal
	ESPECIFICACIONES (UE)	Tira LED 17W 2700K TRIAC Regulable 24 V, 50/60 Hz, 2000lm	
	CLASIFICACIÓN ENERGÉTICA	F	
	ALTURA REGULABLE	La altura se configura durante la instalación del colgante, roscando los diferentes tubos (4 x 50cm)	



ICONS





MIRO

C1289

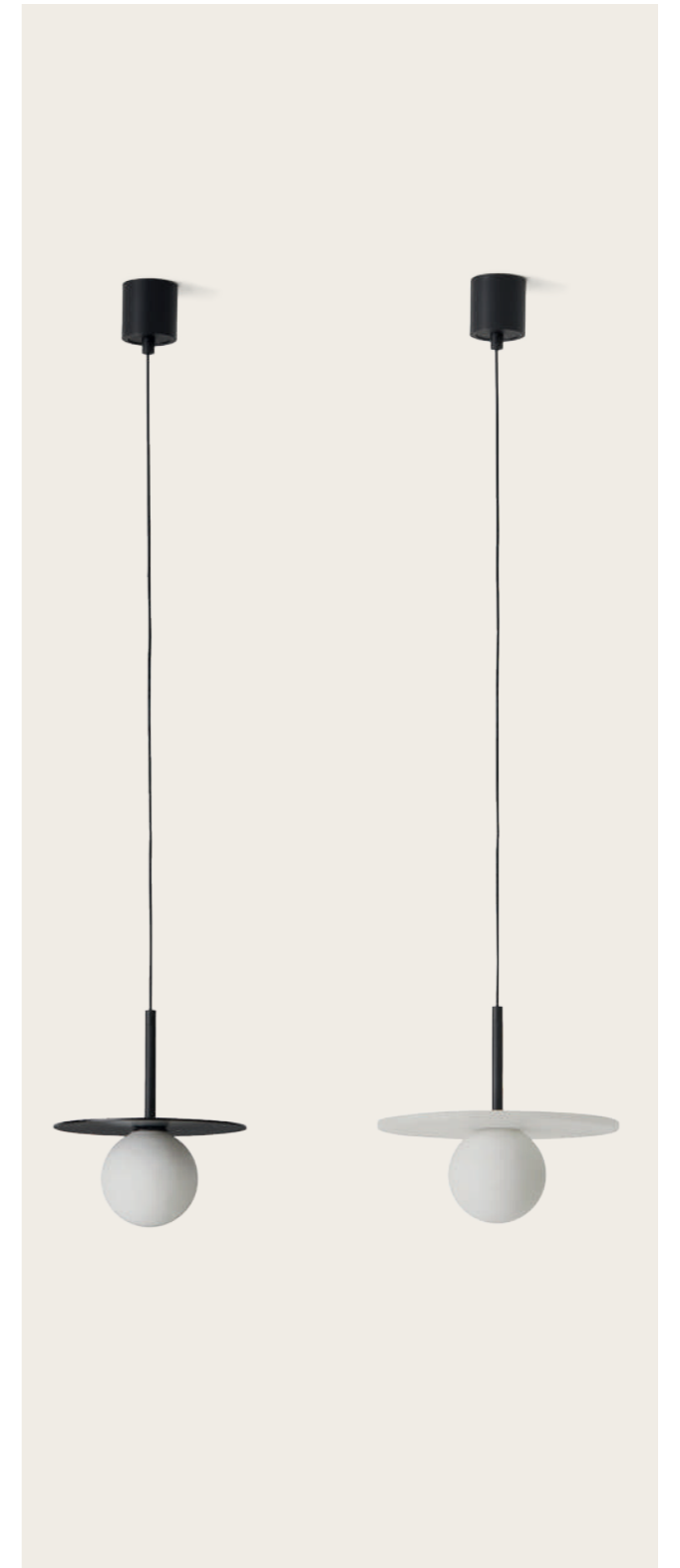
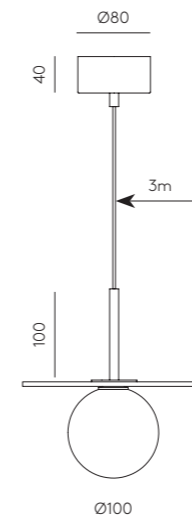


AC Studio
Design 2021

EN		
MATERIALS	Steel / Blown Glass	
FINISHES	Metal Matt Black	Shade Opal
SPECIFICATIONS (UE)	G9 LED (included) 5W 450lm 2700K 220-240V · 50/60Hz	
ENERGY LABEL	E	
COMPATIBLE ACCESSORIES (NOT INCLUDED)	Alabaster 1289/20/A Ceramic (20 ó 30 cm) Glass 1223 (25 cm) Metallic disc 1289/20	

ES		
MATERIALES	Acero / Vidrio Soplado	
ACABADOS	Metal Negro Mate	Tulipa Opal
ESPECIFICACIONES (UE)	G9 LED (incluida) 5W 2700K 220-240V, 50/60 Hz	
ETIQUETA ENERGÉTICA	E	
ACCESORIOS COMPATIBLES (NO INCLUIDOS)	Alabastro 1289/20/A Cerámica (20 ó 30 cm) Cristal 1223 (25 cm) Disco Metálico 1289/20	

ICONS IP20 CE



MIRO

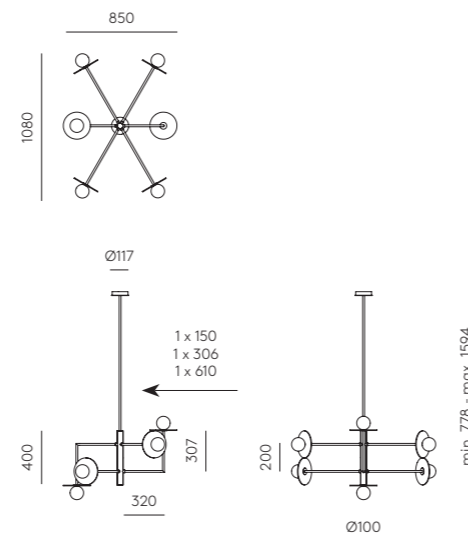
C1289/6



AC Studio
Design 2021



EN	MATERIALS Steel / Blown Glass	
	FINISHES Metal Matt Black	Shades Opal
	SPECIFICATIONS (UE) 6 x G9 LED (included) 5W 2700lm 2700K 220-240V, 50/60 Hz	
	ENERGY LABEL E	
	COMPATIBLE ACCESSORIES Alabaster 1289/20/A Glass 1223 (25 cm) Ceramic (20 ó 30 cm) Metalic disc 1289/20	
	ADJUSTABLE HEIGHT The height is configured during the installation of the pendant, threading the different tubes (1 x 15cm + 1 x 30cm + 1 x 61cm)	
ES	MATERIALES Acero / Vidrio Soplado	
	ACABADOS Metal Negro Mate	Tulipas Opal
	ESPECIFICACIONES (UE) 6 x G9 LED (incluidas) 5W 2700lm 2700K 220-240V, 50/60 Hz	
	ETIQUETA ENERGÉTICA E	
	ACCESORIOS COMPATIBLES Alabastro 1289/20/A Cristal 1223 (25 cm) Cerámica (20 ó 30 cm) Disco Metálico 1289/20	
	ALTURA REGULABLE La altura se configura durante la instalacion del colgante, roscando los diferentes tubos (1 x 15cm + 1 x 30cm + 1 x 61cm)	



ICONS



COMPATIBLE ACCESSORIES
Colour chart for ceramics and glass at the end of the catalogue.

ACCESORIOS COMPATIBLES
Carta de colores en cerámica y cristal al final del catálogo.



1097

FINISH
CERAMIC

MATERIAL
CERAMIC

SIZES
Ø200
Ø300



1289

FINISH
GOLD
CHROME
BLACK
WHITE
ALABASTER

MATERIAL
ALABASTER
METAL

SIZES
Ø150
Ø250
Ø350



1223

FINISH
PINK
TURQUOISE
DARK BLUE
AMBER
BROWN

MATERIAL
GLASS

SIZES
Ø250



DALT

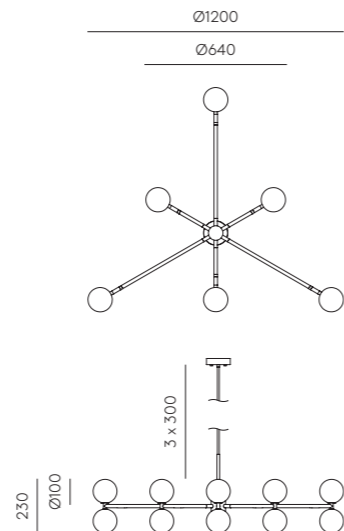
C1280/6

Pepe Fornas
Design 2019



EN	MATERIALS Steel / Marble / Glass		
FINISHES	Body Matt Black Aged Gold	Marble Black Green White Brown	Glass shade Opal
SPECIFICATIONS (UE)	Bulbs G9 Led (Included) 6 x 5W - 2700K 220-240 V, 50/60 Hz, 2700lm		
ENERGY LABEL	E		

ES	MATERIALES Acero / Mármol / Vidrio		
ACABADOS	Metal Negro Mate Oro Envejecido	Mármol Negro Verde Blanco Marrón	Tulipa Opal
ESPECIFICACIONES (UE)	Bombillas G9 Led (Incluidas) 6 x 5W - 2700K 220-240 V, 50/60 Hz, 2700lm		
CLASIFICACIÓN ENERGÉTICA	E		



The height is configured during the installation of the pendant, threading the different tubes (1 x 15cm + 3 x 30cm)

IP20 CE RoHS A++

DALT

C1280

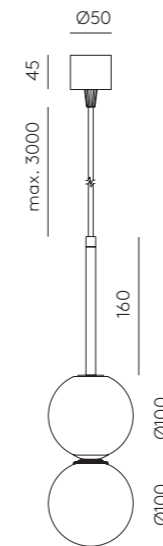
Pepe Fornas
Design 2019



EN	MATERIALS Steel / Marble / Glass		
FINISHES	Body Matt Black Aged Gold	Marble White Black Green Marrón	Glass shade Opal
SPECIFICATIONS (UE)	Bulb G9 Led (Included) 5W - 2700K 220-240 V, 50/60 Hz 450lm		
ENERGY LABEL	E		

ES	MATERIALES Acero / Mármol / Vidrio		
ACABADOS	Metal Negro Mate Oro Envejecido	Mármol Blanco Negro Verde Brown	Tulipa Opal
ESPECIFICACIONES (UE)	Bombilla G9 Led (Incluidas) 5W - 2700K 220-240 V, 50/60 Hz 450lm		
CLASIFICACIÓN ENERGÉTICA	E		

IP20 CE RoHS A++



FOCUS

C1279

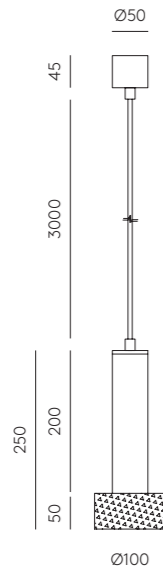
Pepe Fornas
Design 2019



EN		
MATERIALS	Steel / Aluminium	
FINISHES	Body Matt Black	Head Aged Gold/ Anthracite
SPECIFICATIONS (UE)	Bulb GU10 Led (Included) 5W - 2700K 220-240 V, 50/60 Hz 450lm	
ENERGY LABEL	E	

ES		
MATERIALES	Acero / Aluminio o Alabastro	
ACABADOS	Cuerpo Negro Mate	Cabeza Oro Viejo/Antracita
ESPECIFICACIONES (UE)	Bombilla GU10 Led (Incluida) 5W - 2700K 220-240 V, 50/60 Hz 450lm	
ETIQUETA ENERGÉTICA	E	

ICONS    

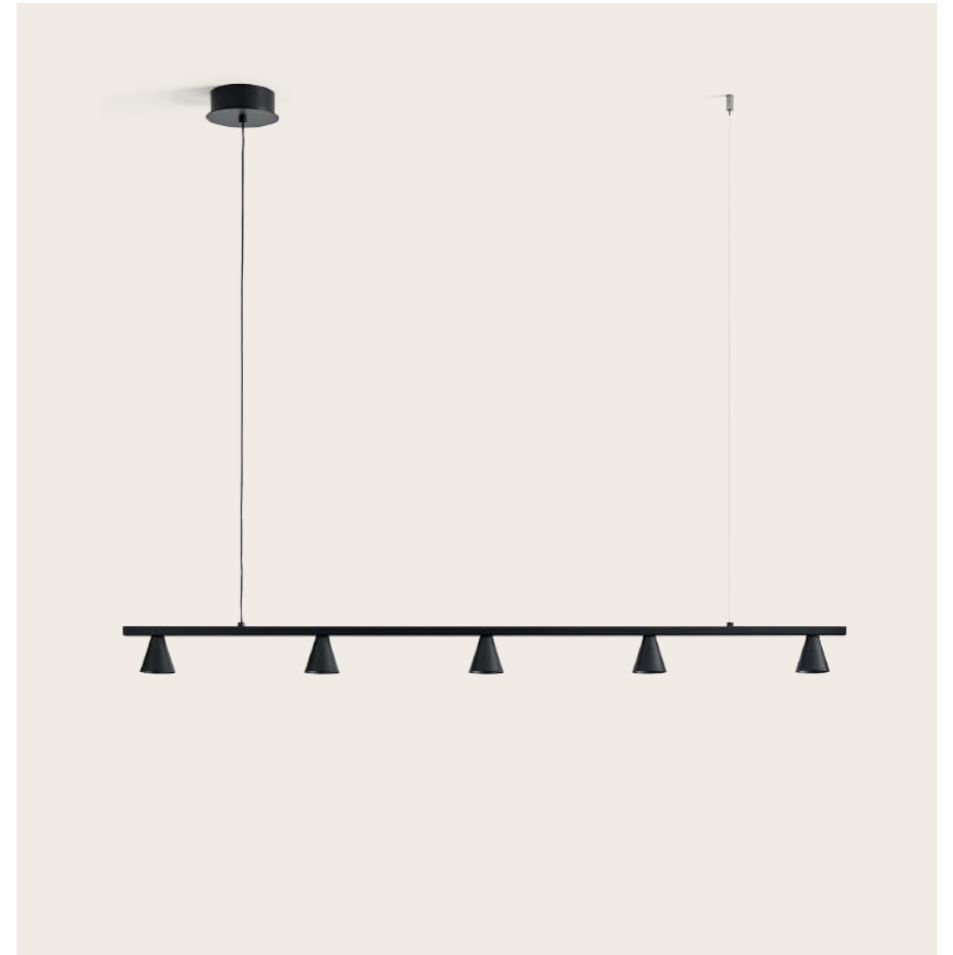


*Possible modifications: Alabaster head (Extra charge).
Modificaciones posibles: Cabezal Alabastro (Sobrecoste)

LYB

C1274

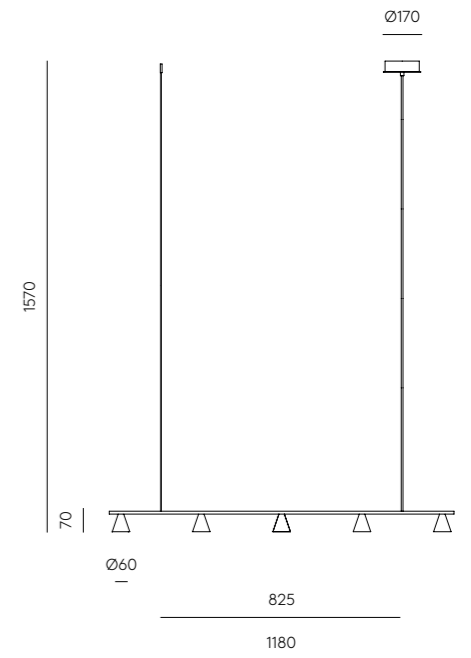
Pepe Fornas
Design 2019



EN		
MATERIALS	Steel	
FINISHES	Metal Matt Black Matt Brass	
SPECIFICATIONS (UE)	5 x 5W Integrated Led 2500lm 2700K dimmable 220-240V/24V, 50/60 Hz	
OPTIONS	Matt brass finish 3000K	
ENERGY LABEL	F	

ES		
MATERIALES	Acero	
ACABADOS	Metal Negro Mate Oro Mate	
ESPECIFICACIONES (UE)	5 x 5W LED Integrado 2500lm 2700K regulable 220-240V/24V, 50/60 Hz	
OPCIONES	Acabado oro mate 3000K	
CLASIFICACIÓN ENERGÉTICA	F	

ICONS    



NOOI

C1276/L



Pepe Fornas
Design 2023



EN

MATERIALS Linen / Steel / Acrylic / Marble

FINISHES Metal: Matt black; Shade: Cream linen textile

Acrylic: Opal; Ball: Wood (standard), Black/ Green/White/ Brown Marble (Extra cost)

SPECIFICATIONS (UE) T8 14 W - 2700K, Dimmable, 24V-220-240V, 50/60 Hz

ENERGY LABEL E

ES

MATERIALES Lino / Metal / Acrílico / Mármol

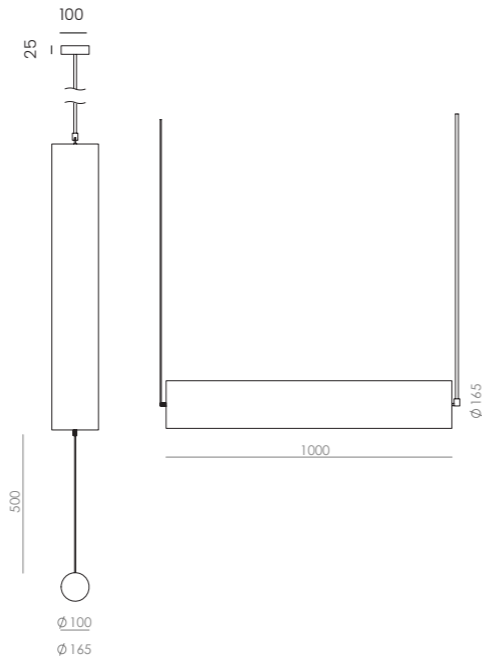
ACABADOS Metal: Negro mate; Pantalla: Textil lino crema

Acrílico: Opal; Bola: Madera (Estandar), Mármol Negro / Verde / Blanco/ Marrón (Coste Extra)

ESPECIFICACIONES (UE) T8 14 W - 2700K, Regulable, 24V-220-240V, 50/60 Hz

ETIQUETA ENERGÉTICA E

ICONS





NOOI

C1276

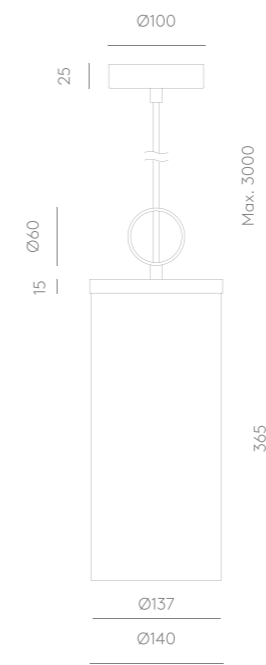


Pepe Fornas
Design 2022

EN	MATERIALS			Linen / Steel / Acrylic
	FINISHES	Metal	Shade	Acrylic
		Matt Black	Cream Linen textile	Opal
	SPECIFICATIONS (UE)	T8 5W Dimmable - 2700K dimmmable 220-240V, 50/60Hz 450lm		
	ENERGY LABEL	E		

ES	MATERIALES			Lino / Metal / Acrílico
	ACABADOS	Metal	Tulipa	Acrílico
		Negro Mate	Textil Lino Crema	Opal
	ESPECIFICACIONES (UE)	T8 5W Regulable - 2700K Regulable 220-240 V, 50/60 Hz 450lm		
	ETIQUETA ENERGÉTICA	E		

ICONS



NINO

C1275

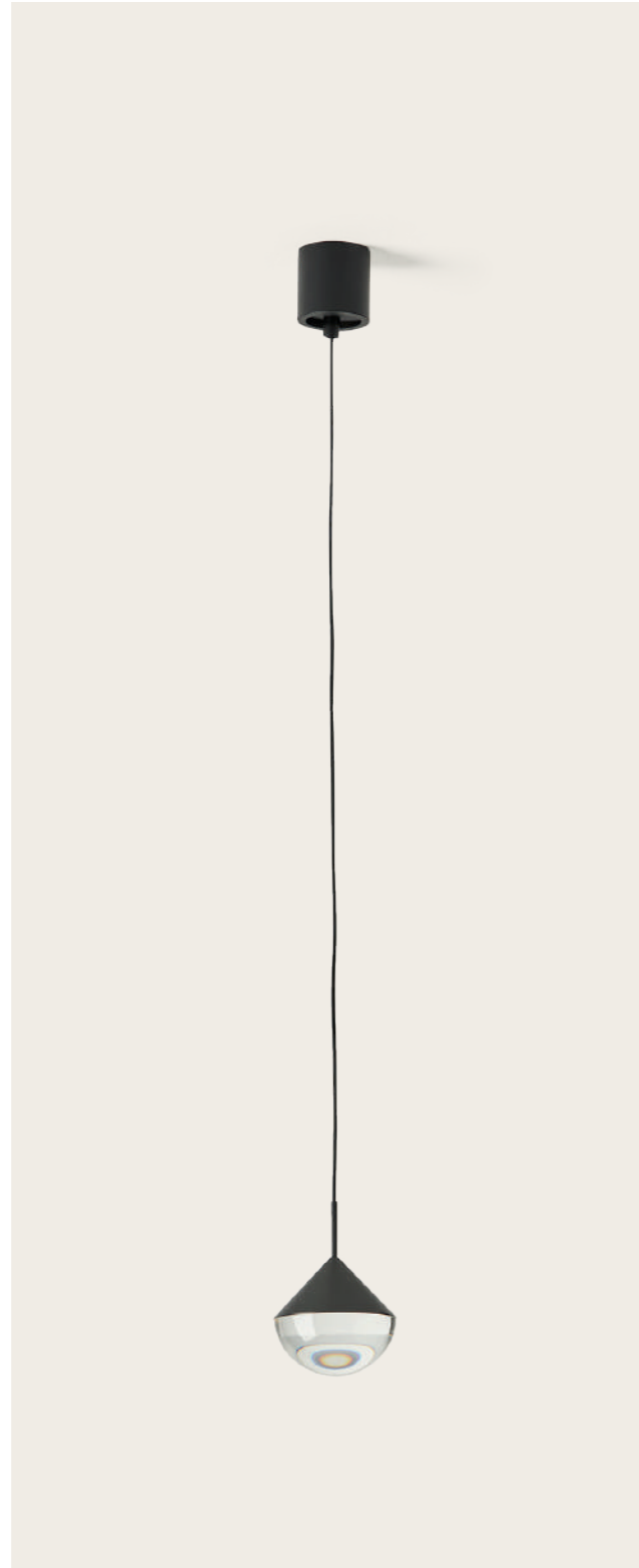
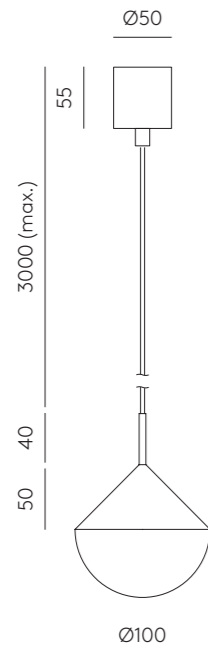
JF Sevilla
Design 2021



EN	MATERIALS		Steel / Optical glass
	FINISHES	Metal	Shade
		Matt Black Matt Brass	Optic glass
	SPECIFICATIONS (UE)	Chip LED (Included) 7W - 2700K Dimmable 220-240V 24 V, 50/60 Hz 700lm	
	ENERGY LABEL	F	

ES	MATERIALES		Acero / Vidrio óptico
	ACABADOS	Metal	Tulipa
		Negro Mate Oro Mate	Cristal óptico
	ESPECIFICACIONES (UE)	Chip Led (Incluida) 7W - 2700K Regulable 220-240V 24 V, 50/60 Hz 700lm	
	ETIQUETA ENERGÉTICA	F	

ICONS     



COLN


C1267

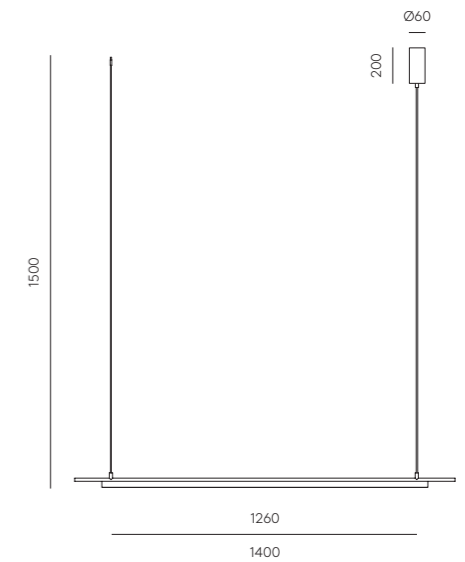
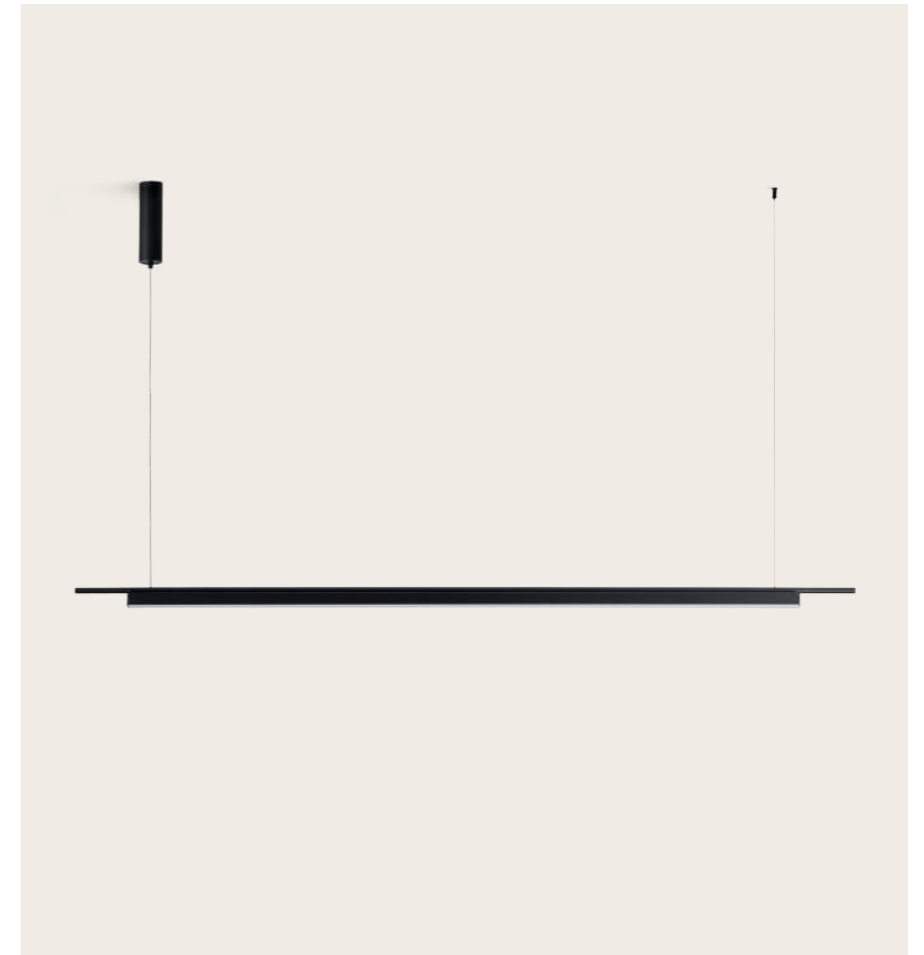
AC Studio
Design 2019



EN	MATERIALS		Steel Acrylic
	FINISHES	Metal	Diffuser
		Matt black White	White
	SPECIFICATIONS (UE)	LED Strip 21W - 2700K 220-240V/ 24 V, 50/60 Hz, 2100lm Dimmable	
	ENERGY LABEL	F	

ES	MATERIALES		Metal Acrílico
	ACABADOS	Metal	Difusor
		Negro mate Blanco	Blanco
	ESPECIFICACIONES (UE)	Tira LED 21W - 2700k 220-240V/24 V, 50/60 Hz, 2100lm Regulable	
	CLASIFICACIÓN ENERGÉTICA	F	

ICONS     



*Adjustable height.
Altura regulable.

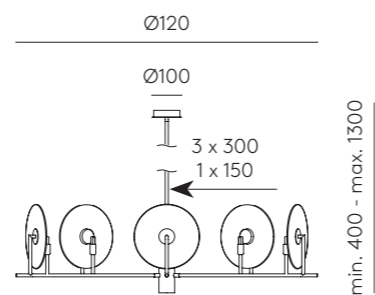
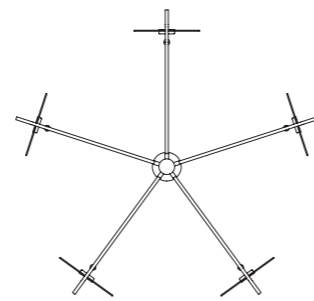
ERTO

C1257/5

Pepe Fornas
Design 2020



EN	MATERIALS Metal	
	FINISHES Metal Matt Black	Details Matt brass
	SPECIFICATIONS (UE) 5 x G9 LED (Included) 5W 2250lm 2700K Dimmable 220-240V · 50/60Hz ·	
	ENERGY LABEL E	
	ADJUSTABLE HEIGHT The height is configured during the installation of the pendant, threading the different tubes (1 x 15cm + 3 x 30cm)	
ES	MATERIALES Metal / Vidrio / Acrílico	
	ACABADOS Metal Negro mate	Detalles Oro mate
	ESPECIFICACIONES (UE) 5 x G9 LED (Incluidas) 5W 2250lm 2700K Regulable 220-240V · 50/60Hz	
	ETIQUETA ENERGÉTICA E	
	ALTURA REGULABLE La altura se configura durante la instalación del colgante, roscando los diferentes tubos (1 x 15cm + 3 x 30cm)	



ICONS



1038



FINISH
GOLD
CHROME
BLACK
WHITE
MATT BRASS

MATERIAL
METAL
SIZES
Ø150
Ø250

1097



FINISH
CERAMIC

MATERIAL
CERAMIC
SIZES
Ø200
Ø300

1223



FINISH
PINK
TURQUOISE
DARK BLUE
AMBER
BROWN

MATERIAL
GLASS
SIZES
Ø250

1289



FINISH
GOLD
CHROME
BLACK
WHITE
ALABASTER

MATERIAL
ALABASTER
METAL
SIZES
Ø150
Ø250



COMPATIBLE ACCESSORIES
Colour chart for ceramics and glass at the end of the catalogue.

ACCESORIOS COMPATIBLES
Carta de colores en cerámica y cristal al final del catálogo.



PULL

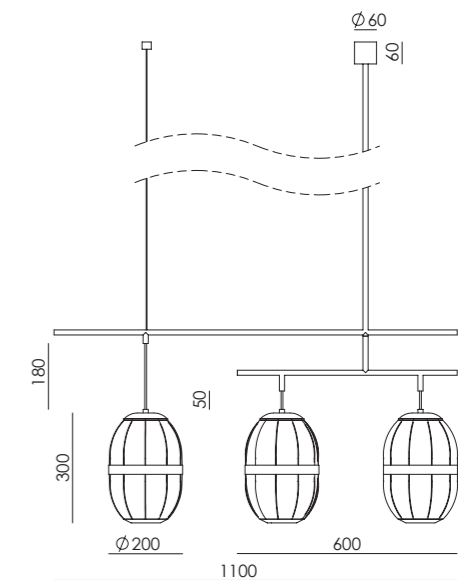
C1249/3

JF Sevilla
Design 2024



EN	MATERIALS Metal / Linen		
FINISHES	Metal Matt black	Metal shade Matt black Aged gold	Shade Linen
SPECIFICATIONS (UE)	3 x Bulb G9 4W 2700K 1200lm dimmable 220-240V, 50/60 Hz		
ENERGY LABEL	E		

ES	MATERIALES Metal / Lino		
ACABADOS	Metal Negro mate	Pantalla metal Negro mate Oro envejecido	Pantalla Lino
ESPECIFICACIONES (UE)	3 x Bombilla G9 4W 2700K 1200lm regulable 220-240V, 50/60 Hz		
CLASIFICACIÓN ENERGÉTICA	E		



ICONS



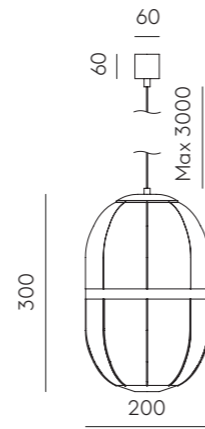
The height is configured during the installation of the pendant, by threading the different tubes (3x50 + 1x30+1x15cm)
La altura se configura durante la instalación del colgante, roscando los diferentes tubos (3x50 + 1x30+1x15cm)

PULL

C1249/S



JF Sevilla
Design 2024



EN	MATERIALS Metal / Linen		
FINISHES	Metal Matt black	Metal shade Matt black Aged gold	Shade Linen
SPECIFICATIONS (UE)	Bulb G9 4W 2700K 500lm dimmable 220-240V, 50/60 Hz		
ENERGY LABEL	E		

ICONS

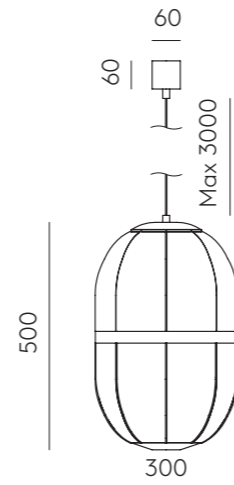


PULL

C1249/L



JF Sevilla
Design 2024



EN	MATERIALS Metal / Linen		
FINISHES	Metal Matt black	Metal shade Matt black Aged gold	Shade Linen
SPECIFICATIONS (UE)	Bulb G9 4W 2700K 500lm dimmable 220-240V, 50/60 Hz		
ENERGY LABEL	E		

ICONS





Colour glass:
Brown sugar

ULON


C1236

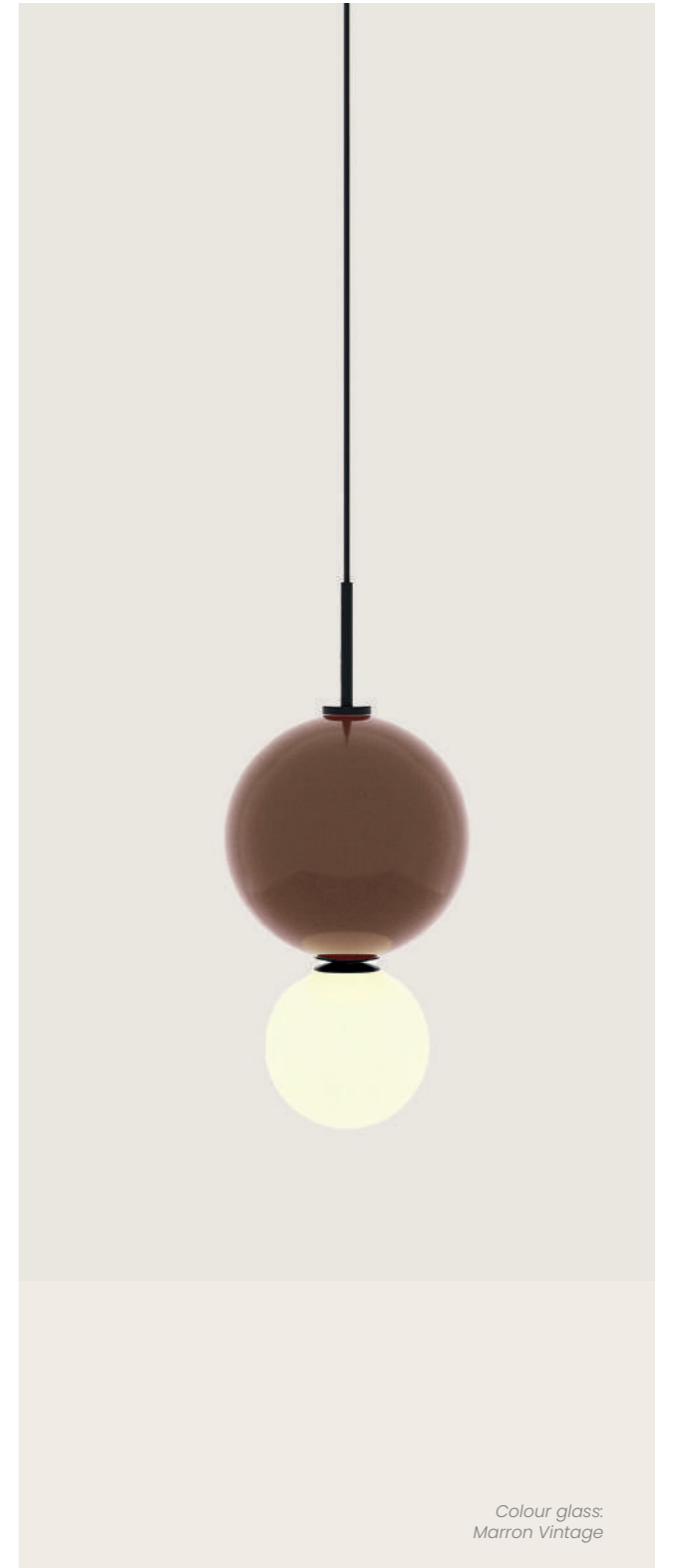
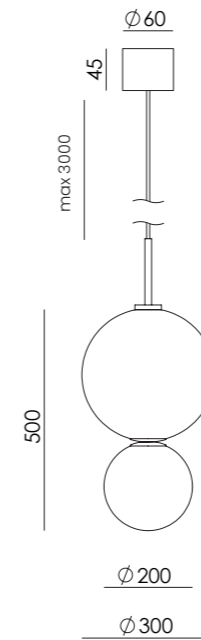
Pepe Fornas
Design 2024



EN	MATERIALS Metal / Acrylic	
	FINISHES Metal Matt Black	Glass See our colour palette p.484
	SPECIFICATIONS (UE) G9 5W 2700K dimmable 450lm / 220-240 V, 50/60 Hz	
	ENERGY LABEL E	

ES	MATERIALES Metal / Acrílico	
	ACABADOS Metal Negro Mate	Cristal Consultar la paleta de colores p.484
	ESPECIFICACIONES (UE) G9 5W 2700K regulable 450lm / 220-240 V, 50/60 Hz	
	ETIQUETA ENERGÉTICA E	

ICONS 



Colour glass:
Marron Vintage

MAPI

C1235



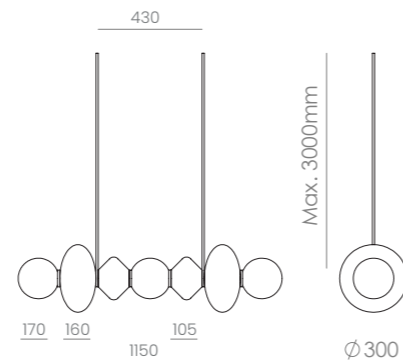
Colour glass:
Left to right: Green tea / Vintage Brown / Terracota / Nude

Pepe Fornas
Design 2024



EN	MATERIALS	Aluminium / Glass		
	FINISHES	Metal Matt Black	Glass See colour palette p.484	Shades Opal
	SPECIFICATIONS (UE)	3 x LED strip 5W 2700K TRIAC dimmable 2200lm 220-240 V, 50/60 Hz		
	ENERGY LABEL	F		

ES	MATERIALES	Aluminio / Vidrio		
	ACABADOS	Metal Negro Mate	Glass Consultar paleta de colores p.484	Tulipas Opal
	ESPECIFICACIONES (UE)	3 x Tira LED 5W 2700K TRIAC regulable 2200lm 220-240 V, 50/60 Hz		
	ETIQUETA ENERGÉTICA	F		



ICONS



MAPI

C1235/V



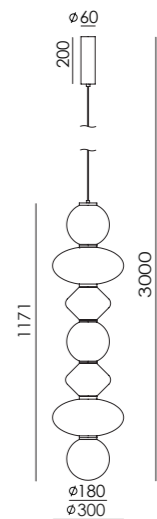
Colour glass:
Up to down: Sugar brown / Mocca / Vintage brown / Pistachio

Pepe Fornas
Design 2024



EN	MATERIALS	Aluminium / Glass		
	FINISHES	Metal Matt Black	Glass See colour palette p.484	Shades Opal
	SPECIFICATIONS (UE)	3 x LED strip 5W 2700K TRIAC dimmable 220-240V, 50/60 Hz		
	ENERGY LABEL	F		

ES	MATERIALES	Aluminio / Vidrio		
	ACABADOS	Metal Negro Mate	Glass Consultar paleta de colores p.484	Tulipas Opal
	ESPECIFICACIONES (UE)	3 x Tira LED 5W 2700K TRIAC regulable 220-240 V, 50/60 Hz		
	ETIQUETA ENERGÉTICA	F		



ICONS





Colour glass:
Left: Up to down: Pistachio / Green Leaf / Vintage brown

PAPI

C1233

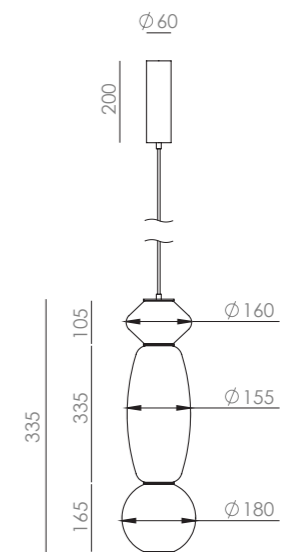
Pepe Fornas
Design 2023



Colour glass:
Left: Up to down: Pistachio / Green Leaf / Taupe
Right: Up to down: Terracota / Nude / Vintage Brown

EN	MATERIALS	Glass / Steel
	FINISHES	Steel Matt black Glass See colour palette p.484
	SPECIFICATIONS (UE)	GU10 LED (included) 5W - 2700K 220-240 V, 50/60 Hz 450lm
	ENERGY LABEL	E

ES	MATERIALES	Vidrio / Acero
	ACABADOS	Metal Negro mate Vidrio Consultar paleta de colores p.484
	ESPECIFICACIONES (UE)	GU10 LED (incluida) 5W - 2700K 220-240 V, 50/60 Hz 450lm
	ETIQUETA ENERGÉTICA	E



ICONS





Colour glass:
Saphire

OVALO

C1234



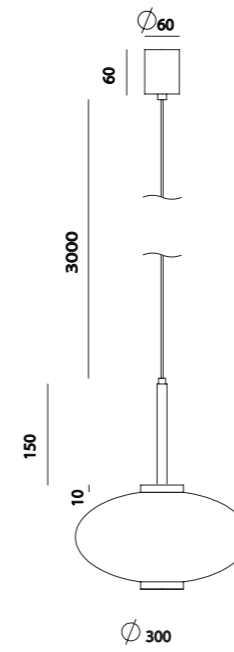
Pepe Fornas
Design 2025

EN	MATERIALS		Glass / Steel
	FINISHES	Steel	Glass
		Matt black	See colour palette p.484
	SPECIFICATIONS (UE)	GU10 LED (included) 5W - 2700K 220-240 V, 50/60 Hz 450lm	
	ENERGY LABEL	E	

ES	MATERIALES		Vidrio / Acero
	ACABADOS	Metal	Vidrio
		Negro mate	Consultar paleta de colores p.484
	ESPECIFICACIONES (UE)	GU10 LED (incluida) 5W - 2700K 220-240 V, 50/60 Hz 450lm	
	ETIQUETA ENERGÉTICA	E	

ICONS

⊕ IP20 CE RoHS ENEC



Colour glass:
Maroon

LITA

C1230

Pepe Fornas
Design 2020



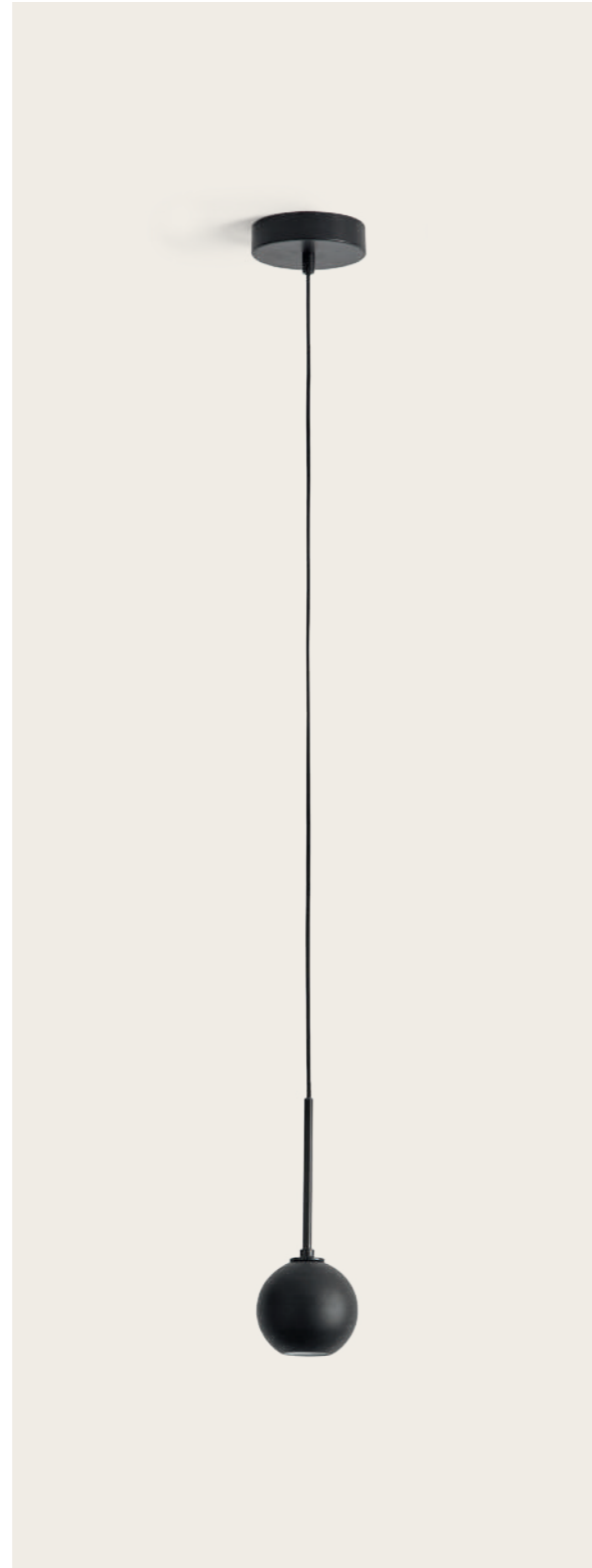
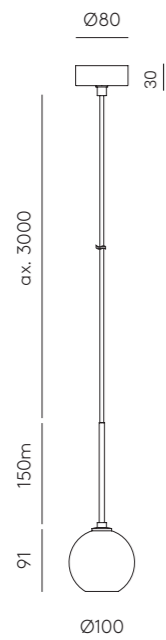
EN

MATERIALS	Steel / Walnut Wood	
FINISHES	Metal Matt Black	Wood Black
SPECIFICATIONS (UE)	Chip LED integrated 300lm 3W 2700K (Included) 12V / 220-240 V, 50/60 Hz	
ENERGY LABEL	F	

ES

MATERIALES	Acero / Madera nogal	
ACABADOS	Metal Negro Mate	Madera Negro
ESPECIFICACIONES (UE)	Chip LED integrado 300lm 3W 2700K (Incluida) 12V / 220-240 V, 50/60 Hz	
CLASIFICACIÓN ENERGÉTICA	F	

ICONS



DELIE

C1224

JF Sevilla
Design 2020



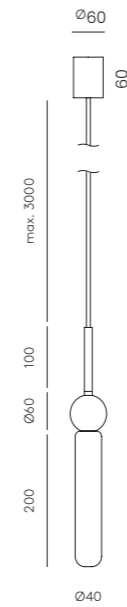
EN

MATERIALS	Steel / Blown Glass / Marble		
FINISHES	Body Matt Black Aged Gold	Marble White Black	Glass Opal
SPECIFICATIONS (UE)	G9 LED Bulbs (Included) 5W 2700K, 220-240 V, 50/60 Hz, 450lm		
ENERGY LABEL	E		

ES

MATERIALES	Acero / Vidrio Soplado / Mármol		
ACABADOS	Metal Negro Mate Oro Envejecido	Mármol Blanco Negro	Cristal Opal
ESPECIFICACIONES (UE)	Bombillas G9 LED (Incluidas) 5W 2700K, 220-240 V, 50/60 Hz, 450lm		
CLASIFICACIÓN ENERGÉTICA	E		

ICONS



DELIE

C1224/8

JF Sevilla
Design 2020



EN

MATERIALS Steel / Blown Glass / Marble

FINISHES	Body	Marble	Glass
	Matt Black	White	Opal
	Aged Gold	Black	

SPECIFICATIONS (UE) G9 LED Bulbs (included)
8 x 5W 2700K
220-240 V, 50/60 Hz, 3600lm

ENERGY LABEL E

ADJUSTABLE HEIGHT The height is configured during the installation of the pendant, threading the different tubes (3 x 30cm)

ES

MATERIALES Acero / Vidrio Soplado / Mármol

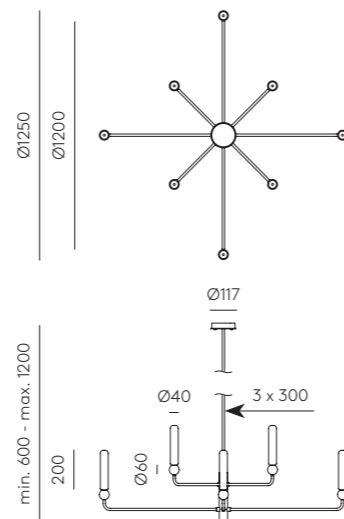
ACABADOS	Metal	Mármol	Cristal
	Negro Mate	Blanco	Opal
	Oro Envejecido	Negro	

ESPECIFICACIONES (UE) Bombillas G9 LED (Incluidas)
8 x 5W 2700K
220-240 V, 50/60 Hz, 3600lm

CLASIFICACIÓN ENERGÉTICA E

ALTURA REGULABLE La altura se configura durante la instalación del colgante, roscando los diferentes tubos (3 x 30cm)

ICONS



YOYO

C1222

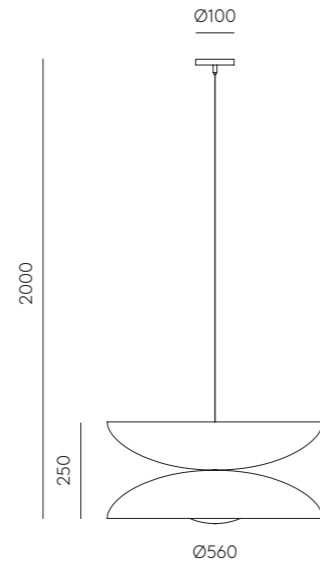


Pepe Fornas
Design 2016



EN	MATERIALS Steel	
FINISHES	Metal Matt black	Diffuser Matt brass Matt Black Matt White
SPECIFICATIONS (UE)	G9 Led Bulbs (Included) 3 x 3W - 2700K 220-240 V, 50/60 Hz 810lm	
ENERGY LABEL	E	

ES	MATERIALES Acero	
ACABADOS	Metal Negro mate	Difusor Oro mate Negro Mate Blanco Mate
ESPECIFICACIONES (UE)	Bombillas G9 Led (Incluida) 3 x 3W - 2700K 220-240 V, 50/60 Hz 810lm	
CLASIFICACIÓN ENERGÉTICA	E	



ICONS



BALL

C1215

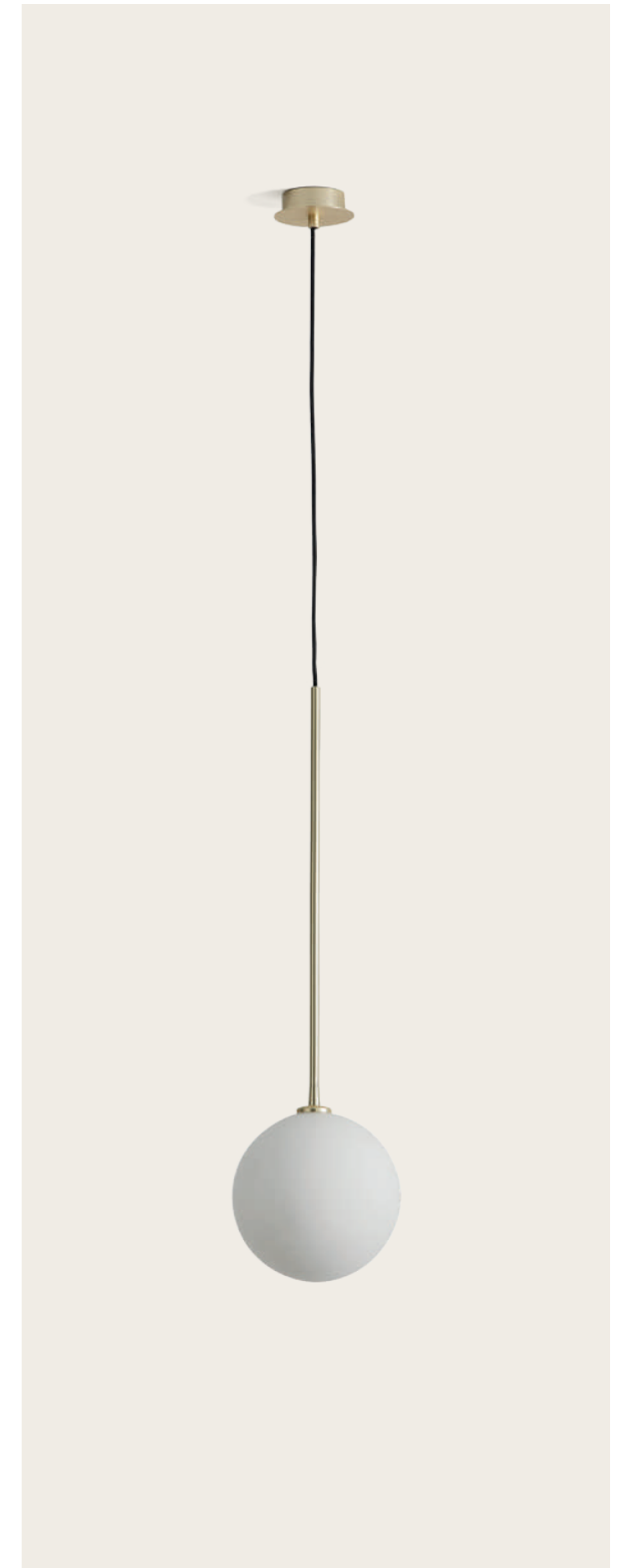
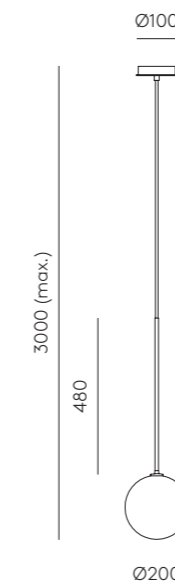


AC Studio
Design 2015

EN	MATERIALS Steel / Blown glass	
FINISHES	Metal Matt Brass Matt Black	Shade (Included) Opal
SPECIFICATIONS (UE)	Bulb G9 Led (Included), 5W - 2700K 220-240 V, 50/60 Hz, 450lm	
ENERGY LABEL	E	

ES	MATERIALES Acero / Vidrio soplado	
ACABADOS	Metal Oro Mate Negro Mate	Cristal Opal
ESPECIFICACIONES (UE)	Bombilla G9 Led (Incluida), 5W - 2700K 220-240 V, 50/60 Hz, 450lm	
CLASIFICACIÓN ENERGÉTICA	E	

ICONS





ATOM

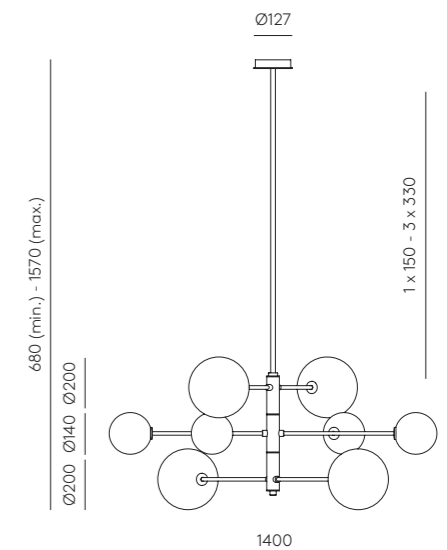
C1214/8



AC Studio
Design 2024



EN	MATERIALS Steel / Blown glass							
	FINISHES	<table border="0"> <tr> <td>Metal</td> <td>Glass</td> </tr> <tr> <td>Matt Brass</td> <td>Opal/Clear</td> </tr> <tr> <td>Matt Black</td> <td></td> </tr> </table>	Metal	Glass	Matt Brass	Opal/Clear	Matt Black	
Metal	Glass							
Matt Brass	Opal/Clear							
Matt Black								
	SPECIFICATIONS (UE)	Bulb G9 Led (Included), 8 x 5W - 2700K, 220-240 V, 50/60 Hz, 3600lm						
	ENERGY LABEL	E						
	The height is configured during the installation of the pendant, threading the different tubes (3 x 30+1x15cm)							
ES	MATERIALES Acero / Vidrio soplado							
	ACABADOS	<table border="0"> <tr> <td>Metal</td> <td>Cristal</td> </tr> <tr> <td>Oro Mate</td> <td>Opal/Transparente</td> </tr> <tr> <td>Negro Mate</td> <td></td> </tr> </table>	Metal	Cristal	Oro Mate	Opal/Transparente	Negro Mate	
Metal	Cristal							
Oro Mate	Opal/Transparente							
Negro Mate								
	ESPECIFICACIONES (UE)	Bombilla G9 Led (Incluida), 8 x 5W - 2700K, 220-240 V, 50/60 Hz, 3600lm						
	CLASIFICACIÓN ENERGÉTICA	E						
	La altura se configura durante la instalación del colgante, rosando los diferentes tubos (3 x 30+1x15cm)							
	ICONS							



ANET

C1206



Agustín Gascón
Design 2018

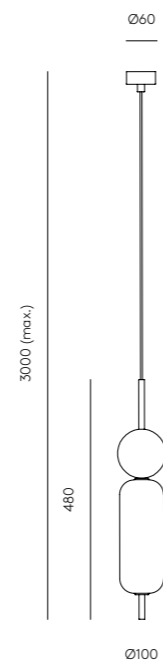


EN

MATERIALS	Steel / Marble / Blown Glass		
FINISHES	Metal Matt Black Bronze Aged Gold Nickel	Marble White Brown Green Black	Glass Opal
SPECIFICATIONS (UE)	Bulb G9 Led (Included), 5W - 2700K, 220-240 V, 50/60 Hz, 450lm		
ENERGY LABEL	E		

ES

MATERIALES	Acero / Mármol / Vidrio Soplado		
ACABADOS	Metal Negro Mate Bronce Oro Envejecido Níquel	Mármol Blanco Marrón Verde Negro	Cristal Opal
ESPECIFICACIONES (UE)	Bombilla G9 Led (Incluida), 5W - 2700K, 220-240 V, 50/60 Hz, 450lm		
CALIFICACIÓN ENERGÉTICA	E		

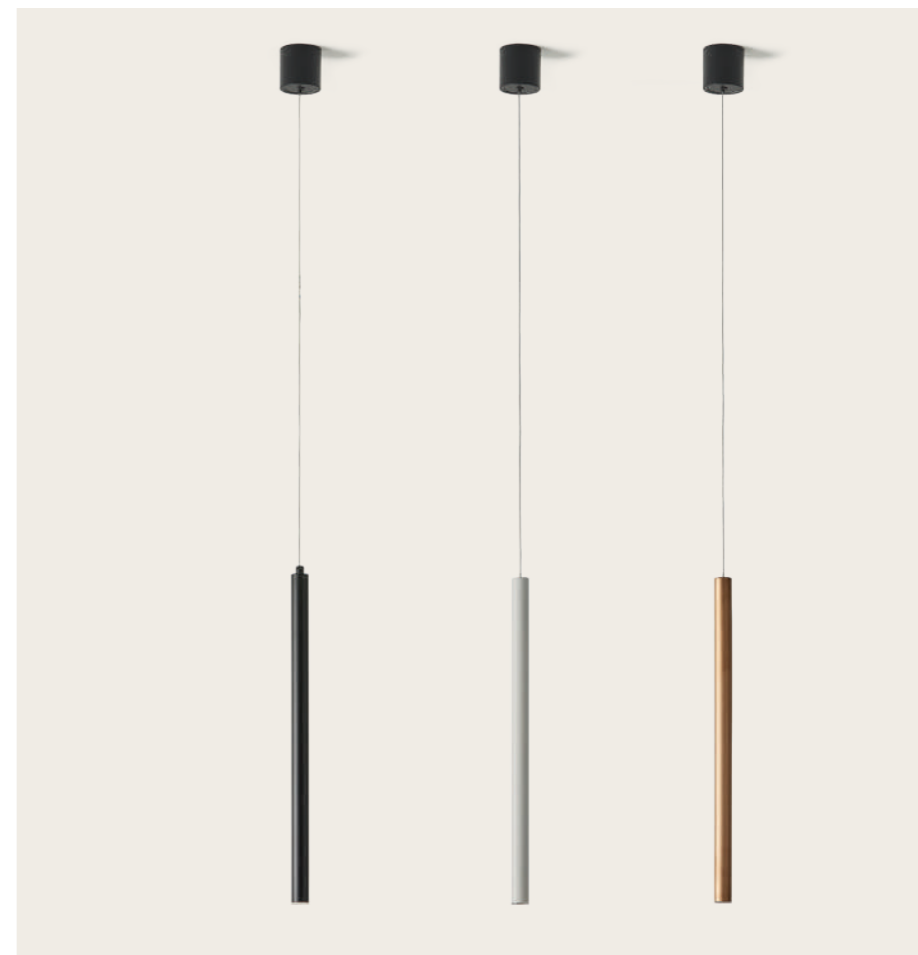


ICONS



MIKA

C1204



AC Studio
Design 2016

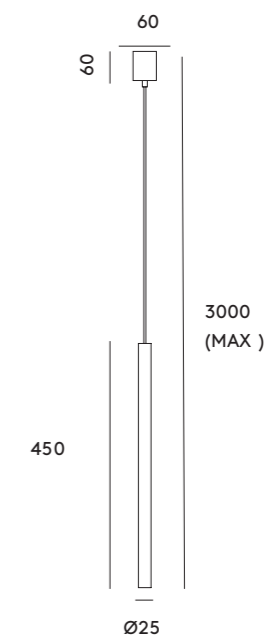


EN

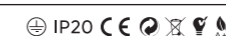
MATERIALS	Steel
FINISHES	Body Matt black Matt White Shiny Gold Bronze
SPECIFICATIONS (UE)	Integrated Chip LED 3W - 2700K Dimmable 24 V, 50/60 Hz 300lm
ENERGY LABEL	F

ES

MATERIALES	Acero
ACABADOS	Cuerpo Negro mate Blanco mate Oro brillo Bronce
ESPECIFICACIONES (UE)	Chip LED integrado 3W - 2700K Regulable 24 V, 50/60 Hz 300lm
ETIQUETA ENERGÉTICA	F



ICONS



BIG COSS

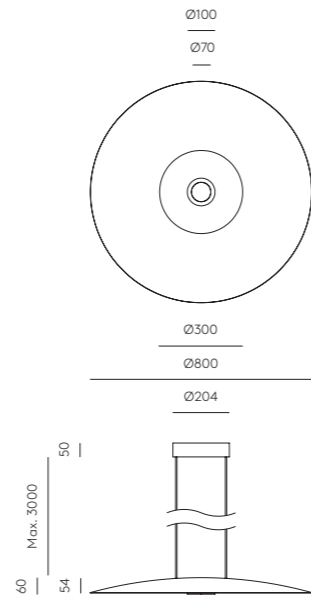
C1203/80

Pepe Fornas
Design 2024



EN	MATERIALS	Metal / Acrylic / Crystal
	FINISHES	Body Matt Black Diffuser Mirror
	SPECIFICATIONS (UE)	LED Strip 28W 2700K 2500lm TRIAC Dimmable + LED Spotlight 20W 2700K 1500lm TRIAC dimmable 220-240V/24V, 50/60Hz
	ENERGY LABEL	F

ES	MATERIALES	Metal / Acrílico / Cristal
	ACABADOS	Cuerpo Negro Mate Difuser Espejo
	ESPECIFICACIONES (UE)	Tira LED 28W 2700K 2500lm TRIAC regulable + Proyector LED 20W 2700K 1500lm TRIAC regulable 220-240V/24 V, 50/60 Hz
	CLASIFICACIÓN ENERGÉTICA	F



ICONS

MARU

C1194

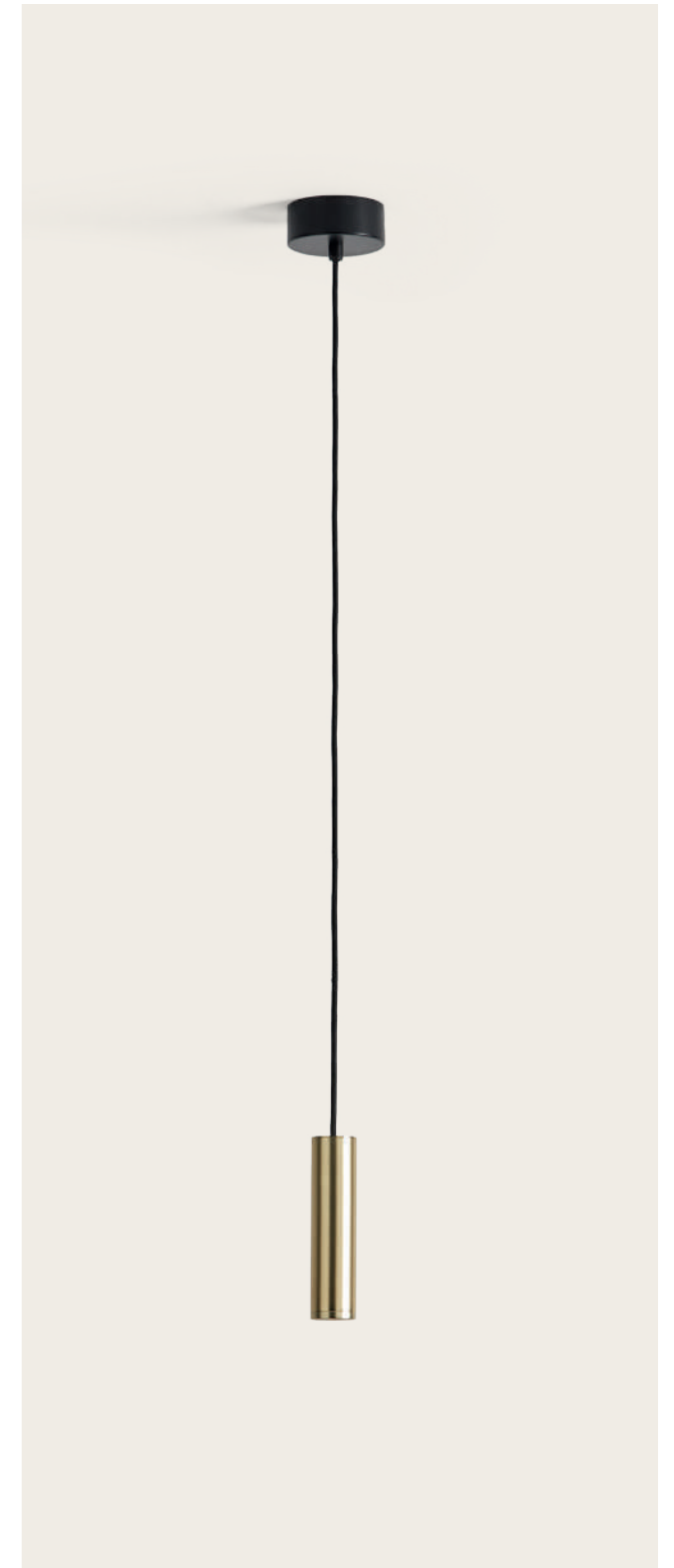
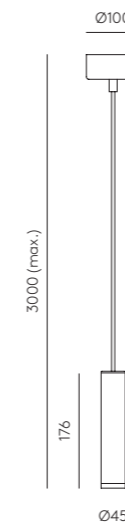
JF Sevilla
Design 2015



EN	MATERIALS	Steel
	FINISHES	Metal Matt Black- Matt Brass Matt Black- Matt Black
	SPECIFICATIONS (UE)	Integrated LED, 300lm 3W - 3000K, 12 V, 50/60 Hz
	ENERGY LABEL	F

ES	MATERIALES	Acero
	ACABADOS	Metal Negro Mate- Oro Mate Negro Mate- Negro Mate
	ESPECIFICACIONES (UE)	LED integrado, 300lm 3W - 3000K, 12 V, 50/60 Hz
	ETIQUETA ENERGÉTICA	F

ICONS



ELLA

C1158



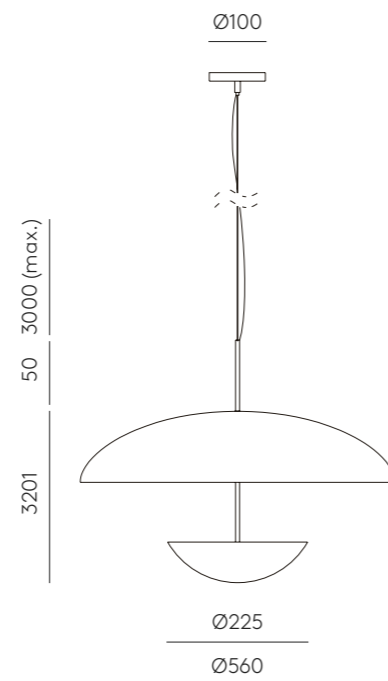
AC Studio
Design 2020



EN	MATERIALS	Metal / Acrylic	
	FINISHES	Big dome Matt Black - Exterior Matt White - Interior	Diffuser Matt Black Matt Brass
	SPECIFICATIONS (UE)	LED plate 9W 2700K (included) 900lm Dimmable 24V / 220-240 V, 50/60 Hz	
	ENERGY LABEL	F	

ES	MATERIALES	Metal / Acrílico	
	ACABADOS	Cúpula grande Negro Mate - Exterior Blanco Mate - Interior	Difusor Negro Mate Oro mate
	ESPECIFICACIONES (UE)	Placa LED 9W 2700K (incluida) 900lm Regulable 24V / 220-240 V, 50/60 Hz	
	CLASIFICACIÓN ENERGÉTICA	F	

ICONS



PTAN

C1154

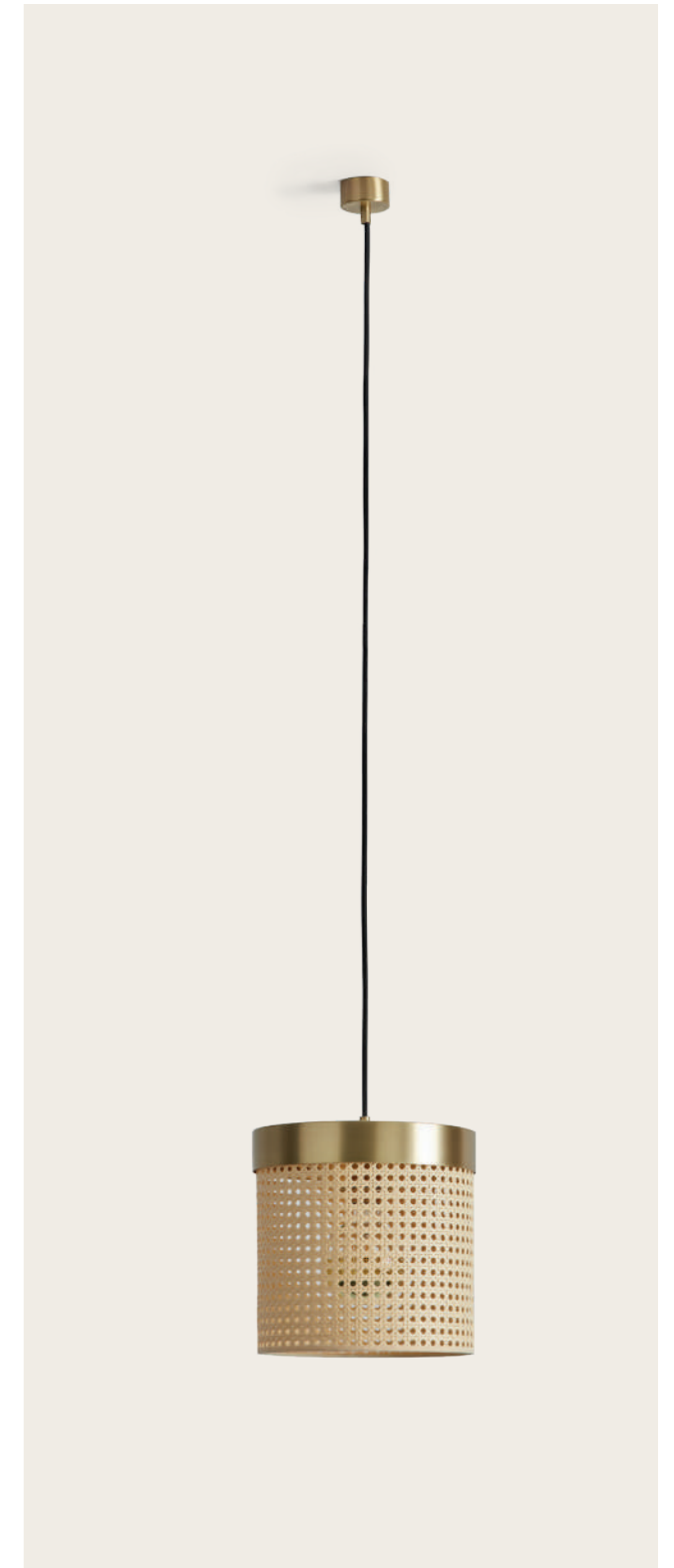
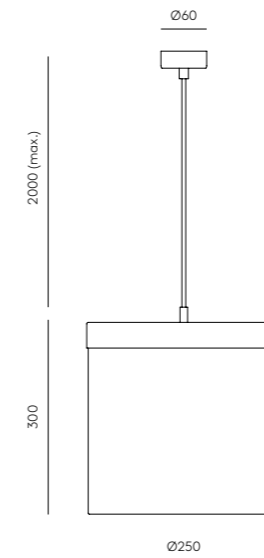
Fornasevi
Design 2018



EN	MATERIALS	Steel / Rattan	
	FINISHES	Metal Matt Brass Matt Black	Rattan Natural/Black
	SPECIFICATIONS (UE)	E27 Max. 15W dimmable (Not included) 220-240 V, 50/60 Hz	
	ENERGY LABEL	E	
	RECOMMENDED BULBS	B033/COB (Opal) B035/ORO (Mirrored)	

ES	MATERIALES	Acero / Ratán	
	ACABADOS	Metal Oro Mate Negro Mate	Ratán Natural/Negro
	ESPECIFICACIONES (UE)	E27 Max. 15W regulable (No incluida) 220-240 V, 50/60 Hz	
	ETIQUETA ENERGÉTICA	E	
	BOMBILLAS RECOMENDADAS	B033/COB (Opal) B035/ORO (Espejada)	

ICONS



GLAMM

C1130

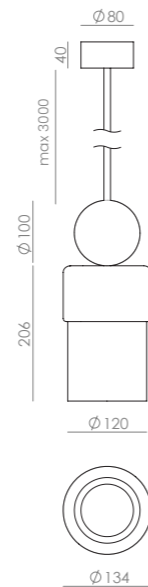


Colour metal:
Silhouette

Pepe Fornas
Design 2024



EN				
MATERIALS	Metal / Marble / Glass			
FINISHES	Metal	Chrome	Ceramic cover	Marble
	Shiny gold Black Matt brass	Black White Nickel	See colour palette p.484	White Green Brown Black
	Glass Clear striped			
SPECIFICATIONS (UE)	LED plate 7W 2700K 700 lm, TRIAC dimmable 220-240V/24 V, 50/60 Hz			
ENERGY LABEL	F			
ES				
MATERIALES	Metal / Mármol / Vidrio			
ACABADOS	Metal	Cromo	Tapa cerámica	Mármol
	Oro brillo Oro mate	Negro Blanco Niquel	Ver paleta de colores p.484	Blanco Verde Marrón Negro
	Cristal Estriado transparente			
ESPECIFICACIONES (UE)	Placa LED 7W 2700K 700 lm, TRIAC regulable 220-240V-24 V, 50/60 Hz			
ETIQUETA ENERGÉTICA	F			



ICONS



CORA

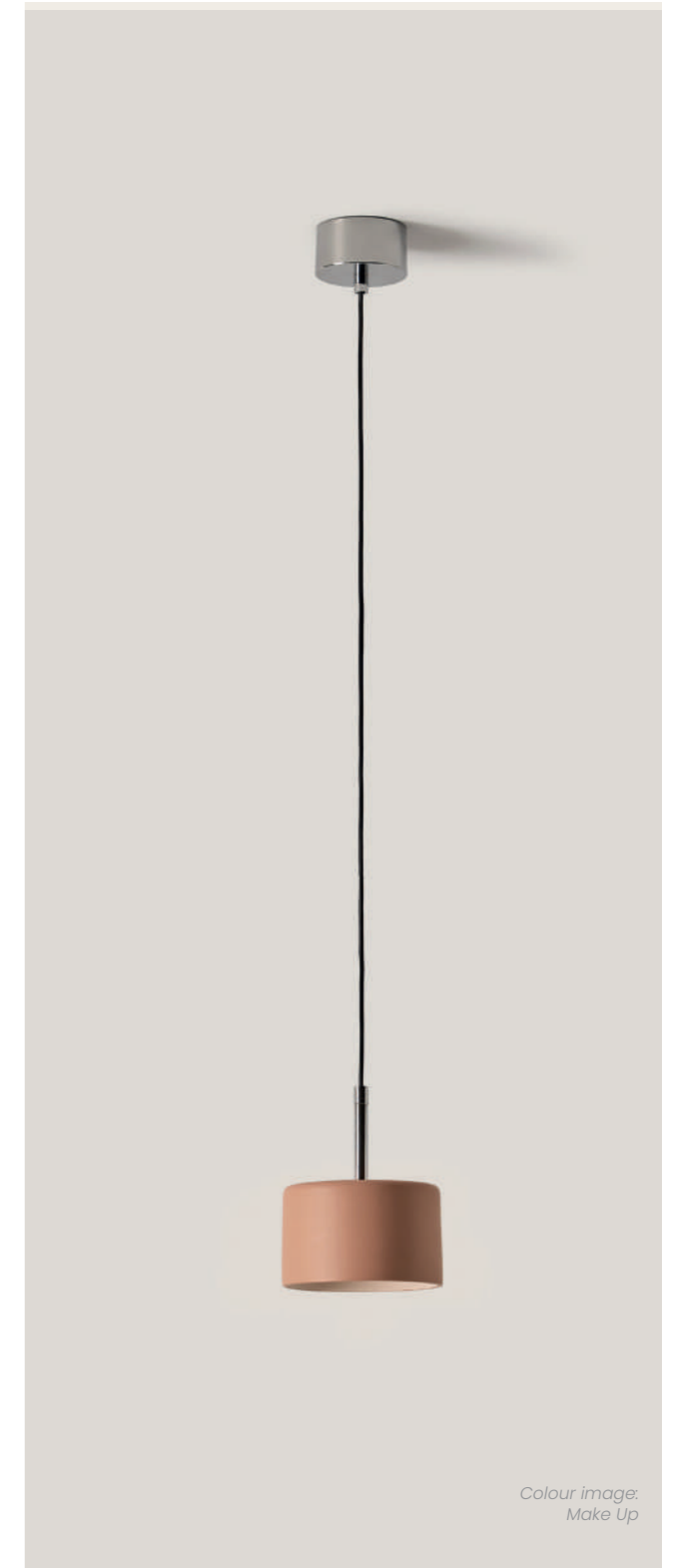
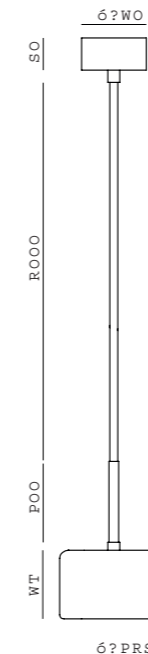
C1129

AC Studio
Design 2023



EN		
MATERIALS	Steel Ceramics	
FINISHES	Metal	Ceramics
	Shiny gold Matt brass Chrome White Black Nickel	Hand painted See colour palette p.484
SPECIFICATIONS (UE)	LED plate 7W 2700K 220-240V, 50/60Hz 700lm	
ENERGY LABEL	F	
ES		
MATERIALES	Acero Cerámica	
ACABADOS	Metal	Cerámica
	Oro Brillo Oro mate Cromo Blanco Negro Niquel	Pintada a mano Consultar paleta de colores p.484
ESPECIFICACIONES (UE)	Placa LED 7W 2700K 220-240 V, 50/60 Hz 700lm	
ETIQUETA ENERGÉTICA	F	

ICONS



Colour image:
Make Up



Colour image:
Nude

TICO

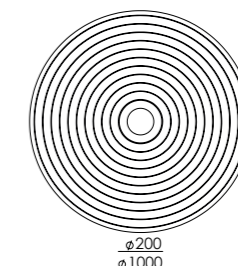
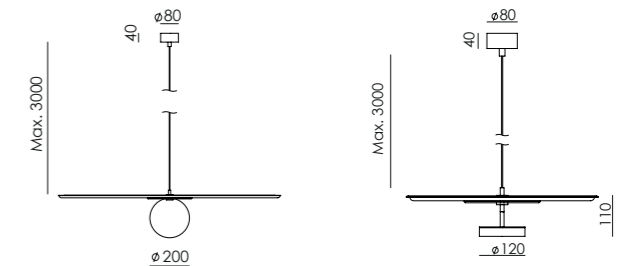
C1095/100
C1095/50

AC Studio
Design 2025

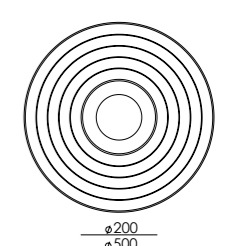


Colour image:
Green Leaf & Mustard

EN	MATERIALS Metal / Acoustic disc	
	FINISHES	Body Matt black Aged gold
		Accessory Matt black metal Aged gold metal
	SPECIFICATIONS (UE)	· Integrated Dimmable LED 9W 950lm 2700K 220-240V 50/60Hz · Bulb G9 5W 450lm 2700k 220-240V 50/60Hz. Opal shade
	ENERGY LABEL	F
	POSSIBLE MODIFICATIONS	LED plate with direct or indirect light emission
ES	MATERIALES Metal / Disco acústico	
	ACABADOS	Cuerpo Negro mate Oro envejecido
		Accesorio: Metal negro mate Metal oro envejecido
	ESPECIFICACIONES (UE)	· Placa LED regulable 9W 950lm 2700K 220-240V 50/60Hz · Bombilla G9 5W 450lm 2700k 220-240V 50/60Hz. Tulipa opal
	CLASIFICACIÓN ENERGÉTICA	F
	POSIBLES MODIFICACIONES	Placa LED con luz directa o indirecta.



C1095/100/BULB



C1095/50/LED

ICONS



Available with LED or bulb option in both models /
Posibilidad LED o bombilla en ambos modelos

Disc: See colour palette p.484
Disco: Consultar paleta de color p.484

PIRE

C1090



Colour image:
Green Leaf & Mola green

AC Studio
Design 2025

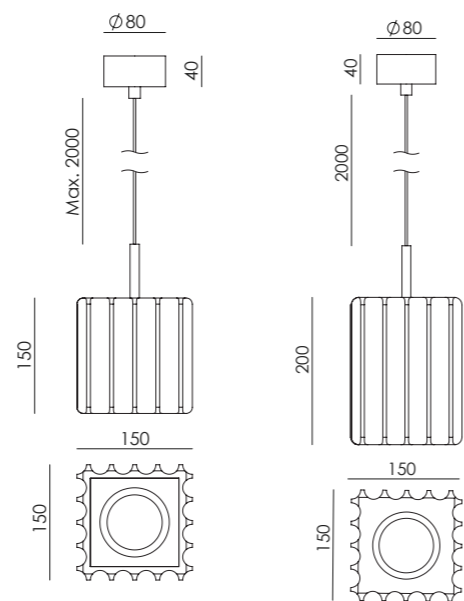


EN

MATERIALS	Metal / Ceramic	
FINISHES	Metal Chrome Matt black Matt gold Matt white Nickel Shiny gold	Ceramics See colour palette
SPECIFICATIONS (UE)	GU10 5W 2700K 500lm 220-240V · 50/60Hz	
ENERGY LABEL	E	

ES

MATERIALES	Metal / Cerámica	
ACABADOS	Metal Cromo Negro mate Oro mate Blanco mate Níquel Oro brillo	Cerámica Consultar paleta de colores
ESPECIFICACIONES (UE)	GU10 5W 2700K 500lm 220-240V · 50/60Hz	
CLASIFICACIÓN ENERGÉTICA	E	



Sizes:
C1090/S - 15x15x15
C1090/L - 15x15x20

IP20 CE



Colour image:
Terracota



Colour ceramics:
Silhouette

DENA

C1088

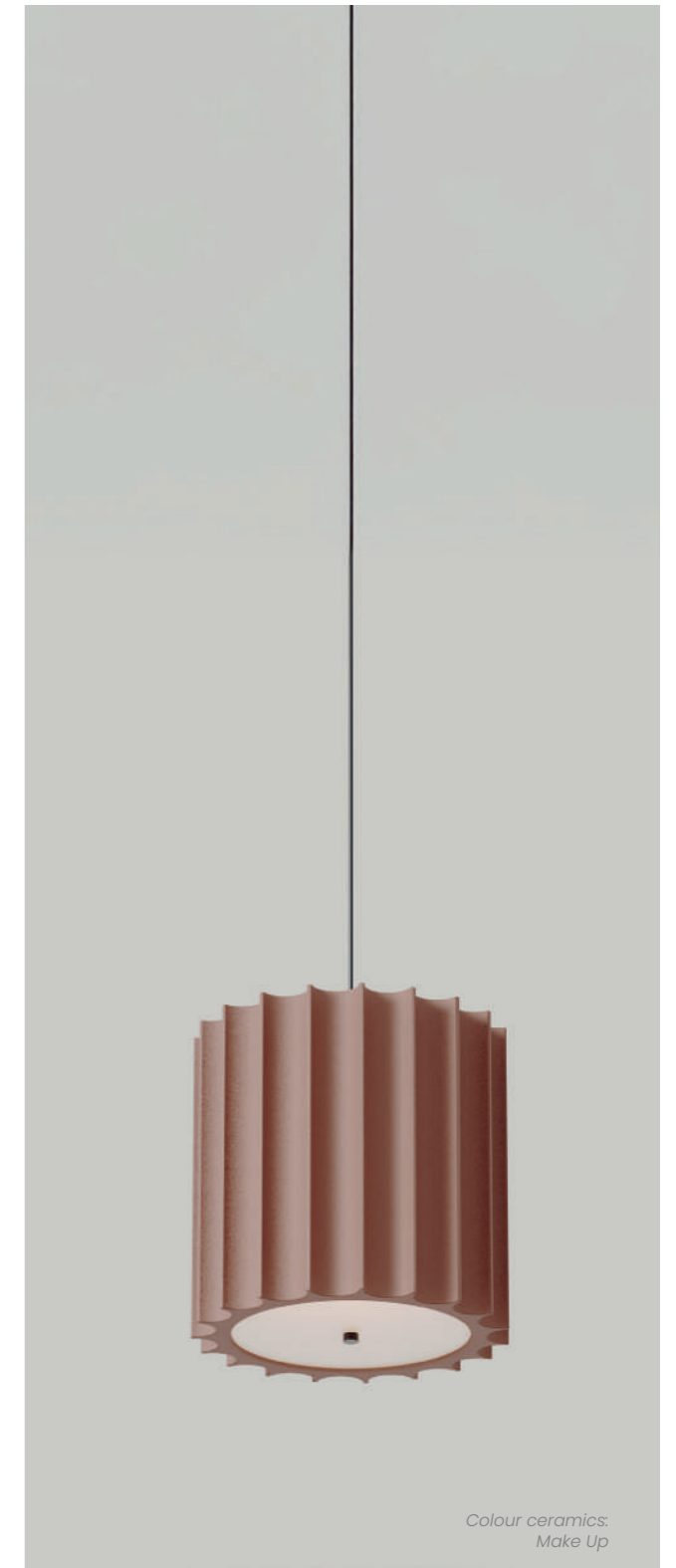
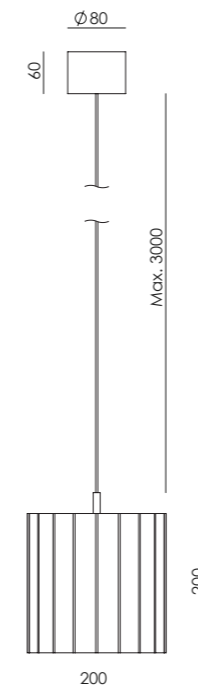
AC Studio
Design 2024



EN	MATERIALS Metal / Ceramic	
FINISHES	Metal Chrome Matt black Matt gold Matt white Nickel Polished gold	Ceramic See colour palette p.484
SPECIFICATIONS (UE)	LED plate 9W 810lm 2700K 220-240 V, 50/60 Hz dimnable	
ENERGY LABEL	F	

ES	MATERIALES Metal / Cerámica	
ACABADOS	Metal Cromo Negro mate Oro mate Blanco mate Niquel Oro brillo	Cerámica Consultar paleta de colores p.484
ESPECIFICACIONES (UE)	Placa LED 9W 810lm 2700K 220-240 V, 50/60 Hz regulable	
CLASIFICACIÓN ENERGÉTICA	F	

ICONS IP20 CE RoHS LED A++



Colour ceramics:
Make Up



Colour ceramics:
Persimon

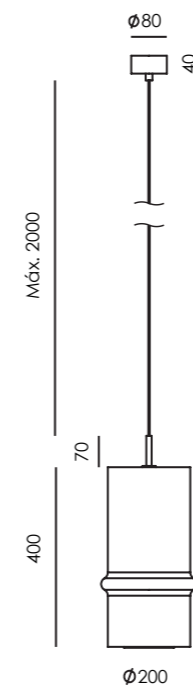
BAMBÚ

C1087

AC Studio
Design 2025



EN	MATERIALS Metal / Ceramic	
	FINISHES	Ceramic
	<ul style="list-style-type: none"> Chrome Matt black Matt gold Matt white Nickel Shiny gold 	<ul style="list-style-type: none"> See colour palette p.484
	SPECIFICATIONS (UE)	GU-10 5W 450lm 2700K 220-240 V, 50/60 Hz
	ENERGY LABEL	E
ES	MATERIALES Metal / Cerámica	
	ACABADOS	Cerámica
	<ul style="list-style-type: none"> Cromo Negro mate Oro mate Blanco mate Níquel Oro brillo 	<ul style="list-style-type: none"> Consultar paleta de colores p.484
	ESPECIFICACIONES (UE)	GU-10 5W 450lm 2700K 220-240 V, 50/60 Hz
	CLASIFICACIÓN ENERGÉTICA	E
ICONS		



Colour ceramics:
Brown sugar



Colour ceramics:
left: terracota
right: silhouette

COPO

C1085



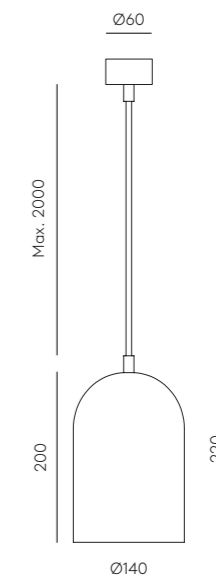
Colour ceramics:
left to right: Chocolate Brown / Mocca / Green leaf

Pepe Fornas
Design 2024



EN	MATERIALS Steel / Ceramic / Marble		
FINISHES	Metal Matt brass Shiny gold Matt black Matt white Chrome Satin nickel	Marble White Black Green Brown	Ceramic See color palette
SPECIFICATIONS (UE)	E27max. 15W LED (not included) 230V, 50/60 Hz		
ENERGY LABEL	E		

ES	MATERIALES Acero / Mármol / Cerámica		
ACABADOS	Metal Oro mate Oro brillo Negro mate Blanco mate Cromo Níquel satinado	Mármol Blanco Negro Verde Marrón	Cerámica Ver paleta de colores
ESPECIFICACIONES (UE)	E27 max. 15W LED (no incluida) 230V, 50/60 Hz		
CLASIFICACIÓN ENERGÉTICA	E		



ICONS



*Hand painted. Pintado a mano

BELL

C1084

Pepe Fornas
Design 2024



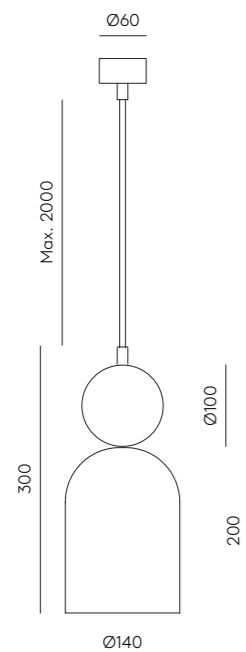
EN

MATERIALS	Steel / Ceramic / Marble		
FINISHES	Metal Matt brass Shiny gold Matt black Matt white Chrome Satin nickel	Marble White Black Green Brown	Ceramic See color palette
SPECIFICATIONS (UE)	E27max. 15W LED (not included) 230V, 50/60 Hz		
ENERGY LABEL	E		

ES

MATERIALES	Acero / Mármol / Cerámica		
ACABADOS	Metal Oro mate Oro brillo Negro mate Blanco mate Cromo Níquel satinado	Mármol Blanco Negro Verde Marrón	Cerámica Ver paleta de colores
ESPECIFICACIONES (UE)	E27 max. 15W LED (no incluida) 230V, 50/60 Hz		
CLASIFICACIÓN ENERGÉTICA	E		

ICONS



Colour ceramics:
Terracota

ALPHA

C1083

AC Studio
Design 2019



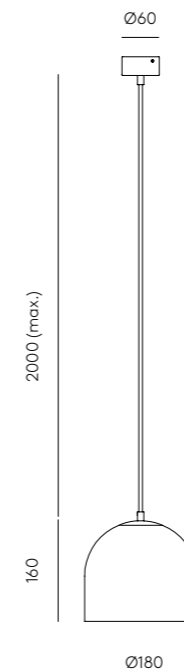
EN

MATERIALS	Steel / Ceramic	
FINISHES	Metal Matt brass Shiny gold Matt black Matt white Chrome Satin nickel	Shade See color palette
SPECIFICATIONS (UE)	E27 Max. 15W (Not included) 220-240 V, 50/60 Hz	
ENERGY LABEL	E	

ES

MATERIALES	Acero / Cerámica	
ACABADOS	Metal Oro mate Oro brillo Negro mate Blanco mate Cromo Níquel satinado	Tulipa Ver paleta de colores
ESPECIFICACIONES (UE)	E27 Max. 15W (No incluida) 220-240 V, 50/60 Hz	
CALIFICACIÓN ENERGÉTICA	E	

ICONS



Colour image:
Banana Green

BETA

C1082

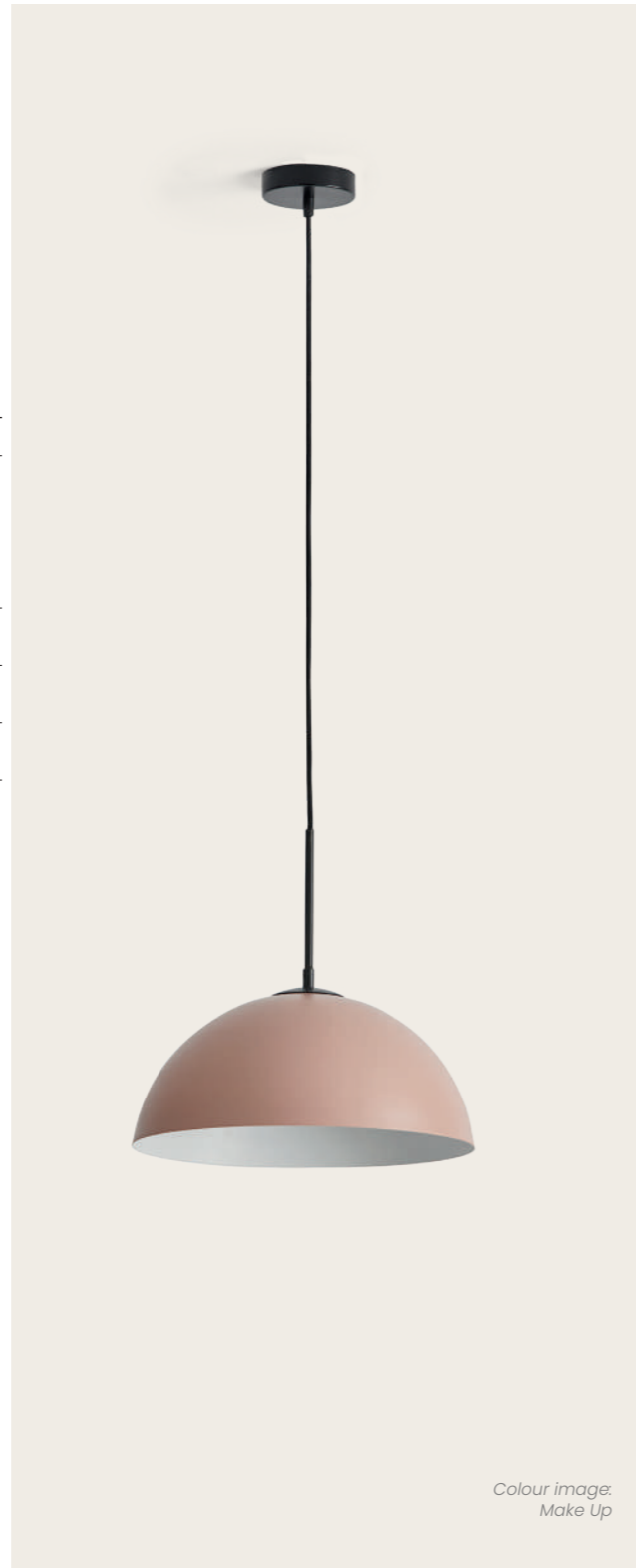
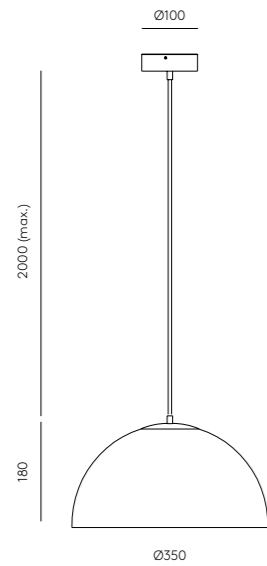
AC Studio
Design 2019



EN	MATERIALS Steel/Ceramics	
FINISHES	Metal Black Gold Matt brass Chrome White Nickel	Shade See color palette
SPECIFICATIONS (UE)	E27 Max. 15W (Not included) 220-240 V, 50/60 Hz	
ENERGY LABEL	E	
POSSIBLE MODIFICATIONS	Color out of color palette - Extracost	
RECOMMENDED BULB	B033/COB	

ES	MATERIALES Acero / Cerámica	
ACABADOS	Metal Negro Oro Oro mate Cromo Blanco Níquel	Tulipa Ver paleta de colores
ESPECIFICACIONES (UE)	E27 Max. 15W (No incluida) 220-240 V, 50/60 Hz	
CLASIFICACIÓN ENERGÉTICA	E	
MODIFICACIONES POSIBLES	Color fuera paletade colores - Sobrecoste	
BOMBILLAS RECOMENDADA	B033/COB	

ICONS



Colour image:
Make Up

GAMMA

C1081

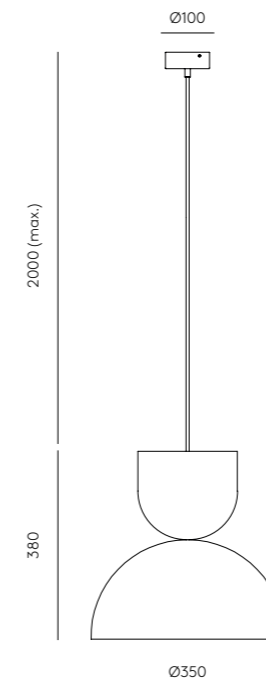
AC Studio
Design 2019



EN	MATERIALS Steel	
FINISHES	Shade Color Palette	Metal Black Matt brass Chrome White
SPECIFICATIONS (UE)	Led Diffuser 9W 900lm 2700K 220-240V/24V, 50/60 Hz	
ENERGY LABEL	F	
POSSIBLE MODIFICATIONS	Color out of color palette - Extracost E27 Lamp holder	

ES	MATERIALES Acero	
ACABADOS	Tulipa Paleta Colores	Metal Negro Oro mate Cromo Blanco
ESPECIFICACIONES (UE)	Difusor Led 9W 900lm 2700K 220-240V/24V, 50/60 Hz	
ETIQUETA ENERGÉTICA	F	
MODIFICACIONES POSIBLES	Color fuera paletade colores - Sobrecoste Portalámparas E27	

ICONS



Colour image:
Cyber & Mola Green

*Recommended bulb: B033/COB.
Bombilla recomendada: B033/COB.

CURN

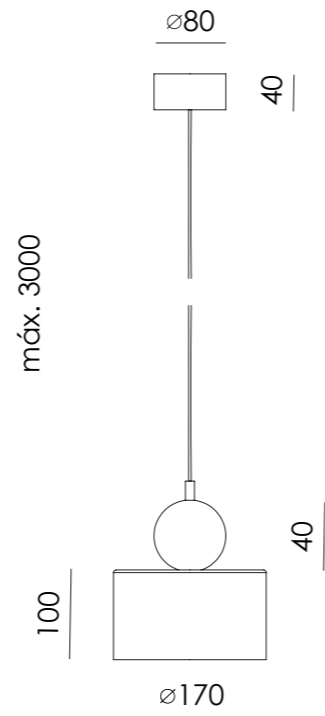
C1080



Colour image:
Terracota

AC Studio
Design 2026

EN	MATERIALS Metal / Marble / Ceramics			
	FINISHES	Metal Matt Blak	Ceramic See color palette	Marble White Green Brown Black
		Glass Clear striped		
	SPECIFICATIONS (UE)	LED plate 7W 2700K 700 lm, TRIAC dimmable 220-240V/24 V, 50/60 Hz		
	ENERGY LABEL	F		
ES	MATERIALES Metal / Mármol / Ceramics			
	ACABADOS	Metal Negro mate	Cerámica Ver paleta de colores	Mármol Blanco Verde Marrón Negro
		Cristal Estriado transparente		
	ESPECIFICACIONES (UE)	Placa LED 7W 2700K 700 lm, TRIAC regulable 220-24024 V, 50/60 Hz		
	ETIQUETA ENERGÉTICA	F		
ICONS				



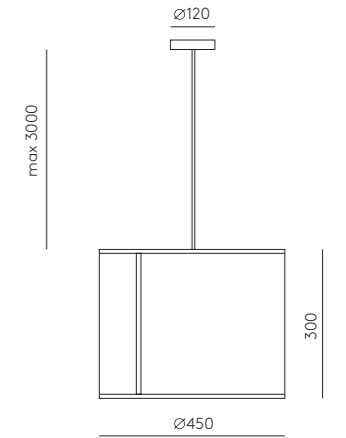
TAB

C1010+801131



AC Studio
Design 2026

EN	MATERIALS Linen / Leather / Metal			
	FINISHES	Linen Dark	Leather Black	Metal Matt brass Matt black
	SPECIFICATIONS (UE)	E27 max 11W (bulb not included) 220-240 V, 50/60 Hz		
	ENERGY LABEL	E		
ICONS				



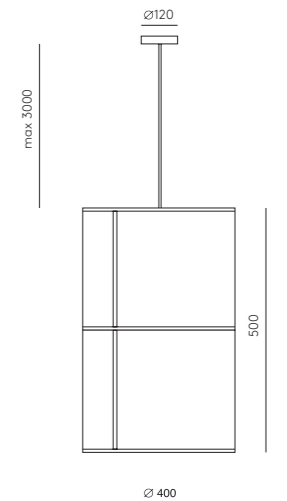
TAB

C1010 + 801132



AC Studio
Design 2026

EN	MATERIALS Linen / Leather / Metal			
	FINISHES	Linen Light	Leather Orange	Metal Matt brass Matt black
	SPECIFICATIONS (UE)	E27 max 11W (bulb not included) 220-240 V, 50/60 Hz		
	ENERGY LABEL	E		
ICONS				



HADO

T1331

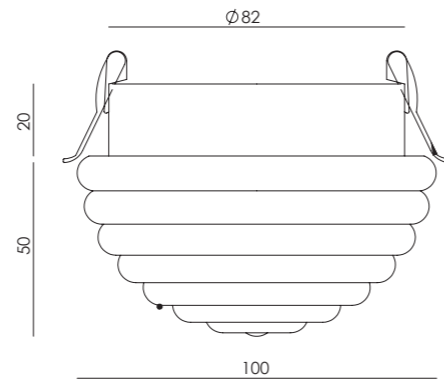


Pepe Fornas
Design 2024



EN	MATERIALS	Metal Glass
	FINISHES	Metal Aged Gold Glass Optic clear striped
	SPECIFICATIONS (UE)	Bulb G9, 5W450lm 2700K dimmable 220-240 V, 50/60 Hz
	ENERGY LABEL	E

ES	MATERIALES	Metal Cristal
	ACABADOS	Metal Oro envejecido Cristal Óptico transparente estriado
	ESPECIFICACIONES (UE)	Bombilla G9, 5W 450lm 2700K regulable 220-240 V, 50/60 Hz
	CLASIFICACIÓN ENERGÉTICA	E



ICONS



DOUL

T1310

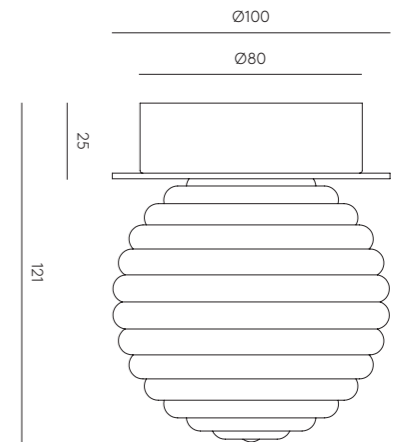


Agus Gascón
Design 2023



EN	MATERIALS	Steel / Glass
	FINISHES	Body Matt black Aged gold Glass Striped glass Transparent
	SPECIFICATIONS (UE)	G4 LEDs 3W 300lm 2700K Dimmable (Included) 220-240V, 50/60Hz
	ENERGY LABEL	E

ES	MATERIALES	Metal / Vidrio
	ACABADOS	Cuerpo Negro mate Oro envejecido Cristal Cristal rayado Transparente
	ESPECIFICACIONES (UE)	G4 LED 3W 300lm 2700K Regulable (Incluida) 220-240 V, 50/60 Hz
	ETIQUETA ENERGÉTICA	E



ICONS



YCRO

T1297



JF Sevilla
Design 2022



EN	MATERIALS	Steel
	FINISHES	Metal Matt black Matt gold/Matt black

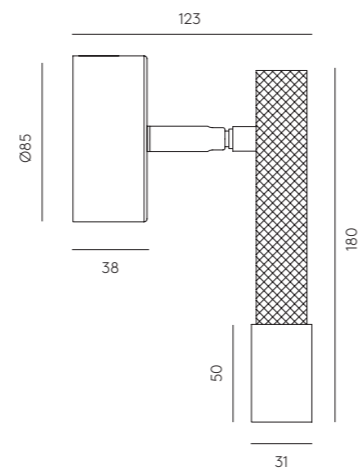
SPECIFICATIONS (UE)	Integrated LED chip 8W - 2700K Dimmable 220-240V /24V - 50/60Hz 800lm
----------------------------	---

ENERGY LABEL	F
---------------------	---

ES	MATERIALES	Acero
	ACABADOS	Metal Negro mate Oro mate/ Negro mate

ESPECIFICACIONES (UE)	Chip LED integrado 8W - 2700K Regulable por DALI/PUSH 220-240V - 24V - 50/60 Hz 800lm
------------------------------	---

ETIQUETA ENERGÉTICA	F
----------------------------	---

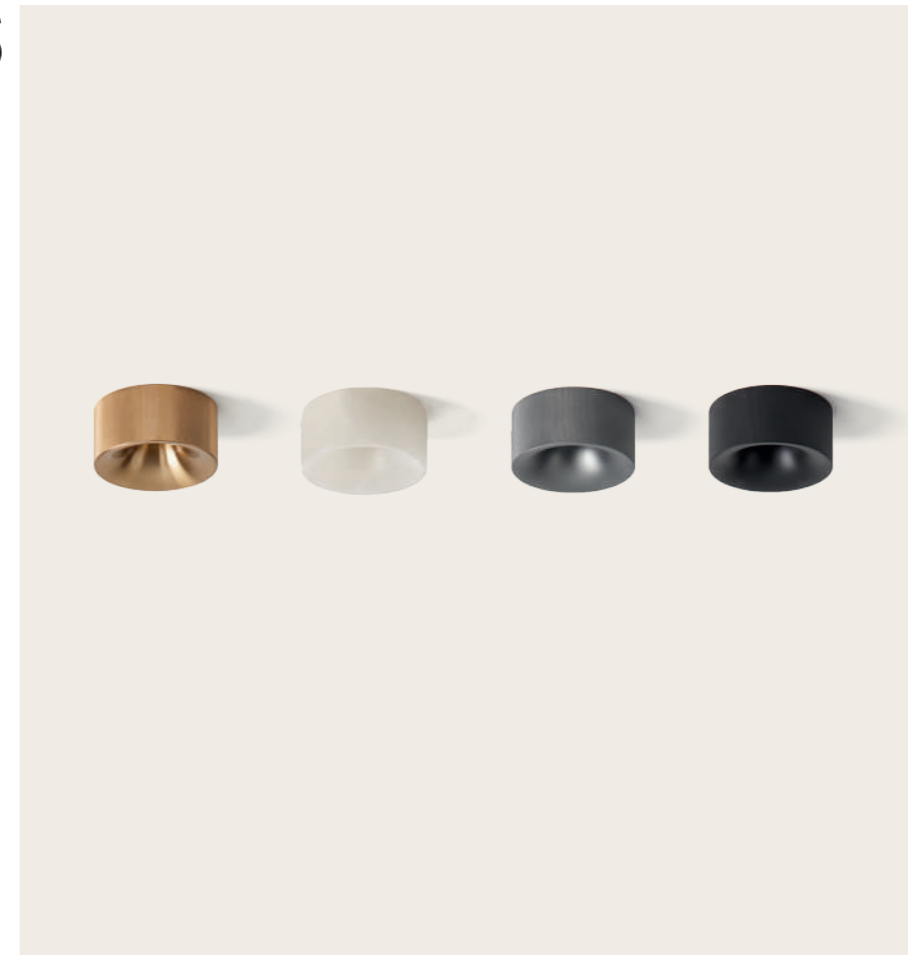


ICONS



FOCUS

T1279



Pepe Fornas
Design 2021



EN	MATERIALS	Steel / Alabastro
	FINISHES	Body Black Aged gold Anthracite Alabastro

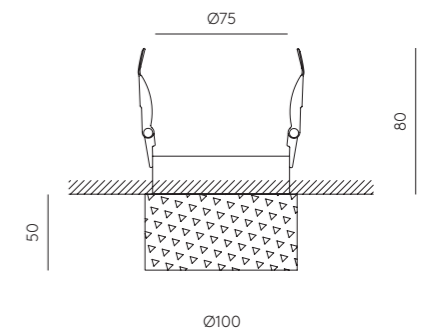
SPECIFICATIONS (UE)	GU10 LED (included) 5W 450lm 2700K 220-240V/24V 50/60Hz
----------------------------	---

ENERGY LABEL	E
---------------------	---

ES	MATERIALES	Acero / Alabastro
	ACABADOS	Cuerpo Negro Oro mate Antracita Alabastro

ESPECIFICACIONES (UE)	GU10 LED (incluido) 5W 450lm 2700K 220-240V/24V 50/60 Hz
------------------------------	---

ETIQUETA ENERGÉTICA	E
----------------------------	---



ICONS



NOON

T1278/3



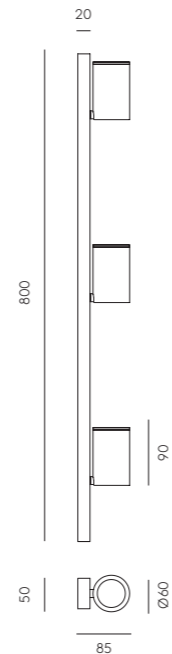
AC Studio
Design 2022



EN	
MATERIALS	Steel
FINISHES	Blued Matt Black
SPECIFICATIONS (UE)	3 x GU10 5W - 2700K (Included) Dimmable by Triac 220-240V, 50/60Hz 1350lm
ENERGY LABEL	E

ES	
MATERIALES	Acero
ACABADOS	Pavonado Negro mate
ESPECIFICACIONES (UE)	3 x GU10 5W - 2700K (Incluida) Regulable por Triac 220-240 V, 50/60 Hz 1350lm
ETIQUETA ENERGÉTICA	E

ICONS



NOON

T1278/1

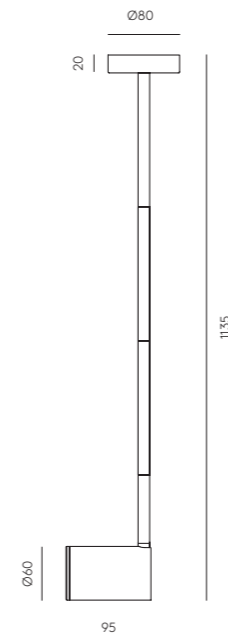
AC Studio
Design 2022



EN	
MATERIALS	Steel
FINISHES	Blued Matt Black
SPECIFICATIONS (UE)	GU10 5W - 2700K (Included) Dimmable by Triac 220-240V, 50/60Hz 450lm
ENERGY LABEL	E

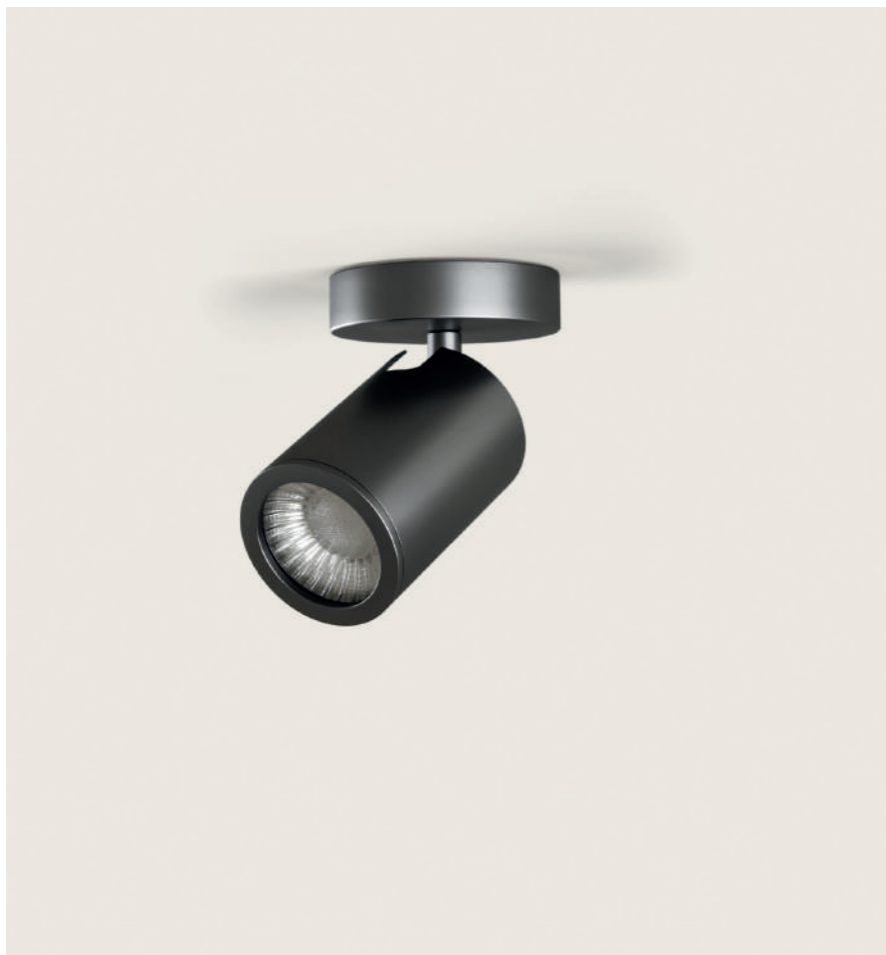
ES	
MATERIALES	Acero
ACABADOS	Pavonado Negro mate
ESPECIFICACIONES (UE)	GU10 5W - 2700K (Incluida) Regulable por Triac 220-240 V, 50/60 Hz 450lm
ETIQUETA ENERGÉTICA	E

ICONS



NOON

T1278

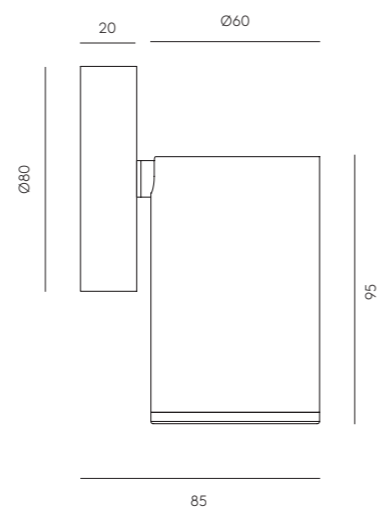


AC Studio
Design 2022



EN	
MATERIALS	Steel
FINISHES	Blued Matt Black
SPECIFICATIONS (UE)	GU10 5W - 2700K (Included) Dimmable by Triac 220-240V, 50/60Hz 450lm
ENERGY LABEL	E

ES	
MATERIALES	Acero
ACABADOS	Pavonado Negro mate
ESPECIFICACIONES (UE)	GU10 5W - 2700K (Incluida) Regulable por Triac 220-240 V, 50/60 Hz 450lm
ETIQUETA ENERGÉTICA	E



ICONS



LATTO

T1268

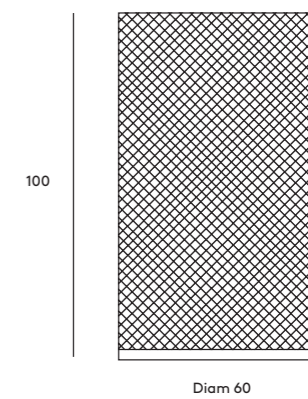


AC Studio
Design 2023



EN	
MATERIALS	Aluminium
FINISHES	Aged gold Matt black Anthracite
SPECIFICATIONS (UE)	GU10 LED 5W 450lm 2700K Dimmable (Included) 220-240 V, 50/60 Hz
ENERGY LABEL	E

ES	
MATERIALES	Aluminio
ACABADOS	Oro envejecido Negro mate Antracita
ESPECIFICACIONES (UE)	GU10 LED 5W 450lm 2700K Regulable (Incluida) 220-240 V, 50/60 Hz
CLASIFICACIÓN ENERGÉTICA	E



ICONS



TAMB 30-50

T1019/30/50

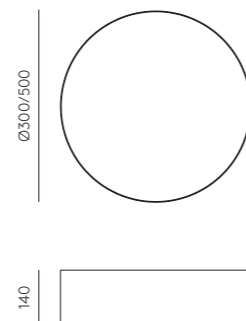


AC Studio
Design 2011



EN									
MATERIALS	Fabric Cotton								
FINISHES	<table border="1"> <thead> <tr> <th>Fabric</th> <th>Diffuser</th> </tr> </thead> <tbody> <tr> <td>White</td> <td>White</td> </tr> <tr> <td>Grey</td> <td></td> </tr> <tr> <td>Black</td> <td></td> </tr> </tbody> </table>	Fabric	Diffuser	White	White	Grey		Black	
Fabric	Diffuser								
White	White								
Grey									
Black									
SPECIFICATIONS (UE)	2 x E27 Max. 15W (Not included) 220-240 V, 50/60 Hz								
ENERGY LABEL	E								

ES									
MATERIALES	Loneta de Algodón								
ACABADOS	<table border="1"> <thead> <tr> <th>Tela</th> <th>Difusor</th> </tr> </thead> <tbody> <tr> <td>Blanco</td> <td>Blanco</td> </tr> <tr> <td>Gris</td> <td></td> </tr> <tr> <td>Negro</td> <td></td> </tr> </tbody> </table>	Tela	Difusor	Blanco	Blanco	Gris		Negro	
Tela	Difusor								
Blanco	Blanco								
Gris									
Negro									
ESPECIFICACIONES (UE)	2 x E27 Max. 15W (No incluida) 220-240 V, 50/60 Hz								
ETIQUETA ENERGÉTICA	E								



* Bombillas recomendadas: B211 (7, 9W)
Recommended bulbs: B211 (7, 9W)



TAMB SQUARE

T1016

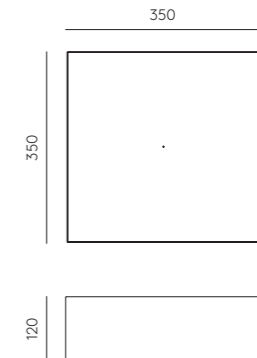


AC Studio
Design 2010



EN									
MATERIALS	Fabric Cotton								
FINISHES	<table border="1"> <thead> <tr> <th>Fabric</th> <th>Diffuser</th> </tr> </thead> <tbody> <tr> <td>White</td> <td>White</td> </tr> <tr> <td>Grey</td> <td></td> </tr> <tr> <td>Black</td> <td></td> </tr> </tbody> </table>	Fabric	Diffuser	White	White	Grey		Black	
Fabric	Diffuser								
White	White								
Grey									
Black									
SPECIFICATIONS (UE)	2 x E27 Max. 15W (Not included) 220-240 V, 50/60 Hz								
ENERGY LABEL	E								

ES									
MATERIALES	Loneta de Algodón								
ACABADOS	<table border="1"> <thead> <tr> <th>Tela</th> <th>Difusor</th> </tr> </thead> <tbody> <tr> <td>Blanco</td> <td>Blanco</td> </tr> <tr> <td>Gris</td> <td></td> </tr> <tr> <td>Negro</td> <td></td> </tr> </tbody> </table>	Tela	Difusor	Blanco	Blanco	Gris		Negro	
Tela	Difusor								
Blanco	Blanco								
Gris									
Negro									
ESPECIFICACIONES (UE)	2 x E27 Max. 15W (No incluida) 220-240 V, 50/60 Hz								
ETIQUETA ENERGÉTICA	E								



* Bombillas recomendadas: B211 (7, 9W)
Recommended bulbs: B211 (7, 9W)



CREATE YOUR OWN PENDANT LAMP



**CREA TU PROPIA
LÁMPARA COLGANTE**

01

Which pendant is ideal for your lamp?

Search through our extensive catalog of individual pendants and choose the ideal one for your idea and space.

Qué colgante es ideal para su lámpara?

Busque entre nuestro amplio catálogo de colgantes individuales y elija el ideal para tu idea y espacio.

02

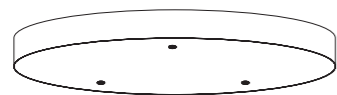
Shape and measurements of the canopy

Check the space where the lamp will be installed and check which size and shape best suits it.

Forma y medidas del florón

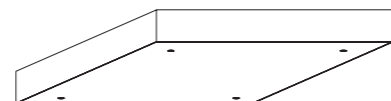
Revise el espacio donde se instalará la lámpara y compruebe qué tamaño y forma se adapta mejor al mismo.

AC Studio
Design 2020



Round

300 x 300 x 45 mm
500 x 500 x 45 mm
700 x 700 x 45 mm



Square

400 x 400 x 45 mm
600 x 400 x 45 mm

Rectangle

700 x 250 x 45 mm
700 x 45 x 45 mm



** Para otras medidas y formas, consulte a nuestro departamento técnico y comercial.*



03

Finishes and canopy outsides

Our basic finishes are: Matt black and matt white.

You must inform us of the number of outlets and their distribution, as well as the length of each pendant.

Acabados y salidas del florón

Nuestros acabados básicos son: Negro mate y blanco mate.

Debe informarnos del número de salidas y su distribución, así como de la longitud de cada colgante.

Floor

ARIO	P1234	350
ARTIC	P1256	340
ATOM	P1214	353
BIG DUSSA	P1307	333
COLN	P1267	337
COT	P1251	343
DIRA	P1185	355
ELMA	P1312	330
ENDO	P1156	357
FICUS	P1243	346
FLOW	P1339	323
GEHIT	P1350	321
HEDRA	P1159	356
HINOO	P1266	339
IRZO	P1353	316
LUCA	P1237	347

LYB	P1274	336
MAHO	P1254	341
MAPI	P1235	348
MARU	P1194	354
NERA	P1229	351
NIRO	P1314	328
NOOI	P1276	335
NUMU	P1343	322
OKET	P1317	327
PULL	P1249	344
REMS	P1318	322
SOKO	P1335/8	324
TEX	P1026	359
VITREE	P1346	318

IRZO


P1353

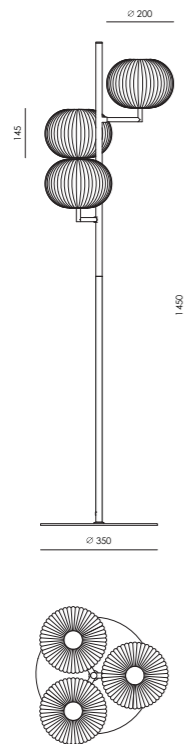


Pepe Fornas
Design 2026

EN	
MATERIALS	Metal / Glass
FINISHES	Metal Matt black / Aged gold Glass Opal
SPECIFICATIONS (UE)	3 x G9 5W 2700K 1350lm 220-240V, 50/60 Hz Dimmer on cable
ENERGY LABEL	E

ES	
MATERIALES	Metal / Cristal
ACABADOS	Metal Negro mate / Oro envejecido Cristal Opal
ESPECIFICACIONES (UE)	3 x G9 5W 2700K 1350lm 220-240V, 50/60 Hz Regulador en cable
CLASIFICACIÓN ENERGÉTICA	E

ICONS IP20    



VITREE

P1346

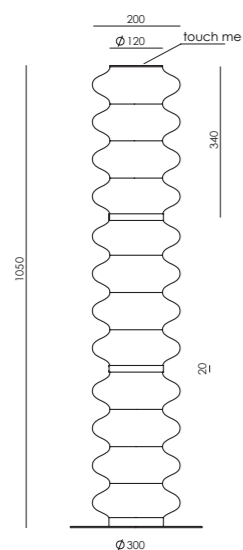
Pepe Fornas
Design 2025



EN	
MATERIALS	Metal / Glass
FINISHES	Metal Matt black / Aged gold Glass Clear
SPECIFICATIONS (UE)	LED Strip 28W 2700K Touch me on top cover 220-240V, 50/60 Hz
ENERGY LABEL	F

ES	
MATERIALES	Metal / Cristal
ACABADOS	Metal Negro mate / Oro envejecido Cristal Transparente
ESPECIFICACIONES (UE)	Tira LED 28W 2700K Touch me en la cubierta superior 220-240V, 50/60 Hz
CLASIFICACIÓN ENERGÉTICA	F

ICONS	IP20    
--------------	--





GEHIT

P1350

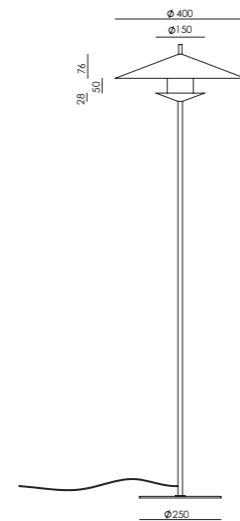


Pepe Fornas
Design 2025

EN		
MATERIALS	Metal / Wood / Glass	
FINISHES	Metal Matt black Aged gold Wood Dark walnut	Glass Striped glass Difusser Opal
SPECIFICATIONS (UE)	LED Strip 9W 900lm 2700K 220-240V, 50/60 Hz	
ENERGY LABEL	F	

ES		
MATERIALES	Metal / Madera / Cristal	
ACABADOS	Metal Negro mate Oro envejecido Madera Nogal oscuro	Cristal Cristal estriado Difusor Opal
ESPECIFICACIONES (UE)	Tira LED 9W 900lm 2700K 220-240V, 50/60 Hz	
CLASIFICACIÓN ENERGÉTICA	F	

ICONS IP20




NUMU

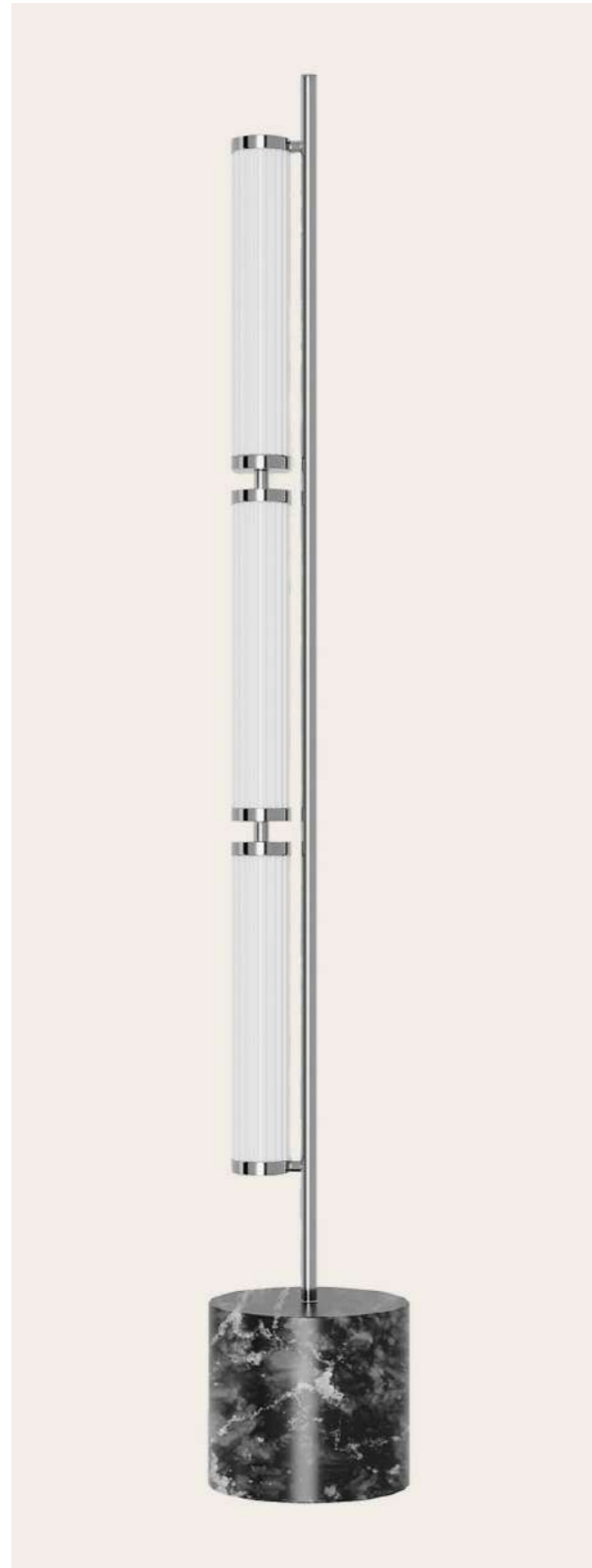
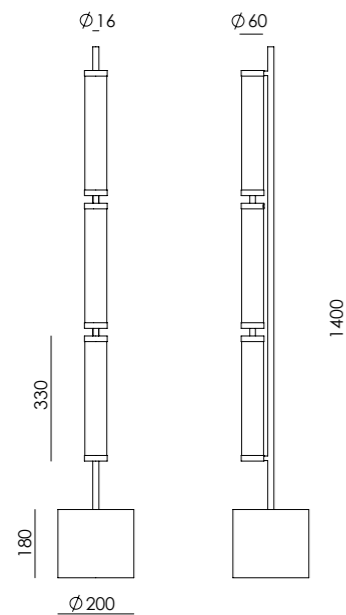
P1343

AC Studio
Design 2025

EN	MATERIALS	Metal / Glass / Marble
	FINISHES	Metal Chrome Marble Black
	SPECIFICATIONS (UE)	LED Strip 9W 2700K Dimmer on cable 220-240V, 50/60 Hz
	ENERGY LABEL	F

ES	MATERIALES	Metal / Cristal / Mármol
	ACABADOS	Metal Cromo Mármol Negro
	ESPECIFICACIONES (UE)	Tira LED 9W 2700K Regulador en cable 220-240V, 50/60 Hz
	CLASIFICACIÓN ENERGÉTICA	F

ICONS IP20    



FLOW


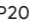



P1339

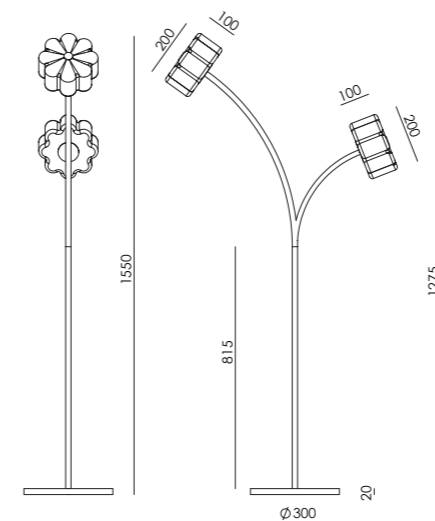
Pepe Fornas
Design 2024



EN	MATERIALS	Metal / Glass / Marble
	FINISHES	Metal Matt black Aged gold Glass Opal
	SPECIFICATIONS (UE)	2 x G9 7W 2700K 1400lm Dimmable switch on cable 220-240V -50/60 Hz
	ENERGY LABEL	E

ES	MATERIALES	Metal / Cristal / Mármol
	ACABADOS	Metal Negro mate Oro envejecido Cristal Opal
	ESPECIFICACIONES (UE)	2 x G9 7W 2700K 1400lm Regulador en cable 220-240V -50/60 Hz
	CLASIFICACIÓN ENERGÉTICA	E

ICONS  IP20    



SOKO

P1335/8

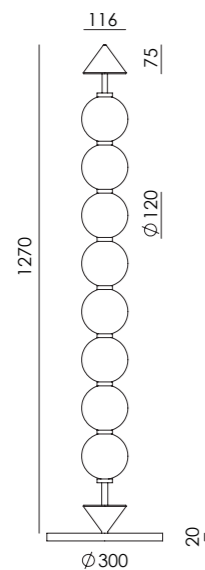


Pepe Fornas
Design 2024

EN	MATERIALS Metal / Marble / Glass	
FINISHES	Metal Matt black Aged gold Shade Opal	Marble Black White
SPECIFICATIONS (UE)	LED strip 24W 2700K 2400lm TRIAC regulable 220-240V 50/60 Hz	
ENERGY LABEL	F	

ES	MATERIALES Metal / Mármol / Vidrio	
ACABADOS	Metal Negro mate Oro envejecido Tulipa Opal	Mármol Negro Blanco
ESPECIFICACIONES (UE)	LED strip 24W 2700K 2400lm TRIAC regulable 220-240V 50/60 Hz	
CLASIFICACIÓN ENERGÉTICA	F	

ICONS



REMS

P1318

JF Sevilla
Design 2023



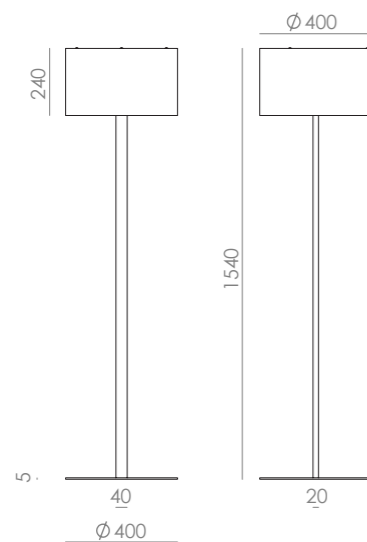
EN

MATERIALS	Linen / Steel / Acrylic	
FINISHES	Metal Matt black	Shade Black leather Orange leather Light brown leather Dark brown leather
SPECIFICATIONS (UE)	Dimmable E27 LED (Included) Dimmer switch on the cable 9W - 2700 K - 720 lm 220-240 - 50/60 Hz	
ENERGY LABEL	E	

ES

MATERIALES	Lino / Metal / Acrílico	
ACABADOS	Metal Negro mate	Pantalla Cuero negro Cuero naranja Cuero marrón claro Cuero marrón oscuro
ESPECIFICACIONES (UE)	E27 LED regulable (Incluida) Regulador en el cable 9W - 2700 K - 720 lm 220-240 - 50/60 Hz	
ETIQUETA ENERGÉTICA	E	

ICONS



OKET

P1317

Pepe Fornas
Design 2023



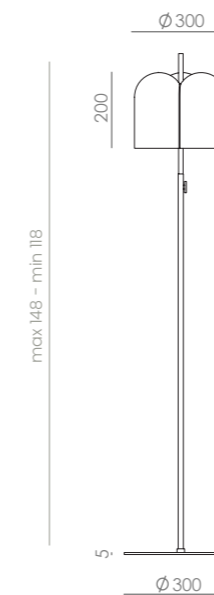
EN

MATERIALS	Metal	
FINISHES	Body and base Matt brass Matt black	Shade Matt white Matt black
SPECIFICATIONS (UE)	LED plate dimmable 10 W - 2700 K - 720 lm 220-240V - 50/60 Hz Telescopic height adjustment Dimmer on cable	
ENERGY LABEL	F	

ES

MATERIALES	Metal	
ACABADOS	Cuerpo Metal oro mate Metal negro mate	Pantalla Blanco mate Negro mate
ESPECIFICACIONES (UE)	Placa LED regulable 10 W - 2700 K - 720 lm 220-240V - 50/60 Hz Ajustador de altura telescópico Regulador en cable	
ETIQUETA ENERGÉTICA	F	

ICONS



NIRO

P1314

JF Sevilla
Design 2023



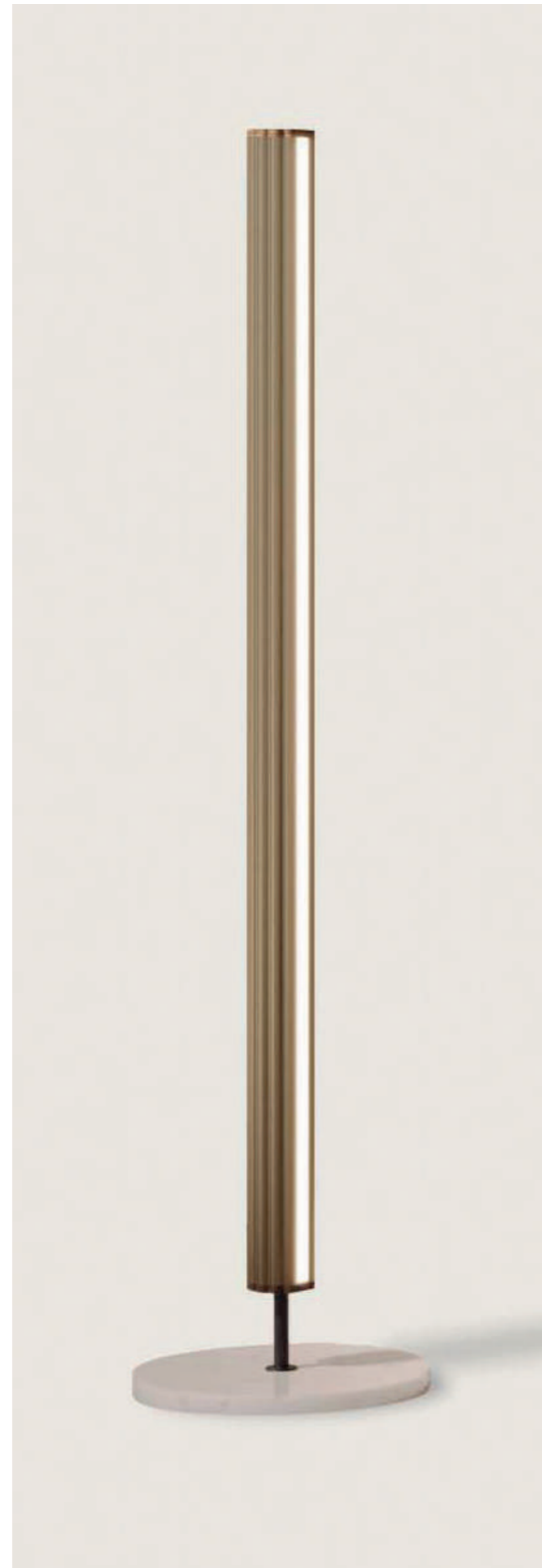
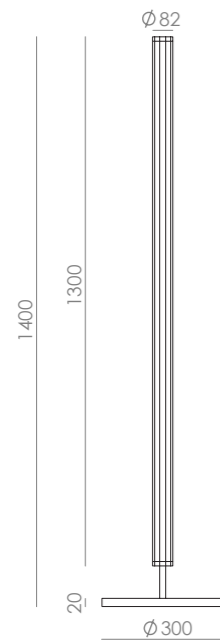
EN

MATERIALS	Aluminium profile / Wood / Acrylic / Marble	
FINISHES	Metal	Wood
	Aged gold Sandy matt black	Walnut
	Marble	Diffuser
	Matt white Matt black	Acrylic
SPECIFICATIONS (UE)	LED strip, Dimmer switch on cable 30 W - 2700 K - 1850 lm, 220-240 V - 50/60 Hz Dimmer foot switch on cable	
ENERGY LABEL	F	

ES

MATERIALES	Perfil de aluminio / Madera / Acrílico / Mármol	
ACABADOS	Metal	Madera
	Oro envejecido Negro mate arenoso	Nogal
	Mármol	Difusor
	Blanco mate Negro mate	Acrílico
ESPECIFICACIONES (UE)	Tira LED, Regulación en el cable 30 W - 2700 K - 1850 lm, 220-240 V - 50/60 Hz Interruptor de regulador en cable	
ETIQUETA ENERGÉTICA	F	

ICONS



ELMA

P1312

Pepe Fornas
Design 2023



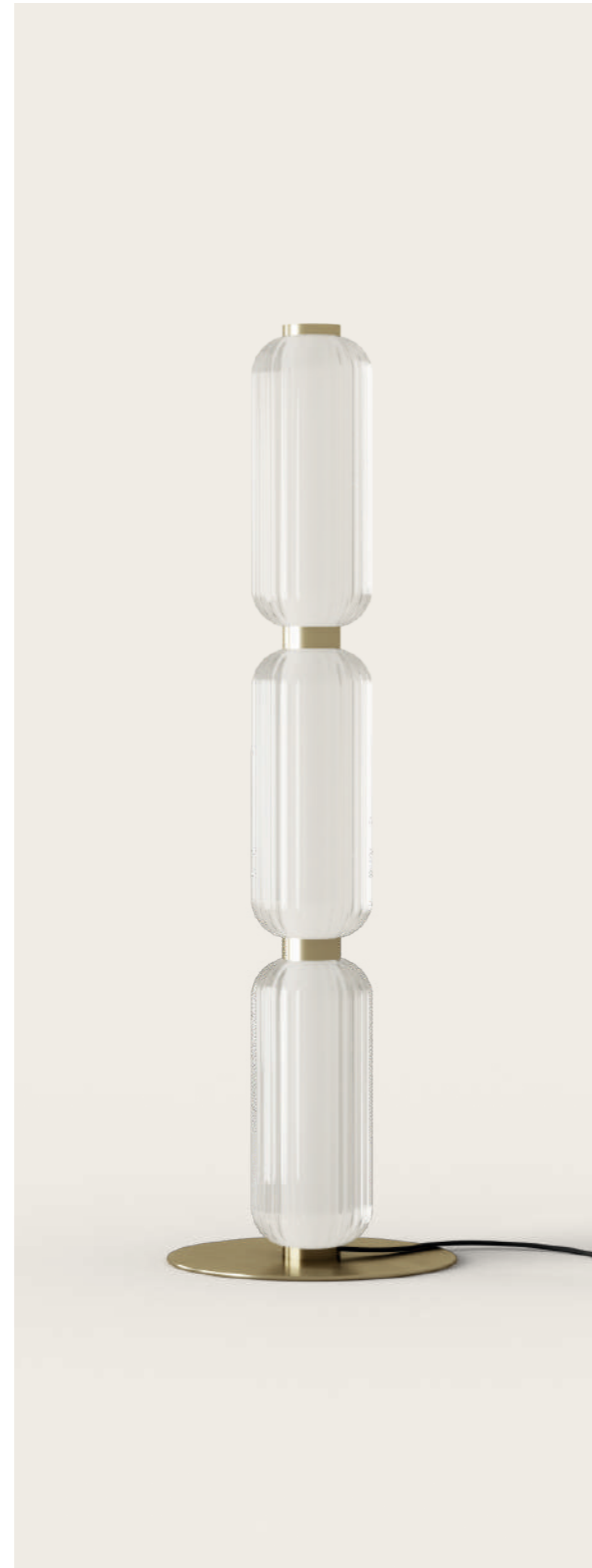
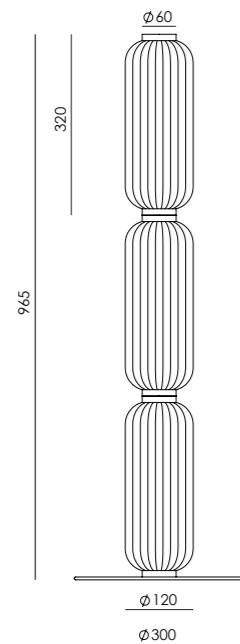
EN

MATERIALS	Metal / Glass / Acrylic		
FINISHES	Metal Matt Black Aged Gold	Glass Striped glass (Transparent)	Acrylic Opal
SPECIFICATIONS (UE)	LED strip 3x9W 2700K TRIAC dimmable 2000lm 24V, 50/60Hz		
ENERGY LABEL	F		

ES

MATERIALES	Metal / Vidrio / Acrílico		
ACABADOS	Metal Negro mate Oro envejecido	Cristal Cristal estriado (Transparente)	Acrílico Opal
ESPECIFICACIONES (UE)	Tira LED 3x9W 2700K TRIAC regulable 2000lm 24V, 50/60 Hz		
ETIQUETA ENERGÉTICA	F		

ICONS





BIG DUSSA

P1307

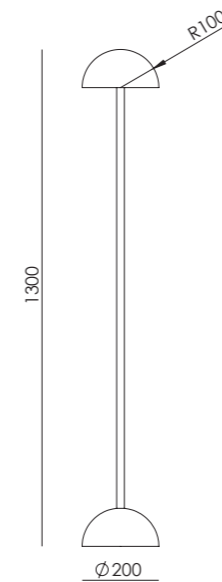
Pepe Fornas
Design 2024



EN	MATERIALS Marble / Metal	
FINISHES	Metal Matt Black Aged gold	Marble Travertine
SPECIFICATIONS (UE)	LED plate 9W 2700K TRIAC dimmable Dimmer Switch on cable 220-240 V, 50/60 Hz 900 lm	
ENERGY LABEL	F	

ES	MATERIALES Mármol / Metal	
ACABADOS	Metal Negro Mate Oro envejecido	Mármol Travertino
ESPECIFICACIONES (UE)	Placa LED 9W 2700K TRIAC regulable regulador en cable 220-240 V, 50/60 Hz 900 lm	
ETIQUETA ENERGÉTICA	F	

ICONS IP20 CE RoHS A++





NOOI

P1276

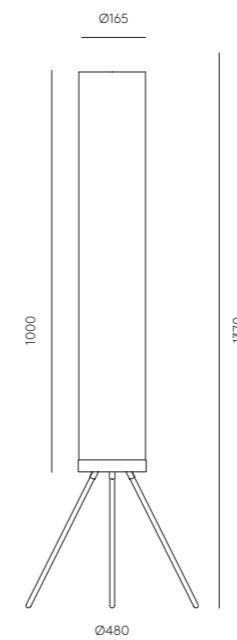
Pepe Fornas
Design 2022



EN	MATERIALS	Linen / Steel / Acrylic
	FINISHES	Cream linen textile shade
		Steel Acrylic Matt black Opal
	SPECIFICATIONS (UE)	T8 14W - 2700K Dimmer on cable 24V-220-240V, 50/60Hz 1260lm
	ENERGY LABEL	E

ES	MATERIALES	Lino / Metal / Acrílico
	ACABADOS	Pantalla textil Lino Crema
		Acero Acrílico Negro mate Opal
	ESPECIFICACIONES (UE)	T8 14W - 2700K Regulador en cable 24V-220-240V, 50/60 Hz 1260lm
	ETIQUETA ENERGÉTICA	E

ICONS



LYB

P1274

Pepe Fornas
Design 2019



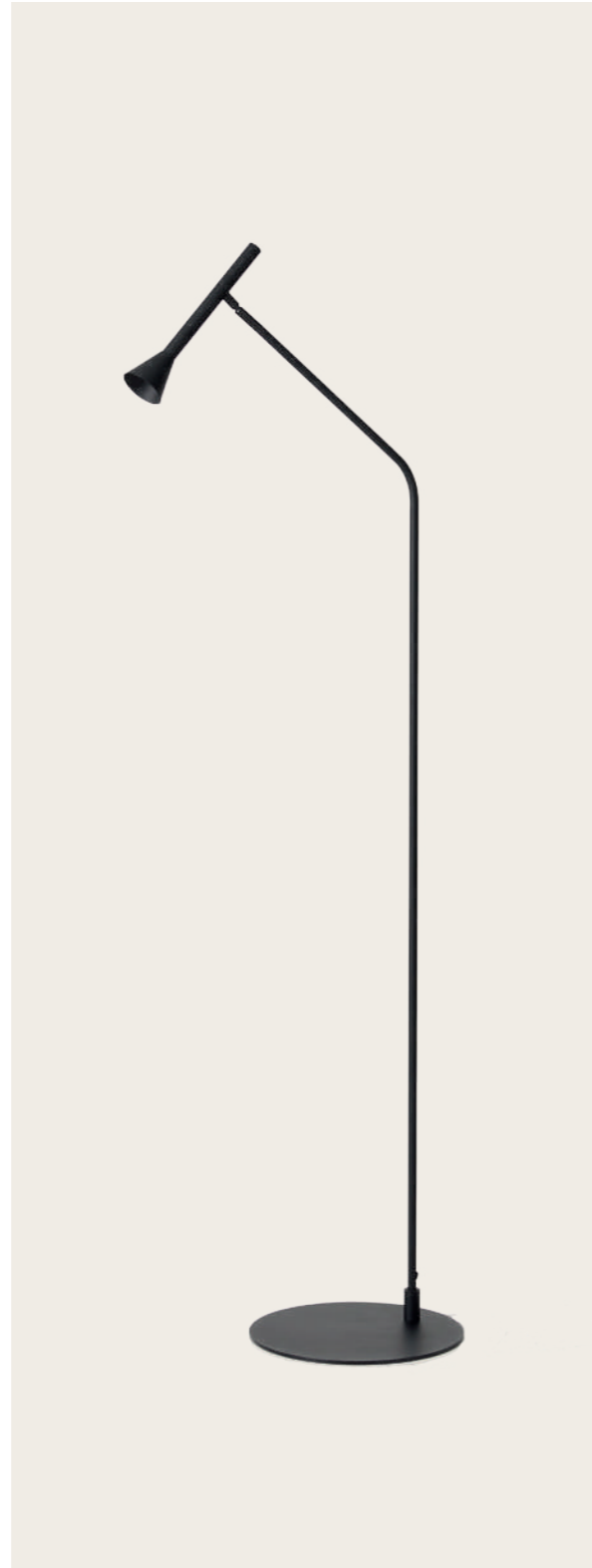
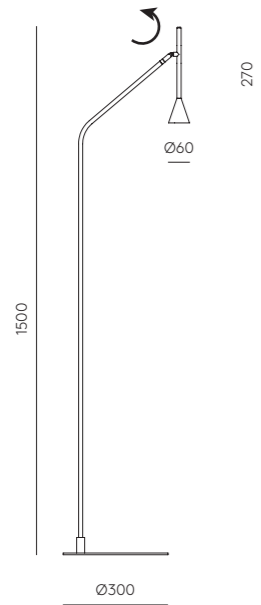
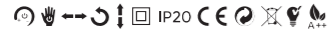
EN

MATERIALS	Steel
FINISHES	Metal Matt black
SPECIFICATIONS (UE)	Chip Led dimmable integrated 5W, 2700K 220-240V/12 V, 50/60 Hz 450lm Dimmer on cable
ENERGY LABEL	F

ES

MATERIALES	Acero
ACABADOS	Metal Negro mate
ESPECIFICACIONES (UE)	Chip Led regulable incluido 5W, 2700K 220-240V/12 V, 50/60 Hz 450lm Regulador en cable
ETIQUETA ENERGÉTICA	F

ICONS



COLN

P1267

AC Studio
Design 2019



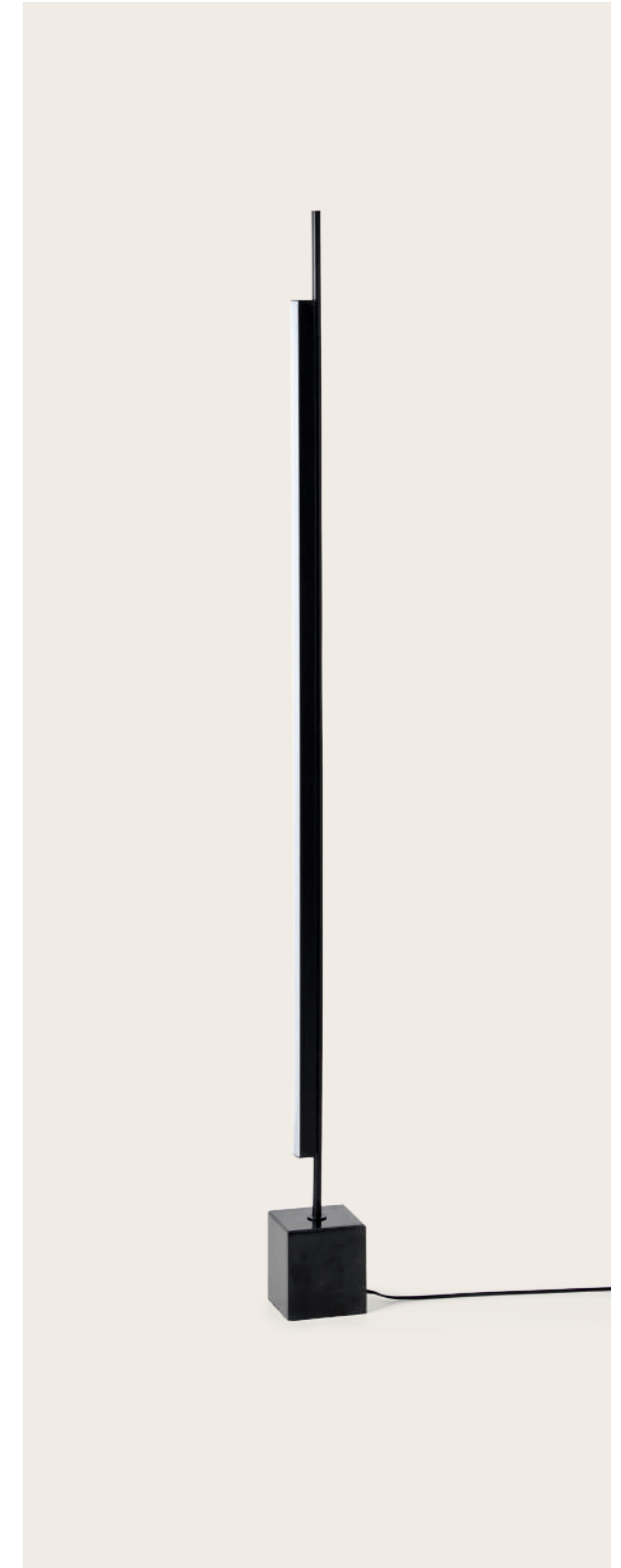
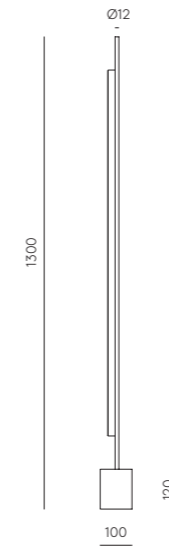
EN

MATERIALS	Steel / Marble	
FINISHES	Metal Matt Black	Marble Black
SPECIFICATIONS (UE)	Strip Led 21W - 2700K 2100lm 220-240V/24 V, 50/60 Hz	
ENERGY LABEL	F	

ES

MATERIALES	Acero / Mármol	
ACABADOS	Metal Negro Mate	Mármol Negro
ESPECIFICACIONES (UE)	Tira Led 21W - 2700K 2100lm 220-240V/24 V, 50/60 Hz	
ETIQUETA ENERGÉTICA	F	

ICONS





HINOO

P1266

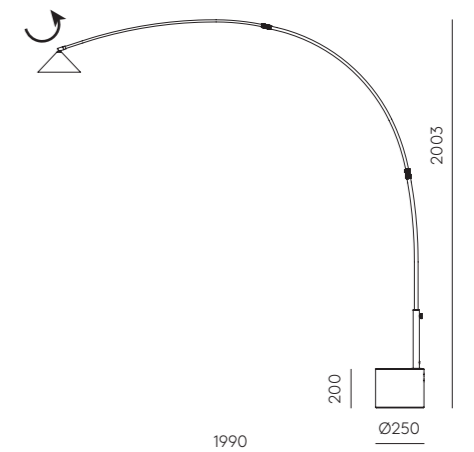


JF Sevilla
Design 2021



EN	MATERIALS Steel / Marble / Acrylic	
	FINISHES	Base
	Matt brass	Black Marble
	Matt black	White Marble
	SPECIFICATIONS (UE) LED Chip 13W 2700K, 1300lm 220-240V/24V, 50/60 Hz Dimmer on cable.	
	ENERGY LABEL F	

ES	MATERIALES Acero / Mármol / Acrílico	
	ACABADOS	Base
	Oro mate	Mármol Negro
	Negro mate	Mármol Blanco
	ESPECIFICACIONES (UE) LED Chip 13W 2700K 1300lm 220-240V/24V, 50/60 Hz Regulador de pie en cable	
	ETIQUETA ENERGÉTICA F	



ICONS

ARTIC

P1256

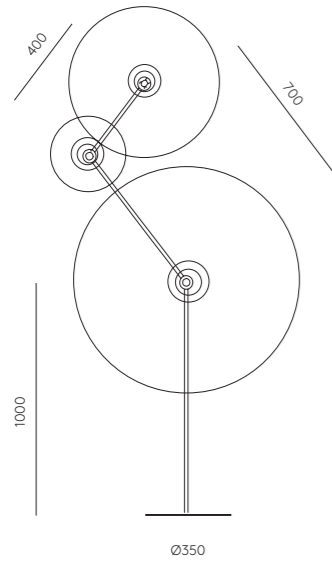
Pepe Fornas
Design 2020



EN		
MATERIALS	Steel	
FINISHES	Metal Matt black	Lampholder Matt brass
ACCESSORIES	Image reference accessory 1135 - 30, 60, 90 cm (Not included)	
SPECIFICATIONS (UE)	3 x E27 (Bulbs not included) 220-240 V, 50/60 Hz	
ENERGY LABEL	E	

ES		
MATERIALES	Acero	
ACABADOS	Metal Negro mate	Portalámparas Oro mate
ACCESORIOS	Accesorio imagen 1135 - 30,60, 90 cm (No incluido)	
ESPECIFICACIONES (UE)	3 x E27 (Bombillas no incluidas) 220-240 V, 50/60 Hz	
ETIQUETA ENERGÉTICA	E	

ICONS



Colour metal:
Mustard / Nude / Green leaf

*Bombilla recomendada B033/COB.
Recommended bulb B033/COB.
Image bulb/ Bombilla de la imagen B033/COB

MAHO

P1254

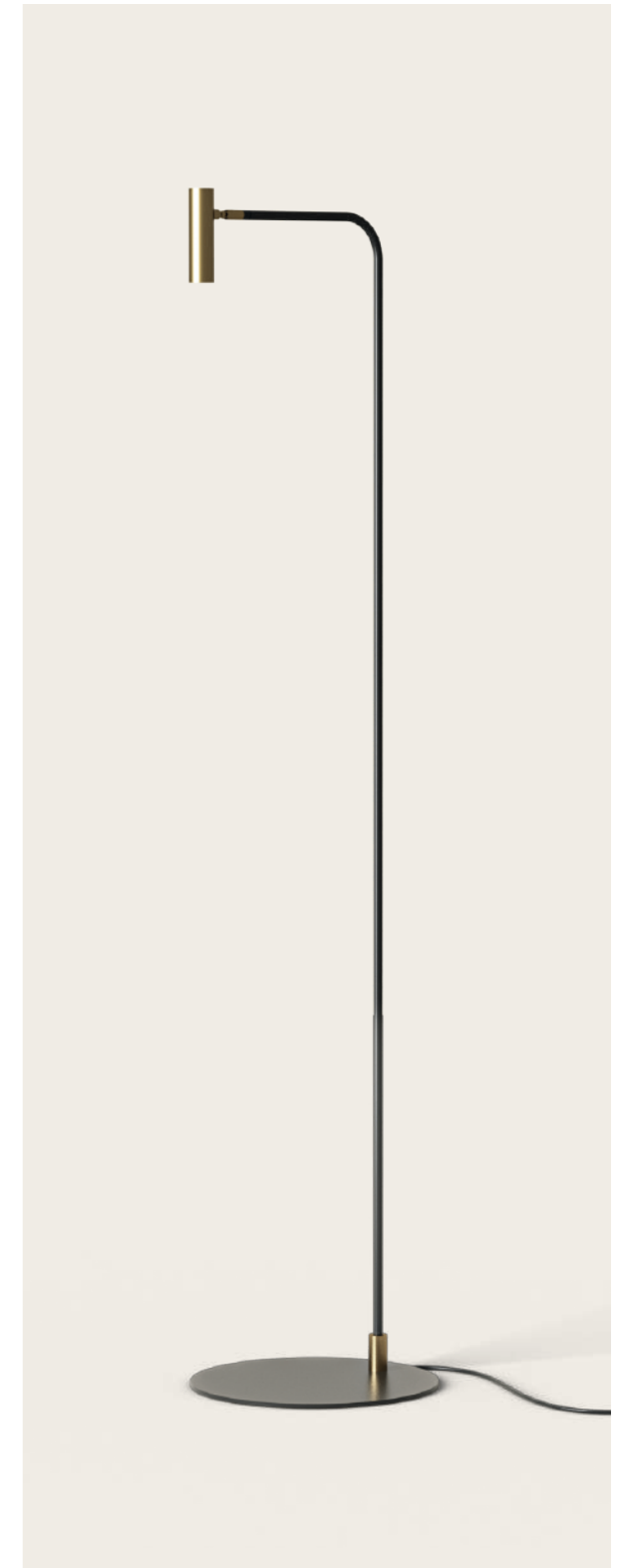
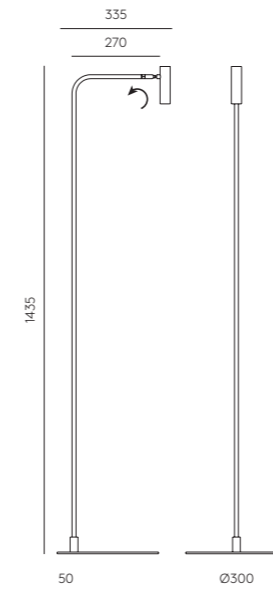
Pepe Fornas
Design 2021



EN		
MATERIALS	Steel	
FINISHES	Body Matt black	Head Matt black Matt gold
SPECIFICATIONS (UE)	Chip LED 5W- 2700K 500lm 220-240V, 50/60 Hz Dimmer on cable	
ENERGY LABEL	F	

ES		
MATERIALES	Acero	
ACABADOS	Cuerpo Negro mate	Cabezal Oro Mate Negro Mate
ESPECIFICACIONES (UE)	Chip LED 5W- 2700K 500lm 220-240V, 50/60 Hz Regulador en cable	
ETIQUETA ENERGÉTICA	F	

ICONS





COT

P1251

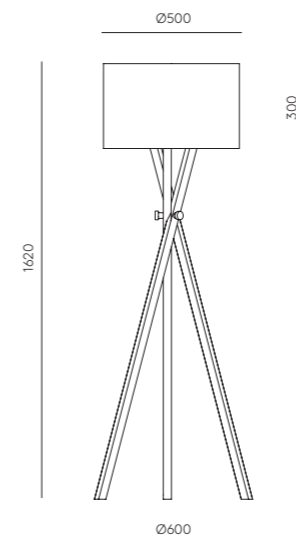
AC Studio
Design 2018



EN	MATERIALS Steel / Walnut Wood / Cotton	
FINISHES	Wood Walnut	Shade Black White
SPECIFICATIONS (UE)	E27 Max. 15W (Not included) 220-240 V, 50/60 Hz	
ENERGY LABEL	E	

ES	MATERIALES Acero / Nogal / Algodón	
ACABADOS	Madera Nogal	Pantalla Negra Blanca
ESPECIFICACIONES (UE)	E27 Max. 15W (No incluida) 220-240 V, 50/60 Hz	
ETIQUETA ENERGÉTICA	E	

ICONS



*Bombillas recomendadas B211 (7, 9W)
Recommended bulb B211 (7, 9W)

PULL

P1249

JF Sevilla
Design 2024



EN MATERIALS

Metal / Linen / Marble

FINISHES	Metal	Metal shade
	Matt black	Matt black Aged gold

Shade	Marble
Linen	Black

SPECIFICATIONS (UE)	Bulb G9 4W 2700K 500lm dimmable, 220-240V, 50/60 Hz
---------------------	--

ENERGY LABEL	E
--------------	---

ES MATERIALES

Metal / Lino / Mármol

ACABADOS	Metal	Pantalla metal
	Negro mate	Negro mate Oro envejecido

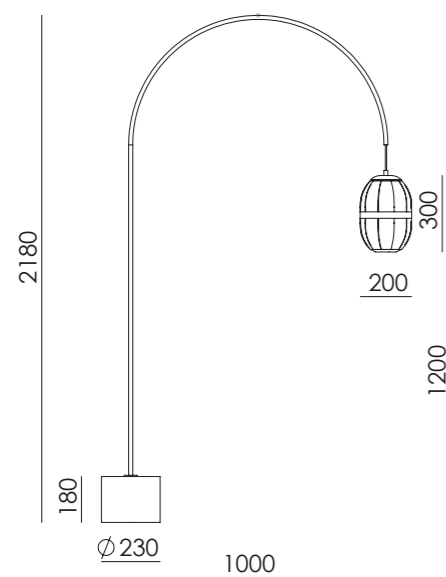
Pantalla	Mármol
Lino	Negro

ESPECIFICACIONES (UE)	Bombilla G9 4W 2700K 500lm regulable 220-240V, 50/60 Hz
-----------------------	--

CLASIFICACIÓN ENERGÉTICA	E
--------------------------	---

ICONS

IP20



FICUS

P1243

JF Sevilla
Design 2017



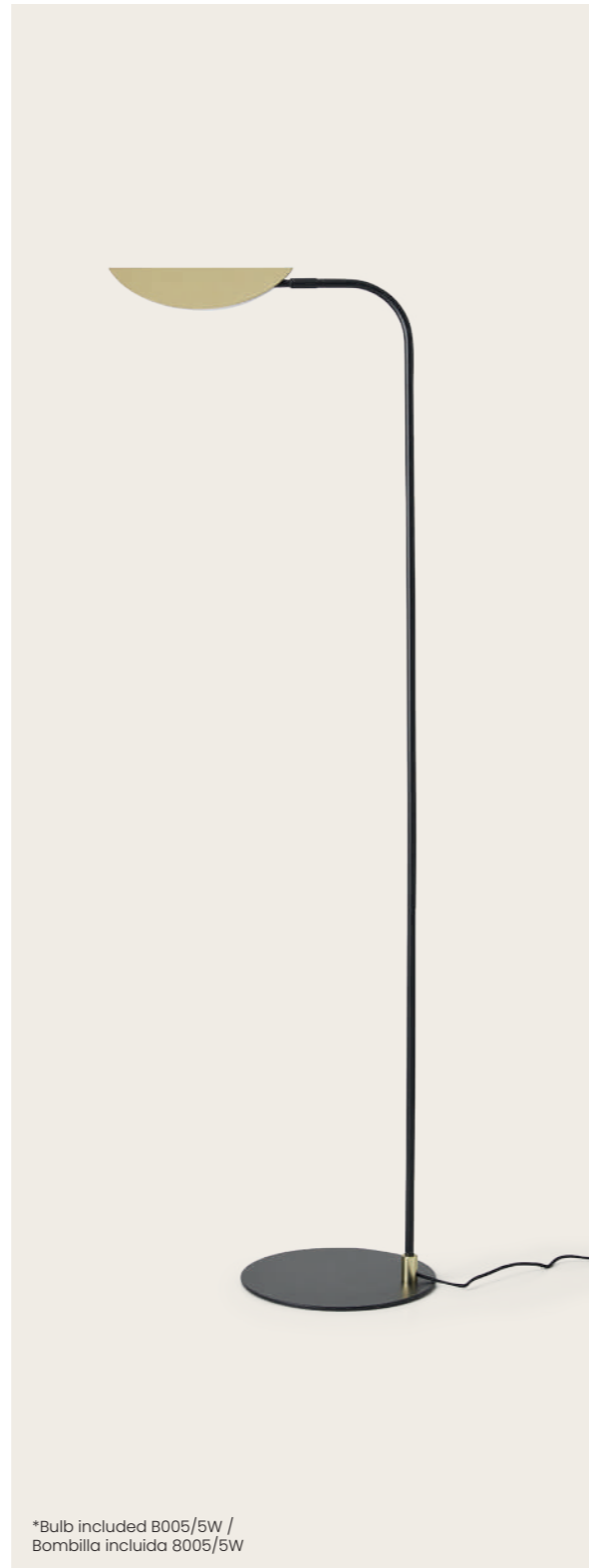
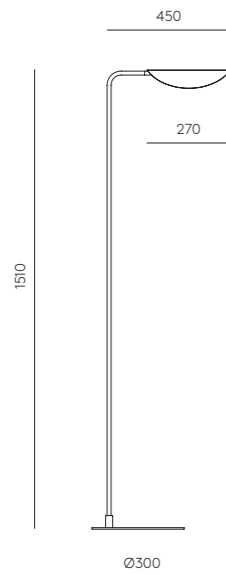
EN

MATERIALS	Steel	
FINISHES	Metal Matt Black	Shade Matt Brass
SPECIFICATIONS (UE)	Bulb G9 (Included) 5W - 2700K 450lm 220-240 V, 50/60 Hz	
ENERGY LABEL	E	

ES

MATERIALES	Acero	
ACABADOS	Metal Negro Mate	Tulipa Oro Mate
ESPECIFICACIONES (UE)	Bombilla G9 (Incluida) 5W - 2700K 450lm 220-240 V, 50/60 Hz	
ETIQUETA ENERGÉTICA	E	

ICONS

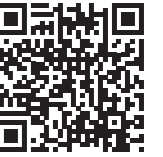


*Bulb included B005/5W /
Bombilla incluida 8005/5W

LUCA

P1237

AC Studio
Design 2017



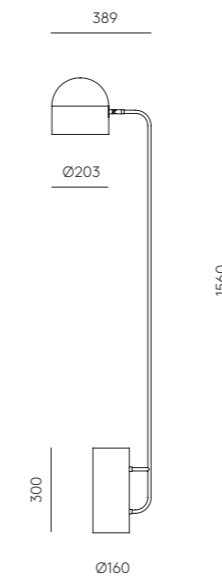
EN

MATERIALS	Steel / Marble	
FINISHES	Metal Matt Black	Marble White
SPECIFICATIONS (UE)	E27 Max. 15W (Not included) 220-240 V, 50/60 Hz	
ENERGY LABEL	E	

ES

MATERIALES	Acero / Mármol	
ACABADOS	Metal Negro Mate	Mármol Blanco
ESPECIFICACIONES (UE)	E27 Max. 15W (No incluida) 220-240 V, 50/60 Hz	
ETIQUETA ENERGÉTICA	E	

ICONS



*Bombillas recomendadas B211 (7, 9W)
Recommended bulb B211 (7, 9W)

MAPI

P1235

Pepe Fornas
Design 2024



EN **MATERIALS** Marble / Aluminium / Glass

FINISHES
Metal Matt black
Glass* See colour palette p.484

Shades Opal
Marble Matt black

SPECIFICATIONS (UE) 3 x LED strip 10W 2700K
TRIAC dimmable
Dimmer Switch on cable
220-240V/24 V, 50/60 Hz 3000 lm

ENERGY LABEL F

ES **MATERIALES** Mármol / Aluminio / Vidrio

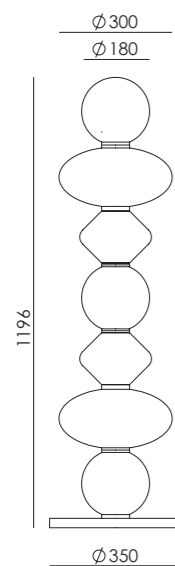
ACABADOS
Metal Negro mate
Vidrio* Consultar paleta de colores p.484

Tulipa Opal
Mármol Negro mate

ESPECIFICACIONES (UE) 3 xTira LED 10W 2700K
TRIAC regulable
regulador en cable
220-240V/24 V, 50/60 Hz 3000 lm

ETIQUETA ENERGÉTICA F

ICONS IP20 CE ENEC A++



Glass colour. Up to down
Cyber, Silver moon, Fresh pasta, Persimon

*Pintado a mano.
Handpainted.



Glass colour. Up to down
Mola green, Ash Grey, Fresh pasta, Terracota

ARIO

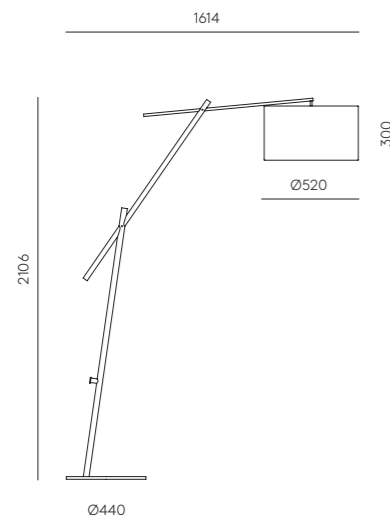
P1234

AC Studio
Design 2017



EN		
MATERIALS	Steel / Cotton Shade	
FINISHES	Metal Matt Black	Shade Black
SPECIFICATIONS (UE)	E27 Max. 15W (Not included) 220-240 V, 50/60 Hz	
ENERGY LABEL	E	

ES		
MATERIALES	Acero / Pantalla Algodón	
ACABADOS	Metal Negro Mate	Pantalla Negra
ESPECIFICACIONES (UE)	E27 Max. 15W (No incluida) 220-240 V, 50/60 Hz	
ETIQUETA ENERGÉTICA	E	



*Bombilla recomendada B211 (7, 9W).
Recommended bulb B211 (7, 9W).

NERA

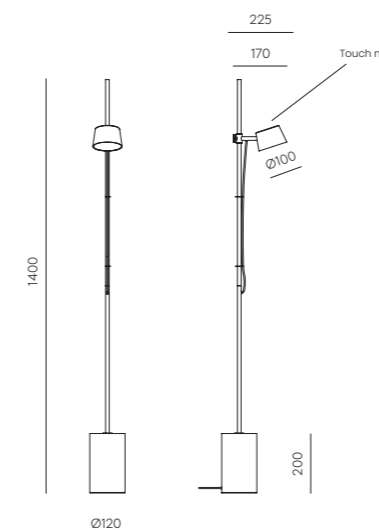
P1229

Pepe Fornas
Design 2020



EN		
MATERIALS	Steel / Wood / Acrylic	
FINISHES	Metal Matt Black	Wood Matt Black
SPECIFICATIONS (UE)	LED COB integrated 8W 3000K 800lm (Included) 220-240 V, 50/60 Hz Touch me - Dimmable	
ENERGY LABEL	F	

ES		
MATERIALES	Acero / Madera / Acrílico	
ACABADOS	Metal Negro Mate	Madera Negro Mate
ESPECIFICACIONES (UE)	COB LED integrado 8W 3000K 800lm (Incluida) 220-240 V, 50/60 Hz Touch me - Regulable	
ETIQUETA ENERGÉTICA	F	





ATOM

P1214

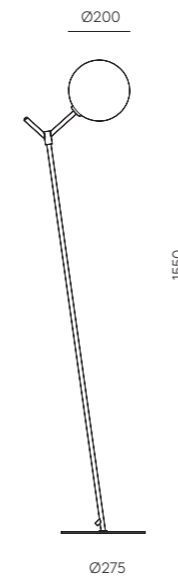


AC Studio
Design 2015

EN		
MATERIALS	Steel / Blown Glass	
FINISHES	Metal	Shade
	Matt brass	Opal
	Matt black	Clear
SPECIFICATIONS (UE)	Bulb G9 (Included) 5W - 2700K 220-240 V, 50/60 Hz 450lm	
ENERGY LABEL	E	

ES		
MATERIALES	Acero / Vidrio Soplado	
ACABADOS	Metal	Portalámparas
	Oro Mate	Opal
	Negro Mate	Transparente
ESPECIFICACIONES (UE)	Bombilla G9 (Incluida) 5W - 2700K 220-240 V, 50/60 Hz 450lm	
ETIQUETA ENERGÉTICA	E	

ICONS

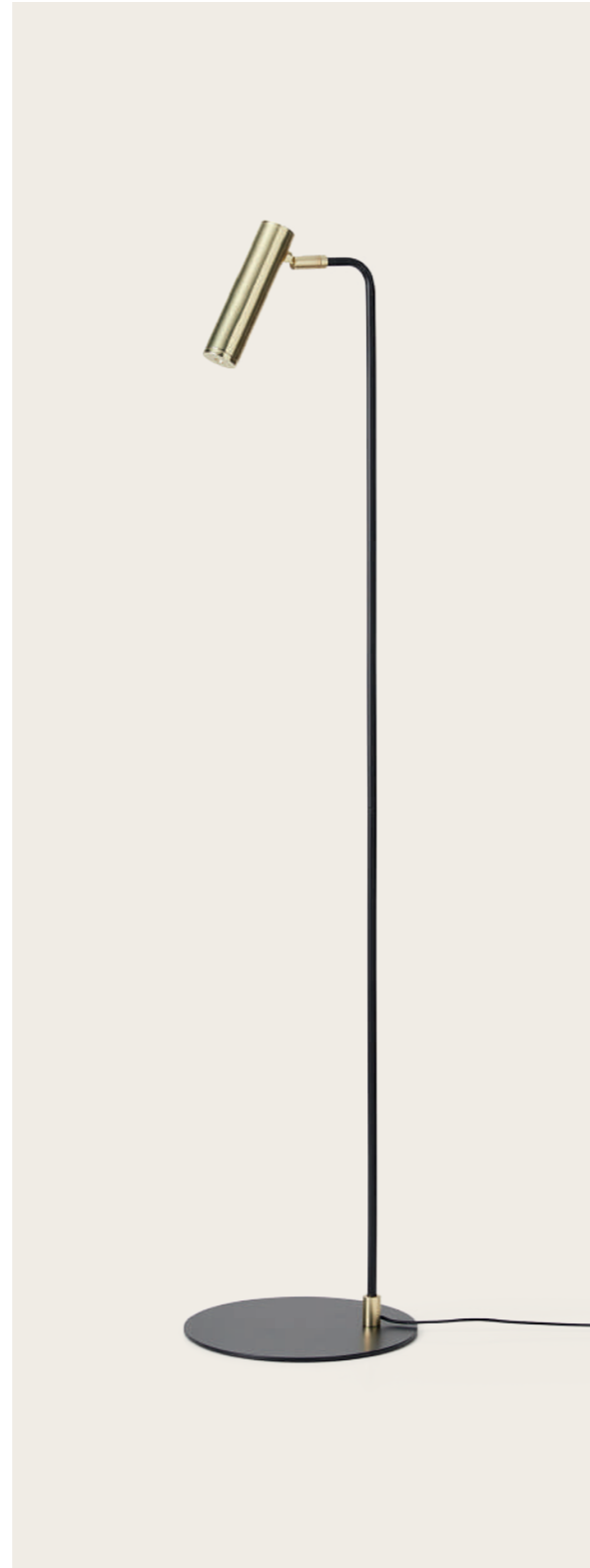


*Bombillas incluidas B005/5W.
Bulbs included B005/5W.

MARU

P1194

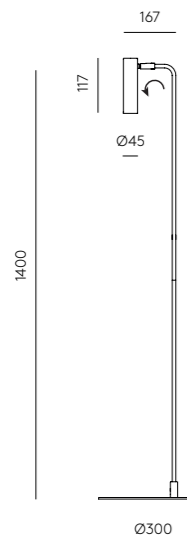
JF Sevilla
Design 2015



EN	MATERIALS	Steel
	FINISHES	Metal Matt Black - Matt Brass Matt Black - Matt Black
	SPECIFICATIONS (UE)	Integrated Chip Led 3W - 3000K 220-240V/24v, 50/60 Hz 300lm
	ENERGY LABEL	F

ES	MATERIALES	Acero
	ACABADOS	Metal Negro Mate - Oro Mate Negro Mate - Negro Mate
	ESPECIFICACIONES (UE)	Chip Led integrado 3W - 3000K 220-240V/24 V, 50/60 Hz 300lm
	ETIQUETA ENERGÉTICA	F

ICONS



DIRA

P1185

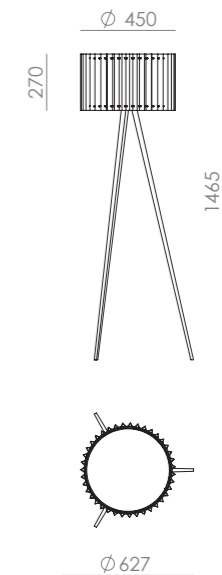
AC Studio
Design 2024



EN	MATERIALS	Steel / Pleated paper
	FINISHES	Metal legs Imitation pine Shade Light linen
	SPECIFICATIONS (UE)	E27 Max. 15W (not included) 220-240 V, 50/60 Hz
	ENERGY LABEL	E

ES	MATERIALES	Acero / Papel plisado
	ACABADOS	Patas metal Imitación pino Pantalla Lino claro
	ESPECIFICACIONES (UE)	E27 Max. 15W (no incluida) 220-240 V, 50/60 Hz
	ETIQUETA ENERGÉTICA	E

ICONS



*Bombillas recomendadas B211 (7, 9W)
Recommended bulb B211 (7, 9W)

HEDRA

P1159

AC Studio
Design 2022



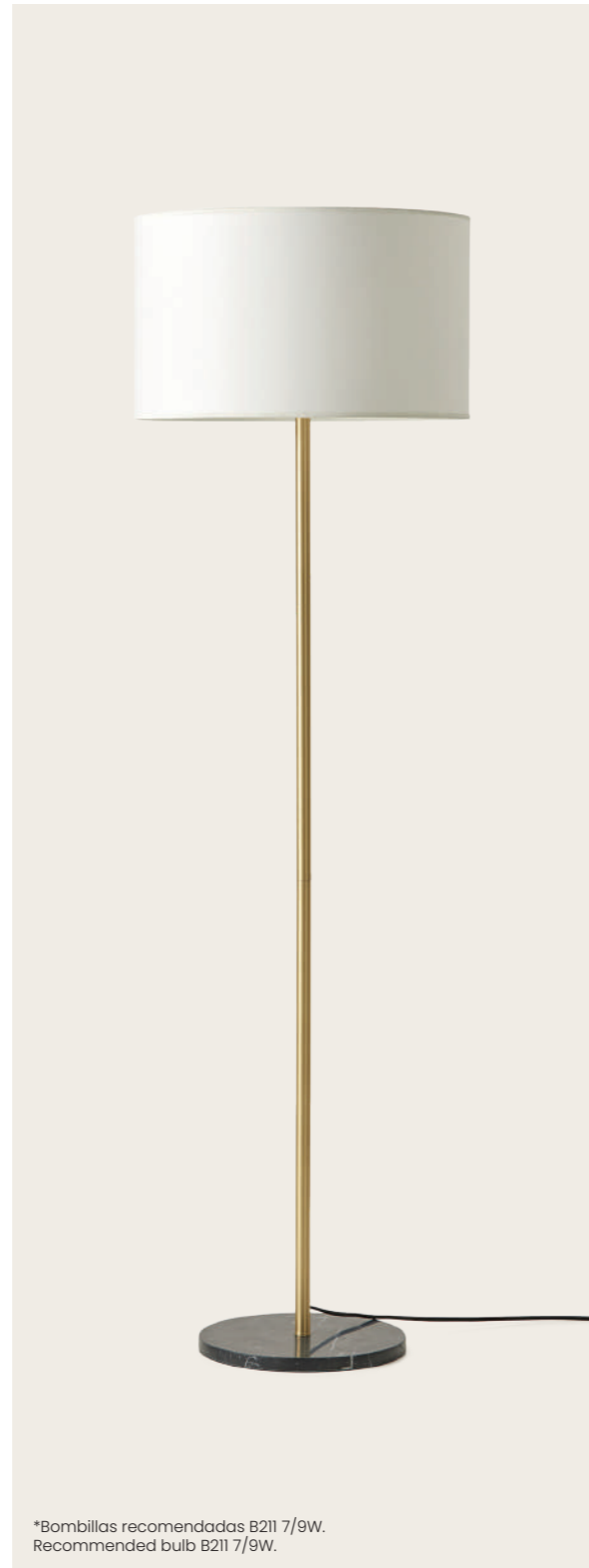
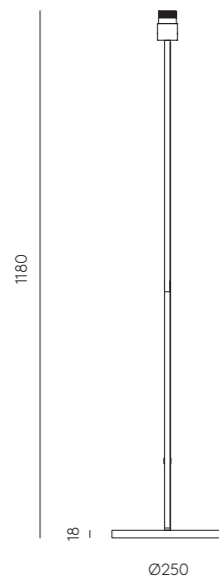
EN

MATERIALS	Steel / Marble		
FINISHES	Metal Matt black Matt brass	Shade (not included) 801011/41	Marble Matt black
SPECIFICATIONS (UE)	E27 LED regulable 9W 2700K (included) 220-240 V/24V, 50/60 Hz 810lm		
ENERGY LABEL	E		

ES

MATERIALES	Acero / Mármol		
ACABADOS	Metal Negro mate Oro mate	Pantalla (no incluida) 801011/41	Mármol Negro mate
ESPECIFICACIONES (UE)	E27 LED regulable 9W 2700K (incluida) 220-240V/24V, 50/60 Hz 810lm		
ETIQUETA ENERGÉTICA	E		

ICONS



*Bombillas recomendadas B211 7/9W.
Recommended bulb B211 7/9W.

ENDO

P1156

Pepe Fornas
Design 2013



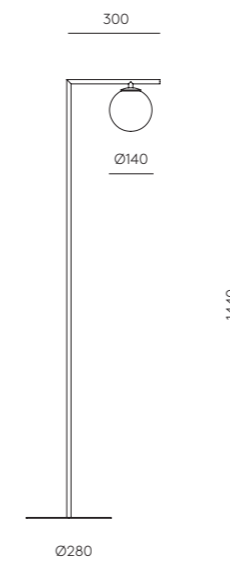
EN

MATERIALS	Steel / Blown Glass	
FINISHES	Metal Matt Brass Chrome	Glass shade (included) Opal
SPECIFICATIONS (UE)	Bulb G9 Led - 5W (included) 2700K 220-240 V, 50/60 Hz 450lm	
ENERGY LABEL	E	

ES

MATERIALES	Acero / Vidrio Soplado	
ACABADOS	Metal Oro Mate Cromo	Cristal (Incluido) Opal
ESPECIFICACIONES (UE)	Bombilla G9 Led - 5W (Incluida) 2700K 220-240 V, 50/60 Hz 450lm	
ETIQUETA ENERGÉTICA	E	

ICONS



*Bombillas incluidas B005/5W.
Bulbs included B048 B005/5W.



TEX

P1026

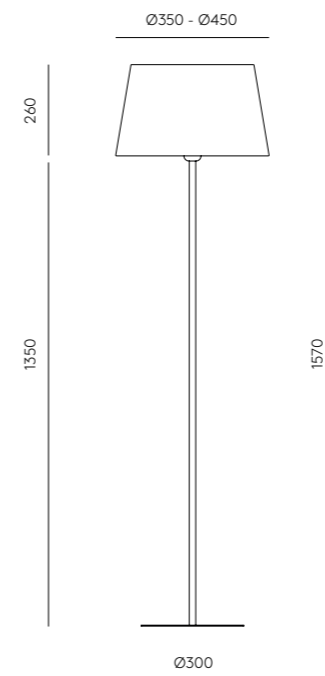


AC Studio
Design 2012

EN	
MATERIALS	Steel
FINISHES	Metal Matt White Matt Black
SPECIFICATIONS (UE)	E27 Max.15W (Not included) 220-240 V, 50/60 Hz
ENERGY LABEL	E

ES	
MATERIALES	Acero
ACABADOS	Metal Blanco Mate Negro Mate
ESPECIFICACIONES (UE)	E27 Max.15W (No incluida) 220-240 V, 50/60 Hz
ETIQUETA ENERGÉTICA	E

ICONS IP20



*Bombillas recomendadas B211 (7, 9W)
Recommended bulb B211 (7, 9W).
* Image shade 151011/40 not included/
Pantalla imagen 151011/40 no incluida

Wall

ABBACUS	A1258	436
ABBY	A1259/6	432
ABBY	A1259/4	434
ABBY	A1259/2	434
ALBA	A1053+1096	476
ALTUN	A1120	464
ANZA	A1336	392
AORA	A1129	464
ARTEN	A1134+1134	462
ATIL	A1281	424
ATOM	A1214	448
BETTY	A1338	388
BIGCOSS	A1203/80	450
BION	A1306	418
CALP	A1168	460
CANNA	A1319	402
CLOCK	A1273	428
CLOCK XL	A1273/120	428
CLOUD	A1345	380
COCO	A1342	386
COSS	A1203/40/ALAB	456
COSS	A1203	454
CROPI	A1100/56/25	466
CUBIC	A1344	376
DALT	A1280	424
DANA	A1098/35	468
DANA	A1098/50	468
DELIE	A1224	446
DELIE-L	A1224/L	446
DOBI	A1207	448
DOUL	A1310	414
DUO	A1170/2	458
DUSSA	A1307	418
ELMA	A1312	412

ERTO	A1257	438
FEST	A1053+1223	474
FLAT	A1135+1135	462
FLEXI LEATHER	A1248	444
FLEXOR	A1151	462
FLOW	A1339	387
GHABAN	A1086 + 1086	470
GINA	A1334	394
GLIC	A1199	452
HABAN	A1053+1088	476
HADA	A1218	446
HINOO	A1266	428
HITA	A1356	374
IPON	A1316	404
IRZO	A1353	368
ISON	A1298	418
KASSY	A1053+1097	474
LADA	A1354	370
LAOS	A1053+1141	472
LARI	A1333	396
LATTO	A1268	426
LIDA	A1357/L	362
LIDA	A1357/S	364
LIDA	A1357/R	366
LOTTO	A1176/1175/1174	458
LUCA	A1237	446
LYB	A1274	426
MAHO	A1254	440
MARU	A1194	456
MIRO	A1289	422
MOON	A1170/2	460
NINO	A1275	426
NIRO	A1314	408
NOLD	A1053+1226	474

NOOI	A1276	422
NUMU	C1343	386
OKET	A1317	406
ONETA	A1299	418
OSION	A1132	464
PIPE	A1293	422
POINT	A1328	400
PULL	A1249	442
RANG	A1093	470
REMS	A1318	404
RITA	A1348/50/70	384
SOKO	A1335/5	394
SOKO	A1335/3	394
SUAL	A1255	440
TAN TAN	A1053+1125	476
TANA	A1309	416
TASTA	A1355/S	372
TEA	A1337	390
TEA	A1337/2	390
TICO	A1095/50	470
TICO	A1095/100	470
TURA	A1313	412
TURA C	A1313/C	410
VASTER	A1092	472
VITREE	A1346	382
WAVE	A1053+1094/30	478
XAGO	A1262	432
YCRO	A1297	422

LIDA

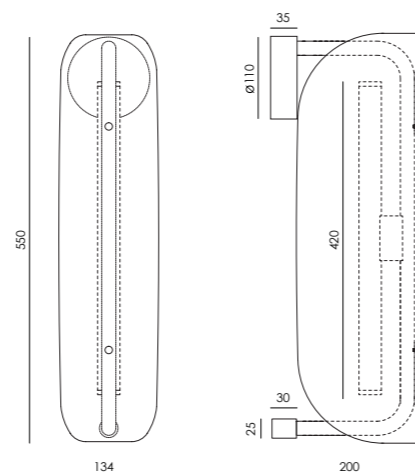
A1357/L

JF Sevilla
Design 2026



EN		
MATERIALS	Metal / Glass	
FINISHES	Metal Matt black Aged gold	Glass Clear
SPECIFICATIONS (UE)	LED Strip 9W 900lm 2700K dimmable 220-240V, 50/60 Hz	
ENERGY LABEL	F	

ES		
MATERIALES	Metal / Cristal	
ACABADOS	Metal Negro mate Oro envejecido	Cristal Transparente
ESPECIFICACIONES (UE)	Tira LED 9W 900lm 2700K regulable 220-240V, 50/60 Hz	
CLASIFICACIÓN ENERGÉTICA	F	



ICONS

IP20





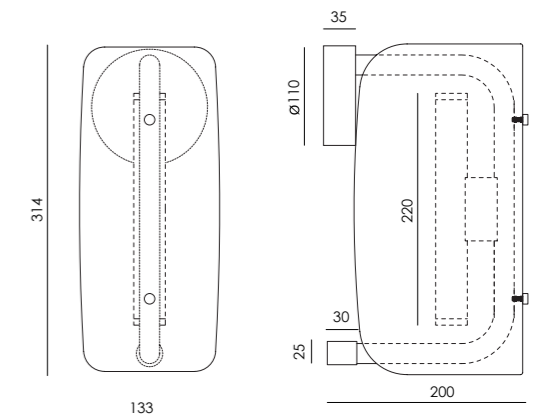
LIDA

A1357/S

JF Sevilla
Design 2026



EN	MATERIALS	Metal / Glass	
	FINISHES	Metal Matt black Aged gold	Glass Clear
	SPECIFICATIONS (UE)	LED Strip 7W 700lm 2700K dimmable 220-240V, 50/60 Hz IP20	
	ENERGY LABEL	F	
ES	MATERIALES	Metal / Cristal	
	ACABADOS	Metal Negro mate Oro envejecido	Cristal Transparente
	ESPECIFICACIONES (UE)	Tira LED 7W 700lm 2700K regulable 220-240V, 50/60 Hz	
	CLASIFICACIÓN ENERGÉTICA	F	



ICONS

IP20 CE E W A



LIDA

A1357/R

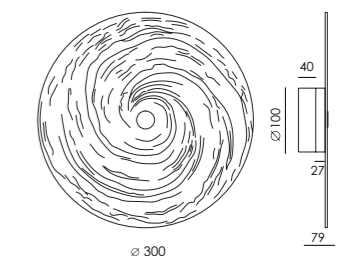
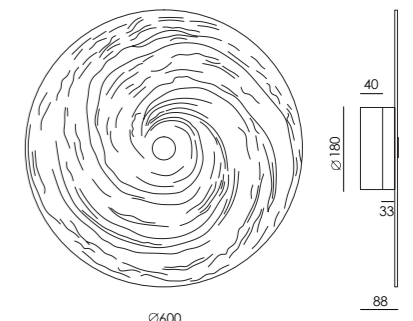
JF Sevilla
Design 2026



EN	MATERIALS		Metal / Glass
	FINISHES	Metal Matt black Aged gold	Glass Clear
	SPECIFICATIONS (UE)	LED 6W 600lm 2700K dimmable 220-240V, 50/60 Hz IP20	
	ENERGY LABEL	F	

ES	MATERIALES		Metal / Cristal
	ACABADOS	Metal Negro mate Oro envejecido	Cristal Trans- parente
	ESPECIFICACIONES (UE)	LED 6W 600lm 2700K regulable 220-240V, 50/60 Hz	
	CLASIFICACIÓN ENERGÉTICA	F	

ICONS IP20 CE E X V ⊕



IRZO

A1353

Pepe Fornas
Design 2026



EN

MATERIALS Metal / Glass

FINISHES Metal: Matt black, Aged gold; Glass: Opal

SPECIFICATIONS (UE) G9 5W 2700K 450lm
220-240V, 50/60 Hz

ENERGY LABEL E

ES

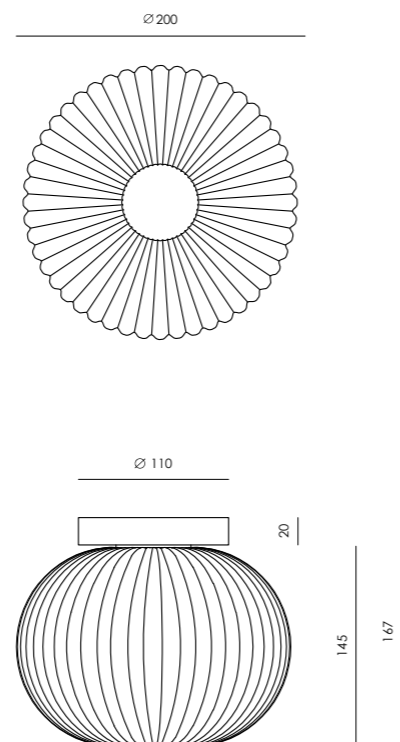
MATERIALES Metal / Cristal

ACABADOS Metal: Negro Mate, Oro Envejecido; Cristal: Opal

ESPECIFICACIONES (UE) G9 5W 2700K 450lm
220-240V, 50/60 Hz

CLASIFICACIÓN ENERGÉTICA E

ICONS



LADA

A1354



Pepe Fornas
Design 2026



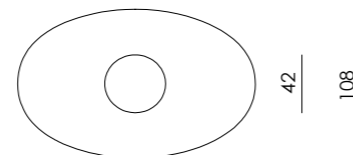
EN

MATERIALS Metal / Porcelain

FINISHES Metal: Matt black, Aged Gold; Ceramics: White

SPECIFICATIONS (UE) E14 5W 2700K dimmable (included) 220-240V, 50/60 Hz

ENERGY LABEL E



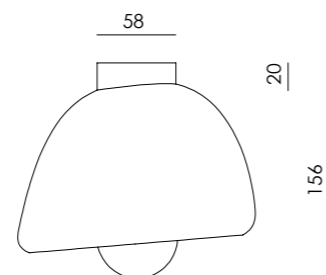
ES

MATERIALES Metal / Porcelana

ACABADOS Metal: Negro Mate, Oro Envejecido; Cerámica: Blanca

ESPECIFICACIONES (UE) E14 5W 2700K regulable 220-240V, 50/60 Hz

CLASIFICACIÓN ENERGÉTICA E



ICONS





TASTA

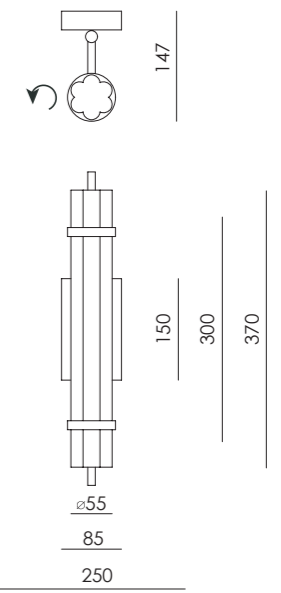
A1355/S

Pepe Fornas
Design 2026



EN	MATERIALS Metal / Marble	
	FINISHES	Marble
	Matt black Aged gold	White Black Green Brown
	SPECIFICATIONS (UE) LED Strip 14W 2700K 1220lm 220-240V, 50/60 Hz	
	ENERGY LABEL F	

ES	MATERIALES Metal / Mármol	
	ACABADOS (COMBINACIONES)	Mármol
	Negro mate Oro envejecido	Blanco Negro Verde Marrón
	ESPECIFICACIONES (UE) Tira LED 14W 2700K 1220lm 220-240V, 50/60 Hz	
	CLASIFICACIÓN ENERGÉTICA F	



ICONS IP20 CE

* Ball joint to orient the light/
Rótula para orientar la luz

HITA

A1356

Beatriz Fornas
Design 2026



EN

MATERIALS Metal / Paper

FINISHES

Combinaciones	Marble	Paper
Metal	Black	Parchment
Matt black	White	Difusser
Aged gold		Opal

SPECIFICATIONS (UE) 2 x G9 5W 2700K 900lm dimmable
220-240V, 50/60 Hz

ENERGY LABEL E

ES

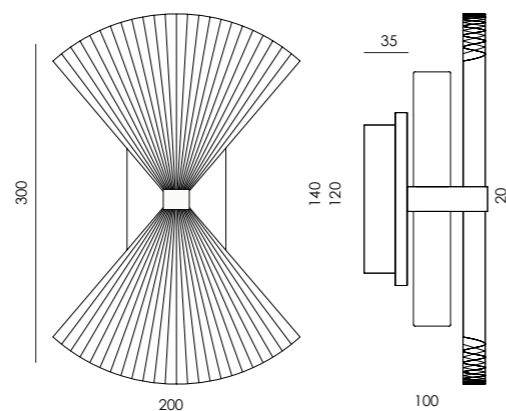
MATERIALES Metal / Papel

ACABADOS

Combinaciones	Mármol	Papel
Metal	Negro	Pergamino
Negro mate	Blanco	Difusor
Oro envejecido		Opal

ESPECIFICACIONES (UE) 2 x G9 5W 2700K 900lm regulable
220-240V, 50/60 Hz

CLASIFICACIÓN ENERGÉTICA E



ICONS

IP20 CE RoHS ENEC





CUBIC

A1344

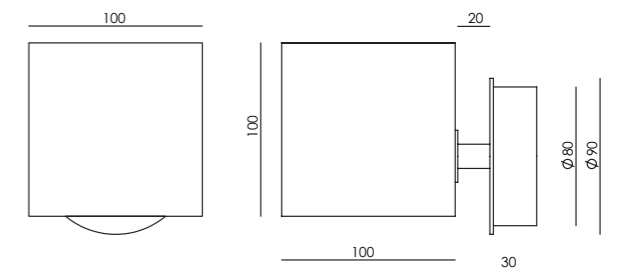


Pepe Fornas
Design 2025



EN	MATERIALS	Metal / Alabaster
	FINISHES	Metal Aged gold Matt black
	SPECIFICATIONS (UE)	G9 5W 450lm 2700K dimmable 220-240V, 50/60 Hz
	ENERGY LABEL	E

ES	MATERIALES	Metal / Alabastro
	ACABADOS	Metal Negro mate Oro envejecido
	ESPECIFICACIONES (UE)	G9 5W 450lm 2700K regulable 220-240V, 50/60 Hz
	CLASIFICACIÓN ENERGÉTICA	E



ICONS

IP20 CE   



Glass colour:
Greenish brown

CLOUD

A1345



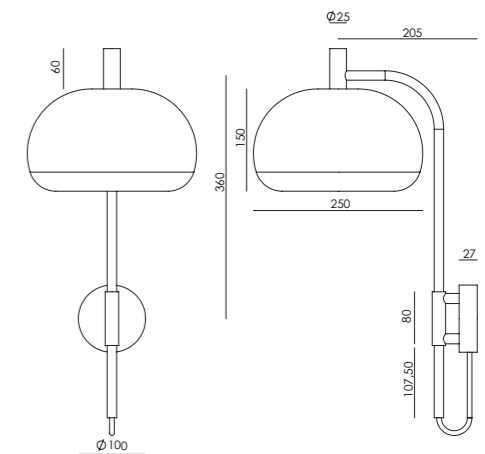
Arnold Salido
Design 2025



Glass colour:
Clear

EN	MATERIALS	Metal / Glass						
	FINISHES	<table border="1"> <tr> <td>Metal</td> <td>Difusser</td> </tr> <tr> <td>Matt black</td> <td>Opal</td> </tr> <tr> <td>Aged gold</td> <td></td> </tr> </table>	Metal	Difusser	Matt black	Opal	Aged gold	
Metal	Difusser							
Matt black	Opal							
Aged gold								
	Shade	Clear (*standard)						
	SPECIFICATIONS (UE)	E27 5W 450lm 2700K dimmable 220-240V, 50/60 Hz						
	ENERGY LABEL	E						
ES	MATERIALES	Metal / Cristal						
	ACABADOS	<table border="1"> <tr> <td>Metal</td> <td>Difusor</td> </tr> <tr> <td>Negro mate</td> <td>Opal</td> </tr> <tr> <td>Oro envejecido</td> <td></td> </tr> </table>	Metal	Difusor	Negro mate	Opal	Oro envejecido	
Metal	Difusor							
Negro mate	Opal							
Oro envejecido								
	Pantalla	Transparente (*standard)						
	ESPECIFICACIONES (UE)	E27 5W 450lm 2700K regulable 220-240V, 50/60 Hz						
	CLASIFICACIÓN ENERGÉTICA	E						

ICONS



*Other smoked finish (Greenish brown / Amber / Grey)
Otros acabados ahumados (Marrón verdoso / Ambar / Gris)

VITREE

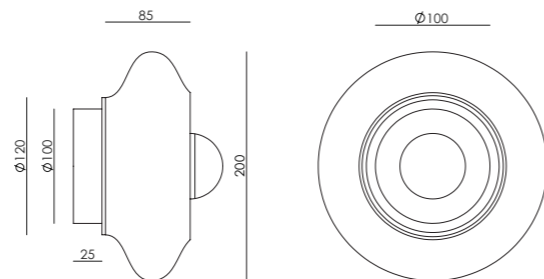
A1346

Pepe Fornas
Design 2025



EN	MATERIALS	Metal / Glass	
	FINISHES	Metal Matt black Aged gold	Glass Clear
	SPECIFICATIONS (UE)	E27 5W 450lm 2700K dimmable 220-240V, 50/60 Hz	
	RECOMMENDED BULB	B038/ORO	
	ENERGY LABEL	E	

ES	MATERIALES	Metal / Cristal	
	ACABADOS	Metal Negro mate Oro envejecido	Cristal Transparente
	ESPECIFICACIONES (UE)	E27 5W 450lm 2700K regulable 220-240V, 50/60 Hz	
	BOMBILLA RECOMENDADA	B038/ORO	
	CLASIFICACIÓN ENERGÉTICA	E	



ICONS

IP20 CE

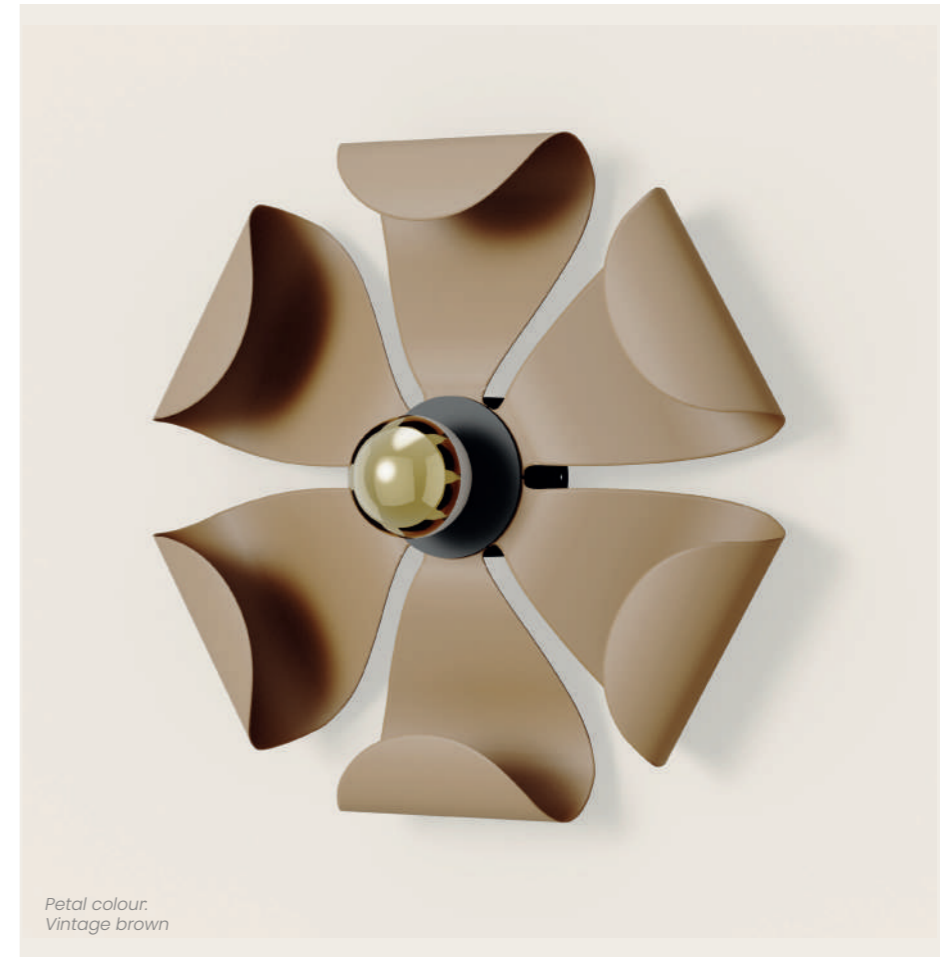




RITA

A1348/50/70

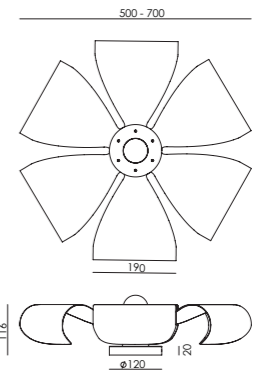
Nacho Timón
Design 2025



Petal colour:
Vintage brown

EN			
MATERIALS	Metal		
FINISHES	Petal	Disc	Sizes
	White	Matt brass	ø50
	Black	Chrome	ø70cm
	Vintage brown	Shiny gold	
	Silhouette	Matt white	
	Green Tea	Matt black	
		Vintage brown	
		Silhouette	
		Green Tea	
SPECIFICATIONS (UE)	E27 Max 15W 2700K 220-240V -50/60 Hz		
ENERGY LABEL	E		
ES			
MATERIALES	Metal		
ACABADOS	Pétalo	Disco	Tamaños
	Blanco	Oro mate	ø50
	Negro	Cromo	ø70 cm
	Verde Té	Oro brillo	
	Marron vintage	Blanco mate	
	Silhouette	Negro mate	
		Silhouette	
		Verde Té	
		Marrón vintage	
ESPECIFICACIONES (UE)	E27 Max 15W 2700K 220-240V -50/60 Hz		
CLASIFICACIÓN ENERGÉTICA	E		
ICONS			
IP20 CE			

BULB



Two placement options: petals facing outward or facing inward.



COCO

A1342



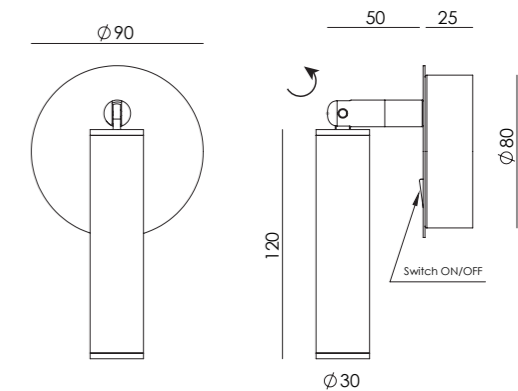
Leather colour:
Dark brown

AC Studio
Design 2024



EN	MATERIALS Metal / Braided leather	
	FINISHES	Leather
	Matt black Aged gold	Black Dark Brown Grey Taupe
	SPECIFICATIONS (UE) LED chip 3W 2700K 450lm 220-240V -50/60 Hz	
	ENERGY LABEL F	

ES	MATERIALES Metal / Cuero trenzado	
	ACABADOS	Cuero
	Negro mate Oro envejecido	Negro Marrón Oscuro Gris Topo
	ESPECIFICACIONES (UE) Chip LED 3W 2700K 300lm 220-240V -50/60 Hz	
	CLASIFICACIÓN ENERGÉTICA F	



ICONS IP20 CE X V A++

NUMU

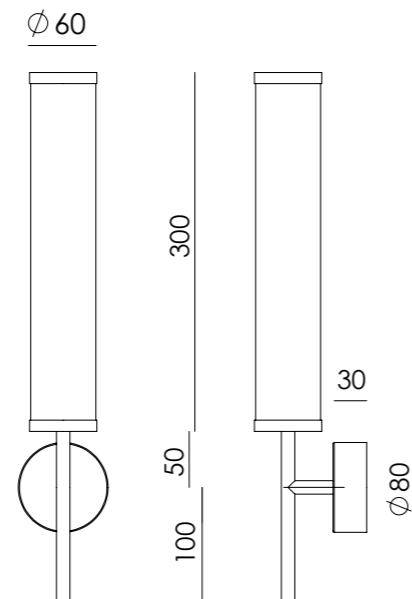
A1343



AC Studio
Design 2025

EN	MATERIALS	Metal / Glass
	FINISHES	Metal Chrome Glass Opal
	SPECIFICATIONS (UE)	LED strip 10W 2700K dimnable 220-240V ·50/60 Hz
	ENERGY LABEL	F

ES	MATERIALES	Metal / Cristal
	ACABADOS	Metal Cromo Cristal Opal
	ESPECIFICACIONES (UE)	Tira LED 10W 2700K Regulable 220-240V ·50/60 Hz
	CLASIFICACIÓN ENERGÉTICA	F



ICONS



FLOW

A1339

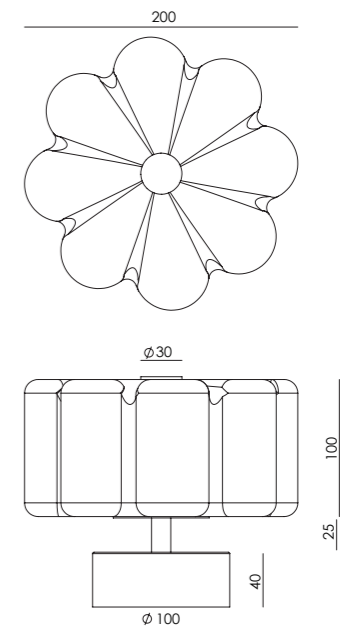


Pepe Fornas
Design 2024

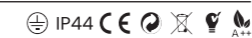


EN	MATERIALS	Metal / Glass
	FINISHES	Metal Matt black Aged gold Glass Opal
	SPECIFICATIONS (UE)	G9 7W 2700K 700lm TRIAC dimnable 220-240V ·50/60 Hz
	ENERGY LABEL	E

ES	MATERIALES	Metal / Cristal
	ACABADOS	Metal Negro mate Oro envejecido Cristal Opal
	ESPECIFICACIONES (UE)	G9 7W 2700K 700lm TRIAC Regulable 220-240V ·50/60 Hz
	CLASIFICACIÓN ENERGÉTICA	E



ICONS





Colour glass:
Clear

BETTY

A1338



AC Studio
Design 2024

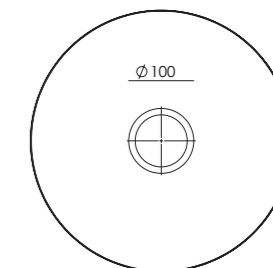
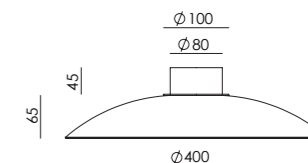


Colour glass:
Blue

EN	MATERIALS Metal / Glass	
	FINISHES	Glass
	Metal Matt black Aged gold	Clear (standard)*
	SPECIFICATIONS (UE) LED plate 10W 2700K 1000lm TRIAC dimmable 220-240V -50/60 Hz	
	ENERGY LABEL F	

ES	MATERIALES Metal / Cristal	
	ACABADOS	Cristal
	Metal Negro mate Oro envejecido	Transparente (standard)*
	ESPECIFICACIONES (UE) Placa LED 10W 2700K 1000lm TRIAC Regulable 220-240V -50/60 Hz	
	CLASIFICACIÓN ENERGÉTICA F	

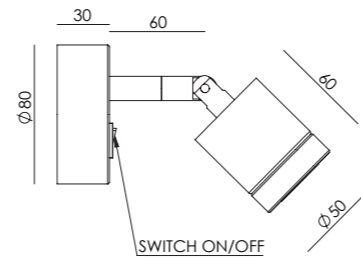
ICONS



*Other smoked finish (Ambar / Greenish Brown / Grey / Blue)
Otros acabados ahumados (Ambar / Marrón verdoso / Gris / Azul)

TEA

A1337



AC Studio
Design 2025

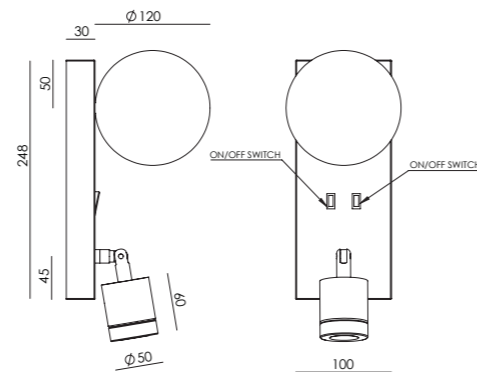
EN	MATERIALS Metal / Marble / Glass	
FINISHES	Combinations	
	Metal	Marble
	Matt black	Black
	Aged gold	White
	Metallic grey	Brown
SPECIFICATIONS (UE)	LED CREE 3W 2700K 300lm 220-240V -50/60 Hz-IP20	
ENERGY LABEL	F	

ICONS



TEA

A1337/2



AC Studio
Design 2024

EN	MATERIALS Metal / Marble / Glass	
FINISHES	Combinations	
	Metal	Marble
	Matt black	Black
	Aged gold	White
	Metallic grey	Brown
SPECIFICATIONS (UE)	LED CREE 3W 2700K 300lm + G9 5W 2700K 450lm 220-240V -50/60 Hz	
ENERGY LABEL	F	

ICONS





ANZA

A1336

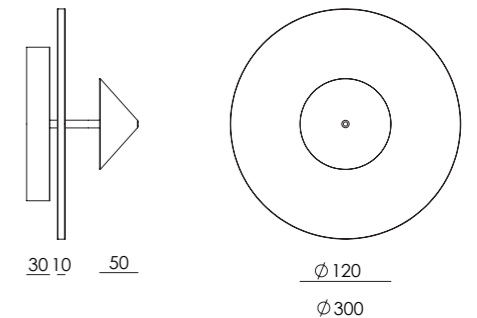


Pepe Fornas
Design 2024



EN	MATERIALS Metal / Marble / Alabaster											
	FINISHES	<table border="0"> <tr> <td>Mármol</td> <td>Marble</td> </tr> <tr> <td>Matt black</td> <td>Black</td> </tr> <tr> <td>Disc</td> <td>White</td> </tr> <tr> <td>Alabaster</td> <td>Green</td> </tr> <tr> <td></td> <td>Brown</td> </tr> </table>	Mármol	Marble	Matt black	Black	Disc	White	Alabaster	Green		Brown
Mármol	Marble											
Matt black	Black											
Disc	White											
Alabaster	Green											
	Brown											
	SPECIFICATIONS (UE)	LED plate 9W 2700K 900lm dimmable 220-240V -50/60 Hz										
	ENERGY LABEL	F										

ES	MATERIALES Metal / Mármol / Alabastro											
	ACABADOS	<table border="0"> <tr> <td>Metal</td> <td>Mármol</td> </tr> <tr> <td>Negro mate</td> <td>Negro</td> </tr> <tr> <td>Disco</td> <td>Blanco</td> </tr> <tr> <td>Alabastro</td> <td>Verde</td> </tr> <tr> <td></td> <td>Marrón</td> </tr> </table>	Metal	Mármol	Negro mate	Negro	Disco	Blanco	Alabastro	Verde		Marrón
Metal	Mármol											
Negro mate	Negro											
Disco	Blanco											
Alabastro	Verde											
	Marrón											
	ESPECIFICACIONES (UE)	Placa LED 9W 2700K 900lm regulable 220-240V -50/60 Hz										
	CLASIFICACIÓN ENERGÉTICA	F										

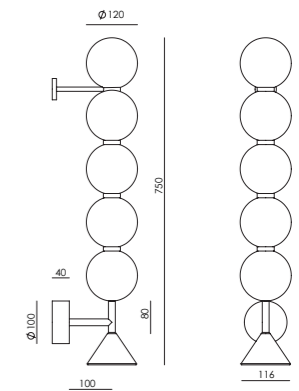


ICONS	
--------------	--



SOKO

A1335/5



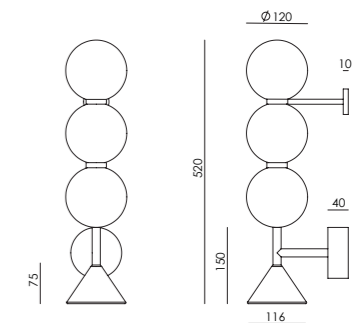
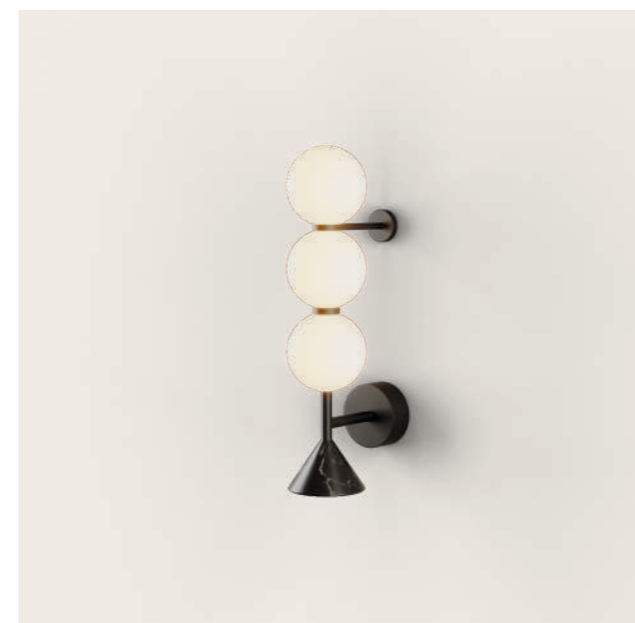
Pepe Fornas
Design 2024

MATERIALS	Metal / Marble / Glass	
FINISHES	Metal Matt black Aged gold Shade Opal	Marble Black White
SPECIFICATIONS (UE)	LED Strip 16W 2700K 1500lm TRIAC dimmable 220-240V -50/60 Hz	
ENERGY LABEL	F	

ICONS IP20 CE RoHS V A++

SOKO

A1335/3



Pepe Fornas
Design 2024

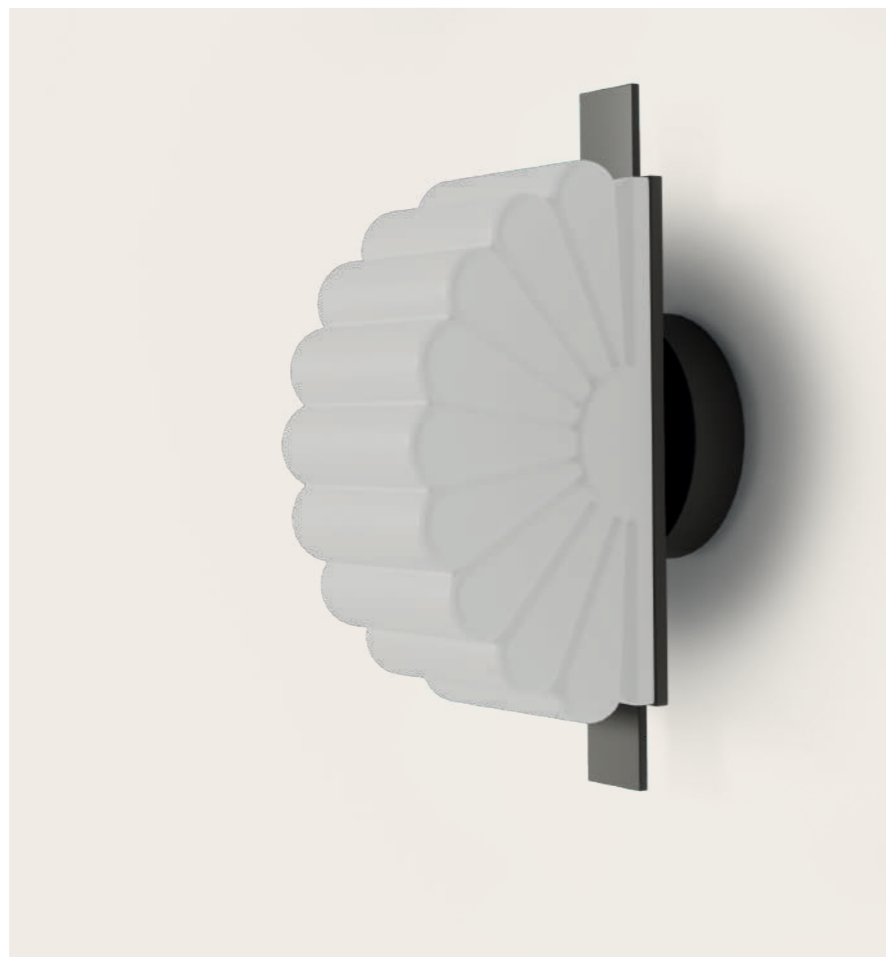
MATERIALS	Metal / Marble / Glass	
FINISHES	Metal Matt black Aged gold Shade Opal	Marble Black White
SPECIFICATIONS (UE)	LED Strip 10W 2700K 900lm TRIAC dimmable 220-240V -50/60 Hz	
ENERGY LABEL	F	

ICONS IP20 CE RoHS V A++

GINA

A1334

Pepe Fornas
Design 2024

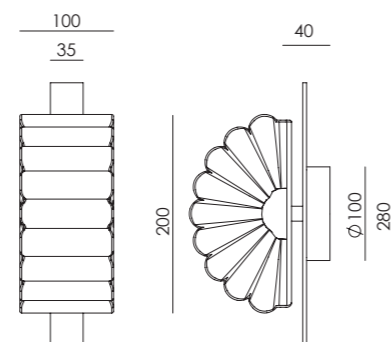


EN

MATERIALS	Metal Acrylic	
FINISHES	Metal Matt Black Aged Gold	Glass Opal Glass
SPECIFICATIONS (UE)	Bulb G9 5W 450lm 2700K dimmable 220-240 V, 50/60 Hz	
ENERGY LABEL	E	

ES

MATERIALES	Metal Cristal	
ACABADOS	Metal Negro mate Oro envejecido	Cristal Opal
ESPECIFICACIONES (UE)	Bombilla G9 5W 450lm 2700K regulable 220-240 V, 50/60 Hz	
CLASIFICACIÓN ENERGÉTICA	E	



ICONS



LARI

A1333

Pepe Fornas
Design 2024



EN **MATERIALS** Metal / Acrylic / Glass / Leather

FINISHES	Metal	Leather
	Matt Black	Cyber
	Glass	Dark brown
	Clear striped	Taupe
	Orange	
	Aged gold	

SPECIFICATIONS (UE) LED strip 9W 900lm
2700K dimmable TRIAC
24V-220-240 V, 50/60 Hz

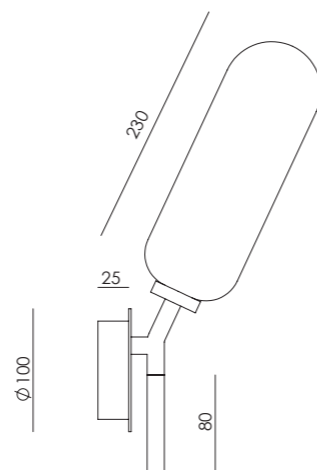
ENERGY LABEL F

ES **MATERIALES** Metal / Cristal / Acrílico / Cuero

ACABADOS	Metal	Cuero
	Negro mate	Cyber
	Cristal	Marrón oscuro
	Transparente estriado	Topo Naranja Oro Envejecido

ESPECIFICACIONES (UE) Tira de LED 9W 900lm
2700K TRIAC regulable
24V-220-240 V, 50/60 Hz

CLASIFICACIÓN ENERGÉTICA F



ICONS



POINT

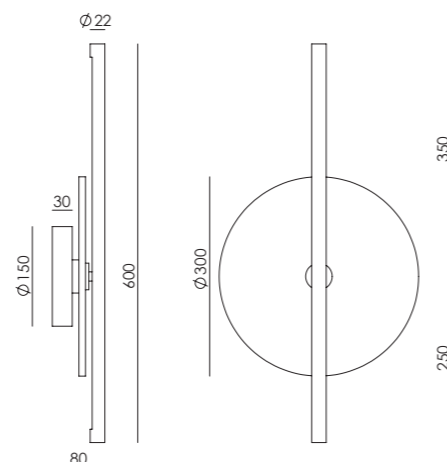
A1328

AC Studio
Design 2024



EN	MATERIALS	Metal Alabaster	
	FINISHES	Metal Matt black Aged gold	Disc Alabaster Black marble White marble
	SPECIFICATIONS (UE)	LED strip 16W 1500lm 2700K dimmable 220-240 V, 50/60 Hz	
	ENERGY LABEL	F	

ES	MATERIALES	Metal Alabastro	
	ACABADOS	Metal Negro mate Oro envejecido	Disco Alabastro Mármol negro Mármol blanco
	ESPECIFICACIONES (UE)	Tira de LED 16W 1500lm 2700K regulable 220-240 V, 50/60 Hz	
	CLASIFICACIÓN ENERGÉTICA	F	



ICONS



CANNA

A1319

Agus Gascón
Design 2023



EN

MATERIALS Metal
Opal glass

FINISHES **Metal**
Aged gold
Textured matt black
Glass
Opal

SPECIFICATIONS (UE) LED strip dimmable
TRIAC dimmer driver
10W - 2700 K - 750 lm
220-240 - 50/60 Hz

ENERGY LABEL F

ES

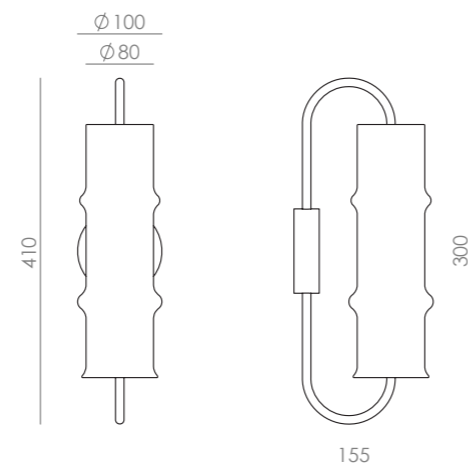
MATERIALES Metal
Vidrio opal

ACABADOS **Metal**
Oro envejecido
Negro mate texturizado
Vidrio
Opal

ESPECIFICACIONES (UE) Tira LED regulable
Driver regulador TRIAC
10W - 2700 K - 750 lm
220-240 - 50/60 Hz

CLASIFICACIÓN ENERGÉTICA F

ICONS





REMS

A1318



JF Sevilla
Design 2023



EN	MATERIALS	Metal / Acrylic / Leather
-----------	------------------	---------------------------

FINISHES	Metal	Shade
	Matt black	Black leather Orange leather Light brown leather Dark brown leather Light linen

SPECIFICATIONS (UE)	Dimmable E27 LED (included) 9W - 2700K - 720 lm 220-240 - 50/60 Hz
----------------------------	--

ENERGY LABEL	E
---------------------	---

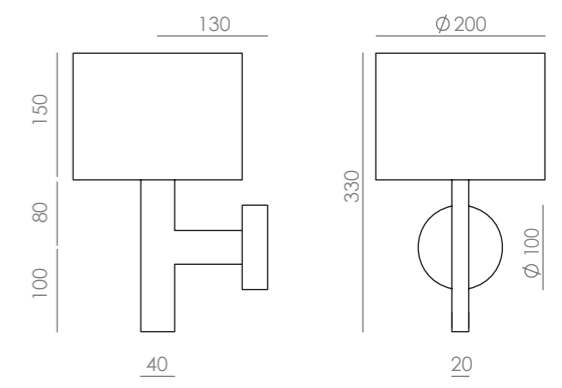
ES	MATERIALS	Metal / Acrílico / Cuero
-----------	------------------	--------------------------

FINISHES	Metal	Pantalla
	Negro mate	Cuero negro Cuero naranja Cuero marrón claro Cuero marrón oscuro Lino claro

SPECIFICATIONS (UE)	E27 LED regulable (Incluida) 9 W - 2700 K - 720 lm 220-240 - 50/60 Hz
----------------------------	---

CLASIFICACIÓN ENERGÉTICA	E
---------------------------------	---

ICONS



OKET

A1317

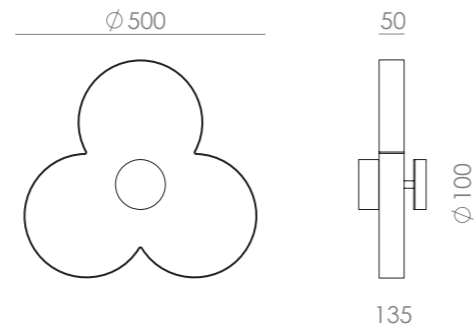


Pepe Fornas
Design 2023



EN	MATERIALS	Metal
	FINISHES	Metal Matt black / Matt white
	SPECIFICATIONS (UE)	LED plate dimmable TRIAC dimmable driver on canopy 10 W - 2700 K - 720 lm 220-240V - 50/60 Hz
	ENERGY LABEL	F

ES	MATERIALES	Metal
	ACABADOS	Metal Negro mate / Blanco mate
	ESPECIFICACIONES (UE)	Placa LED regulable Driver TRIAC regulable integrado en florón 10 W - 2700K - 720 lm 220-240V - 50/60 Hz
	CLASIFICACIÓN ENERGÉTICA	F



ICONS



IPON

A1316



Pepe Fornas
Design 2024



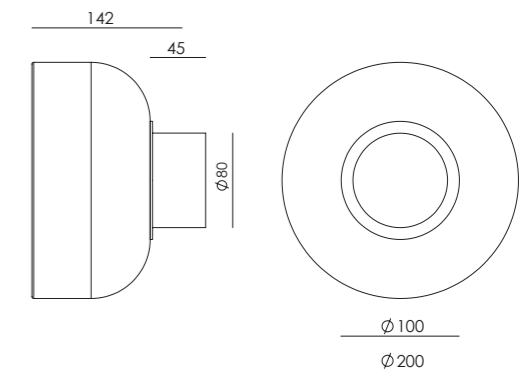
Colour glass:
Grey

EN	MATERIALS	Metal Transparent glass	
	FINISHES	Metal Matt black Aged gold	Shade Clear glass (standard)*
	SPECIFICATIONS (UE)	LED plate dimmable 10W - 2700 K - 810 lm 220-240V - 50/60 Hz	
	ENERGY LABEL	F	

ES	MATERIALES	Metal Cristal transparente	
	ACABADOS	Metal Negro mate Oro envejecido	Pantalla Cristal transparente (estándar)*
	ESPECIFICACIONES (UE)	Placa LED regulable 10 W - 2700 K - 810 lm 220-240V - 50/60 Hz	

CLASIFICACIÓN ENERGÉTICA	F
---------------------------------	---

ICONS



*Other smoked finish (Ambar / Greenish Brown / Grey / Blue) /
Otros acabados ahumados (Ambar / Marrón verdoso / Gris / Azul)

NIRO

A1314

JF Sevilla
Design 2023



EN MATERIALS Aluminium profile / Wood / Acrylic

FINISHES

Metal	Wood
Aged gold	Walnut
Sandy matt black	Difuser
	Acrylic

SPECIFICATIONS (UE) LED strip 8W - 2700 K - 700 lm
dimmable TRIAC
220-240 V - 50/60Hz

ENERGY LABEL F

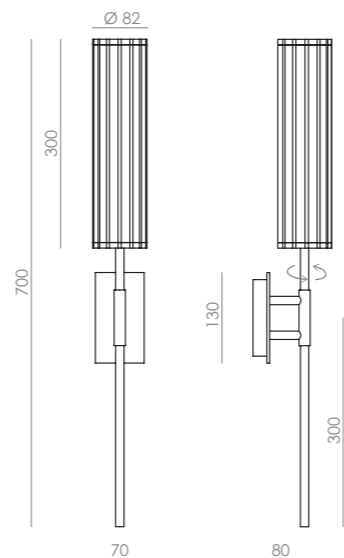
ES MATERIALES Perfil de aluminio / madera / acrílico

ACABADOS

Metal	Madera
Oro envejecido	Nogal
Negro mate arenoso	Difusor
	Acrílico

ESPECIFICACIONES (UE) Tira LED 8W - 2700 K - 700 lm
Regulador TRIAC
20-240 V - 50/60Hz

CLASIFICACIÓN ENERGÉTICA F



ICONS



* Ball joint to orient the light/
Rótula para orientar la luz



TURA C

A1313/C

JF Sevilla
Design 2025

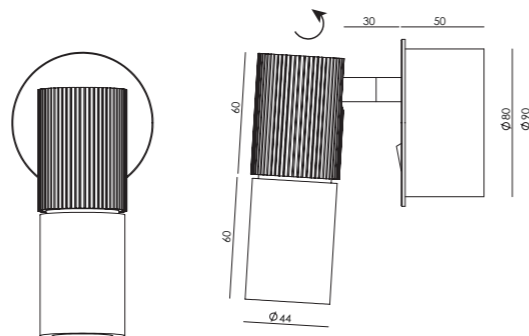


EN

MATERIALS	Metal / Leather	
FINISHES	Metal Matt black Matt brass	Leather Dark brown Light brown Orange Black
SPECIFICATIONS (UE)	LED chip 5W 2700K 500lm 220-240V, 50/60 Hz switch ON/OFF in canopy	
ENERGY LABEL	F	

ES

MATERIALES	Metal / Cristal	
ACABADOS	Metal Negro mate Oro mate	Cuero Marrón oscuro Marrón claro Naranja Negro
ESPECIFICACIONES (UE)	Chip LED 5W 2700K 500lm 220-240V, 50/60 Hz interruptor ON/OFF en el florón	
CLASIFICACIÓN ENERGÉTICA	F	



ICONS

IP20 CE



TURA

A1313



Colour leather:
Orange

JF Sevilla
Design 2025



EN	MATERIALS	Steel / Leather
----	------------------	-----------------

FINISHES	Metal	Leather
	Matt black	Black Brown Orange

SPECIFICATIONS (UE)	LED chip 5W 2700K 220-240V/24V, 50/60Hz 500lm dimmable
----------------------------	--

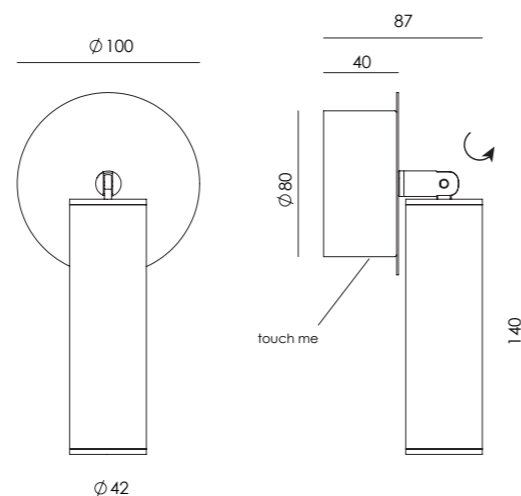
ENERGY LABEL	F
---------------------	---

ES	MATERIALES	Metal / Cuero
----	-------------------	---------------

ACABADOS	Metal	Cuero
	Negro mate	Negro Marrón Naranja

ESPECIFICACIONES (UE)	Chip LED 5W 2700K 220-240V/24V, 50/60 Hz 500lm Regulable
------------------------------	--

CLASIFICACIÓN ENERGÉTICA	F
---------------------------------	---



ICONS



ELMA

A1312



Jose Fornas
Design 2023



EN	MATERIALS	Metal / Glass / Acrylic
----	------------------	-------------------------

FINISHES	Metal	Glass
	Matt black Aged gold Satin nickel	Striped glass Clear Acrylic Opal

SPECIFICATIONS (UE)	LED strip 10W 2700K TRIAC dimmable 220-240V/24V, 50/60Hz, 600lm
----------------------------	--

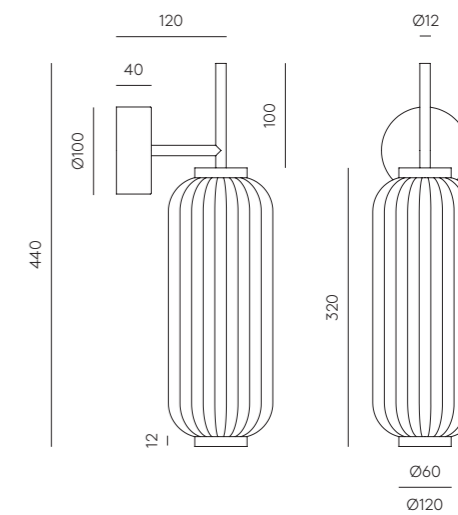
ENERGY LABEL	F
---------------------	---

ES	MATERIALES	Metal / Vidrio / Acrílico
----	-------------------	---------------------------

ACABADOS	Metal	Cristal
	Negro mate Oro envejecido Níquel satinado	Cristal estriado Transparente Acrílico Opal

ESPECIFICACIONES (UE)	Tira LED 10W 2700K TRIAC regulable 220-240V/24V, 50/60 Hz, 600lm
------------------------------	---

CLASIFICACIÓN ENERGÉTICA	F
---------------------------------	---



ICONS

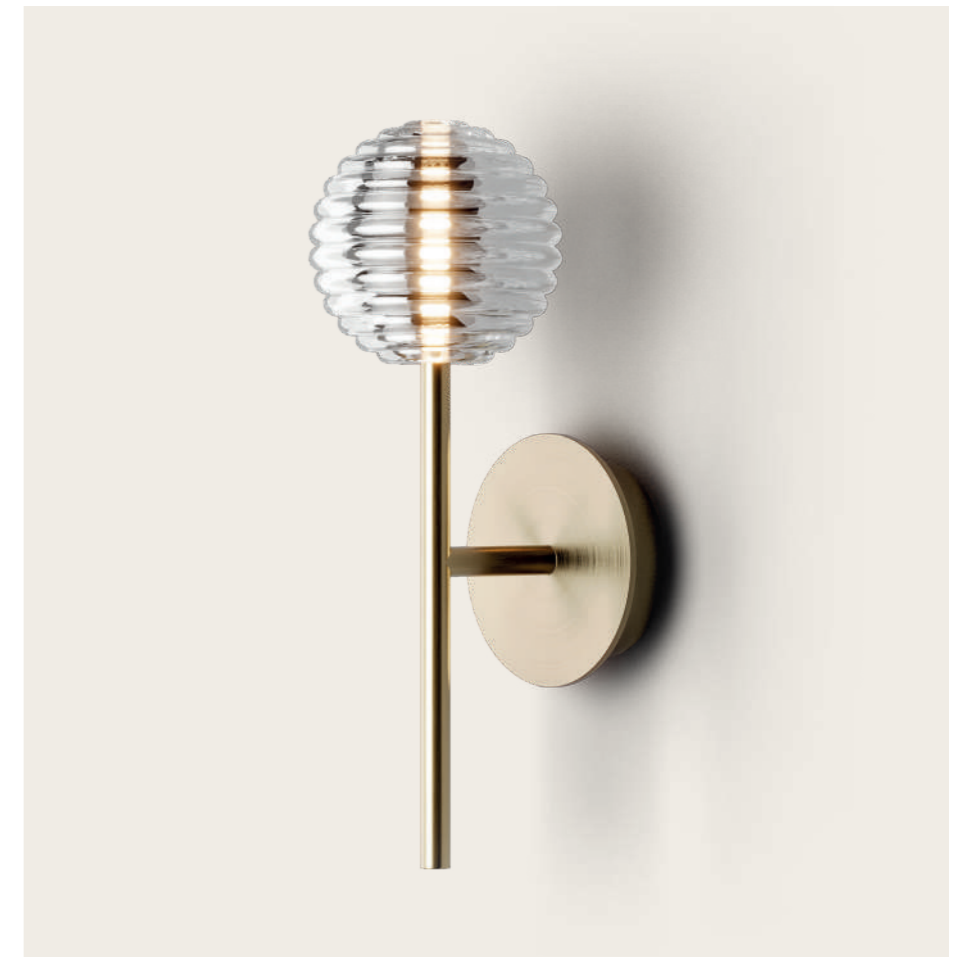




DOUL

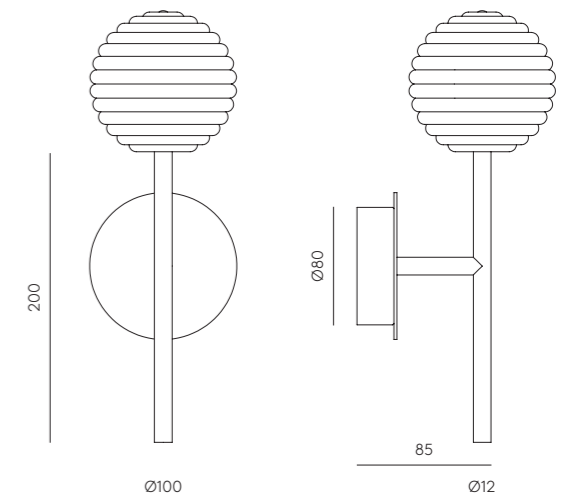
A1310

Pepe Fronas
Design 2024



EN	MATERIALS		Steel / Glass
	FINISHES	Metal	Glass
		Matt black Aged gold	Striped glass Transparent
	SPECIFICATIONS (UE)	G4 LEDs 3W 2700K (Included) 220-240V, 50/60Hz 270lm	
	ENERGY LABEL	E	

ES	MATERIALES		Acero / Vidrio
	ACABADOS	Metal	Cristal
		Negro mate Oro envejecido	Cristal rayado Transparente
	ESPECIFICACIONES (UE)	G4 LED 3W 2700K (Incluida) 220-240 V, 50/60 Hz 270lm	
	CLASIFICACIÓN ENERGÉTICA	E	



ICONS



TANA

A1309

JF Sevilla
Design 2022

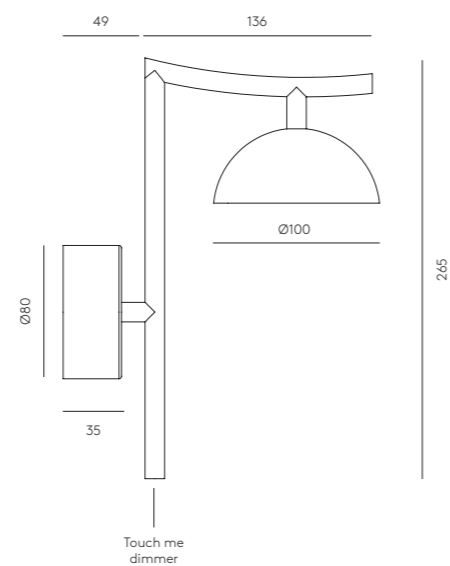


EN

MATERIALS	Steel
FINISHES	Steel Matt black
SPECIFICATIONS (UE)	Chip LED 4W - 2700K (Included) Touch me dimmer 220-240V/24V - 50/60 Hz 400lm
ENERGY LABEL	F

ES

MATERIALES	Metal
ACABADOS	Metal Negro mate
ESPECIFICACIONES (UE)	Chip LED 4W - 2700K (Incluida) Touch me regulable 220-240V/24V - 50/60 Hz 400lm
CLASIFICACIÓN ENERGÉTICA	F



ICONS



DUSSA

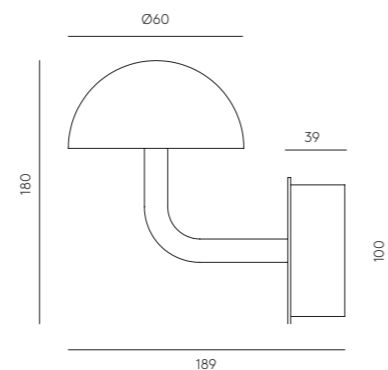
A1307



Pepe Fornas
Design 2022



EN	MATERIALS Steel / Marble	
FINISHES	Steel Matt black Aged gold	Marble Black White Travertine
SPECIFICATIONS (UE)	Led Plate 9W 2700K 220-240V/24 V, 50/60 Hz 900lm dimmable	
ENERGY LABEL	F	

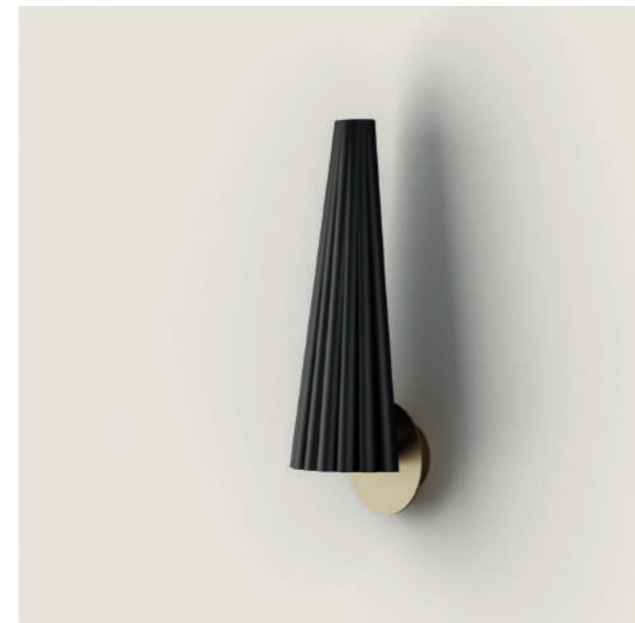


ES	MATERIALES Steel / Marble	
ACABADOS	Metal Negro mate Oro envejecido	Mármol Negro Blanco Travertino
ESPECIFICACIONES (UE)	Placa LED 9W - 2700K 220-240V/24 V, 50/60 Hz 900lm regulable	
CLASIFICACIÓN ENERGÉTICA	F	

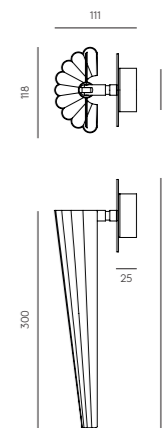
IP20 CE E

BION

A1306



Pepe Fornas
Design 2022

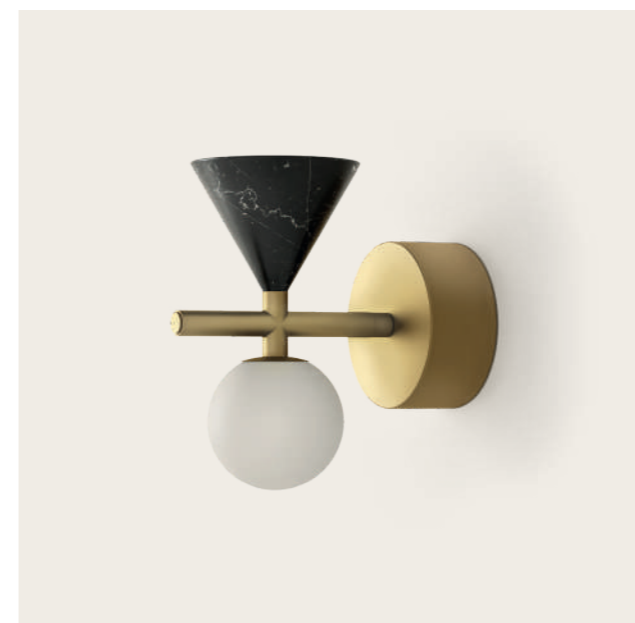


EN	MATERIALS Steel	
FINISHES	Body Matt black Aged gold	Shade Matt black Matt white
SPECIFICATIONS (UE)	G9 LED 5W 2700K Dimmable (included) 220-240 V, 50/60 Hz 450lm	
ENERGY LABEL	E	

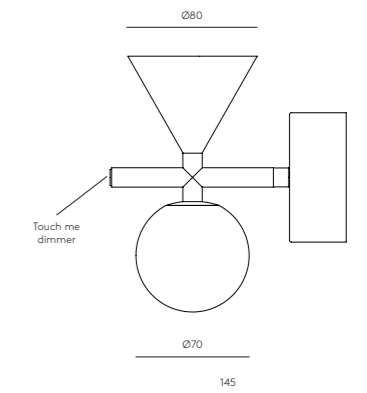
IP20 CE E

ONETA

A1299



JF Sevilla
Design 2022



EN	MATERIALS Steel / Marble / Glass	
FINISHES	Metal Aged gold Matt black Glass Opal	Marble White Black
SPECIFICATIONS (UE)	G4 LED 5W 2700K (included) Touch me dimmer on end of tube 220-240 V - 50/60 Hz, 450lm	
ENERGY LABEL	E	

IP20 CE E



ISON

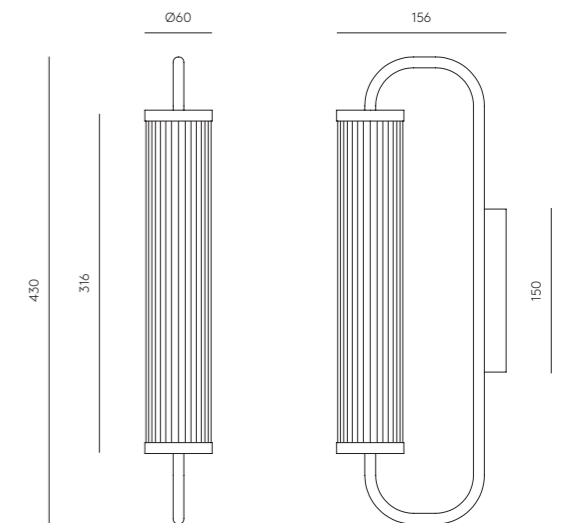
A1298



Pepe Fornas
Design 2021



EN	MATERIALS	Steel /Glass
	FINISHES	Metal Aged gold Matt black Nickel Glass Fluted glass
	SPECIFICACIONES (UE)	LED Strip 6W - 2700K Dimmable 220-240V - 50/60 Hz 600lm
	ENERGY LABEL	F
ES	MATERIALES	Acero / Vidrio
	ACABADOS	Metal Oro envejecido Negro mate Níquel Vidrio Estriado
	ESPECIFICACIONES (UE)	Tira LED 6W - 2700K Regulable 220-240V - 50/60 Hz 600lm
	CLASIFICACIÓN ENERGÉTICA	F

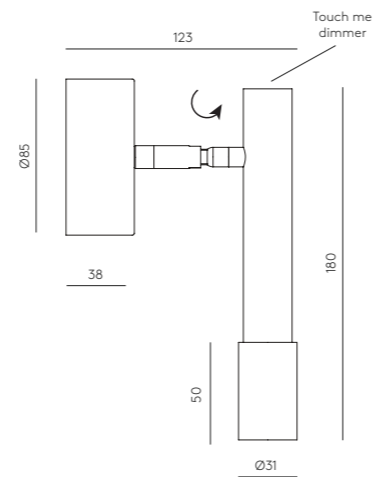


ICONS



YCRO

A1297



JF Sevilla
Design 2022

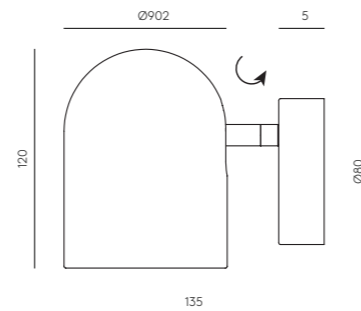
EN	MATERIALS	Steel
	FINISHES	Metal Matt Black Aged gold
	SPECIFICATIONS (UE)	Chip LED 8W 2700K 220-240 V - 50/60 Hz 800lm Touch me dimmable in canopy
	ENERGY LABEL	F

ICONS



PIPE

A1293



AC Studio
Design 2021

EN	MATERIALS	Steel
	FINISHES	Metal Matt Black
	SPECIFICATIONS (UE)	GU10 LED 3W 2700K (included) 230V - 220-240V, 50/60 Hz 300lm
	ENERGY LABEL	E

ICONS



MIRO

A1289

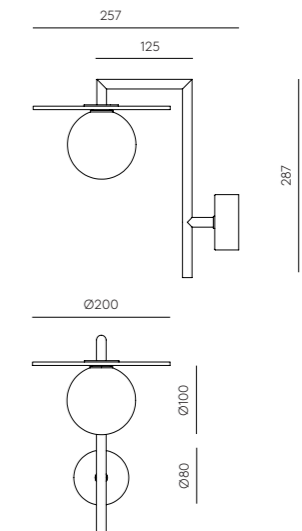
AC Studio
Design 2021



EN	MATERIALS	Steel / Blown Glass
	FINISHES	Metal Matt Black Shade Opal
	SPECIFICATIONS (UE)	G9 LED (included) 5W 2700K 220-240V, 50/60 Hz, 450lm
	ENERGY LABEL	E

ES	MATERIALES	Acero / Vidrio soplado
	ACABADOS	Metal Negro mate Tulipa Opal
	ESPECIFICACIONES (UE)	G9 LED (incluido) 5W 2700K 220-240V, 50/60 Hz, 450lm
	CLASIFICACIÓN ENERGÉTICA	E

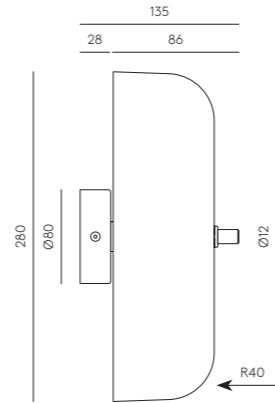
ICONS



* Accessories not included/Accesorios no incluidos
Alabaster 1289/20/A (20 cm), Ceramic 1097/20 (20 cm), Metallic disc
1289/20 (20 cm)

ATIL

A1281



Pepe Fornas
Design 2019

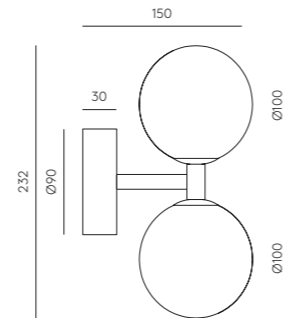
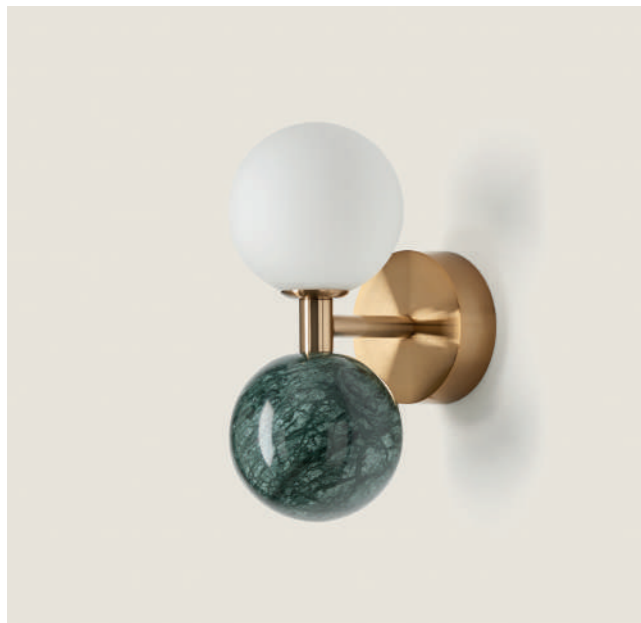
MATERIALS	Steel Glass	
FINISHES	Metal Matt black Matt brass	Glass Opal
SPECIFICATIONS (UE)	G9 Led Bulbs (Included) 2 x 5W - 2700K 220-240 V, 50/60 Hz, 900lm	
ENERGY LABEL	E	

ICONS



DALT

A1280



Pepe Fornas
Design 2019

MATERIALS	Steel / Marble / Glass		
FINISHES	Metal Matt Black Aged Gold	Marble White Green Black Brown	Glass Shade Opal
SPECIFICATIONS (UE)	Bulb G9 Led (Included) 5W - 2700K, 220-240 V, 50/60 Hz 450lm		
ENERGY LABEL	E		

ICONS



NOOI

A1276

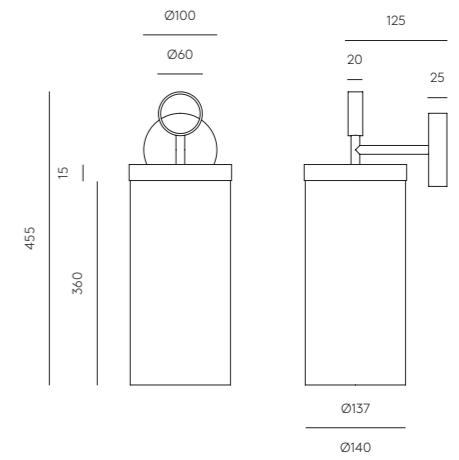
Pepe Fornas
Design 2022



MATERIALS	Linen / Steel / Acrylic
FINISHES	Metal Matt Black Shade Cream Linen textile Acrylic Opal
SPECIFICATIONS (UE)	T8 5W Dimmable - 2700K Triac dimmable 220-240V, 50/60Hz, 450lm
ENERGY LABEL	E

MATERIALES	Lino / Metal / Acrílico
ACABADOS	Metal Negro mate Tulipa Textil Lino Crema Acrílico Opal
ESPECIFICACIONES (UE)	T8 5W Regulable - 2700K Regulador Triac 220-240 V, 50/60 Hz, 450lm
CLASIFICACIÓN ENERGÉTICA	E

ICONS



NINO

A1275

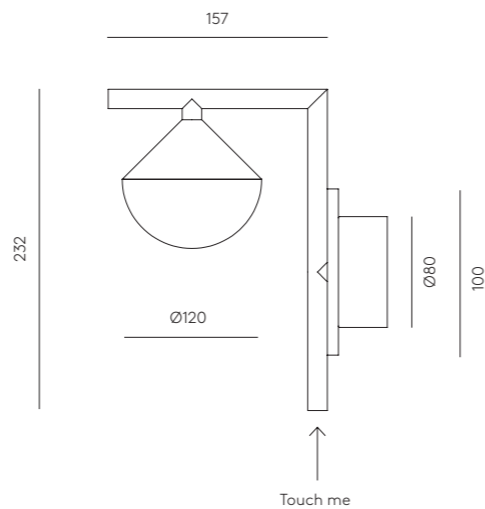


JF Sevilla
Design 2021



EN	MATERIALS Steel / Marble / Glass									
	FINISHES	<table border="0"> <tr> <td>Metal</td> <td>Marble</td> </tr> <tr> <td>Matt black</td> <td>Matt black</td> </tr> <tr> <td>Details</td> <td>Glass</td> </tr> <tr> <td>Matt gold</td> <td>Optic</td> </tr> </table>	Metal	Marble	Matt black	Matt black	Details	Glass	Matt gold	Optic
Metal	Marble									
Matt black	Matt black									
Details	Glass									
Matt gold	Optic									
	SPECIFICATIONS (UE) LED Chip 7W 2700K Dimmable 24 V, 50/60 Hz, 220-240V 700lm									
	ENERGY LABEL F									

ES	MATERIALES Acero / Mármol / Vidrio									
	ACABADOS	<table border="0"> <tr> <td>Metal</td> <td>Mármol</td> </tr> <tr> <td>Negro mate</td> <td>Negro mate</td> </tr> <tr> <td>Detalles</td> <td>Vidrio</td> </tr> <tr> <td>Oro mate</td> <td>Óptico</td> </tr> </table>	Metal	Mármol	Negro mate	Negro mate	Detalles	Vidrio	Oro mate	Óptico
Metal	Mármol									
Negro mate	Negro mate									
Detalles	Vidrio									
Oro mate	Óptico									
	ESPECIFICACIONES (UE) Chip LED 7W 2700K Regulable 24 V, 50/60 Hz, 220-240V 700lm									
	CLASIFICACIÓN ENERGÉTICA F									



ICONS



LYB

A1274

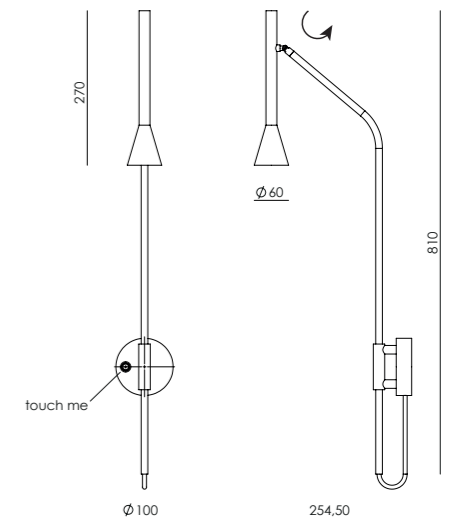


Pepe Fornas
Design 2019

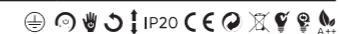


EN	MATERIALS Steel	
	FINISHES	Body Matt Black
	SPECIFICATIONS (UE) Led integrated 5W, 2700K 220-240V/12 V, 50/60 Hz Touch me dimmable	
	ENERGY LABEL F	

ES	MATERIALES Acero	
	ACABADOS	Metal Negro Mate
	ESPECIFICACIONES (UE) Led integrado 5W, 2700K 220-240V/12 V, 50/60 Hz Touch me dimmable	
	CLASIFICACIÓN ENERGÉTICA F	

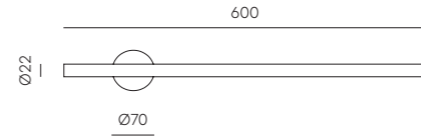


ICONS



CLOCK

A1273



AC Studio
Design 2019

MATERIALS	Steel
FINISHES	Metal Matt black Matt brass
SPECIFICATIONS (UE)	Dimmable Strip Led integrated 16W - 2700K, 24V · 220-240V, 50/60 Hz, 1200lm
ENERGY LABEL	F

ICONS



CLOCK XL

A1273/120



Pepe Fornas
Design 2019

MATERIALS	Steel
FINISHES	Metal Matt black Matt brass
SPECIFICATIONS (UE)	Dimmable Strip Led integrated 24W 2400lm 2700K 24V · 220-240V, 50/60 Hz
ENERGY LABEL	F

ICONS



LATTO

A1268



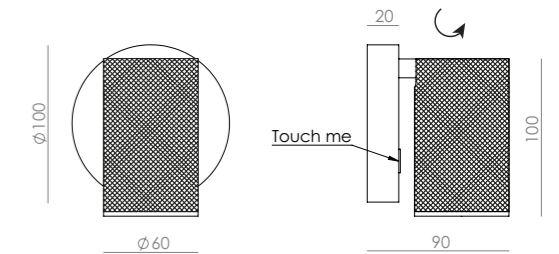
AC Studio
Design 2024



MATERIALS	Aluminium
FINISHES	Metal Aged Gold Blued Steel Matt Black
SPECIFICATIONS (UE)	GU-10 5W 2700K 450lm Touch me on canopy 220-240 V, 50/60 Hz
ENERGY LABEL	E

MATERIALES	Aluminio
ACABADOS	Metal Oro Envejecido Acero Pavonado Negro Mate
ESPECIFICACIONES (UE)	GU-10 5W 2700K 450lm Touch me en florón 220-240 V, 50/60 Hz
CLASIFICACIÓN ENERGÉTICA	E

ICONS



HINOO

A1266

JF Sevilla
Design 2024

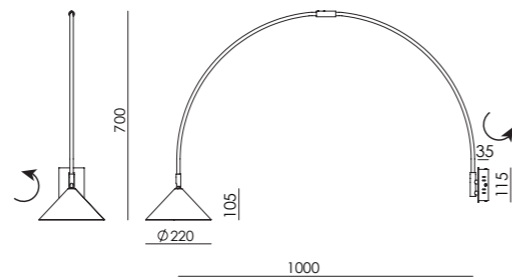


EN	MATERIALS	Metal / Acrylic
	FINISHES	Body Matt black Details Matt black Matt brass
	SPECIFICATIONS (UE)	Integrated Dimmable LED 13W 1000lm 2700K 220-240V 50/60 Hz

ENERGY LABEL F

ES	MATERIALES	Metal / Acrílico
	ACABADOS	Cuerpo Negro mate Detalles Negro mate Oro mate
	ESPECIFICACIONES (UE)	LED integrado regulable 13W 1000lm 2700K 220-240V 50/60 Hz

CLASIFICACIÓN ENERGÉTICA F



ICONS



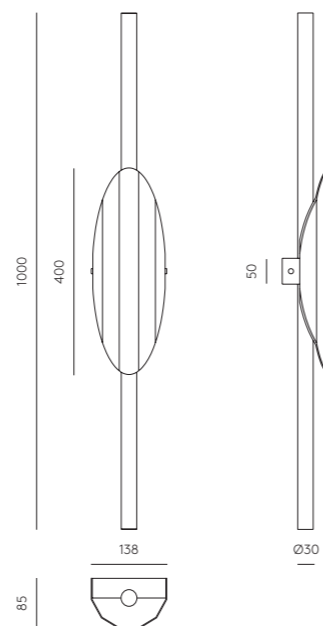
XAGO

A1262

Agus Gascón
Design 2023



EN	MATERIALS	Steel / Acrylic
	FINISHES	Metal Matt Black Aged gold Acrylic Opal
	SPECIFICATIONS (UE)	S14D LED 16W 2700K TRIAC dimmable 220-240V, 50/60Hz 1600lm
	ENERGY LABEL	E
ES	MATERIALES	Metal / Acrílico
	ACABADOS	Metal Negro mate Oro envejecido Acrílico Opal
	ESPECIFICACIONES (UE)	S14D LED 16W 2700K TRIAC regulable 220-240V, 50/60 Hz 1600lm
	CLASIFICACIÓN ENERGÉTICA	E



ICONS IP20 CE E

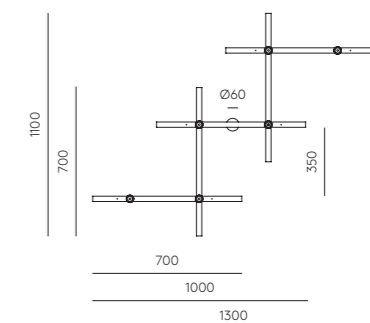
ABBY

A1259/6

AC Studio
Design 2018



EN	MATERIALS	Steel
	FINISHES	Steel Matt Brass Matt black
	SPECIFICATIONS (UE)	6 x E27 Max. 15W (Not included) 220-240 V, 50/60 Hz Maximum compatible accessory diameter 50cm
	ENERGY LABEL	E
	IMAGE COMPOSITION	1132/50 (orange maison) 1093/50 (chocolate brown), 1038/35 (matt brass), 1218/30 (dark wicker), 1094/30, 1226 (brown)
ES	MATERIALES	Acero
	ACABADOS	Metal Oro mate Negro mate
	ESPECIFICACIONES (UE)	6 x E27 Max. 15W (No incluida) 220-240 V, 50/60 Hz Diámetro máximo accesorio compatible 50cm
	CLASIFICACIÓN ENERGÉTICA	E
	COMPOSICIÓN IMAGEN	1132/50 (naranja maison) 1093/50 (marrón chocolate), 1038/35 (oro mate), 1218/30 (mimbre oscuro), 1094/30, 1226 (marrón)

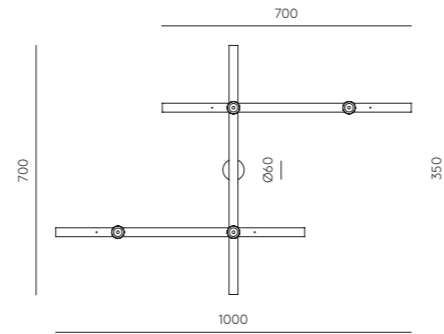


ICONS IP20 CE E

* Articulated structure (Accessories not included) /
Estructura articulable (Accesorios no incluidas).
* Bulbs: b038*4 + b035*2 / Bombillas: b038*4 +
b035*2.

ABBY

A1259/4



AC Studio
Design 2018

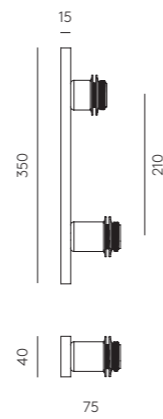
MATERIALS	Steel
FINISHES	Steel Matt Brass Matt black
SPECIFICATIONS (UE)	2 x E27 Max. 15W (Not included) 220-240 V, 50/60 Hz
ENERGY LABEL	E
IMAGE COMPOSITION	1038/25 - 1096/25 x 2 - 1038/35

ICONS



ABBY

A1259/2



AC Studio
Design 2022

MATERIALS	Steel
FINISHES	Steel Matt Brass Matt black
SPECIFICATIONS (UE)	2 x E27 Max. 15W (Not included) 220-240 V, 50/60 Hz Maximum compatible accessory diameter 35cm
ENERGY LABEL	E
IMAGE COMPOSITION	1038/35 - 1225/30

ICONS



Composition:
1218+1038

ABBACUS

A1258



Pepe Fornas
Design 2018



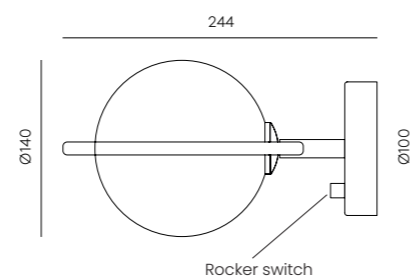
EN

MATERIALS	Steel / Blown Glass	
FINISHES	Metal Matt Black Matt Brass	Glass Shade (included) Opal Opal
SPECIFICATIONS (UE)	Bulb G9 (Included) 5W - 2700K 220-240 V, 50/60 Hz, 450lm	
ENERGY LABEL	E	

ES

MATERIALES	Acero / Vidrio Soplado	
ACABADOS	Metal Negro Mate Oro Mate	Cristal (incluido) Opal Opal
ESPECIFICACIONES (UE)	Bombilla G9 (Incluida) 5W - 2700K 220-240 V, 50/60 Hz, 450lm	
CLASIFICACIÓN ENERGÉTICA	E	

Opal



ICONS





ERTO

A1257

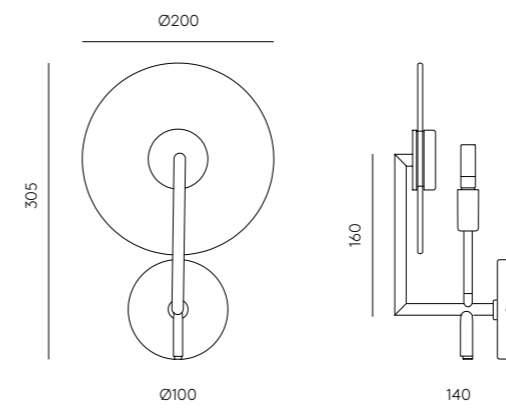
AC Studio
Design 2020



EN	
MATERIALS	Steel
FINISHES	Metal Matt Black Details Matt Brass
SPECIFICATIONS (UE)	G9 LED (Included) 5W - 2700K, 220-240 V, 50/60 Hz 450lm
IMAGE ACCESSORY	1097/20 - Ceramic Disc

ES	
MATERIALES	Acero
ACABADOS	Metal Negro Mate Detalles Oro Mate
ESPECIFICACIONES (UE)	G9 LED (Incluida) 5W - 2700K, 220-240 V, 50/60 Hz 450lm
ACCESORIO IMAGEN	1097/20 - Disco Cerámica

ICONS IP20 CE RoHS Energy

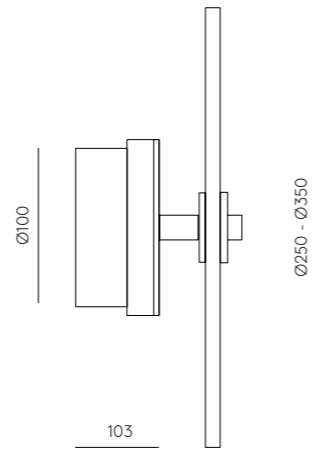


*1096/25 - Alabaster disc not included /
1096/25 - Disco alabastro no incluido
1223 - Glass disc not included /
1223 - Disco cristal no incluido*



SUAL

A1255



Fornasevi
Design 2020

EN

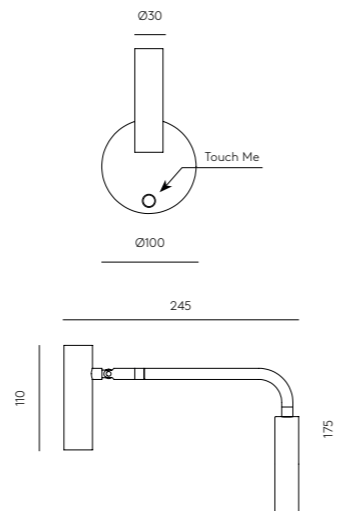
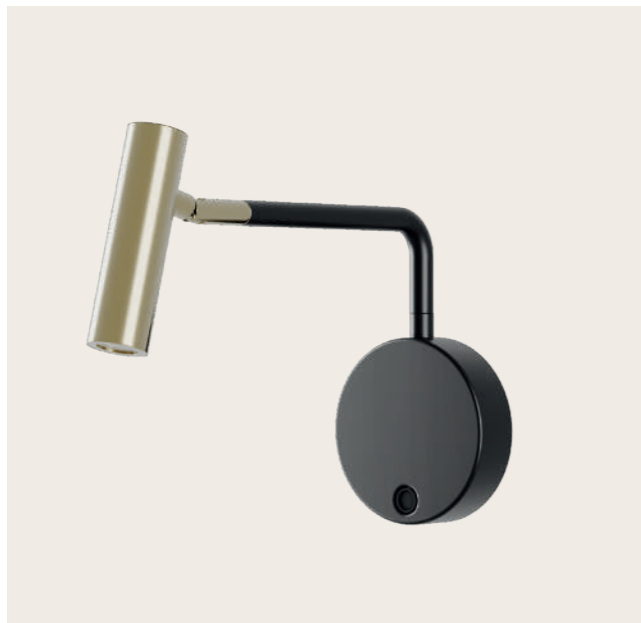
MATERIALS	Steel Blown Glass
FINISHES	Metal Matt Black
SPECIFICATIONS (UE)	Integrated LED plate 9W 2700K (Included) 24V / 220-240 V, 50/60 Hz, 900lm
ENERGY LABEL	F
COMPATIBLE ACCESSORIES	Alabaster - 1096/25, Alabaster - 1096/35, Ceramic - 1097/20, Ceramic - 1097/30, Stripped Metal - 1089/25, Glass - 1223, Metal - 1038/25, Alabaster wave 1094/30

ICONS



MAHO

A1254



JF Sevilla
Design 2018

EN

MATERIALS	Steel	
FINISHES	Body Matt Black	Head Matt Black Matt Brass
SPECIFICATIONS (UE)	Integrated COB LED 5W 2700K (Inclu- ded) 220-240 V, 50/60 Hz, Touch Me - Dimmable	
ENERGY LABEL	F	

ICONS



PULL

A1249

JF Sevilla
Design 2025



EN	MATERIALS	Metal / Linen
----	------------------	---------------

FINISHES	Metal	Shade
	Matt black	Linen
	Metal shade	
	Matt black Aged gold	

SPECIFICATIONS (UE)	Bulb G9 4W 2700K 500lm 220-240V -50/60 Hz
----------------------------	--

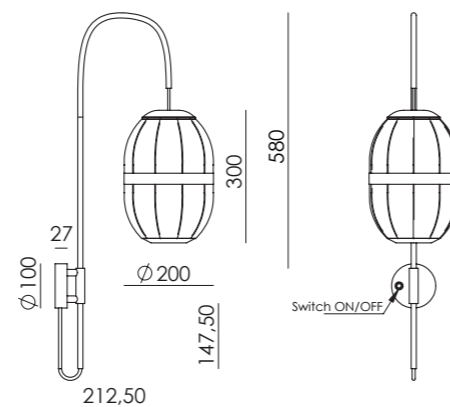
ENERGY LABEL	E
---------------------	---

ES	MATERIALES	Metal / Lino
----	-------------------	--------------

ACABADOS	Metal	Pantalla
	Negro mate	Lino
	Pantalla metal	
	Negro mate Oro envejecido	

ESPECIFICACIONES (UE)	Bombilla G9 4W 2700K 500lm 220-240V -50/60 Hz
------------------------------	--

CLASIFICACIÓN ENERGÉTICA	E
---------------------------------	---



ICONS



FLEXI LEATHER

A1248



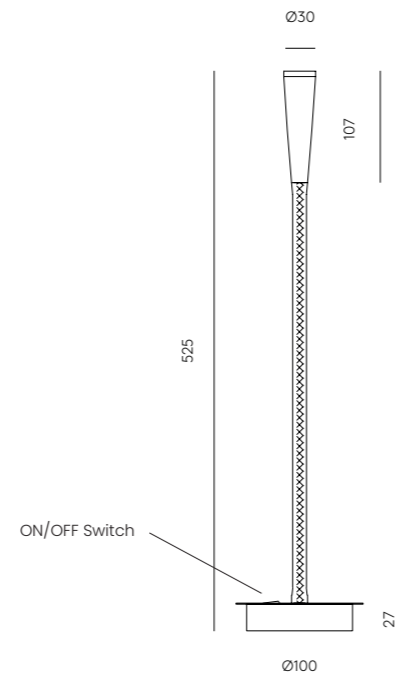
Leather colour
Dark brown

AC Studio
Design 2018



EN	MATERIALS		Steel / Leather
	FINISHES	Metal	Leather
		Matt Brass	Dark Brown
	SPECIFICATIONS (UE)	Led integrated, 3W - 2700K 24V-220-240V, 50/60 Hz, 300lm	
	ENERGY LABEL	F	

ES	MATERIALES		Steel / Leather
	ACABADOS	Metal	Piel
		Oro Mate	Piel Oscura
	ESPECIFICACIONES (UE)	Led integrado, 3W - 2700K 24V-220-240V, 50/60 Hz, 300lm	
	CLASIFICACIÓN ENERGÉTICA	F	



ICONS



LUCA

A1237

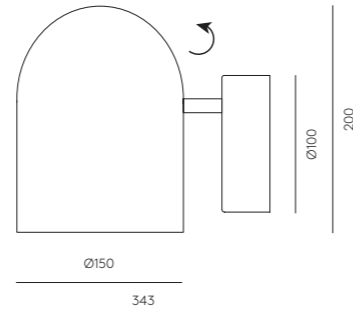


AC Studio
Design 2017



MATERIALS	Steel
FINISHES	Metal Black
SPECIFICATIONS (UE)	E27 Max. 15W (Not included) 220-240 V, 50/60 Hz
ENERGY LABEL	E

MATERIALES	Metal
ACABADOS	Metal Negro
ESPECIFICACIONES (UE)	E27 Max. 15W (No incluida) 220-240 V, 50/60 Hz
CLASIFICACIÓN ENERGÉTICA	E

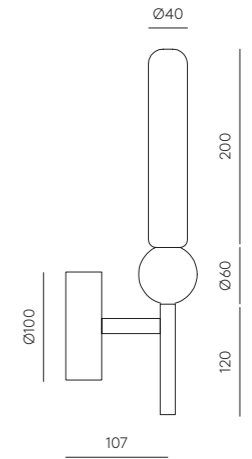


ICONS



DELIE

A1224



JF Sevilla
Design 2020

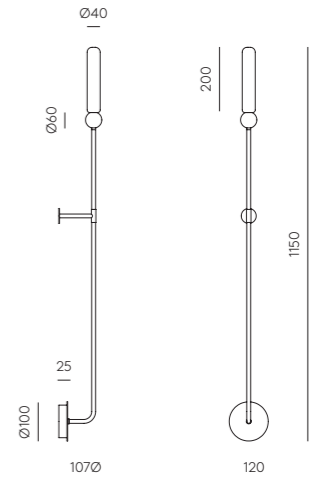
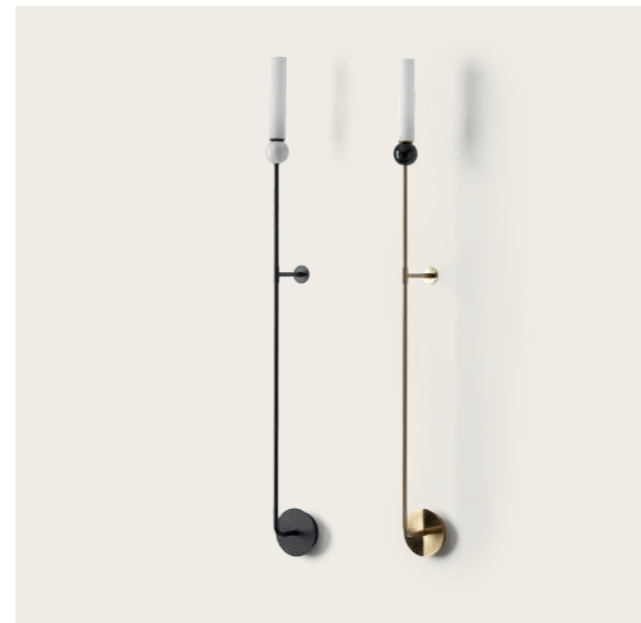
MATERIALS	Metal / Marble / Glass		
FINISHES	Metal Matt Black Aged Gold	Marble White Black	Glass Shade Opal
SPECIFICATIONS (UE)	G9 LED 5W 2700K (Included) 220-240 V, 50/60 Hz, 450lm		
ENERGY LABEL	E		

ICONS



DELIE-L

A1224/L



JF Sevilla
Design 2020

MATERIALS	Metal / Marble / Glass		
FINISHES	Metal Matt Black Aged Gold	Marble White Black	Glass Shade Opal
SPECIFICATIONS (UE)	G9 LED 5W 2700K (Included) 220-240 V, 50/60 Hz, 450lm		
ENERGY LABEL	E		

ICONS



HADA

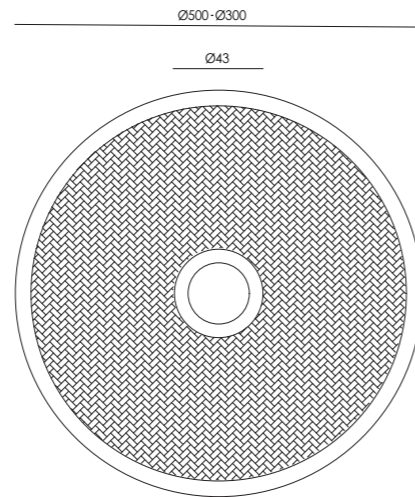
A1218



AC Studio
Design 2026



EN	MATERIALS Steel / Wicker / Leather	
FINISHES	Metal Chrome Matt Black Matt White Shiny Gold	Disc Dark wicker / Brown Leather Light Wicker / Taupe Leather
SPECIFICATIONS (UE)	E27 Max. 15W (Not included) 220-240 V, 50/60 Hz	
ENERGY LABEL	F	

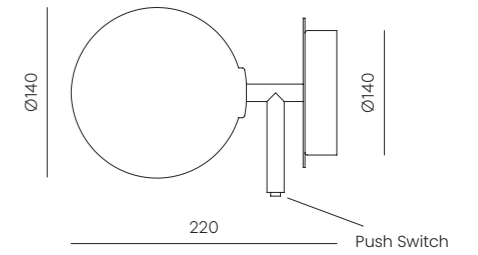


ES	MATERIALES Metal / Mimbre / Cuero	
ACABADOS	Metal Cromo Negro mate Blanco mate Oro brillo	Disco Mimbre oscuro / Cuero marron Mimbre claro / Cuero topo
ESPECIFICACIONES (UE)	E27 Max. 15W (No incluida) 220-240 V, 50/60 Hz	
CLASIFICACIÓN ENERGÉTICA	E	

ICONS

ATOM

A1214



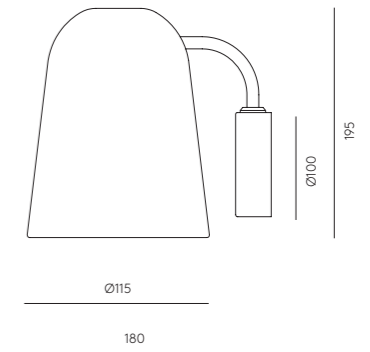
AC Studio
Design 2016

EN	MATERIALS Steel Glass	
FINISHES	Metal Matt black Matt brass	Shade (included) Opal
SPECIFICATIONS (UE)	Bulb G9 (Included) 5W - 2700K 220-240 V, 50/60 Hz, 450lm	
ENERGY LABEL	E	

ICONS

DOBI

A1207



AC Studio
Design 2015

EN	MATERIALS Steel	
FINISHES	Metal Matt Black	
SPECIFICATIONS (UE)	E14 Max. 40W (Not included) 220-240 V, 50/60 Hz	
ENERGY LABEL	E	

ICONS



BIGCOSS

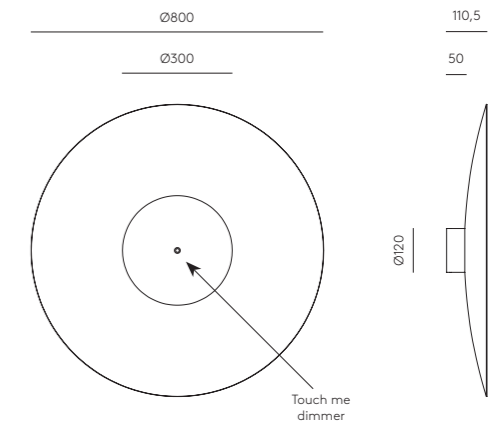
A1203/80

AC Studio
Design 2023



EN	MATERIALS	Metal / Acrylic / Crystal
	FINISHES	Body Matt Black Diffuser Mirror
	SPECIFICATIONS (UE)	LED strip 20W 2700K 2500lm Touch me dimmable 220-240V/12V, 50/60Hz
	ENERGY LABEL	F

ES	MATERIALES	Metal / Acrílico / Cristal
	ACABADOS	Cuerpo Negro Mate Difusor Espejo
	ESPECIFICACIONES (UE)	Tira LED 20W 2700K 2500lm Touch me regulable 220-240V/12V 50/60 Hz
	CLASIFICACIÓN ENERGÉTICA	F

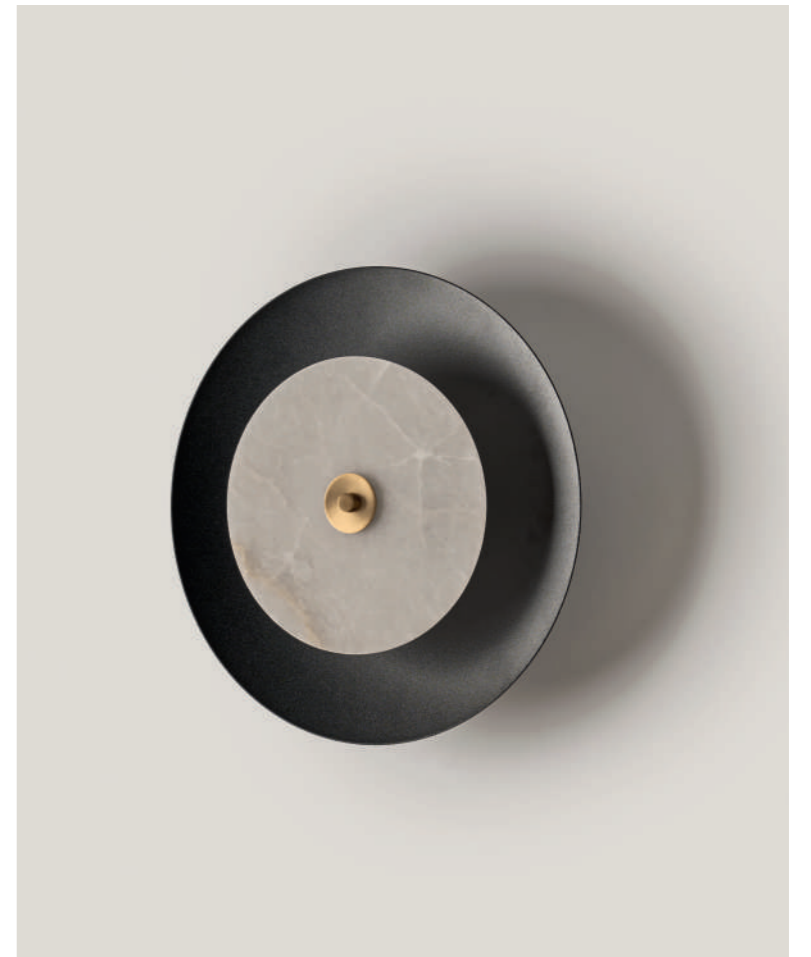


ICONS IP20 CE RoHS



COSS

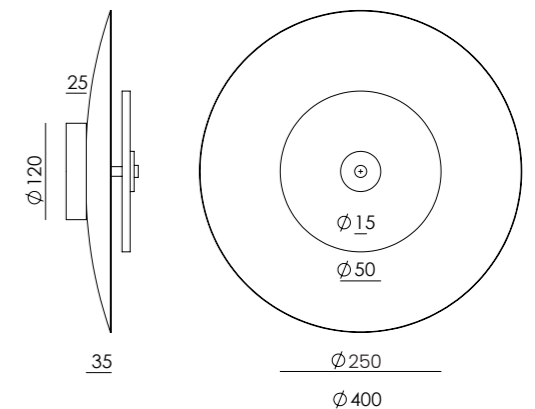
A1203/40/ALAB



AC Studio
Design 2025



EN	MATERIALS Metal / Alabaster							
	FINISHES	<table border="0"> <tr> <td>Dome</td> <td>Disc</td> </tr> <tr> <td>Matt Black</td> <td>Alabaster</td> </tr> <tr> <td>Aged Gold</td> <td></td> </tr> </table>	Dome	Disc	Matt Black	Alabaster	Aged Gold	
Dome	Disc							
Matt Black	Alabaster							
Aged Gold								
	SPECIFICATIONS (UE)	LED plate 21W 2700K 1200lm 220-240V/12V, 50/60 Hz dimmable						
	ENERGY LABEL	F						
ES	MATERIALES Metal / Alabastro							
	ACABADOS	<table border="0"> <tr> <td>Cúpula</td> <td>Disco</td> </tr> <tr> <td>Negro Mate</td> <td>Alabastro</td> </tr> <tr> <td>Oro Envejecido</td> <td></td> </tr> </table>	Cúpula	Disco	Negro Mate	Alabastro	Oro Envejecido	
Cúpula	Disco							
Negro Mate	Alabastro							
Oro Envejecido								
	ESPECIFICACIONES (UE)	Placa LED integrado 21W 2700K 1200lm 220-240V/12V, 50/60 Hz regulable						
	CLASIFICACIÓN ENERGÉTICA	F						



ICONS



COSS

A1203

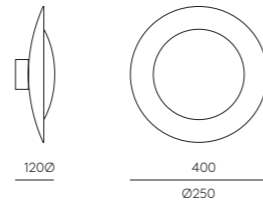


AC Studio
Design 2020

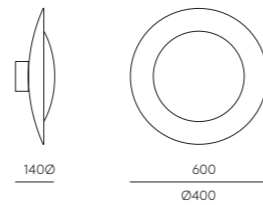


EN	MATERIALS Steel / Acrylic	
FINISHES	Dome Black White	Diffuser Black White Matt Brass
SPECIFICATIONS (UE)	A1203/40: Integrated LED 21W 2700K 1200lm A1203/60: Integrated LED 28W 2700K 2400lm 220-240V/12V, 50/60 Hz	
ENERGY LABEL	F	

TEC A1203/ 40



TEC A1203/ 60



ES	MATERIALES Acero / Acrílico	
ACABADOS	Cúpula Negro Blanco	Difusor Negro Blanco Oro Mate
ESPECIFICACIONES (UE)	A1203/40: LED integrado 21W 2700K 1200lm A1203/60: LED integrado 28W 2700K 2400lm 220-240V/12V, 50/60 Hz	
CLASIFICACIÓN ENERGÉTICA	F	

ICONS



GLIC

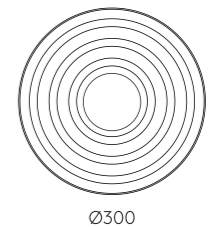
A1199



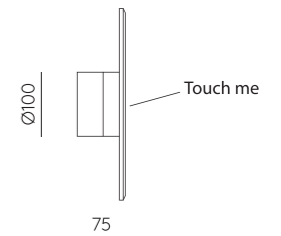
Fornasevi
Design 2023



EN	MATERIALS Steel / Glass	
FINISHES	Metal Canopy: Matt Black Touch me: Matt Brass	Glass Waved Opal
SPECIFICATIONS (UE)	Integrated LED 5W 2700K 220-240 V, 50/60 Hz 5000lm, Touch me	
ENERGY LABEL	F	



ES	MATERIALES Acero / Cristal	
ACABADOS	Metal Florón: Negro Mate Touch me: Oro Mate	Cristal Ondulado Opal
ESPECIFICACIONES (UE)	LED 5W 2700K Integrado 220-240 V, 50/60 Hz 500lm, Touch me	
CLASIFICACIÓN ENERGÉTICA	F	



ICONS



MARU

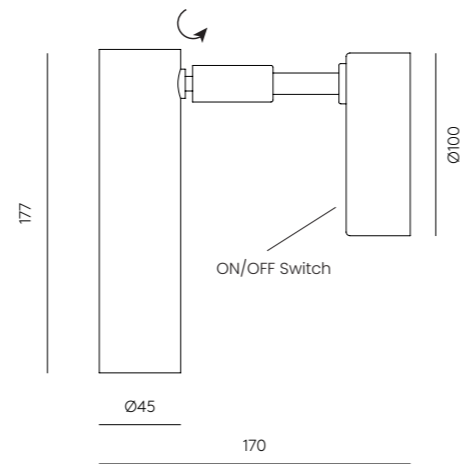
A1194

JF Sevilla
Design 2015



EN	MATERIALS		Steel
	FINISHES	Canopy	Head
		Matt Black	Matt Brass Matt Black
	SPECIFICATIONS (UE)	Chip Led Integrated, 3W - 3000K 12V-220-240V, 50/60 Hz, 300lm	
	ENERGY LABEL	F	

ES	MATERIALES		Acero
	ACABADOS	Florón	Cabeza
		Negro Mate	Oro Mate Negro Mate
	ESPECIFICACIONES (UE)	Chip Led integrado, 3W - 3000K 12V-220-240V, 50/60 Hz, 300lm	
	ETIQUETA ENERGÉTICA	F	



ICONS



LOTTO

A1176/1175/1174

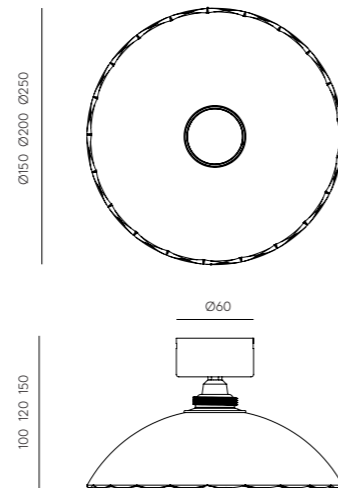


AC Studio
Design 2014



EN	MATERIALS	Steel / Glass						
	FINISHES	<table border="0"> <tr> <td>Metal</td> <td>Glass</td> </tr> <tr> <td>Shiny Gold</td> <td>Clear</td> </tr> <tr> <td>Chrome</td> <td></td> </tr> </table>	Metal	Glass	Shiny Gold	Clear	Chrome	
Metal	Glass							
Shiny Gold	Clear							
Chrome								
	SPECIFICATIONS (UE)	E14 Bulb Led included - B030 2W, 180lm, 2700K, IP20						
	ENERGY LABEL	E						

ES	MATERIALES	Acero / Cristal						
	FINISHES	<table border="0"> <tr> <td>Metal</td> <td>Cristal</td> </tr> <tr> <td>Oro Brillo</td> <td>Transparente</td> </tr> <tr> <td>Cromo</td> <td></td> </tr> </table>	Metal	Cristal	Oro Brillo	Transparente	Cromo	
Metal	Cristal							
Oro Brillo	Transparente							
Cromo								
	SPECIFICATIONS (UE)	E14 Bombilla Led incluida - B030 2W, 180lm, 2700K, IP20						
	ENERGY LABEL	E						



* Led diffuser option: A1176/LED: LED 9W 2700K
Opción difusor led: A1176/LED: LED 9W 2700K

ICONS



DUO

A1170/2

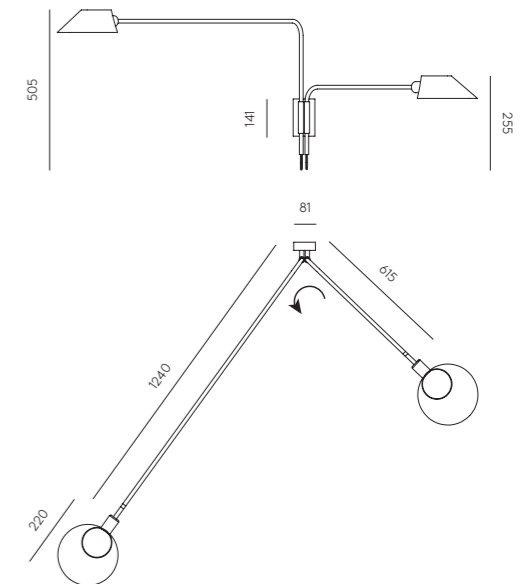


AC Studio
Design 2021



EN	MATERIALS	Steel						
	FINISHES	<table border="0"> <tr> <td>Body</td> <td>Matt Black</td> </tr> <tr> <td>Tulip</td> <td>Matt black outside</td> </tr> <tr> <td></td> <td>Matt white inside</td> </tr> </table>	Body	Matt Black	Tulip	Matt black outside		Matt white inside
Body	Matt Black							
Tulip	Matt black outside							
	Matt white inside							
	SPECIFICATIONS (UE)	2x E27 max. 15W LED (no included) 220-240V, 50/60 Hz,						
	ENERGY LABEL	E						

ES	MATERIALES	Acero						
	ACABADOS	<table border="0"> <tr> <td>Cuerpo</td> <td>Negro Mate</td> </tr> <tr> <td>Tulipa</td> <td>Negro mate exterior</td> </tr> <tr> <td></td> <td>Blanco mate interior</td> </tr> </table>	Cuerpo	Negro Mate	Tulipa	Negro mate exterior		Blanco mate interior
Cuerpo	Negro Mate							
Tulipa	Negro mate exterior							
	Blanco mate interior							
	ESPECIFICACIONES (UE)	2 x E27 max. 15W LED (no incluida) 220-240V, 50/60 Hz						
	CLASIFICACIÓN ENERGÉTICA	E						



ICONS



CALP

A1168

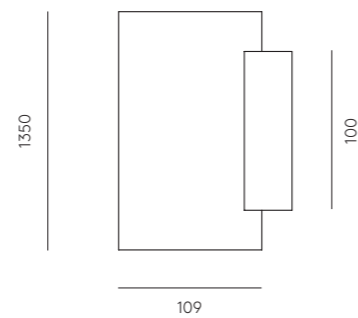
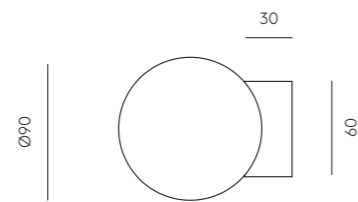


Colour ceramics:
Green Leaf

Pepe Fornas
Design 2022



EN	MATERIALS	Ceramics
	FINISHES	Ceramics (Hand painted) See colour palette p.484
	SPECIFICATIONS (UE)	G9 Led Bulbs 3.5W – 2700K (Included) 220-240V, 50/60Hz 350lm
	ENERGY LABEL	E



ES	MATERIALES	Cerámica
	FINISHES	Cerámica (Pintado a mano) Ver paleta de color p.484
	SPECIFICATIONS (UE)	G9 LED 5W – 3000K (No incluida) 220-240V, 50/60Hz IP20, Clase I
	ENERGY LABEL	E

ICONS



MOON

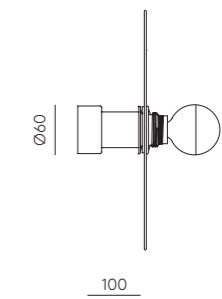
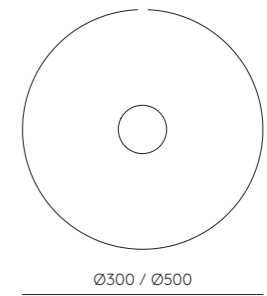
A1195



JF Sevilla
Design 2025



EN	MATERIALS	Steel
	FINISHES	Metal Chrome
	SPECIFICATIONS (UE)	E14 LED 2W 200lm 2700K 220-240 V, 50/60 Hz
	ENERGY LABEL	E



ES	MATERIALES	Acero
	ACABADOS	Metal Cromo
	ESPECIFICACIONES (UE)	E14 LED 2W 200lm 2700K 220-240 V, 50/60 Hz
	CLASIFICACIÓN ENERGÉTICA	E

ICONS



Bulb included: Chrome
Bombilla incluida: Cromo

FLEXOR

A1151

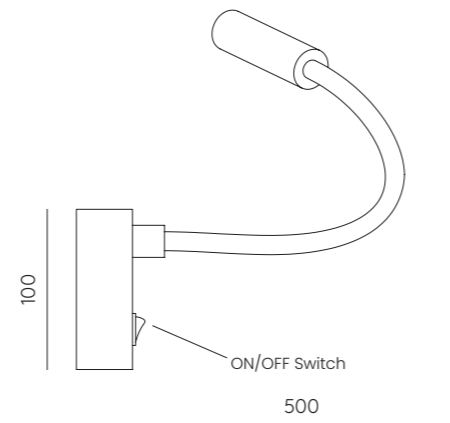


AC Studio
Design 2009



EN	MATERIALS	Steel / Silicon
	FINISHES	Metal Matt Black Matt White
	SPECIFICATIONS (UE)	Led (Included), 3W 270lm 2700K 220-240V/24V 50/60 Hz,
	ENERGY LABEL	F

ES	MATERIALES	Acero / Silicona
	FINISHES	Metal Negro mate Blanco mate
	SPECIFICATIONS (UE)	Led (Incluida) 3W 270lm 2700K 220-240V/12 V, 50/60 Hz
	ENERGY LABEL	E



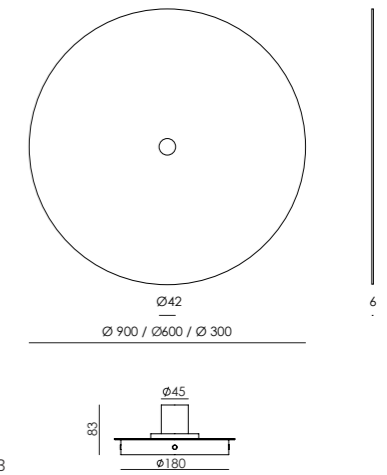
ICONS	
--------------	--

FLAT

A1135+1135



Colour image:
Make up, Green Hunt, Pale pink



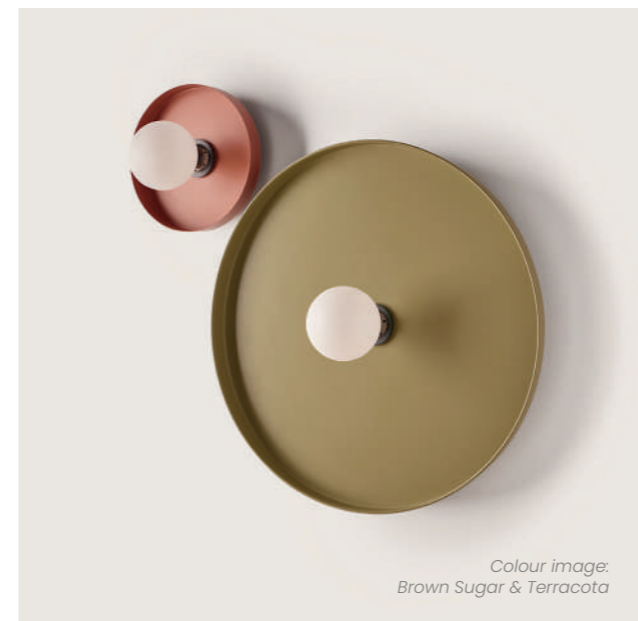
AC Studio
Design 2023

EN	MATERIALS	Steel Textile
	FINISHES	Metal Matt black
	SPECIFICATIONS (UE)	E27 Max. 15W (bulb not included) 220-240 V, 50/60Hz
	ENERGY LABEL	E

ICONS	
--------------	--

ARTEN

A1134+1134



Colour image:
Brown Sugar & Terracota



AC Studio
Design 2021

EN	MATERIALS	Steel
	FINISHES	Holder Matt black Plate See colour palette p.484
	SPECIFICATIONS (UE)	E27 Max. 15W (Not included) 220-240 V, 50/60 Hz
	ENERGY LABEL	E

ICONS	
--------------	--

OSION

A1132



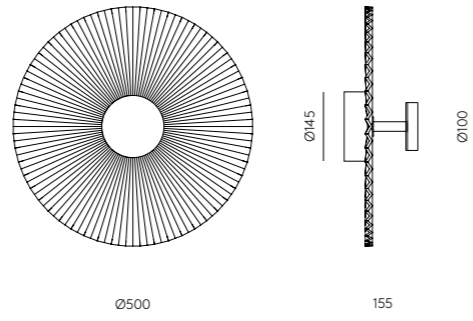
Colour hand painted:
Pale Pink

JF Sevilla
Design 2019



EN	MATERIALS	Steel Resin								
	FINISHES	<table border="1"> <tr> <th>Metal</th> <th>Resin</th> </tr> <tr> <td>Matt Brass</td> <td>White</td> </tr> <tr> <td>Matt Black</td> <td>See color palette</td> </tr> <tr> <td>Chrome</td> <td>p.484</td> </tr> </table>	Metal	Resin	Matt Brass	White	Matt Black	See color palette	Chrome	p.484
Metal	Resin									
Matt Brass	White									
Matt Black	See color palette									
Chrome	p.484									
	SPECIFICATIONS (UE)	Led integrated TRIAC Dimmable 9W 900lm 2700K 24V · 220 · 240V, 50/60Hz IP20								
	ENERGY LABEL	F								

ES	MATERIALES	Acero Resina								
	ACABADOS	<table border="1"> <tr> <th>Metal</th> <th>Resina</th> </tr> <tr> <td>Oro mate</td> <td>Blanco</td> </tr> <tr> <td>Negro mate</td> <td>Ver paleta de colores</td> </tr> <tr> <td>Cromo</td> <td>p.484</td> </tr> </table>	Metal	Resina	Oro mate	Blanco	Negro mate	Ver paleta de colores	Cromo	p.484
Metal	Resina									
Oro mate	Blanco									
Negro mate	Ver paleta de colores									
Cromo	p.484									
	ESPECIFICACIONES (UE)	Led integrado Regulador TRIAC 9W 900lm 2700K 24V · 220 · 240V, 50/60Hz IP20								
	CLASIFICACIÓN ENERGÉTICA	F								



ICONS IP20 CE ENEC V A++

AORA

A1129

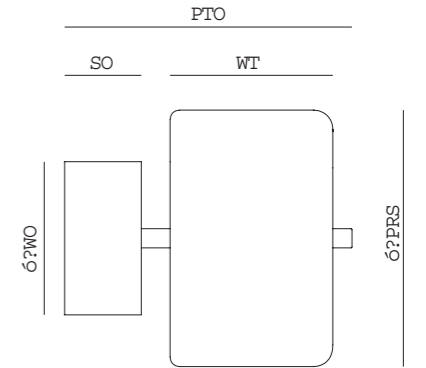


Colour ceramics:
Fresh Pasta

AC Studio
Design 2023

EN	MATERIALS	Steel Ceramics				
	FINISHES	<table border="1"> <tr> <th>Metal</th> <th>Ceramics</th> </tr> <tr> <td>Shiny gold / Matt brass Chrome / White / Black Nickel</td> <td>Hand painted *See colour palette p.484</td> </tr> </table>	Metal	Ceramics	Shiny gold / Matt brass Chrome / White / Black Nickel	Hand painted *See colour palette p.484
Metal	Ceramics					
Shiny gold / Matt brass Chrome / White / Black Nickel	Hand painted *See colour palette p.484					
	SPECIFICATIONS (UE)	Direct LED plate 7W 700lm 2700K 220-240V, 50/60Hz				
	ENERGY LABEL	F				

ICONS IP20 CE ENEC V A++



ALTUN

A1120

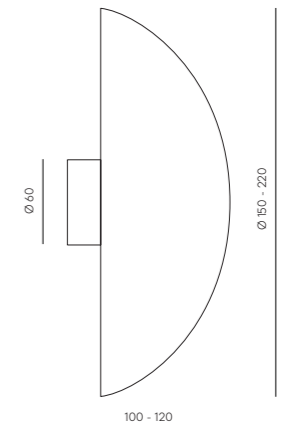


Colour metal:
Matt Black , Matt Brass, Matt White, Make Up

Pepe Fornas
Design 2021

EN	MATERIALS	Steel				
	FINISHES	<table border="1"> <tr> <th>Canopy</th> <th>Diffuser</th> </tr> <tr> <td>Matt Black</td> <td>Matt Black Matt white Matt Brass See color palette</td> </tr> </table>	Canopy	Diffuser	Matt Black	Matt Black Matt white Matt Brass See color palette
Canopy	Diffuser					
Matt Black	Matt Black Matt white Matt Brass See color palette					
	SPECIFICATIONS (UE)	<table border="1"> <tr> <th>A1120/15</th> <th>A1120/22</th> </tr> <tr> <td>LED Plate 9W- 2700K Dimmable - 220 - 240V - 24V, 50/60 Hz</td> <td>COB LED 12W- 2700K Dimmable - 220 - 240V - 24V, 50/60 Hz</td> </tr> </table>	A1120/15	A1120/22	LED Plate 9W- 2700K Dimmable - 220 - 240V - 24V, 50/60 Hz	COB LED 12W- 2700K Dimmable - 220 - 240V - 24V, 50/60 Hz
A1120/15	A1120/22					
LED Plate 9W- 2700K Dimmable - 220 - 240V - 24V, 50/60 Hz	COB LED 12W- 2700K Dimmable - 220 - 240V - 24V, 50/60 Hz					
	ENERGY LABEL	F				

ICONS IP20 CE ENEC V A++





CROPI

A1100/56/25

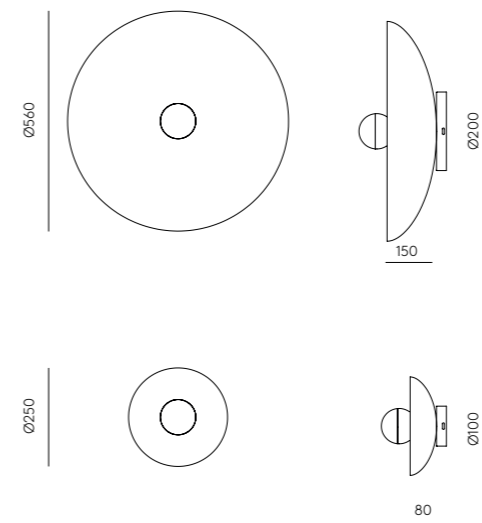
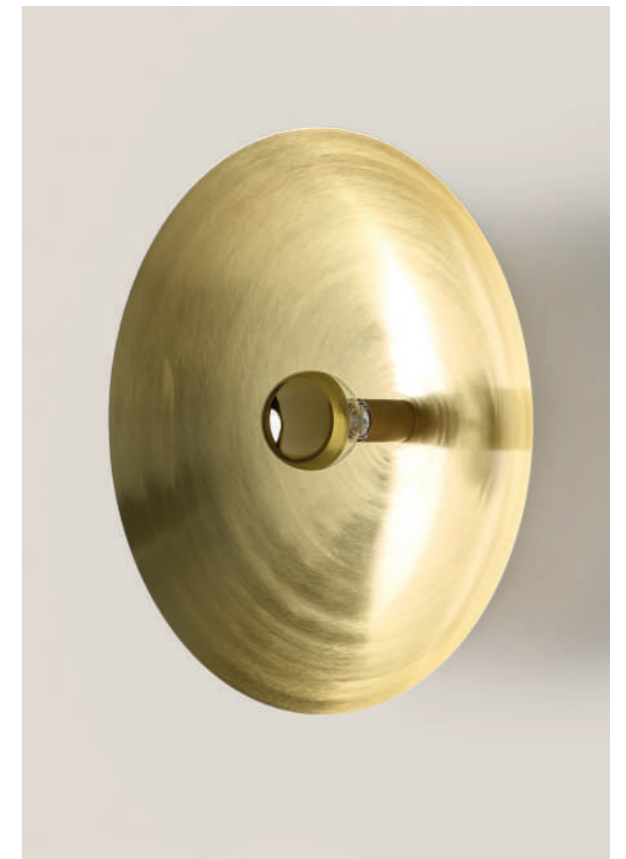
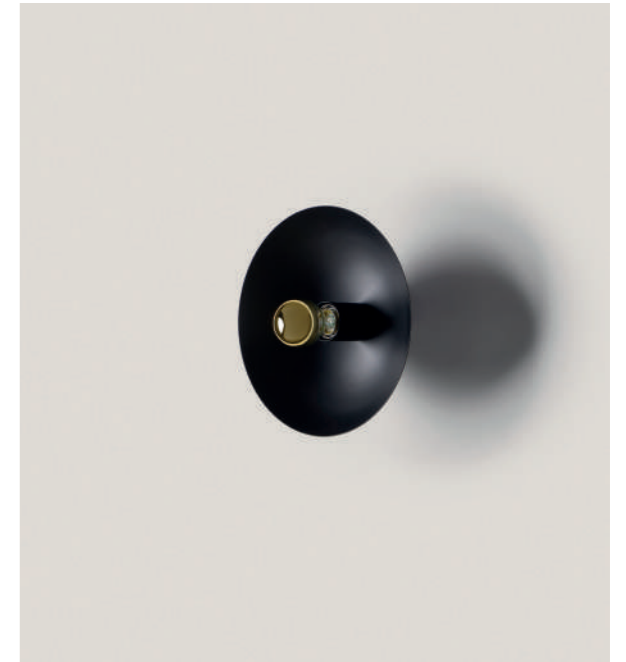


Pepe Fornas
Design 2019

EN	
MATERIALS	Steel
FINISHES	Metal Aged gold Black
SPECIFICATIONS (UE)	E27 15 W Max (Not Included) 220-240 V, 50/60 Hz
ENERGY LABEL	E
IMAGE BULB	B035 GOLD
SIZES	Diameter 250 mm Diameter 560 mm

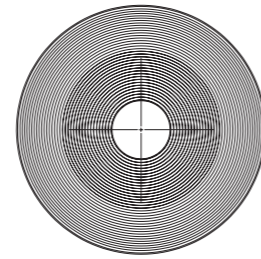
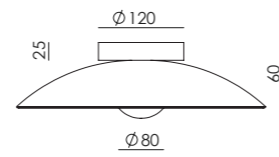
ES	
MATERIALES	Acero
ACABADOS	Metal Oro envejecido Negro
ESPECIFICACIONES (UE)	E27 15 W Max (No incluido) 220-240 V, 50/60 Hz
CLASIFICACIÓN ENERGÉTICA	E
IMAGE BULB	B035 ORO
MEDIDAS	Diámetro 250 mm Diámetro 560 mm

ICONS



DANA

A1098/35



AC Studio
Design 2025

EN MATERIALS	Metal Resin	
FINISHES	Body Matt white	Disc See palette colours
SPECIFICATIONS (UE)	Bulb G9 dimmable 5W 450lm 2700K 220-240V 50/60 Hz	
ENERGY LABEL	F	

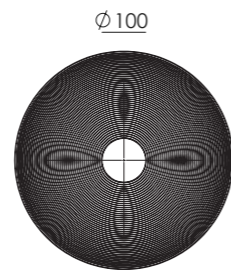
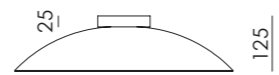
ICONS IP20 CE RoHS LED A++



Colour image:
Taupe

DANA

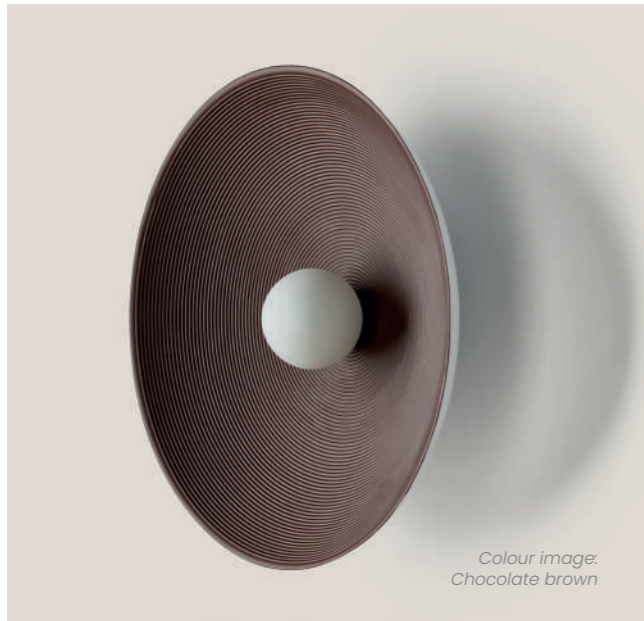
A1098/50



AC Studio
Design 2025

EN MATERIALS	Metal Resin	
FINISHES	Body Matt white	Disc See palette colours
SPECIFICATIONS (UE)	Bulb G9 dimmable 5W 450lm 2700K 220-240V 50/60 Hz	
ENERGY LABEL	F	

ICONS IP20 CE RoHS LED A++



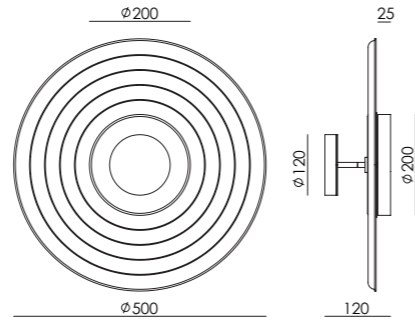
Colour image:
Chocolate brown



Colour image:
Saphire

TICO

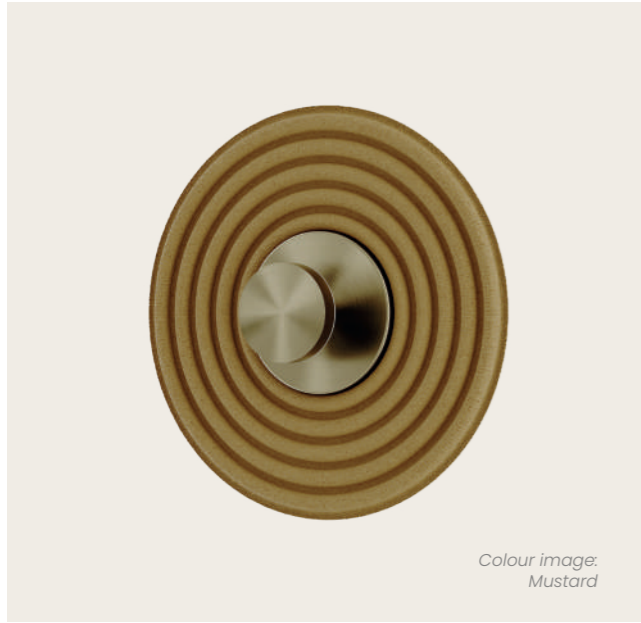
A1095/50



AC Studio
Design 2024

EN	MATERIALS Metal / Marble / Acoustic disc	
FINISHES	Body Matt black Aged gold Disc See palette colours	Accessory Black marble Aged gold metal
SPECIFICATIONS (UE)	Integrated Dimmable LED 9W 950lm 2700K 220-240V ·50/60 Hz	
ENERGY LABEL	F	

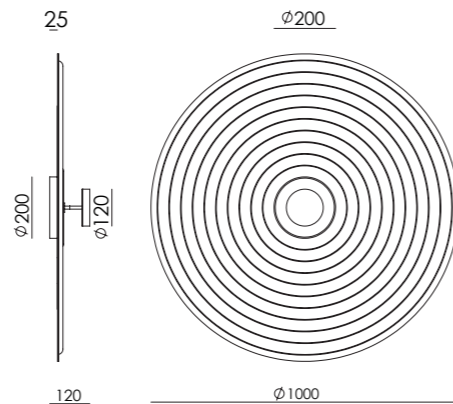
ICONS



Colour image:
Mustard

TICO

A1095/100



AC Studio
Design 2024

EN	MATERIALS Metal / Marble / Acoustic disc	
FINISHES	Body Matt black Aged gold Disc See palette colours	Accessory Black marble Aged gold metal
SPECIFICATIONS (UE)	Integrated Dimmable LED 13W 950lm 2700K 220-240V ·50/60 Hz	
ENERGY LABEL	F	

ICONS



Colour image:
Terracota

RANG

A1093

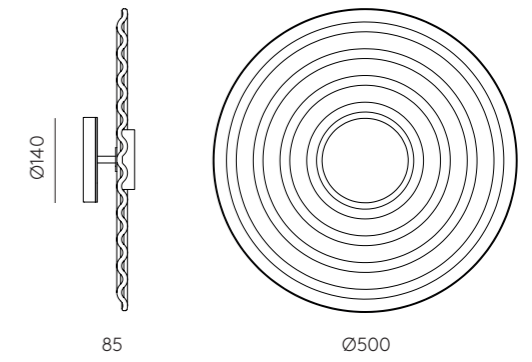
JF Sevilla
Design 2022



EN	MATERIALS Steel / Resin	
FINISHES	Steel Matt Brass Chrome Black	Resin White Colour palette
SPECIFICATIONS (UE)	Integrated led 9W – 2700K TRIAC Dimmable 24V·220-240V, 50/60Hz 900lm	
ENERGY LABEL	F	

ES	MATERIALES Acero / Resina	
ACABADOS	Steel Oro Mate Cromo Negro	Resina Blanco Paleta de colores
ESPECIFICACIONES (UE)	Led integrado 9W – 2700K Regulable TRIAC 24V·220-240V, 50/60Hz 900lm	
ETIQUETA ENERGÉTICA	F	

ICONS



VASTER

A1092

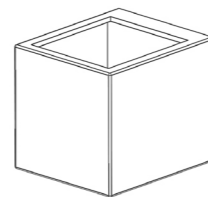
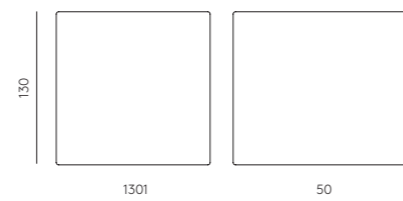


Pepe Fornas
Design 2017



EN	MATERIALS	Steel / Alabaster
	FINISHES	Metal Chrome
	SPECIFICATIONS (UE)	Bulb G9 5W 2700K (Included) 220-240 V, 50/60 Hz 450lm
	ENERGY LABEL	E

ES	MATERIALES	Acero / Alabastro
	ACABADOS	Metal Cromo
	ESPECIFICACIONES (UE)	Bombilla G9 5W 2700K (Incluida) 220-240 V, 50/60 Hz 450lm
	CLASIFICACIÓN ENERGÉTICA	E



ICONS



GHABAN

A1086 + 1086

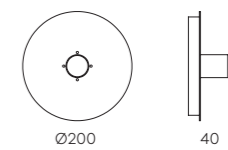
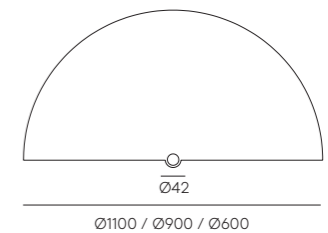


Pepe Fornas
Design 2024



EN	MATERIALS	Steel / Fabric	
	FINISHES	Metal Black	Fabric Check color palette
	SPECIFICATIONS (UE)	E27 Max. 15W (Not included) 220-240V, 50/60Hz	
	ENERGY LABEL	E	

ES	MATERIALES	Acero / Textil	
	FINISHES	Metal Negro	Textil Consultar paleta de colores
	SPECIFICACIONES (UE)	E27 Max. 15W (No incluida) 220-240 V, 50/60 Hz	
	CLASIFICACIÓN ENERGÉTICA	E	



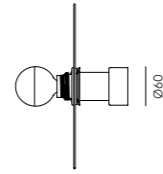
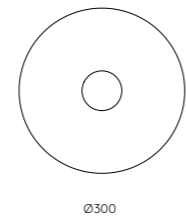
ICONS



Colour image:
Saphire, green tea

NOLD

A1053+1226

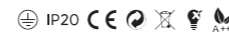


Pepe Fornas
Design 2017

50 / 100 / 150 / 200 / 250

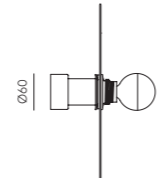
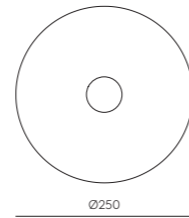
MATERIALS	Steel / Glass	
FINISHES	Metal Shiny Gold / Chrome / White / Black	Glass Amber / Pink Dark Blue / Turquoise / Brown
SPECIFICATIONS (UE)	E27 Max. 15W (Not included) 220-240 V, 50/60 Hz	
ENERGY LABEL	E	
BULB RECOMMENDED	B038/CROMO	

ICONS



FEST

A1053+1223



JF Sevilla
Design 2016

50 / 100 / 150 / 200 / 250

MATERIALS	Steel / Glass	
FINISHES	Metal Shiny Gold / Chrome / White / Black	Glass Amber / Pink / Dark Blue / Turquoise / Brown
SPECIFICATIONS (UE)	E27 Max. 15W (Not included) 220-240 V, 50/60 Hz	
ENERGY LABEL	E	
BULB RECOMMENDED	B038/CROMO	

ICONS



LAOS

A1053+1141



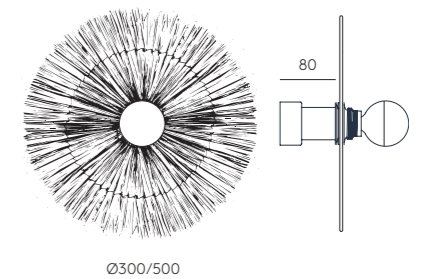
JF Sevilla
Design 2020



MATERIALS	Steel / Natural Dried Grass	
FINISHES	Metal Shiny Gold Chrome White Black	Wheel Dried Grass
SPECIFICATIONS (UE)	E27 Max. 15W (Not included) 220-240 V, 50/60 Hz	
ENERGY LABEL	E	
BULB	B035 (Ø95) B038 (Ø55)	

MATERIALES	Acero / Paja Natural	
ACABADOS	Metal Oro Brillo Cromo Blanco Negro	Rueda Paja
ESPECIFICACIONES (UE)	E27 Max. 15W (No incluida) 220-240 V, 50/60 Hz	
CLASIFICACIÓN ENERGÉTICA	E	
BOMBILLA	B035 (Ø95) B038 (Ø55)	

ICONS



* Composition 3 pieces (each piece sold separately)/
Composición de 3 piezas (se vende por separado)

TAN TAN

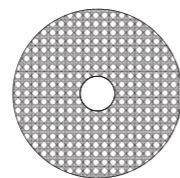
A1053+1125



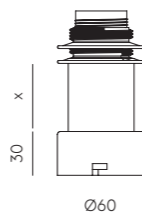
Fornasevi
Design 2018



EN	MATERIALS	Steel / Rattan										
	FINISHES	<table border="0"> <tr> <td>Metal</td> <td>Wheel</td> </tr> <tr> <td>Shiny Gold</td> <td>Natural/Black</td> </tr> <tr> <td>Chrome</td> <td></td> </tr> <tr> <td>White</td> <td></td> </tr> <tr> <td>Black</td> <td></td> </tr> </table>	Metal	Wheel	Shiny Gold	Natural/Black	Chrome		White		Black	
Metal	Wheel											
Shiny Gold	Natural/Black											
Chrome												
White												
Black												
	SPECIFICATIONS (UE)	E27 Max. 15W (Not included) 220-240 V, 50/60 Hz										
	ENERGY LABEL	E										
	BULB	B035 (Ø95) B038 (Ø55)										
ES	MATERIALES	Acero / Ratán										
	ACABADOS	<table border="0"> <tr> <td>Metal</td> <td>Rueda</td> </tr> <tr> <td>Oro Brillo</td> <td>Natural/Negro</td> </tr> <tr> <td>Cromo</td> <td></td> </tr> <tr> <td>Blanco</td> <td></td> </tr> <tr> <td>Negro</td> <td></td> </tr> </table>	Metal	Rueda	Oro Brillo	Natural/Negro	Cromo		Blanco		Negro	
Metal	Rueda											
Oro Brillo	Natural/Negro											
Cromo												
Blanco												
Negro												
	ESPECIFICACIONES (UE)	E27 Max. 15W (No incluida) 220-240 V, 50/60 Hz										
	CLASIFICACIÓN ENERGÉTICA	E										
	BOMBILLA	B035 (Ø95) B038 (Ø55)										



Ø300 / Ø600 / Ø900



30

Ø60

* Each piece sold separately. /
Se vende por separado.

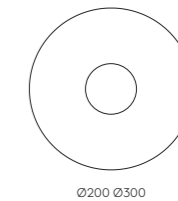
KASSY

A1053+1097

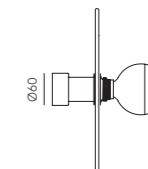


Fornasevi
Design 2018

EN	MATERIALS	Steel / Ceramic		
	FINISHES	<table border="0"> <tr> <td>Metal</td> </tr> <tr> <td>Shiny Gold / Chrome / White / Black</td> </tr> </table>	Metal	Shiny Gold / Chrome / White / Black
Metal				
Shiny Gold / Chrome / White / Black				
	SPECIFICATIONS (UE)	E27 Max. 15W (Not included) 220-240 V, 50/60 Hz		
	ENERGY LABEL	E		
	BULB IMAGE	B038/GOLD		
	DISC SIZE	200 - 300 mm		



Ø200 Ø300



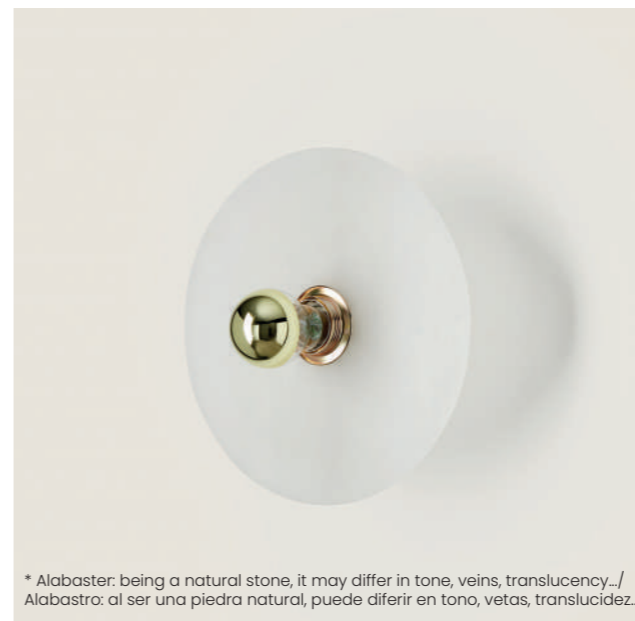
Ø60

50 100 150 200 250

ICONS IP20 CE RoHS WEEE A++

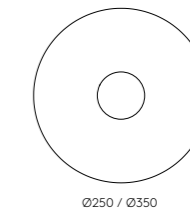
ALBA

A1053+1096

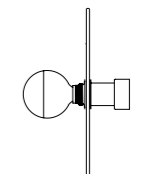


JF Sevilla
Design 2018

EN	MATERIALS	Steel / Alabaster		
	FINISHES	<table border="0"> <tr> <td>Metal</td> </tr> <tr> <td>Shiny Gold / Chrome / White / Black</td> </tr> </table>	Metal	Shiny Gold / Chrome / White / Black
Metal				
Shiny Gold / Chrome / White / Black				
	SPECIFICATIONS (UE)	E27 Max. 15W (Not included) 220-240 V, 50/60 Hz, IP20, Class I		
	ENERGY LABEL	E		
	BULB IMAGE	B038/ORO		
	DISC SIZE	250 - 350 mm		



Ø250 / Ø350



Ø60

50 100 150 200 250

ICONS IP20 CE RoHS WEEE A++

* Alabaster: being a natural stone, it may differ in tone, veins, translucency.../
Alabastro: al ser una piedra natural, puede diferir en tono, vetas, translucidez...

WAVE

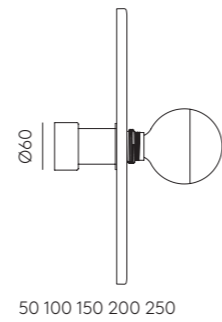
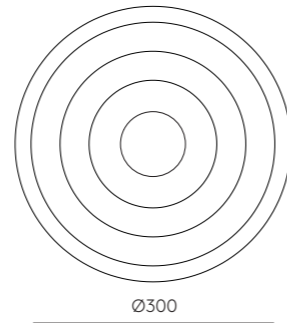
A1053+1094/ 30



Fornasevi
Design 2022



EN	MATERIALS	Steel / Alabaster
	FINISHES	Metal Shiny Gold Chrome White Black
	SPECIFICATIONS (UE)	E27 Max. 15W (Not included) 220-240V, 50/60Hz
	ENERGY LABEL	E



ES	MATERIALES	Acero / Alabastro
	ACABADOS	Metal Oro Brillo Cromo Blanco Negro
	ESPECIFICACIONES (UE)	E27 Max. 15W (No incluida) 220-240 V, 50/60 Hz
	CLASIFICACIÓN ENERGÉTICA	E

ICONS



* Alabaster: being a natural stone, it may differ in tone, veins, translucency.../
Alabastro: al ser una piedra natural, puede diferir en tono, vetas, translucidez...

HABAN

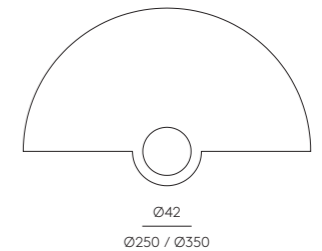
A1053+1088



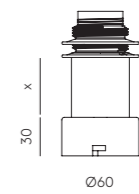
JF Sevilla
Design 2019



EN	MATERIALS	Steel
	FINISHES	Support Black Gold Chrome White
		Fabrics Check color palette
	SPECIFICATIONS (UE)	E27 Max. 15W (Bulb not included) 220-240 V, 50/60 Hz
	ENERGY LABEL	E
	BULB RECOMMENDED	B038/ORO



ES	MATERIALES	Acero
	ACABADOS	Soporte Negro Oro Cromo Blanco
		Abanicos Consultar paleta de colores
	ESPECIFICACIONES (UE)	E27 Max. 15W (Bombilla no incluida) 220-240 V, 50/60 Hz
	CLASIFICACIÓN ENERGÉTICA	E
	BOMBILLA RECOMENDADA	B038/ORO



ICONS



Tables

The tabletop designs NAC110, NAC113, NAC114, NAC116, NAC117 and NAC130/2 have multipurpose use; they can be manufactured as table lamps and also as bedside tables or side tables for the placement of the lamps, themselves. Available in glass as well as ceramic, in any colour from the NCS colour chart.

Los diseños de sobremesas NAC110, NAC113, NAC114, NAC116, NAC117 y NAC130/2 tienen un uso polivalente, pueden fabricarse como lámpara de sobremesa y además, como mesitas para la colocación de las propias lámparas. Tanto en vidrio como en cerámica, en cualquier color de la carta de NCS.



MESITA NAC114



MESITA NAC110



MESITA NAC116

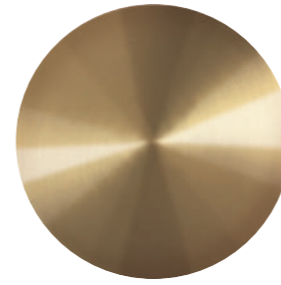


MESITA NAC117

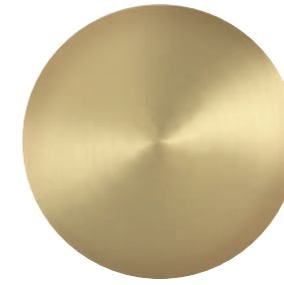
Finishes

METAL COLOR PALETTE

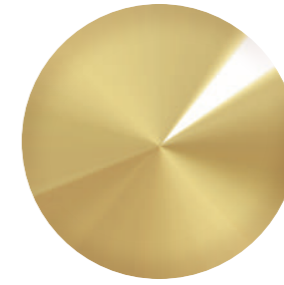
PALETA DE COLOR METAL



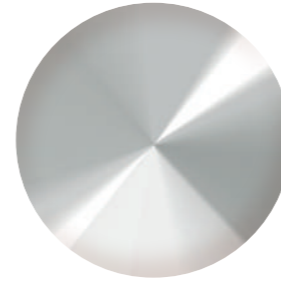
AGED GOLD
ORO ENVEJECIDO



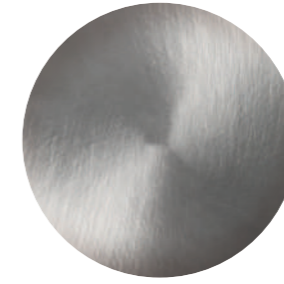
MATT BRASS
ORO MATE



SHINY GOLD
ORO BRILLO



CHROME
CROMO



SATIN NICKEL
NÍQUEL SATINADO

LEATHER

CUERO



BLACK
NEGRO



ORANGE
NARANJA



LIGHT BROWN
MARRÓN CLARO



BROWN
MARRÓN

COLOR GLASS FEST·NOLD

COLORES DE CRISTALES FEST·NOLD



PINK
ROSA



AMBER
ÁMBAR



BROWN
MARRÓN



TURQUOISE
TURQUESA



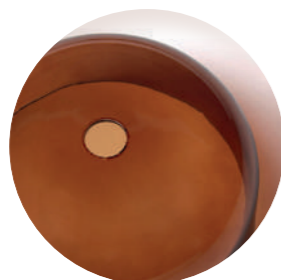
DARK BLUE
AZUL OSCURO

COLOR GLASS BETTY·IPON·CLOUD

COLORES DE CRISTALES BETTY·IPON·CLOUD



BLUE
AZUL



AMBER
ÁMBAR



GREENISH BROWN
MARRÓN VERDOSO



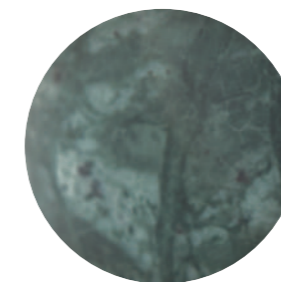
GREY
GRIS

MARBLE

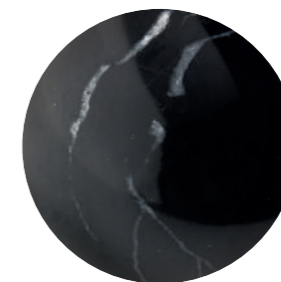
MÁRMOL



WHITE
BLANCO



GREEN
VERDE



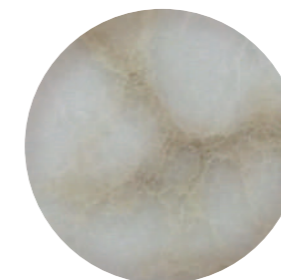
BLACK
NEGRO



BROWN
MARRÓN



TRAVERTINE
TRAVERTINO



ALABASTER
ALABASTRO



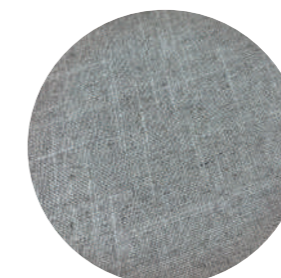
ALABASTER WAVE
ALABASTRO ONDULADO

LAMPSHADE FABRICS

TEJIDOS DE PANTALLAS



WHITE LINEN
LINO BLANCO



DARK LINEN
LINO OSCURO



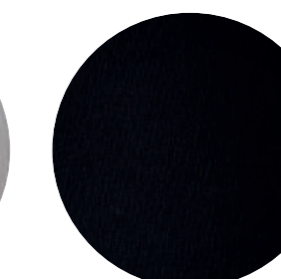
LIGHT LINEN
LINO CLARO



CREMA
CREAM



WHITE
BLANCO



BLACK
NEGRO

GLASS NCS

NCS EN VIDRIO

The colors in the palette are approximate. Consult NCS references.

Los colores de la paleta son aproximados. Consultar los códigos en la carta NCS.

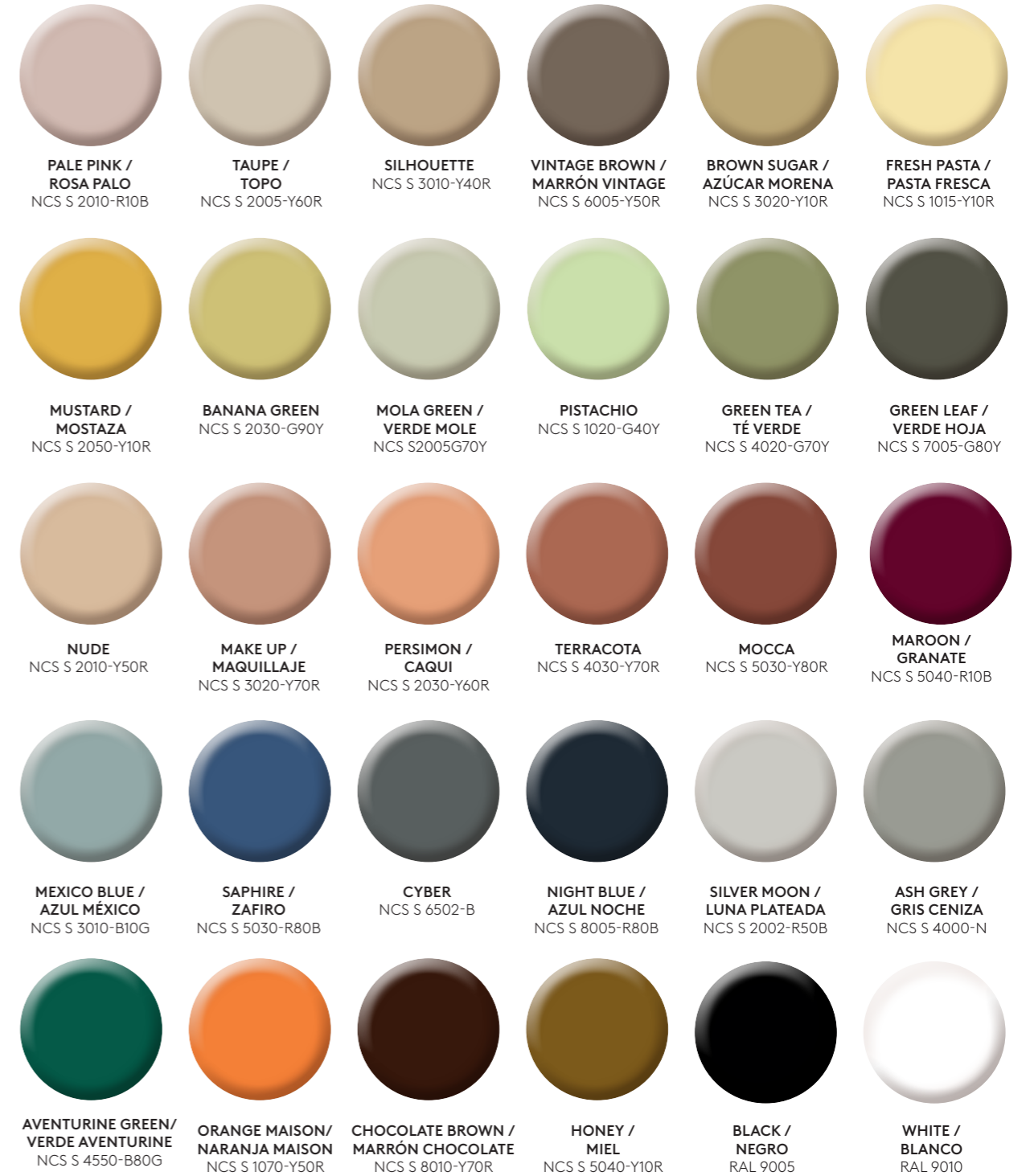


CERAMIC NCS

NCS EN CERÁMICA

The colors in the palette are approximate. Consult NCS references.

Los colores de la paleta son aproximados. Consultar los códigos en la carta NCS.



Accesorios

ACCESORIES CATALOGUE

CATÁLOGO DE ACCESORIOS

Below is our catalog of recommended accessories for use in our lamps.

For more information on screens and accessories, please see our price list.

A continuación se ofrece nuestro catálogo de accesorios recomendados para su uso en nuestras luminarias.

Para más información sobre pantallas y accesorios, por favor consulte nuestra tarifa.



ACCESORIES CATALOGUE

CATÁLOGO DE ACCESORIOS

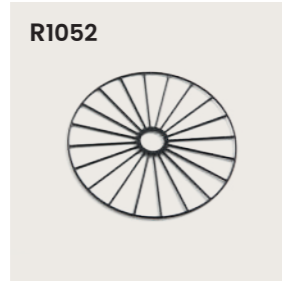


1038

FINISH
GOLD
CHROME
BLACK
WHITE
MATT BRASS

MATERIAL
METAL

SIZES
Ø150
Ø250
Ø350



R1052

FINISH
GOLD
CHROME
BLACK
WHITE

MATERIAL
METAL

SIZES
Ø300
Ø600
Ø900



1088

FINISH
WHITE
BLACK
COLOR,
CONSULT US

MATERIAL
METAL

SIZES
Ø250
Ø350



1089

FINISH
GOLD
CHROME
BLACK
WHITE
MATT BRASS

MATERIAL
METAL

SIZES
Ø250



1093/50

FINISH
WHITE

MATERIAL
RESIN

SIZES
SEE COLOUR
PALLETTE



1094/30

FINISH
NATURAL

MATERIAL
ALABASTER

SIZES
Ø300



1096

FINISH
NATURAL

MATERIAL
ALABASTER

SIZES
Ø250
Ø350



1097

FINISH
CERAMIC

MATERIAL
CERAMIC

SIZES
Ø200
Ø300



1125

FINISH
NATURAL
BLACK

MATERIAL
RATTAN

SIZES
Ø300
Ø600
Ø900



1132

FINISH
WHITE
BLACK
COLOR,
CONSULT US

MATERIAL
RESIN

SIZES
Ø500



1141

MATERIAL
DRIED GRASS

SIZES
Ø300
Ø500



1143 / 1144

FINISH
NATURAL

MATERIAL
BAMBOO

SIZES
Ø400
Ø500



1160

FINISH
BLACK

MATERIAL
NATURAL FIBER

SIZES
Ø300
Ø600

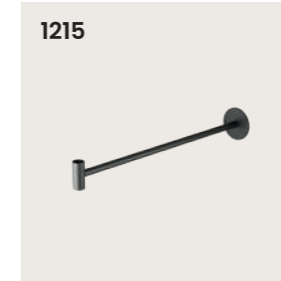


1163

FINISH
GOLD
CHROME
MATT BLACK
MATT WHITE

MATERIAL
METAL WIRE

SIZES
Ø300
Ø520



1215

DESCRIPCIÓN
Soporte para fijación de colgantes a pared

DESCRIPTION
Support for wall hanging fixing

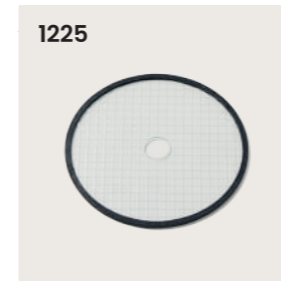


1223

FINISH
PINK
TURQUOISE
DARK BLUE
AMBER
BROWN

MATERIAL
GLASS

SIZES
Ø250



1225

FINISH
TEXTURED

MATERIAL
GLASS

SIZES
Ø300
Ø500



1289

FINISH
GOLD
CHROME
BLACK
WHITE
ALABASTER

MATERIAL
ALABASTER
METAL

SIZES
Ø150
Ø250
Ø350



C1010

FINISH
BLACK

MATERIAL
METAL

BULB
E27

SIZES
3M CABLE



C1010

FINISH
GOLD

MATERIAL
METAL

BULB
E27

SIZES
3M CABLE



A1053

FINISH
SHINNY GOLD
CHROME
WHITE
BLACK

MATERIAL
METAL

BULB
E27

DIMENSIONS (x)
5 CM
10 CM
15 CM
20 CM
25 CM

MATERIAL
METAL

BULB
E27



1226

FINISH
PINK
TURQUOISE
DARK BLUE
AMBER
BROWN

MATERIAL
GLASS

SIZES
Ø300



1195

FINISH
CRUMPLED METAL

MATERIAL
METAL

SIZES
Ø350
Ø500

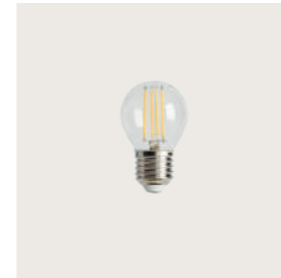
Bulbs

BULBS CATALOGUE

CATÁLOGO DE BOMBILLAS

Below is our catalog of recommended bulbs for use in our lamps.

A continuación se ofrece nuestro catálogo de bombillas recomendadas para su uso en nuestras luminarias.



B223

45X80

E27
4W
420 lm
2700K



B211

60X150

E27
7W / 750 lm / 3000K
9W / 810 lm / 2700K
Regulable / Dimmable



B162

50X58

GU10
5W
420 lm
3000K / 5000K
Smart Wifi / CCT



B161

50X58

5W y 8W
2700K (5W) / 3000K (8W)
Regulable / Dimmable



B116-2

45X80

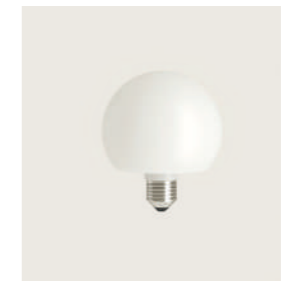
E14
5W
420 lm
2700K
Regulable / Dimmable



B057

60X150

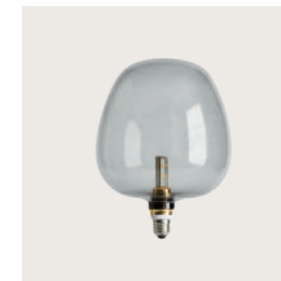
E27
3W
350lm
2700K
Regulable / Dimmable



B056

125X130

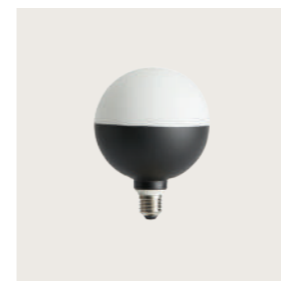
E27
3W
350lm
2700K
Regulable / Dimmable



B055

230X207

E27
3W
350lm
2700K Regulable / Dimmable



B054

125X170

E27
3W
270 lm
2700K
Regulable / Dimmable



B053

125X170

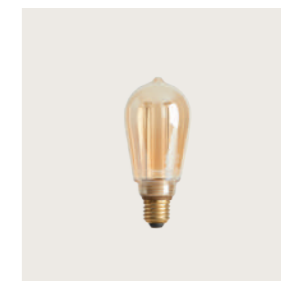
E27
3W
270 lm
2700K



B051

95X130

E27
3,8W
2700K
Control WI-FI



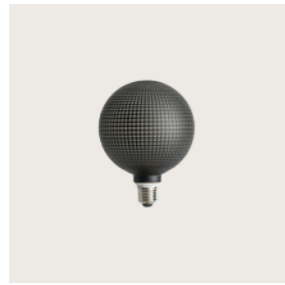
B050

64X140

E27
2,5W
90 lm / 100 lm / 110 lm
2000K / 3000K / 4000K
Regulable / Dimmable



B048 200X235
G200 E27
3W
2700K
Puntos Negros
Regulable / Dimmable



B047 125X155
G125 E27
3W
2700K
Puntos Negros
Regulable / Dimmable



B052 95X130
GU10
5W
420 lm
2700K



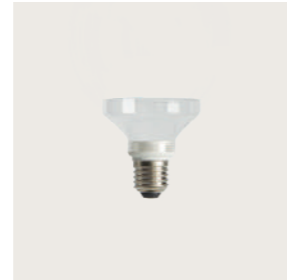
B046 80X140
E27
3W
270lm
2700K
Regulable / Dimmable



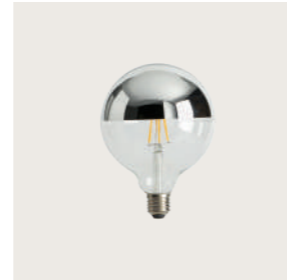
B043 330
E27
4W
130 lm
Led 1800K



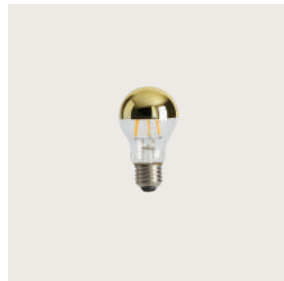
B042 125X155
E27
4W
130 lm
Led 1800K



B041 100X110
E27
COB 3W
350 lm
2700K
Regulable / Dimmable



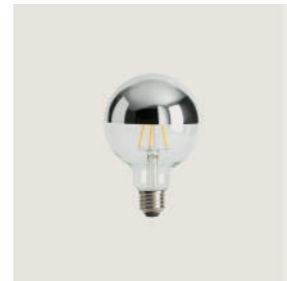
B039 125X170
E27
6W
806 lm
2700K
Gold
Chrome



B038 55X90
E27
4W
550 lm
2700K
Regulable / Dimmable
Gold
Chrome



B037 125X180
E27
COB 3W
350 lm
2700K
Regulable / Dimmable



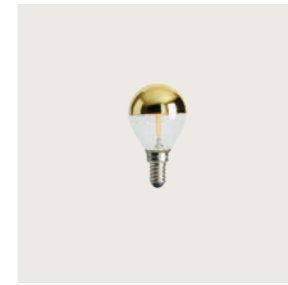
B035 95X130
E27
6W Led
806 lm
2700K
Regulable / Dimmable
Gold
Chrome



B034 140X200
E27
COB 3W
350 lm
2700K
Regulable / Dimmable
Opal



B033 140X200
E27
COB 3W
350 lm
2700K
Regulable / Dimmable
Clear



B030 45X80
E14
4W
450 lm
2700K
Regulable / Dimmable
Gold
Chrome



B028 125X180
E27
COB 3W
350 lm
2700K
Regulable / Dimmable
Clear



B027 125X180
E27
COB 3W
350 lm
2700K
Regulable / Dimmable
Clear



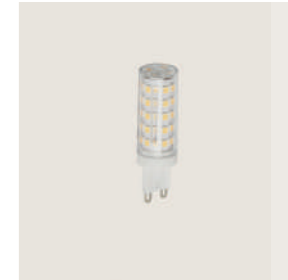
B023 125X200
E27
4W Led
300 lm
2700K
Regulable / Dimmable
Clear



B020 95X130
E27
4W Led
300 lm
2200K
Regulable / Dimmable
Clear



B019 64X140
E27
4W Led
300 lm
2200K



B005 15X60
G9 - 3,5W - 300lm - 3000k
Regulable / Dimmable
5W- 450 lm - 2700K
Regulable / Dimmable
8W - 850 lm - 2700K
No regulable / No dimmable

GENERAL INFORMATION INFORMACIÓN GENERAL

The descriptions and dimensions of the items in this catalogue are indicative and may be modified for the purpose of technical or design improvements. We reserve the right to cancel or change all models without prior notice. All items meet the CE Class 1 and class 2 safety regulations for home lighting appliances. The finishings and technical specifications listed here are for the European market and may vary elsewhere. Do not use stronger bulbs that recommended, and always clean lamps with a soft dry cloth. Metal polish will damage the protective finishings.

Las descripciones y medidas de los productos del presente catálogo son orientativas, pudiendo por tanto ser modificadas, a fin de mejorar las características técnicas o de diseño. La empresa se reserva el derecho de anular o modificar cualquier modelo sin previo aviso. Todos los modelos cumplen las normas exigidas por la CE para iluminación de uso doméstico y sus características vienen determinadas por las clase 1 y la clase 2. Los acabados y las especificaciones técnicas corresponden a los productos que se suministran en Europa, pudiendo estos variar en otros mercados. Para una buena conservación de las lámparas, no usar bombillas de potencia superior a las recomendadas y limpiar solamente con un paño seco. No usar limpia metales ya que dañan los barnices protectores que garantizan la duración del acabado.

IMAGES IMÁGENES

Some images shown in this catalogue correspond to renders and are likely to have slight changes in measurements and finishes with respect to the final product.

Algunas imágenes mostradas en este catálogo corresponden a renders y son susceptibles de tener ligeros cambios en medidas y acabados respecto al producto final.

ICONS ICONOS



Tipo I
Class I



Tipo II
Class II



Tipo III
Class III



Reciclable
Recyclable



Aparato electrónico no reciclable
Non-recyclable Electronic device



Certificación Europea
European Certification



Ajustable
Adjustable



Ajustable izquierda - derecha
Adjustable left - right



Ajustable arriba - abajo
Adjustable up - down



Bombilla incluida
Bulb included



Bombilla no incluida
Bulb not included



Bombilla no reciclable
Non-recyclable bulb



Clase energética
Energy class



Regulador de intensidad
Dimmer



Se enciende al tocar
Touch active

IP20

Protección frente a sólidos de tamaño superior a 12mm y ninguna protección de líquidos
Protection against solids larger than 12mm and no protection from liquids

CONDICIONES GENERALES

1. PRECIOS

- 1.1. Los indicados en esta tarifa, son sin IVA ni recargo de equivalencia que proceda.
- 1.2. Los precios de las lámparas no incluyen bombillas o pantallas, salvo que este indicado lo contrario.
- 1.3. Esta tarifa de precios anula todas las anteriores.

2. PEDIDOS

- 2.1. Es imprescindible enviar los pedidos o modificaciones por correo electrónico, no se aceptarán pedidos por teléfono o modificaciones.

3. CONDICIONES DE PAGO

- 3.1. La forma de pago general es pago anticipado. En el caso de cambio de pago a giro o similar, el cliente deberá remitir con su firma y sello el formulario de domiciliación SEPA.

- 3.2. En las cuentas de los clientes con riesgo comercial aprobado, las condiciones particulares de pago, se acordarán individualmente con el responsable comercial de cada zona, y serán aprobadas por el departamento financiero.

- 3.2.1 En ningún caso excederán los siguientes límites:

Vencimiento 45 días con giro bancario domiciliado se aceptan días de pago fijos a propuesta del cliente. Para aquellos clientes que no puedan aceptar cargos por GIRO bancario, la forma de pago máxima será transferencia o pagaré a 30 días. Se aceptan días de pagos fijos a propuesta del cliente.

- 3.3. Los pedidos de proyectos que por su volumen deban ser fabricados, se deberá abonar un 30% o 50% del valor del pedido, como confirmación e inicio de producción.

- 3.4. El cliente no está autorizado a deducir, de los vencimientos, ningún importe en concepto de reclamación. A menos que les hayamos autorizado a ello por escrito.

- 3.5. En el caso de impagos, AROMAS se reserva el derecho de no aceptar o enviar pedidos hasta desbloquear la cuenta nuevamente.

4. CONDICIONES DE TRANSPORTE

- 4.1. Los pedidos superiores a 350€ netos se enviarán a portes pagados a territorio nacional. Para pedidos de importes inferiores, los portes se cargarán en factura con un mínimo de 9€ o el 7% del valor de la mercancía. En el caso de Portugal, los portes pagados son por pedidos superiores a 600€ netos. Para pedidos de importes inferiores, los portes son de 30€.

- 4.2. Los portes de los pedidos solicitados por transporte urgente, serán a cargo del cliente, previa aceptación del mismo, sea cual sea su importe.

5. INCIDENCIAS DEL TRANSPORTE

- 5.1. Si se produce alguna anomalía, daños visibles, embalaje dañado o se intuyen daños ocultos, deberá hacerse constar por escrito en el albarán del transporte, en el momento de la recepción de la mercancía. Además, se debe notificar a Aromas del Campo, en las 24h posteriores a la entrega, vía correo electrónico, incluyendo copia del albarán y fotos.

6. REPARACIONES

- 6.1. El presupuesto de reparación se realizará una vez la lámpara está en fábrica.
- 6.2. Los portes de las mercancías que se desea reparar serán a cargo del cliente.
- 6.3. Las lámparas que hace más de un año que están des-catalogadas, se puede solicitar el envío con cargo de recambio de las piezas en el caso de que estén disponibles.

7. DEVOLUCIONES

- 7.1. Solo se admiten devoluciones causadas por incidencia de producto y que haya sido autorizado previamente por Aromas del Campo.
- 7.2. Las devoluciones deben enviarse con su embalaje original, de lo contrario nuestro almacén rechazará la entrada de la mercancía.
- 7.3. Una vez verificado el producto por nuestro dpto. de calidad, en el caso de no conformidad, se cargará al cliente los gastos de reenvío y los recargos que se estimen oportunos. Pudiendo aplicar hasta un 15% de penalización en concepto de reembalaje.

8. VENTA ONLINE

- 8.1. Para poder ser distribuidor autorizado a vender y publicar luminarias de AROMAS DEL CAMPO a través del sitio web, es imprescindible haber firmado el acuerdo de venta Online.
- 8.2. Cualquier producto de AROMAS DEL CAMPO que se desee poner en soporte WEB debe cumplir unas condiciones de inserción.

9. CONDICIONES GENERALES

- 9.1. AROMAS DEL CAMPO se reserva el derecho a efectuar cualquier modificación y anulación de los productos del catálogo y la tarifa vigente sin preaviso alguno.
- 9.2. El cliente declara conocer y aceptar las condiciones de venta aquí descritas.

GENERAL CONDITIONS

1. PRICES

- 1.1. The given prices are the suggested retail prices without VAT.
- 1.2. The pricing do not include bulbs or shades except when mentioned.
- 1.3. This Price list nullify any other Price list.

2. ORDERS

- 2.1. All orders must be sent via email with reference codes, names, colors and if shades and bulbs are needed.

3. PAYMENT TERMS

- 3.1. All orders must be paid in advance by wire transfer with proforma number in description..
- 3.2. In case of orders that require customized products or for projects orders, the company will require total payment or 50% advanced payment.
- 3.3. Payment delays for holidays or festivities will not be accepted.
- 3.4. The delivery date is determined by the circumstances from the date in which the proforma is paid.
- 3.5. The client is not authorized to claim any incident if it is not in writing.
- 3.6. The company reserves right to deny orders if the client does not comply with payment commitments.

4. TRANSPORTATION

- 4.1. Transportation costs are calculated according to order and destination.
- 4.2. If client requires urgent shipment, additional costs will be applied.

5. CLAIMS

- 5.1. Any visible damage in packaging must be notified to shipping company upon receipt.
- 5.2. Claims will be accepted 5 working days after receiving order.
- 5.3. Claims must be sent via email to account manager with photos and description. If the above points are not met, the claim can be disqualified.
- 5.4. Claims will be accepted 5 working days after receiving order.
- 5.5. Damage claims are not included except if proved to be manufacturing flaw by AROMAS DEL CAMPO.

6. REPAIRS

- 6.1. If a third party wishes to repair a product before being returned to factory, it must be authorized by AROMAS DEL CAMPO.
- 6.2. The product must be packed correctly and in the original box.
- 6.3. Once the product is received in factory, an approximate price to repair will be issued.
- 6.4. Transportation costs will be covered by client.
- 6.5. In case the lamp has been discontinued, it can be repaired if the company has spare parts.
- 6.6. All repairs will be charged.

7. RETURNS

- 7.1. All returns must have approval by company, including claim cases.
- 7.2. For defective products, shipping company authorized by AROMAS will pick up correctly packed box.
- 7.3. We reserve right to charge additional repair costs if the returned package is damaged.
- 7.3. After product examination concludes that complaint was not justified, the company reserves right to charge extras.

8. WEB

- 8.1. In order to sell or publish any AROMAS DEL CAMPO product on the internet, an agreement must be signed.
- 8.2. The display of photographs of products or similar to AROMAS DEL CAMPO in websites must have specified authorization by the company.

9. GENERAL CONDITIONS

- 9.1. AROMAS DEL CAMPO reserves right to modify, without notice, prices in current catalogue and discontinue products.
- 9.2. Printing errors reserved.
- 9.3. Delivery dates are not complaining, AROMAS DEL CAMPO will attempt to fulfill them, however, cannot be held accountable under any case.
- 9.4. Discount rates can be modified at any moment.
- 9.5. Services offered by any company related to AROMAS DEL CAMPO distribution of products; like replacement of lamps, components, shipping of tester products, are covered by AROMAS DEL CAMPO.
- 9.6. All products are property of AROMAS DEL CAMPO until complete claim settlement.
- 9.7. Client accepts the conditions mentioned in this document.
- 9.8. AROMAS DEL CAMPO reserves right to declare a client account null if commercial agreement terms are not met.

AROMAS DEL CAMPO
Pol. Ind. l'Horta Vella
Calle Tintorers 45-47
46117 Bétera - Valencia - Spain

CONTACT
T. +34 962 737 953
M. aromas@aromasdelcampo.com
W. aromasdelcampo.com

ART DIRECTION · GRAPHIC · 3D · AI
PerezOchando

PHOTOGRAPHY
ángelsegurafoto<

PRINTED BY
Logik Graphics

© AROMAS DEL CAMPO LIGHTING S.L.U 2026

AROMAS DEL CAMPO

Calle Tintorers 45 y 47
46117 Betera · Valencia · Spain

CONTACT

+34 962 737 953
aromas@aromasdelcampo.com
aromasdelcampo.com