



Funivia

by

Carlotta de Bevilacqua

Artemide[®]

funivia

Funivia

Carlotta de Bevilacqua
2020



Funivia is a functional network of tangible and intangible relations that is free and inclusive and can evolve through the cooperation of its elements.

It starts out from the essential, with a “mountaineering” spirit, discovering a new level of freedom of light in spaces.

A rope, the cable that supplies energy, and the nails, the elements used to fix within space, form the basis to make great progress, going far beyond the limits dictated by the rigidity of standard systems.

→ PATENT OF INVENTION: ENERGETIC AND INTELLIGENT NET

→ PATENT OF INVENTION: SHARP



Artemide
App

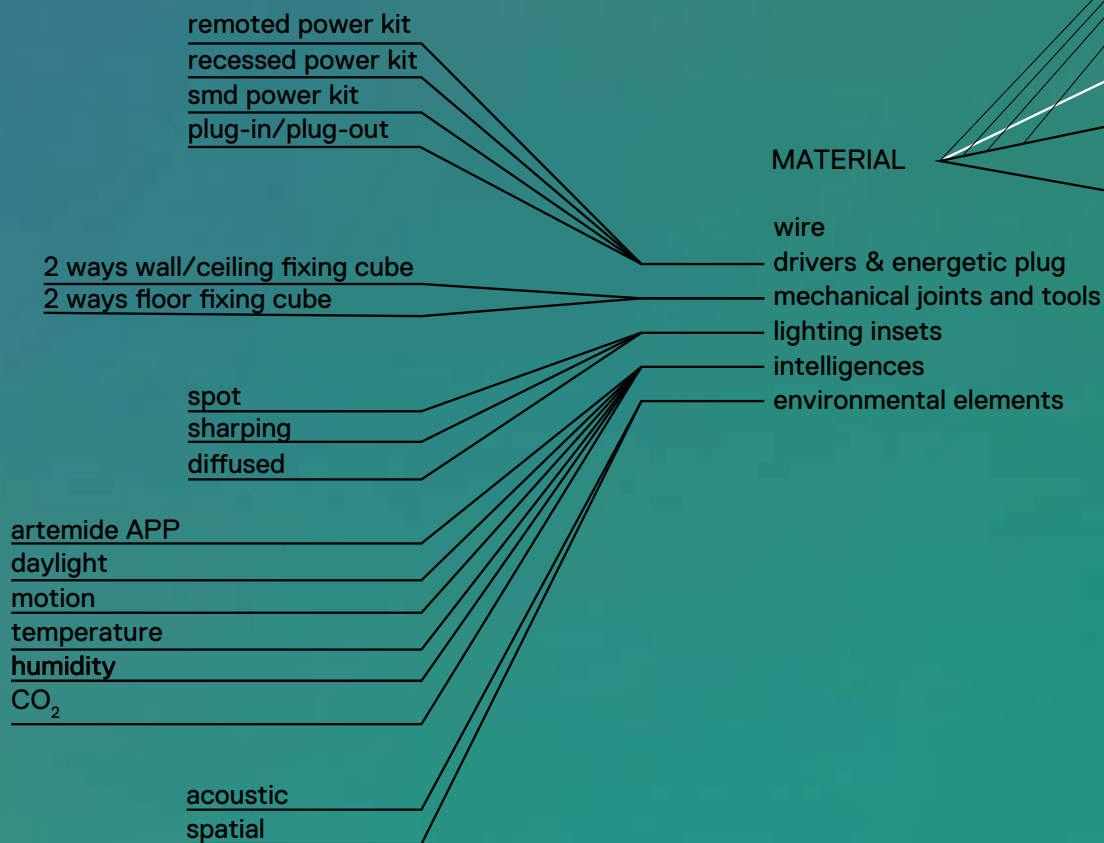


For further information on Funivia
↪ visit [artemide.com](https://www.artemide.com)

IN-CLUSION
as SYSTEMIC THINKING

creativity and innovation to
generate a Systemic Evolution

ENERGETIC
UNIVERSAL
IN-FRASTRUCTURE



SPATIAL

Funivia is an applied systemic principle

ENERGETIC

IMMATERIAL

in-teraction
in-clusion
in-terferences
in-telligence

ECOLOGICAL

LIVING NETWORK
to generate
new MEANINGS

MAPPING
QUALITIES &
PROPERTIES

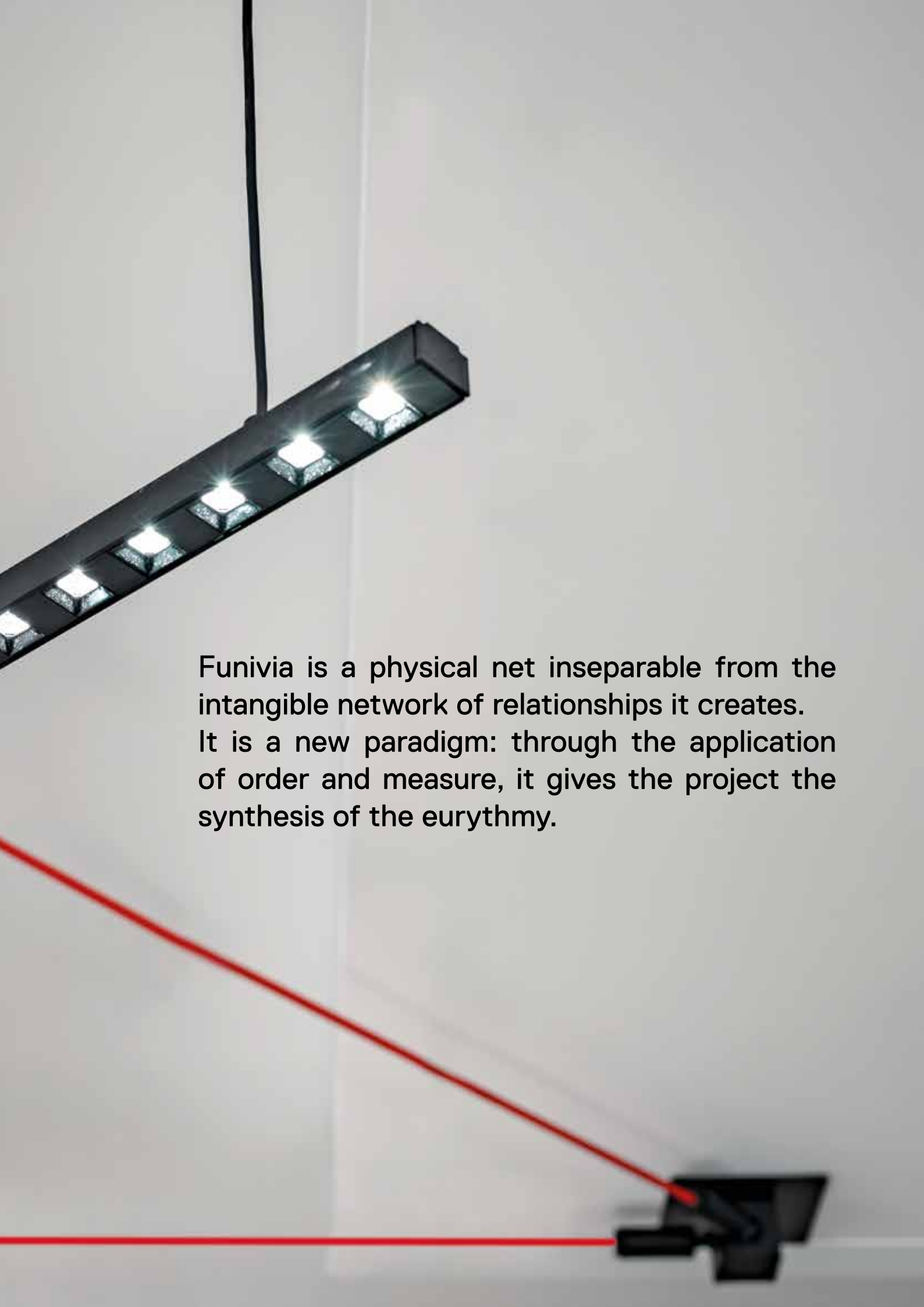
sharing of know-how
spatial freedom beyond architecture
flexibility in layout over time
transversality in application fields
lighting comfort in each space
easy managing
environmental qualities
cost saving
flat pack

MEASURING
QUANTITIES &
PARAMETERS

wire length
wire max mechanical load 200 kg
wire mechanical resistance
wire pull resistance
wire weight
max energetic load 320W
insets power
insets weight
insets lighting performance
sensors range
BLL signal range

COMMUNICATIVE





Funivia is a physical net inseparable from the intangible network of relationships it creates. It is a new paradigm: through the application of order and measure, it gives the project the synthesis of the eurythmy.



01 BEYOND FREEDOM

- SPACE: The cable runs uninterruptedly through space, overcoming the limits of the three dimensions. Draw infrastructural trajectories according to Cartesian geometries.
- TIME: can fit into the space at any time. It is an open system: integrable, incremental and scalable.
- ENERGY AND SIGNAL DISTRIBUTION: from a single power point can run endlessly. It weaves energy plots and binary networks of intelligences without limits of distance but only of power.

02 NEVERENDING MATERIAL + IMMATERIAL MESHWORK

- The physical network responds to quantities, measure and constraints calculated to ensure balance of the system. The compensation between forces and loads translates a proportional rhythm between the laws of gravity, static and dynamics.
- The intangible network of intelligences opens a dialogue between its elements and the environment in which they are inserted. The signal comes carried by the nodes of the network itself, giving the infrastructure maximum lightness.
- The network of environmental qualities generated shifts physical measure into quality of life.



03 UNIVERSAL INCLUSIVITY

The light elements are connected to the cable via a “bridge” element, a sort of electricity connection that mechanically fixes the appliance and takes the energy from the cable to power it. The system is inclusive, housing products that already exist; the cable connection module is a universal system that translates energy into a “Esperanto” of light.

04 SUSTAINABILITY

In Funivia, innovation is a sustainable dialogue that overcomes the limits of all spaces. It is a principle that is sustainable on a production level, in distribution, installation, consumption, use and the integration of existing elements, without necessarily having to create additional new products. Funivia breaks a common scheme to existing lighting systems, relegating the rigidity of fixed modules (in space, stock and production) to a thing of the past.



**Funivia
is powered at 48 Vdc**

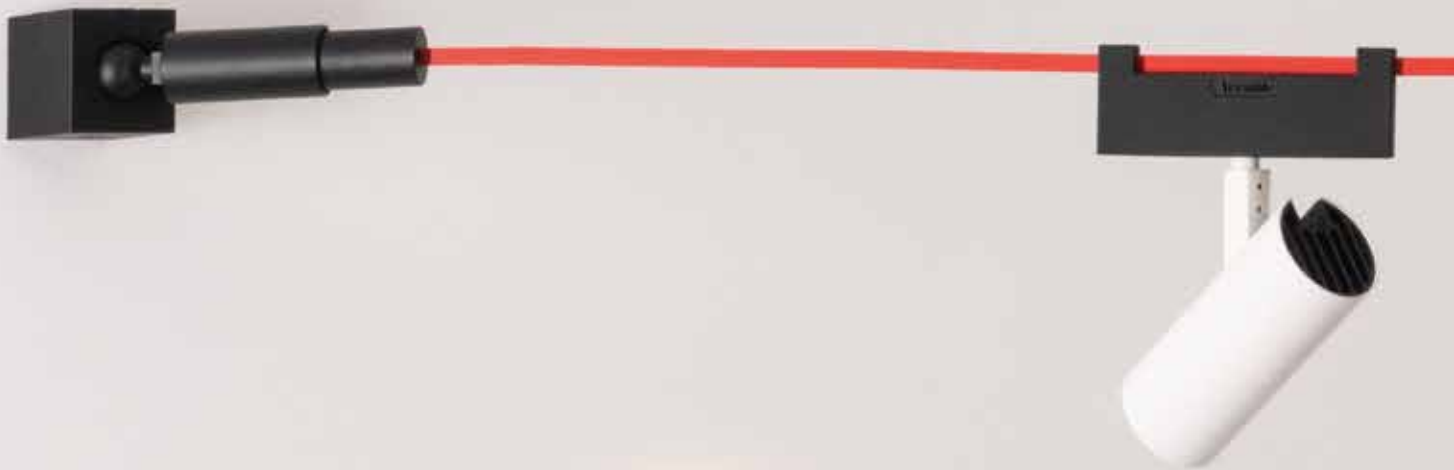


Funivia infrastructure





Energetic and intelligent net



The cable, with a special minimum section that can withstand mechanical tension and thermal stress, is the channel that distributes the system's energy and the key element the lighting appliances connect to.



Energetic and intelligent net

Cable reinforced with aramid fiber*

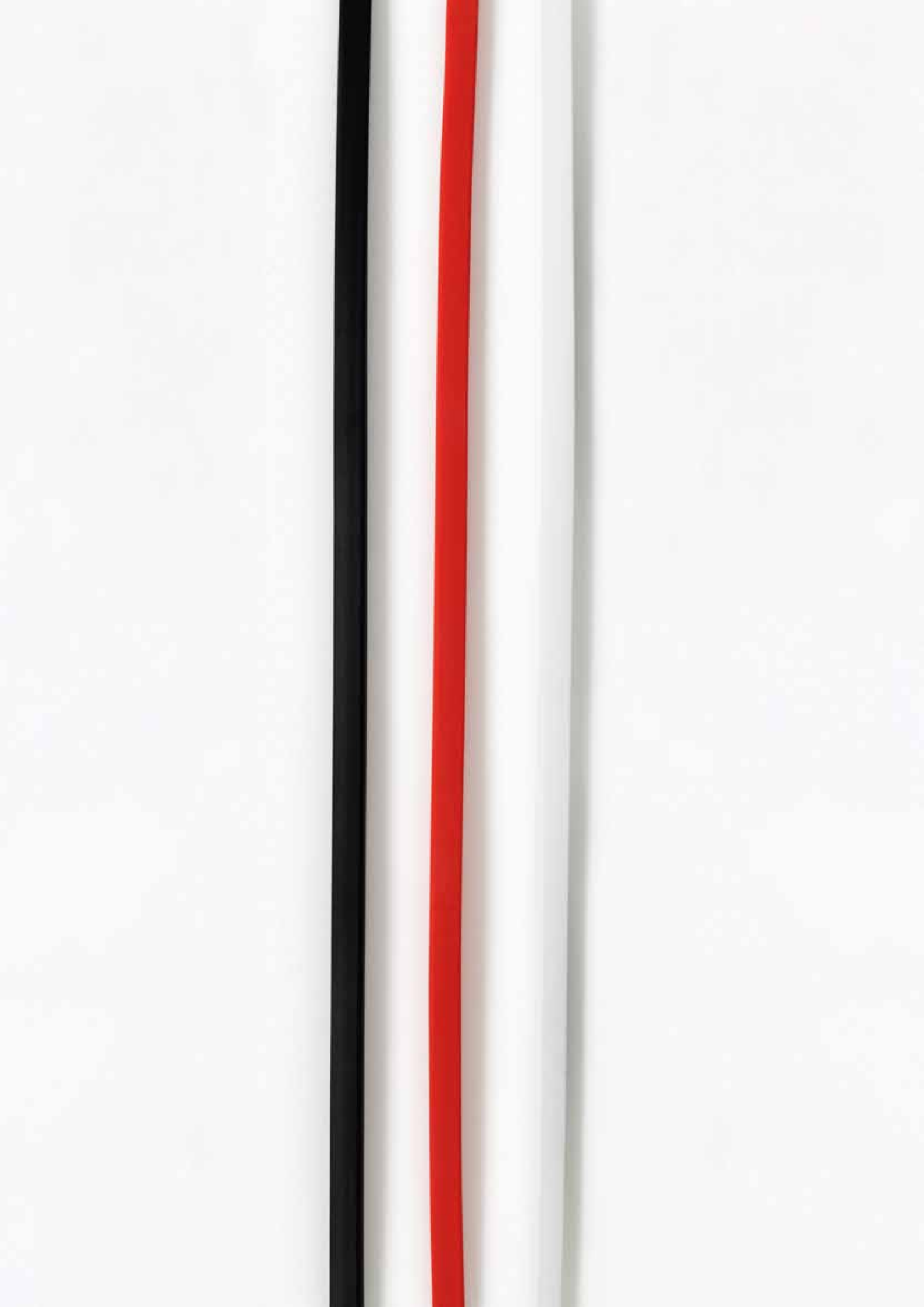
| L | C | Code |
|------------------|---|---------|
| 5 x 8 x 5000 mm | ○ | FV00001 |
| | ● | FV00004 |
| | ● | FV00008 |
| 5 x 8 x 10000 mm | ○ | FV00101 |
| | ● | FV00104 |
| | ● | FV00108 |
| 5 x 8 x 20000 mm | ○ | FV00201 |
| | ● | FV00204 |
| | ● | FV00208 |



8 | _____

5 | _____

* Dedicated tool Funivia key included.

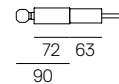


Mechanical joints

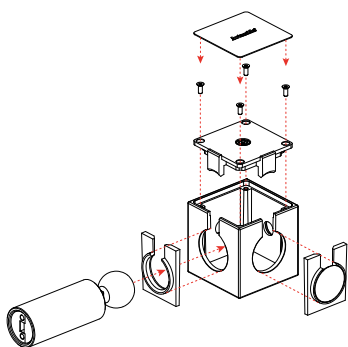
| | | |
|-----------------|---|----------------|
| Cube | | |
| L | C | Code |
| 60 x 60 h 60 mm | ● | FV01004 |



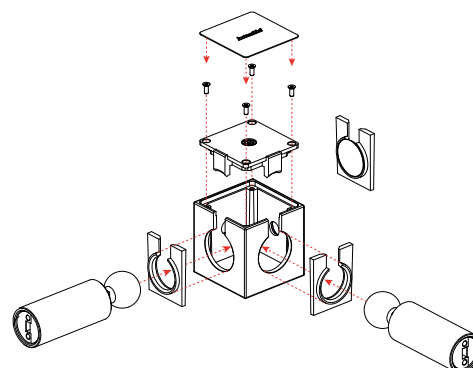
| | | |
|------------------|---|----------------|
| Tensioner | | |
| | C | Code |
| | ● | FV03004 |

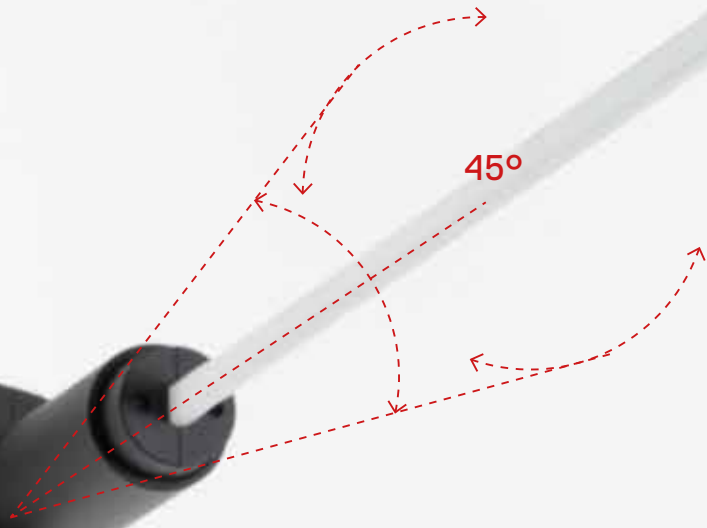
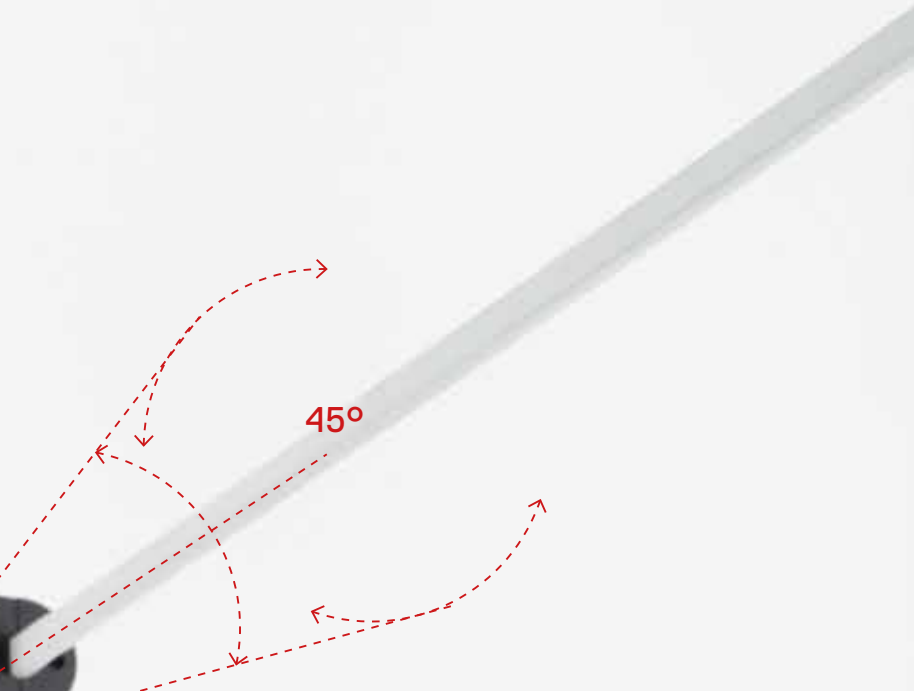
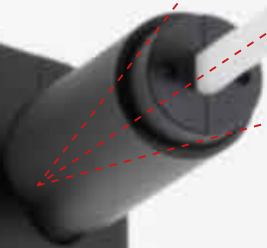
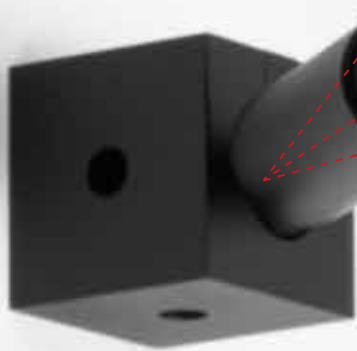


n.1 Cube FV01004 + n.1 Tensioner FV03004



n.1 Cube FV01004 + n.2 Tensioners FV03004





Mechanical joints

Diverter

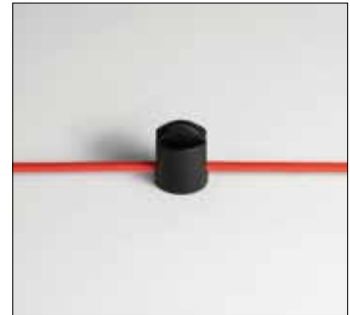
L
Ø 40 x h 55,5 mm

C



Code

FV02004



Anchor plate*

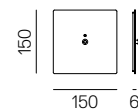
L
150x150 h 6 mm

C



Code

FV07004



* Accessory for Cube and Diverter.

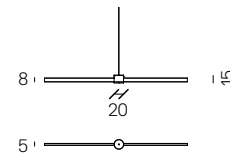


Mechanical joints

Single cable support (for long distances)

| | |
|----------------|---|
| L | C |
| Ø 20 x h 15 mm | ● |

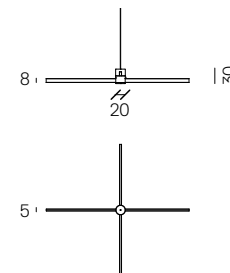
Code
FV05004



Double cable support (for long distances)

| | |
|---------------|---|
| L | C |
| Ø 20 x h 30mm | ● |

Code
FV06004



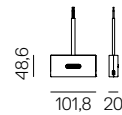


Electrical connections

Power device

L C
102 x 20 h 48,6 mm ●

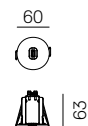
Code
FV04004



Remote wiring recessed grommet

L C
Ø 60 x h 63 mm ●

Code
FV09001



Power unit kits

Rose - Power supply

240W Ceiling power supply kit for suspension and ceiling modules
230VAC-48VDC - IP20 Ⓢ - 400x110x50H

150W Ceiling power supply kit for suspension and ceiling modules
230VAC-48VDC - IP20 Ⓢ - 400x110x50H

Undimmable

Code

FV151040

FV150040



Recessed Power supply for suspension installation

150W Recessed power supply kit for suspension module
230VAC-48VDC - IP20 Ⓢ - 395x165x107H

240W Recessed power supply kit for suspension module
230VAC-48VDC - IP20 Ⓢ - 395x165x107H

320W Recessed power supply kit for suspension module
230VAC-48VDC - IP20 Ⓢ - 395x165x107H

Undimmable

Code

FV170010

FV171010

FV172010



Recessed Power supply for ceiling installation

150W Recessed power supply kit for ceiling module
230VAC-48VDC - IP20 Ⓢ - 395x165x107H

240W Recessed power supply kit for ceiling module
230VAC-48VDC - IP20 Ⓢ - 395x165x107H

320W Recessed power supply kit for ceiling module
230VAC-48VDC - IP20 Ⓢ - 395x165x107H

Undimmable

Code

FV180010

FV181010

FV182010



Remote Power supply

240W Remote power supply unit
230VAC-48VDC - IP20 Ⓢ - 313x243x57,5H

320W Remote power supply unit
230VAC-48VDC - IP20 Ⓢ - 313x243x57,5H

Undimmable

Code

FV161000

FV162000



Starter Pack

Sustainable packaging

Starter Pack*

| | |
|-------------|---|
| | C |
| White cable | ○ |
| Black cable | ● |

Code

FV301010

FV301040



- n.1 Rose power supply kit SMD 150W
- n.1 Power device for the cable
- n.1 Diverter (horizontal or vertical change direction)
- n.2 Single cable supports
- n.1 Cable 10000 mm (black or white)
- n.2 Cubes 60x60 mm + n.2 Tensioners
- n.1 Funivia key tool for installation





Multiple light performances



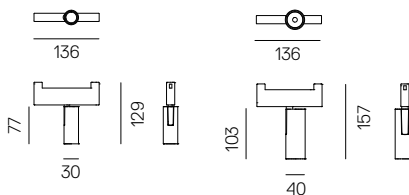


Funivia light insets - Vector

Integrating different performances

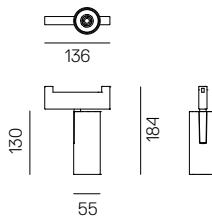
Vector 30

Ø 30 x h 77 mm
7 W - 329 lm / 335 lm / 292 lm*
(12° - 16° - 30°)



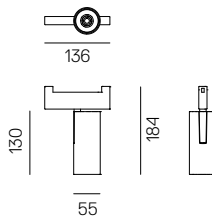
Vector 40

Ø 40 x h 103 mm
10 W - 541 lm / 584 lm / 529 lm*
(14° - 21° - 28°)



Vector 55

Ø 55 x h 130 mm
23 W - 1703 lm / 1721 lm / 1787 lm*
(15° - 22° - 31°)



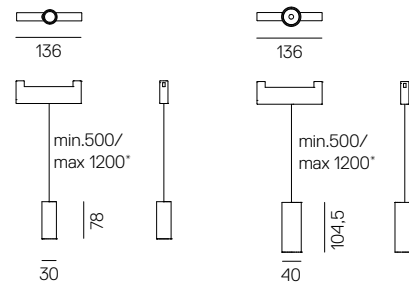
● Black

○ White



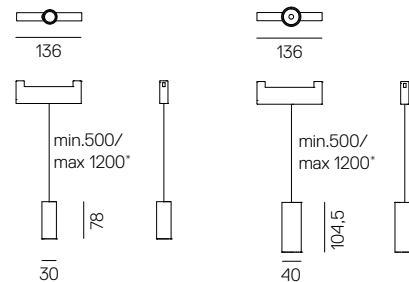
Vector 30 Pendant

Ø 30 x h 77 mm
7 W - 329 lm / 335 lm / 292 lm*
(12° - 16° - 30°)



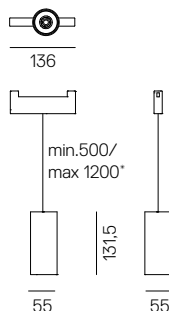
Vector 40 Pendant

Ø 40 x h 103 mm
10 W - 541 lm / 584 lm / 529 lm*
(14° - 21° - 28°)



Vector 55 Pendant

Ø 55 x h 130 mm
23 W - 1703 lm / 1721 lm / 1787 lm*
(15° - 22° - 31°)



● Black

○ White



* 3000 K values.



↳ VECTOR FUNIVIA

White Black



01



04

S F WF



MacAdam 3SDCM
*MacAdam 2SDCM
CRI = 90

IP20



90°



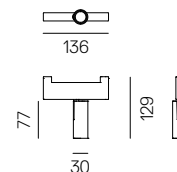
360°

VECTOR 30 FUNIVIA

| VECTOR 30 | | | | |
|-----------|--------|--------|-------|---|
| W | Beam | Flux | CCT | C |
| 6,5 W | S 12° | 329 lm | 2700K | ○ |
| | | | | ● |
| | | 329 lm | 3000K | ○ |
| 7 W | F 16° | 329 lm | 4000K | ○ |
| | | | | ● |
| | | 335 lm | 2700K | ○ |
| 7 W | F 16° | 335 lm | 3000K | ○ |
| | | | | ● |
| | | 335 lm | 4000K | ○ |
| 7 W | WF 30° | 272 lm | 2700K | ○ |
| | | | | ● |
| | | 272 lm | 3000K | ○ |
| 7 W | WF 30° | 272 lm | 4000K | ○ |
| | | | | ● |
| | | 272 lm | 3000K | ○ |

| Artemide App | |
|--------------|---|
| Code | |
| FU00001APP | ○ |
| FU00004APP | ● |
| FU01001APP | ○ |
| FU01004APP | ● |
| FU02001APP | ○ |
| FU02004APP | ● |
| FU00101APP | ○ |
| FU00104APP | ● |
| FU01101APP | ○ |
| FU01104APP | ● |
| FU02101APP | ○ |
| FU02104APP | ● |
| FU00201APP | ○ |
| FU00204APP | ● |
| FU01201APP | ○ |
| FU01204APP | ● |
| FU02201APP | ○ |
| FU02204APP | ● |

| Push dimming | |
|--------------|---|
| Code | |
| FU00001 | ○ |
| FU00004 | ● |
| FU01001 | ○ |
| FU01004 | ● |
| FU02001 | ○ |
| FU02004 | ● |
| FU00101 | ○ |
| FU00104 | ● |
| FU01101 | ○ |
| FU01104 | ● |
| FU02101 | ○ |
| FU02104 | ● |
| FU00201 | ○ |
| FU00204 | ● |
| FU01201 | ○ |
| FU01204 | ● |
| FU02201 | ○ |
| FU02204 | ● |

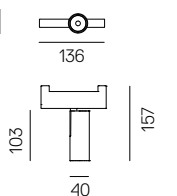


VECTOR 40 FUNIVIA

| VECTOR 40 | | | | |
|-----------|---------|--------|-------|---|
| W | Beam | Flux | CCT | C |
| 10 W | S 14° | 544 lm | 2700K | ○ |
| | | | | ● |
| | | 541 lm | 3000K | ○ |
| 10 W | *F 21° | 541 lm | 4000K | ○ |
| | | | | ● |
| | | 543 lm | 2700K | ○ |
| 10 W | *F 21° | 584 lm | 3000K | ○ |
| | | | | ● |
| | | 626 lm | 4000K | ○ |
| 10 W | *WF 28° | 491 lm | 2700K | ○ |
| | | | | ● |
| | | 529 lm | 3000K | ○ |
| 10 W | *WF 28° | 566 lm | 4000K | ○ |
| | | | | ● |
| | | 566 lm | 3000K | ○ |

| Artemide App | |
|--------------|---|
| Code | |
| FU10001APP | ○ |
| FU10004APP | ● |
| FU11001APP | ○ |
| FU11004APP | ● |
| FU12001APP | ○ |
| FU12004APP | ● |
| FU10101APP | ○ |
| FU10104APP | ● |
| FU11101APP | ○ |
| FU11104APP | ● |
| FU12101APP | ○ |
| FU12104APP | ● |
| FU10201APP | ○ |
| FU10204APP | ● |
| FU11201APP | ○ |
| FU11204APP | ● |
| FU12201APP | ○ |
| FU12204APP | ● |

| Push dimming | |
|--------------|---|
| Code | |
| FU10001 | ○ |
| FU10004 | ● |
| FU11001 | ○ |
| FU11004 | ● |
| FU12001 | ○ |
| FU12004 | ● |
| FU10101 | ○ |
| FU10104 | ● |
| FU11101 | ○ |
| FU11104 | ● |
| FU12101 | ○ |
| FU12104 | ● |
| FU10201 | ○ |
| FU10204 | ● |
| FU11201 | ○ |
| FU11204 | ● |
| FU12201 | ○ |
| FU12204 | ● |



↳ VECTOR FUNIVIA

White Black



01



04

S F WF



MacAdam 3SDCM
CRI = 90

IP20



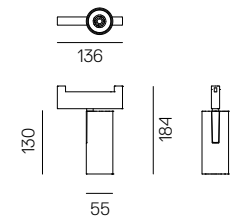
90°



360°



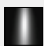
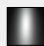


VECTOR 55 FUNIVIA

| VECTOR 55 | | | | | Artemide App | Push dimming |
|-----------|--------|---------|-------|------------|--------------|--------------|
| W | Beam | Flux | CCT | C | Code | Code |
| 23 W | S 15° | 1636 lm | 2700K | ○ | FU20001APP | FU20001 |
| | | | ● | FU20004APP | FU20004 | |
| | | 1703 lm | 3000K | ○ | FU21001APP | FU21001 |
| | | | ● | FU21004APP | FU21004 | |
| | | 1729 lm | 4000K | ○ | FU22001APP | FU22001 |
| | | | ● | FU22004APP | FU22004 | |
| 23 W | F 22° | 1654 lm | 2700K | ○ | FU20101APP | FU20101 |
| | | | ● | FU20104APP | FU20104 | |
| | | 1721 lm | 3000K | ○ | FU21101APP | FU21101 |
| | | | ● | FU21104APP | FU21104 | |
| | | 1748 lm | 4000K | ○ | FU22101APP | FU22101 |
| | | | ● | FU22104APP | FU22104 | |
| 23 W | WF 31° | 1717 lm | 2700K | ○ | FU20201APP | FU20201 |
| | | | ● | FU20204APP | FU20204 | |
| | | 1787 lm | 3000K | ○ | FU21201APP | FU21201 |
| | | | ● | FU21204APP | FU21204 | |
| | | 1815 lm | 4000K | ○ | FU22201APP | FU22201 |
| | | | ● | FU22204APP | FU22204 | |



| Accessories | | Vector 40 | Vector 55 |
|-------------|------------------------------|-----------|-----------|
| | Color | Code | Code |
| | Accessories holder | AP90100 | AP91100 |
| | Lens for elliptical emission | AP90200 | AP91200 |
| | Soft filter | AP90300 | AP91300 |
| | Anti-dazzle louvre | AP90400 | AP91400 |
| | Adjustable dowsers | ● | AP91500 |

↳ VECTOR PENDANT FUNIVIA

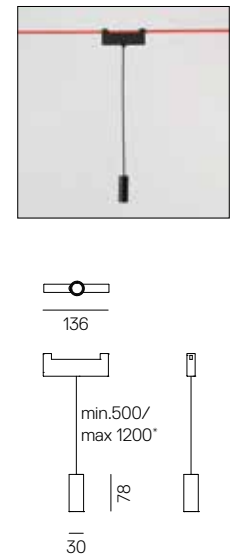
| | | | | | | |
|-----------------------------------------------------------------------------------|-----------------------------------------------------------------------------------|-----------------------------------------------------------------------------------|-----------------------------------------------------------------------------------|-----------------------------------------------------------------------------------|----------------|-------------------------------------------------------------------------------------|
| White | Black | S | F | WF | MacAdam 3SDCM | IP20 |
|  |  |  |  |  | *MacAdam 2SDCM |  |
| 01 | 04 | | | | CRI = 90 | |

VECTOR 30 PENDANT FUNIVIA

| VECTOR 30 | | | | |
|-----------|--------|--------|-------|---|
| W | Beam | Flux | CCT | C |
| 6,5 W | S 12° | 329 lm | 2700K | ○ |
| | | | | ● |
| | | 329 lm | 3000K | ○ |
| 7 W | F 16° | 329 lm | 4000K | ○ |
| | | | | ● |
| | | 335 lm | 2700K | ○ |
| 7 W | WF 30° | 335 lm | 3000K | ○ |
| | | | | ● |
| | | 335 lm | 4000K | ○ |
| 7 W | WF 30° | 292 lm | 2700K | ○ |
| | | | | ● |
| | | 292 lm | 3000K | ○ |
| | | | | ● |
| | | 292 lm | 4000K | ○ |
| | | | | ● |

| Artemide App | |
|--------------|---|
| Code | |
| FU30001APP | ○ |
| FU30004APP | ● |
| FU31001APP | ○ |
| FU31004APP | ● |
| FU32001APP | ○ |
| FU32004APP | ● |
| FU30101APP | ○ |
| FU30104APP | ● |
| FU31101APP | ○ |
| FU31104APP | ● |
| FU32101APP | ○ |
| FU32104APP | ● |
| FU30201APP | ○ |
| FU30204APP | ● |
| FU31201APP | ○ |
| FU31204APP | ● |
| FU32201APP | ○ |
| FU32204APP | ● |

| Push dimming | |
|--------------|---|
| Code | |
| FU30001 | ○ |
| FU30004 | ● |
| FU31001 | ○ |
| FU31004 | ● |
| FU32001 | ○ |
| FU32004 | ● |
| FU30101 | ○ |
| FU30104 | ● |
| FU31101 | ○ |
| FU31104 | ● |
| FU32101 | ○ |
| FU32104 | ● |
| FU30201 | ○ |
| FU30204 | ● |
| FU31201 | ○ |
| FU31204 | ● |
| FU32201 | ○ |
| FU32204 | ● |

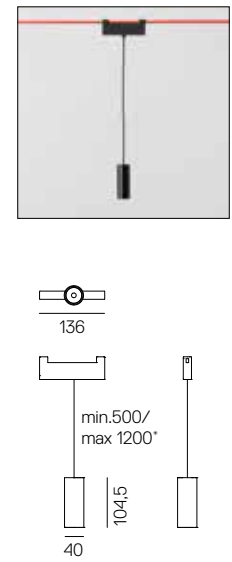


VECTOR 40 PENDANT FUNIVIA

| VECTOR 40 | | | | |
|-----------|---------|--------|-------|---|
| W | Beam | Flux | CCT | C |
| 10 W | S 14° | 544 lm | 2700K | ○ |
| | | | | ● |
| | | 541 lm | 3000K | ○ |
| 10 W | *F 21° | 541 lm | 4000K | ○ |
| | | | | ● |
| | | 584 lm | 2700K | ○ |
| 10 W | *WF 28° | 626 lm | 3000K | ○ |
| | | | | ● |
| | | 491 lm | 4000K | ○ |
| | | | | ● |
| | | 529 lm | 2700K | ○ |
| | | | | ● |
| | | 566 lm | 3000K | ○ |
| | | | | ● |
| | | | 4000K | ○ |
| | | | | ● |

| Artemide App | |
|--------------|---|
| Code | |
| FU40001APP | ○ |
| FU40004APP | ● |
| FU41001APP | ○ |
| FU41004APP | ● |
| FU42001APP | ○ |
| FU42004APP | ● |
| FU40101APP | ○ |
| FU40104APP | ● |
| FU41101APP | ○ |
| FU41104APP | ● |
| FU42101APP | ○ |
| FU42104APP | ● |
| FU40201APP | ○ |
| FU40204APP | ● |
| FU41201APP | ○ |
| FU41204APP | ● |
| FU42201APP | ○ |
| FU42204APP | ● |

| Push dimming | |
|--------------|---|
| Code | |
| FU40001 | ○ |
| FU40004 | ● |
| FU41001 | ○ |
| FU41004 | ● |
| FU42001 | ○ |
| FU42004 | ● |
| FU40101 | ○ |
| FU40104 | ● |
| FU41101 | ○ |
| FU41104 | ● |
| FU42101 | ○ |
| FU42104 | ● |
| FU40201 | ○ |
| FU40204 | ● |
| FU41201 | ○ |
| FU41204 | ● |
| FU42201 | ○ |
| FU42204 | ● |



↳ VECTOR PENDANT FUNIVIA

White Black



01



04

S F WF



MacAdam 3SDCM
CRI = 90

IP20

VECTOR 55 PENDANT FUNIVIA

VECTOR 55

| W | Beam | Flux | CCT | C |
|------|--------|---------|-------|---|
| 23 W | S 15° | 1636 lm | 2700K | ○ |
| | | | | ● |
| | | 1703 lm | 3000K | ○ |
| | | | | ● |
| | | 1729 lm | 4000K | ○ |
| | | | | ● |
| 23 W | F 22° | 1654 lm | 2700K | ○ |
| | | | | ● |
| | | 1721 lm | 3000K | ○ |
| | | | | ● |
| | | 1748 lm | 4000K | ○ |
| | | | | ● |
| 23 W | WF 31° | 1717 lm | 2700K | ○ |
| | | | | ● |
| | | 1787 lm | 3000K | ○ |
| | | | | ● |
| | | 1815 lm | 4000K | ○ |
| | | | | ● |

Artemide App

| Code |
|------------|
| FU50001APP |
| FU50004APP |
| FU51001APP |
| FU51004APP |
| FU52001APP |
| FU52004APP |
| FU50101APP |
| FU50104APP |
| FU51101APP |
| FU51104APP |
| FU52101APP |
| FU52104APP |
| FU50201APP |
| FU50204APP |
| FU51201APP |
| FU51204APP |
| FU52201APP |
| FU52204APP |

Push dimming

| Code |
|---------|
| FU50001 |
| FU50004 |
| FU51001 |
| FU51004 |
| FU52001 |
| FU52004 |
| FU50101 |
| FU50104 |
| FU51101 |
| FU51104 |
| FU52101 |
| FU52104 |
| FU50201 |
| FU50204 |
| FU51201 |
| FU51204 |
| FU52201 |
| FU52204 |



136



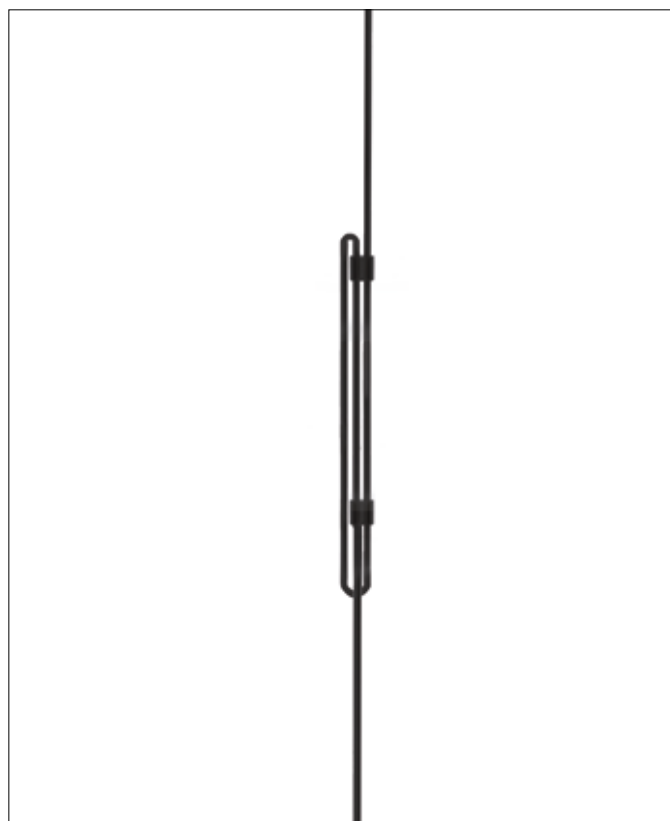
min.500/
max 1200*



131,5

55

55



* No cuttable wire. Clips included to adjust the length.

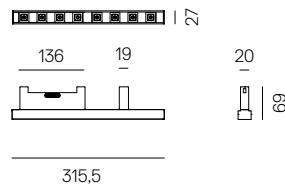
Funivia

light insets - Sharping

Integrating different performances

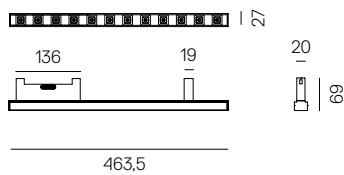
Sharping 8 LED

315,15 x 27 x h 69 mm
19 W - 1400 lm / 1488 lm*
(24° - 62°)



Sharping 12 LED

463,5 x 27 x h 69 mm
25 W - 2100 lm / 2232 lm*
(24° - 62°)

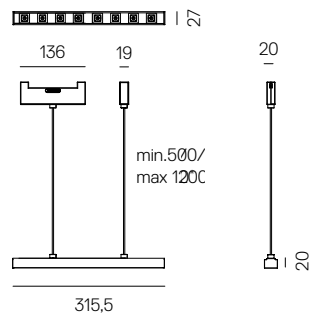


- Black
- White



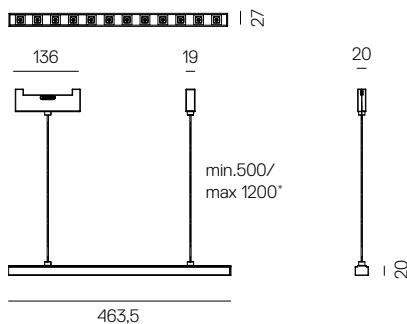
Sharping 8 LED Pendant

315,15 x 27 x h 69 mm
19 W - 1400 lm / 1488 lm*
(24° - 62°)



Sharping 12 LED Pendant

463,5 x 27 x h 69 mm
25 W - 2100 lm / 2232 lm*
(24° - 62°)



- Black
- White



* 3000 K values.



SHARPING FUNIVIA

White Black S F WF MacAdam 3SDCM IP20
 CRI = 90

01 04

SHARPING FUNIVIA

SHARPING 8 LED

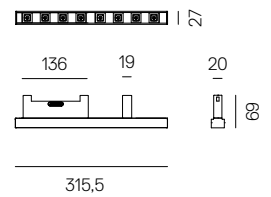
| W | Beam | Flux | CCT | C |
|------|--------|---------|-------|---|
| 19 W | FL 24° | 1400 lm | 2700K | ○ |
| | | | | ● |
| | | 1400 lm | 3000K | ○ |
| 19 W | XF 62° | 1498 lm | 4000K | ○ |
| | | | | ● |
| | | 1488 lm | 2700K | ○ |
| 19 W | XF 62° | 1488 lm | 3000K | ○ |
| | | | | ● |
| | | 1592 lm | 4000K | ○ |
| | | | | ● |

Artemide App

| Code |
|------------|
| FU60001APP |
| FU60004APP |
| FU61001APP |
| FU61004APP |
| FU62001APP |
| FU62004APP |
| FU60101APP |
| FU60104APP |
| FU61101APP |
| FU61104APP |
| FU62101APP |
| FU62104APP |

Push dimming

| Code |
|---------|
| FU60001 |
| FU60004 |
| FU61001 |
| FU61004 |
| FU62001 |
| FU62004 |
| FU60101 |
| FU60104 |
| FU61101 |
| FU61104 |
| FU62101 |
| FU62104 |



SHARPING 12 LED

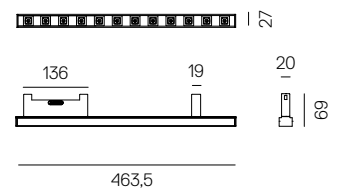
| W | Beam | Flux | CCT | C |
|------|--------|---------|-------|---|
| 25 W | FL 24° | 2100 lm | 2700K | ○ |
| | | | | ● |
| | | 2100 lm | 3000K | ○ |
| 25 W | XF 62° | 2247 lm | 4000K | ○ |
| | | | | ● |
| | | 2232 lm | 2700K | ○ |
| 25 W | XF 62° | 2232 lm | 3000K | ○ |
| | | | | ● |
| | | 2388 lm | 4000K | ○ |
| | | | | ● |

Artemide App

| Code |
|------------|
| FU70001APP |
| FU70004APP |
| FU71001APP |
| FU71004APP |
| FU72001APP |
| FU72004APP |
| FU70101APP |
| FU70104APP |
| FU71101APP |
| FU71104APP |
| FU72101APP |
| FU72104APP |

Push dimming

| Code |
|---------|
| FU70001 |
| FU70004 |
| FU71001 |
| FU71004 |
| FU72001 |
| FU72004 |
| FU70101 |
| FU70104 |
| FU71101 |
| FU71104 |
| FU72101 |
| FU72104 |



SHARPING PENDANT FUNIVIA

White Black



01



04

S F WF



MacAdam 3SDCM
CRI = 90

IP20

SHARPING PENDANT FUNIVIA

SHARPING 8 LED

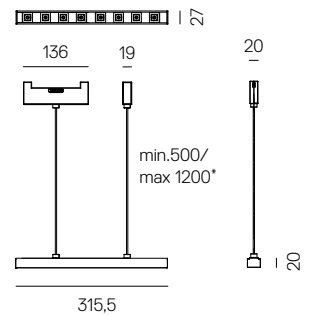
| W | Beam | Flux | CCT | C |
|------|--------|---------|-------|---|
| 19 W | FL 24° | 1400 lm | 2700K | ○ |
| | | | | ● |
| | | 1400 lm | 3000K | ○ |
| 19 W | XF 62° | 1498 lm | 4000K | ○ |
| | | | | ● |
| | | 1488 lm | 2700K | ○ |
| 19 W | XF 62° | 1488 lm | 3000K | ○ |
| | | | | ● |
| | | 1592 lm | 4000K | ○ |
| | | | | ● |

Artemide App

| Code |
|------------|
| FU80001APP |
| FU80004APP |
| FU81001APP |
| FU81004APP |
| FU82001APP |
| FU82004APP |
| FU80101APP |
| FU80104APP |
| FU81101APP |
| FU81104APP |
| FU82101APP |
| FU82104APP |

Push dimming

| Code |
|---------|
| FU80001 |
| FU80004 |
| FU81001 |
| FU81004 |
| FU82001 |
| FU82004 |
| FU80101 |
| FU80104 |
| FU81101 |
| FU81104 |
| FU82101 |
| FU82104 |



SHARPING 12 LED

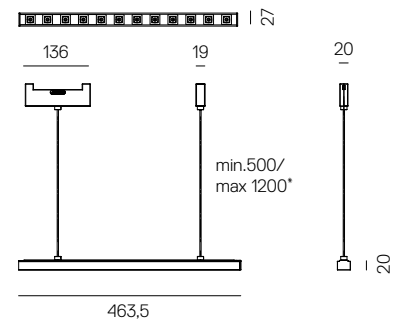
| W | Beam | Flux | CCT | C |
|------|--------|---------|-------|---|
| 25 W | FL 24° | 2100 lm | 2700K | ○ |
| | | | | ● |
| | | 2100 lm | 3000K | ○ |
| 25 W | XF 62° | 2247 lm | 4000K | ○ |
| | | | | ● |
| | | 2232 lm | 2700K | ○ |
| 25 W | XF 62° | 2232 lm | 3000K | ○ |
| | | | | ● |
| | | 2388 lm | 4000K | ○ |
| | | | | ● |

Artemide App

| Code |
|------------|
| FU90001APP |
| FU90004APP |
| FU91001APP |
| FU91004APP |
| FU92001APP |
| FU92004APP |
| FU90101APP |
| FU90104APP |
| FU91101APP |
| FU91104APP |
| FU92101APP |
| FU92104APP |

Push dimming

| Code |
|---------|
| FU90001 |
| FU90004 |
| FU91001 |
| FU91004 |
| FU92001 |
| FU92004 |
| FU90101 |
| FU90104 |
| FU91101 |
| FU91104 |
| FU92101 |
| FU92104 |



* No cuttable wire.
Clips included to adjust the length.

Funivia

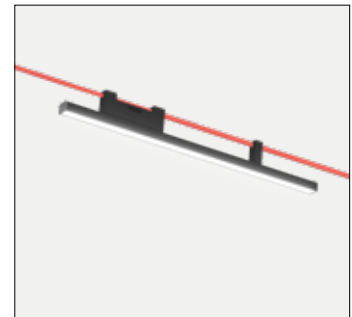
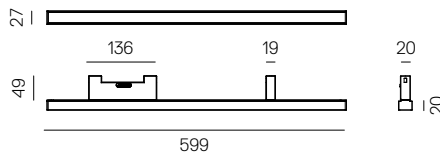
light insets - Diffused

Integrating different performances

Diffused Linear 600

599 x 27 x h 69 mm

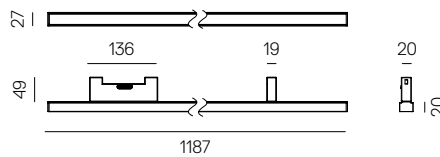
13 W - 1172 lm*



Diffused Linear 1200

1187 x 27 x h 69 mm

26 W - 2345 lm*



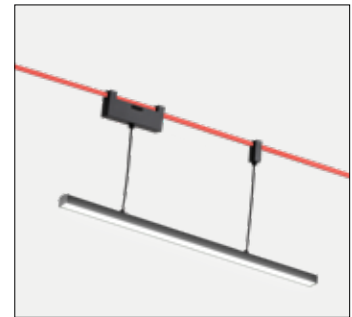
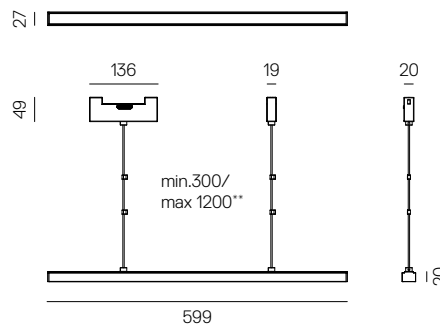
● Black

○ White

Diffused Linear 600 Pendant

599 x 27 x h 69 mm

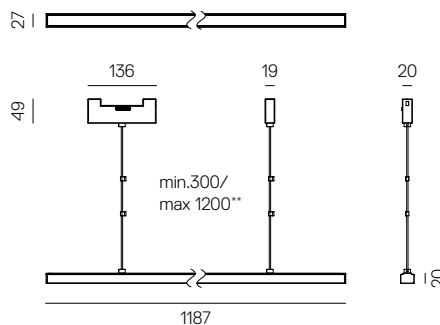
13 W - 1172 lm*



Diffused Linear 1200 Pendant

1187 x 27 x h 69 mm

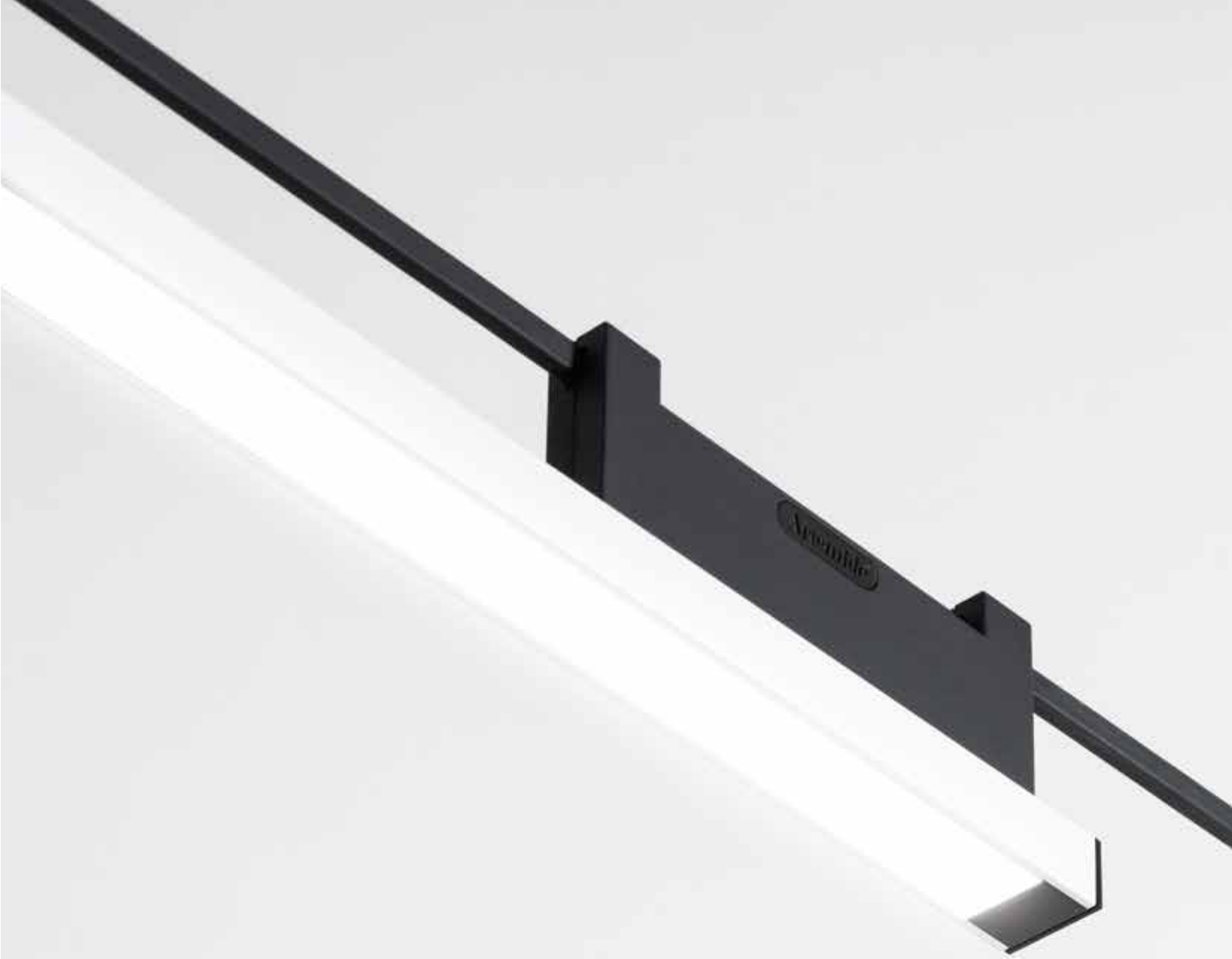
26 W - 2345 lm*



● Black

○ White

* App Version, 3000 K values.



↪ DIFFUSED LINEAR FUNIVIA

White Black S F WF MacAdam 3SDCM IP20
 CRI = 90

01 04

DIFFUSED LINEAR FUNIVIA

Diffused Linear 600 mm

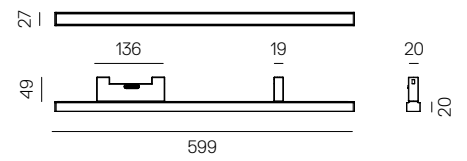
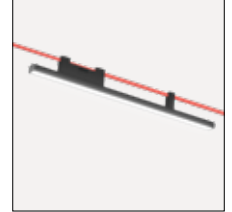
| W | Flux | CCT | C |
|--------------|---------|-------|---|
| 13 W* - 15 W | 1121 lm | 2700K | ○ |
| | | | ● |
| | 1172 lm | 3000K | ○ |
| | | | ● |
| | 1227 lm | 4000K | ○ |
| | | | ● |

Artemide App*

| Code |
|------------|
| FW00001APP |
| FW00004APP |
| FW01001APP |
| FW01004APP |
| FW02001APP |
| FW02004APP |

Push dimming

| Code |
|---------|
| FW00001 |
| FW00004 |
| FW01001 |
| FW01004 |
| FW02001 |
| FW02004 |



Diffused Linear 1200 mm

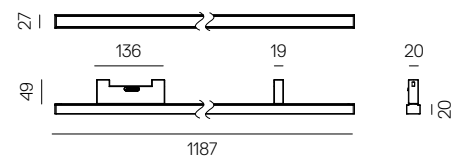
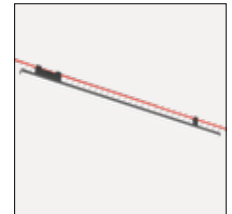
| W | Flux | CCT | C |
|--------------|---------|-------|---|
| 26 W* - 30 W | 2241 lm | 2700K | ○ |
| | | | ● |
| | 2345 lm | 3000K | ○ |
| | | | ● |
| | 2455 lm | 4000K | ○ |
| | | | ● |

Artemide App*






| Code |
|------------|
| FW10001APP |
| FW10004APP |
| FW11001APP |
| FW11004APP |
| FW12001APP |
| FW12001APP |

Push dimming

| Code |
|---------|
| FW10001 |
| FW10004 |
| FW11001 |
| FW11004 |
| FW12001 |
| FW12004 |



↪ DIFFUSED LINEAR PENDANT FUNIVIA

| | | | | | | |
|-----------------------------------------------------------------------------------|-----------------------------------------------------------------------------------|-----------------------------------------------------------------------------------|-----------------------------------------------------------------------------------|-----------------------------------------------------------------------------------|---------------|------|
| White | Black | S | F | WF | MacAdam 3SDCM | IP20 |
|  |  |  |  |  | CRI = 90 | |
| 01 | 04 | | | | | |

DIFFUSED LINEAR PENDANT FUNIVIA

Diffused Linear 600 mm

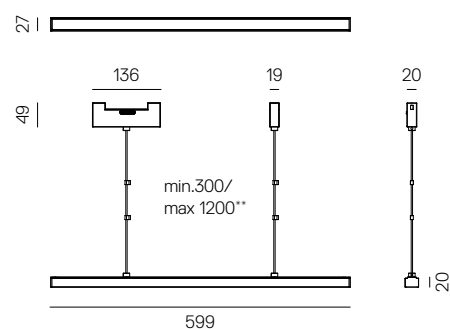
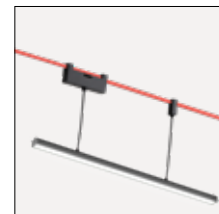
| W | Flux | CCT | C |
|--------------|---------|-------|---|
| 13 W* - 15 W | 1121 lm | 2700K | ○ |
| | | | ● |
| | 1172 lm | 3000K | ○ |
| | | | ● |
| | 1227 lm | 4000K | ○ |
| | | | ● |

Artemide App*

| Code |
|------------|
| FW20001APP |
| FW20004APP |
| FW21001APP |
| FW21004APP |
| FW22001APP |
| FW22004APP |

Push dimming

| Code |
|---------|
| FW20001 |
| FW20004 |
| FW21001 |
| FW21004 |
| FW22001 |
| FW22004 |



Diffused Linear 1200 mm

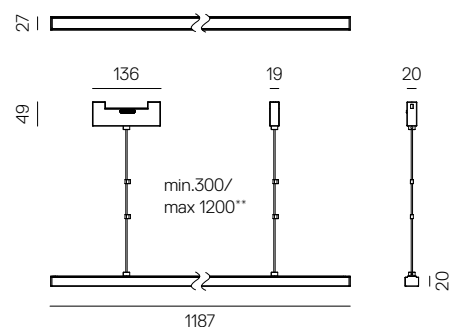
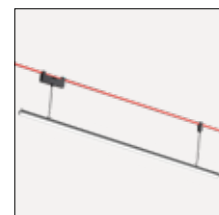
| W | Flux | CCT | C |
|--------------|---------|-------|---|
| 26 W* - 30 W | 2241 lm | 2700K | ○ |
| | | | ● |
| | 2345 lm | 3000K | ○ |
| | | | ● |
| | 2455 lm | 4000K | ○ |
| | | | ● |

Artemide App*

| Code |
|------------|
| FW30001APP |
| FW30004APP |
| FW31001APP |
| FW31004APP |
| FW32001APP |
| FW32004APP |

Push dimming

| Code |
|---------|
| FW30001 |
| FW30004 |
| FW31001 |
| FW31004 |
| FW32001 |
| FW32004 |



** No cuttable wire.
Clips included to adjust the length.



ADDRESS

1

ADDRESS

2

ADDRESS

5

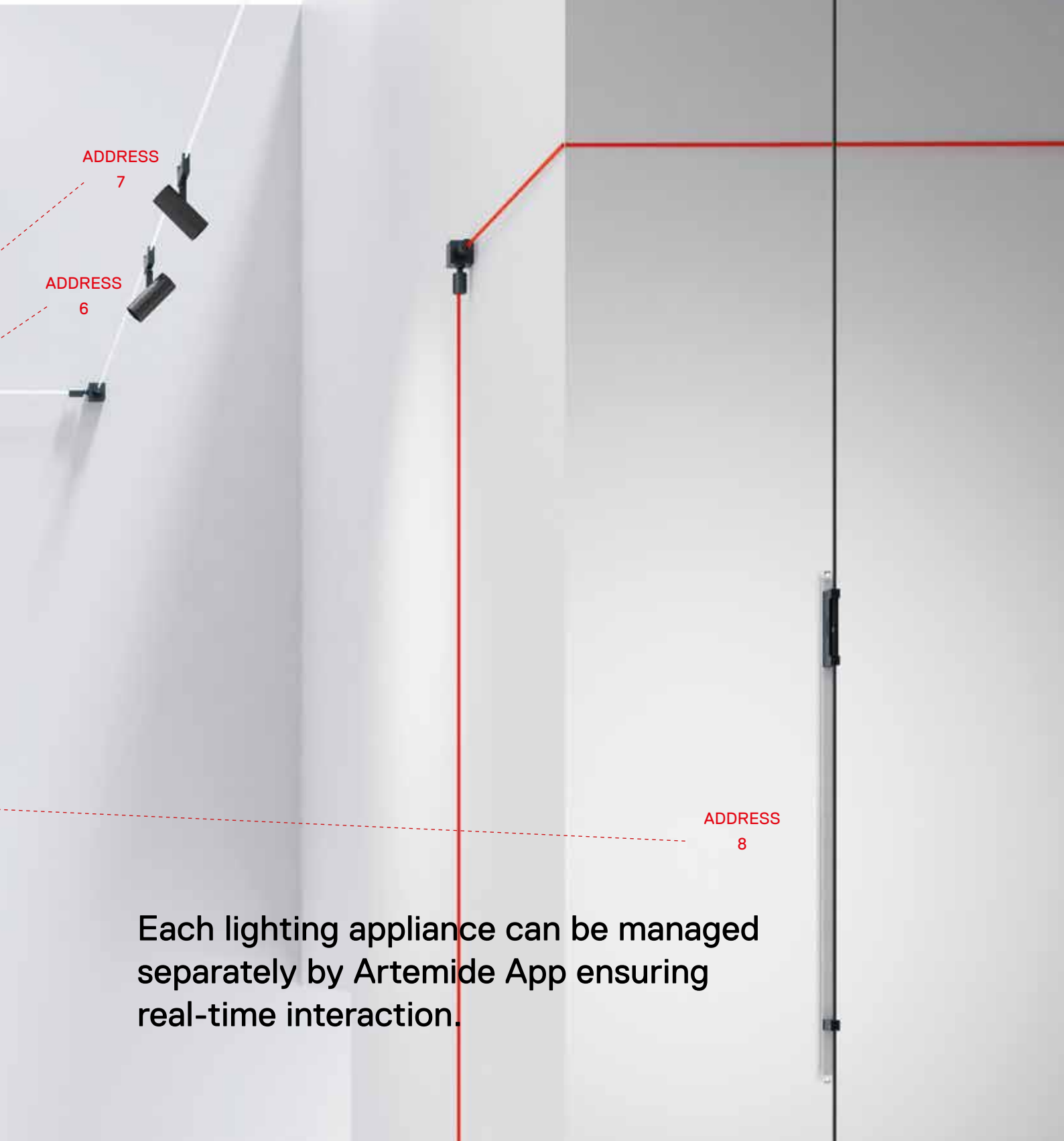
ADDRESS

3

ADDRESS

4

Funivia is fully addressable



ADDRESS

7

ADDRESS

6

ADDRESS

8

Each lighting appliance can be managed separately by Artemide App ensuring real-time interaction.



Multiclick mode

Short pressures to regulate n.6 intensity levels
(100-80-60-40-20-0%)

Dimming mode

Long pressure to dim continuously
(100-0%)



Funivia is push dimmable

Each lighting appliance can be managed also through a push dimming button on board activable with a simple common tool.

It offers a dynamic and reconfigurable management during installation or for answering to specific project's needs.

Budget wise and fast delivery solution.

Funivia is compatible with **Artemide App**

Artemide App is a user-friendly and intuitive interface used to control individual products, groups of appliances and lighting scenarios. It is a tool that can be associated with several products from both the Design and the Architectural Catalogues.





Download Artemide App
and find more information on
[artemide.com](https://www.artemide.com)

Funivia is INTEGRALIS®

INTEGRALIS® is an innovative light, perfectly integrated into the products of the Artemide collections, that sanitizes spaces.

INTEGRALIS® combines sanitizing efficacy with luminous performance and design beauty.

It also integrates itself in both the environments and moments of life by interpreting the rhythms and needs of mankind.

INTEGRALIS® is managed by Artemide App, a digital interaction system accessible to all.

INTEGRALIS® was born from Artemide's scientific and technological research and humanistic and social vision.

INTEGRALIS® is a project that associates and integrates the visible and invisible spectral range in an innovative formula capable of regenerating the environmental qualities of the space.

PATENT PENDING

White INTEGRALIS



Violet INTEGRALIS



INTEGRALIS[®]

A light for a safe environment



Discover INTEGRALIS[®] collection on [artemide.com](https://www.artemide.com)



Headquarters

Artemide S.p.A.

Via Bergamo, 18
20006 Pregnana Milanese (MI), Italy
Tel. +39 02 93518.1
Tel. +39 02 93526.1
Numero verde 800 834 093
(from Italy only)
info@artemide.com
artemide.com

Artemide S.p.A.

si riserva la facoltà di modificare, in qualunque momento e senza preavviso, le caratteristiche tecniche degli elementi illustrati nel presente catalogo.

Artemide S.p.A.

reserves the right to change, at any time and without prior warning, the technical specifications of any product illustrated in this catalogue.

Artemide S.p.A.

se réserve le droit de modifier, à n'importe quel moment et sans préavis, les caractéristiques techniques des éléments illustrés dans ce catalogue.

Artemide S.p.A.

behält sich das Recht vor jederzeit und ohne Ankündigung die technischen Daten der im Katalog abgebildeten Produkte zu ändern.

Artemide S.p.A.

se reserva la facultad de modificar, en cualquier y sin aviso previo, las características técnicas de los elementos ilustrados en el presente catálogo.

2023 updated version. V.3

For information regarding distributors
and points of sale, please visit our website
artemide.com or email: info@artemide.com

Artemide[®]