

LIGHT AT THE HIGHEST LEVEL



2024/25

PROJECTS

OVERVIEW

ANBAULEUCHTEN | SURFACE MOUNTED LUMINAIRES | LUMINAIRES EN SAILLIE



LINE40
82



LINE50
84



LINE50hex
86



LINE50quad
88



officeLINE50
90



LINE70
92



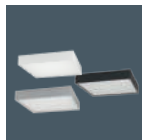
RING50
94



FLEX50
96



ROUND90
98



SQUARE90
100



techDOT150surface
102

HÄNGELEUCHTEN | PENDANT LUMINAIRES | SUSPENSIONS



LINE40
106



LINE50
108



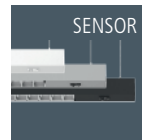
LINE50hex
110



LINE50quad
112



officeLINE50
114



officeLINE50
116



LINE70
118



RING50
120



FLEX50
122



ROUND90
124



SQUARE90
126

WANDLEUCHTEN | WALL LUMINAIRES | APPLIQUES MURALES



LINE40
130



LINE50
132



LINE70
134



ROUND90
136



SQUARE90
138

EINBAULEUCHTEN | RECESSED LUMINAIRES | LUMINAIRES ENCASTRABLES



LINE40
142



LINE50
144



officeLINE50
146



LINE70
148



RING50
150



FLEX50
152



ROUND90
154



designDOT
156



designSQOT
158



techDOT
160



techSQOT
162

SCHIENENSTRAHLER | TRACK SPOTLIGHTS | PROJECTEURS SUR RAIL



trackS
166



trackM
168



Geschätzte Geschäftspartner:innen, treue
EGLO Freund:innen,

wir freuen uns sehr, Ihnen den neuen Hauptkatalog von EGLO Professional präsentieren zu können. Mit diesem Katalog möchten wir Ihnen unsere umfangreiche Kollektion von hochwertigen Leuchten und Beleuchtungssystemen vorstellen, die wir mit viel Liebe zum Detail und einem besonderen Fokus auf Design, Energieeffizienz und Qualität entwickelt haben. Dieser Katalog startet eine neue Zeitrechnung im Bereich EGLO Professional, unter dem Motto „LIGHT AT THE HIGHEST LEVEL“ finden Sie in diesem Katalog eine riesige Auswahl an ausgewählten Standardprodukten auf allerhöchstem Qualitätsniveau und auf Stand der neuesten Technologien. Getreu unserem Leitspruch „DESIGNED IN AUSTRIA – MADE IN EUROPE“ freuen wir uns auf Ihre Anfrage über kundenspezifische Projektlösungen, welche wir in unserer hochmodernen Produktionsstätte in Pásztó (Ungarn) auftragsbezogen fertigen. Wir sind stolz darauf, Ihnen eine große Auswahl an hochwertigen Leuchten zu fairen Preisen anbieten zu können und sind uns sicher, dass Sie in unserem Katalog das perfekte Angebot für Ihre nächsten Projekte finden werden. Wir wünschen Ihnen viel Spaß beim Durchblättern unseres Katalogs und freuen uns darauf, mit Ihnen gemeinsam Ihre nächsten Projekte zu verwirklichen.

Dear business partners and loyal EGLO
friends,

We are delighted to present the new EGLO Professional main catalogue. With this catalogue, we would like to introduce you to our extensive collection of high-quality luminaires and lighting systems, which we have developed with great attention to detail and a special focus on design, energy efficiency and quality. This catalogue marks the start of a new era in the EGLO Professional range. Under the motto “LIGHT AT THE HIGHEST LEVEL”, you will find a huge selection of selected standard products of the very highest quality and state-of-the-art technology in this catalogue. True to our motto “DESIGNED IN AUSTRIA - MADE IN EUROPE”, we look forward to receiving your enquiry about customised project solutions, which we manufacture to order in our state-of-the-art production facility in Pásztó (Hungary). We are proud to be able to offer you a large selection of high-quality lights at fair prices and are sure that you will find the perfect offer for your next projects in our catalogue. We hope you enjoy browsing through our catalogue and look forward to working with you to realise your next projects.

Chers partenaires commerciaux, fidèles
amis d'EGLO,

Nous sommes très heureux de vous présenter le nouveau catalogue principal d'EGLO Professional. Avec ce catalogue, nous souhaitons vous présenter notre vaste collection de luminaires et de systèmes d'éclairage haut de gamme, que nous avons développés avec un grand souci du détail et un accent particulier sur le design, l'efficacité énergétique et la qualité. Ce catalogue marque le début d'une nouvelle ère pour EGLO Professional. Sous la devise “LIGHT AT THE HIGHEST LEVEL”, vous trouverez dans ce catalogue un vaste choix de produits standard sélectionnés avec le plus haut niveau de qualité et les technologies les plus récentes. Fidèles à notre devise “DESIGNED IN AUSTRIA - MADE IN EUROPE”, nous nous ferons un plaisir de répondre à vos demandes concernant des solutions de projets personnalisées, que nous fabriquons sur commande dans notre usine ultramoderne de Pásztó (Hongrie). Nous sommes fiers de pouvoir vous proposer un grand choix de luminaires de haute qualité à des prix équitables et nous sommes certains que vous trouverez dans notre catalogue l'offre parfaite pour vos prochains projets. Nous vous souhaitons beaucoup de plaisir à feuilleter notre catalogue et nous nous réjouissons de réaliser vos prochains projets avec vous.

Mag. René Tiefenbacher
CEO EGLO Group



CHECK OUT OUR WEBSITE!



GLOBAL NETWORKING

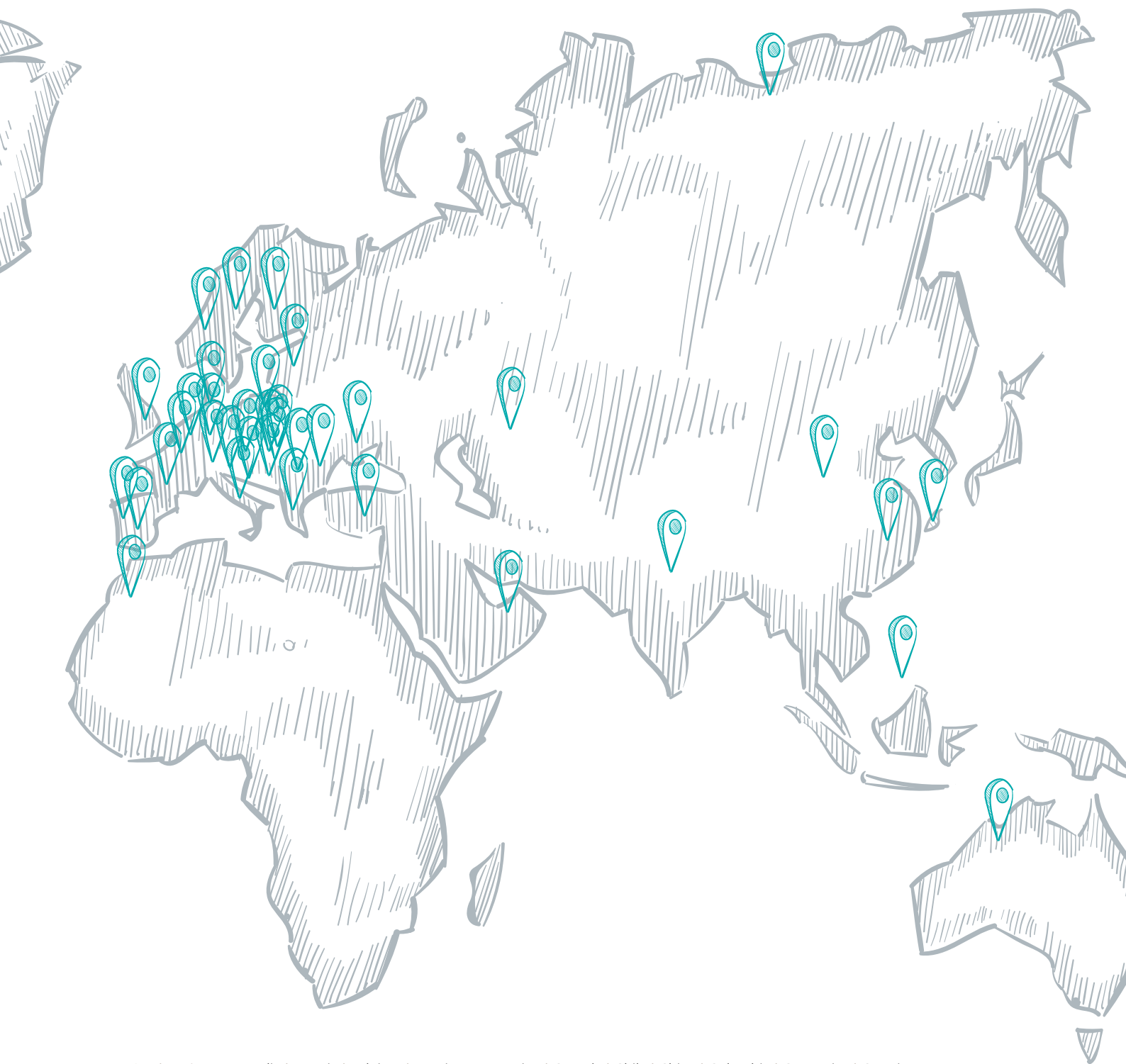


ALWAYS WITHIN REACH

Following the principle **"THINK GLOBAL - ACT LOCAL"**, customer proximity is a priority at EGLO.

Due to logistical and locational advantages, we guarantee excellent service for our end consumers. Individual needs can be addressed directly and promptly at a regional level, as our customer contacts are always within reach.

Furthermore, long delivery times are minimised by a well-developed logistics network, and products will easily find their way into consumer homes.



Our locations: Australia | Austria | Belgium | Bosnia-Herzegovina | Canada | Chile | China | Colombia | Costa Rica | Croatia | Czech Republic | Denmark | Estonia | Finland | France | Germany | Greece | Hong Kong | Hungary | India | Italy | Kazakhstan | Kosovo | Malaysia | Mexico | Morocco | Netherlands | Norway | Peru | Poland | Portugal | Romania | Russia | Serbia | Slovakia | Slovenia | Spain | Sweden | Switzerland | Taiwan | Turkey | Ukraine | United Arab Emirates | United Kingdom | USA

THE COMPANY

... since 1969



Employees

Over 5,500 motivated employees worldwide



Turnover

634 million euros



Sales Divisions

94 across the globe



Sold Products

100,000 products sold daily



Partnerships

In 120 countries on 6 continents



Warehouse & Storage Capacity

240,000 m² distributed over 18 warehouses worldwide



Production

in 3 Locations:
Hungary, China, and India, with 65,000 products produced per day



Newness

1,000 new designs and products per year



Design

80% of our own designs



EGLO'S HISTORY

From the heart of Tyrol to the **world**.

EGLO's **success story** began around 50 years ago when Ludwig Obwieser opened a small electrical retailer, which has since become a global corporation in the interior and exterior lighting industry. EGLO's history was established in 1969 when the founder returned from a trip to Milan. Soon after, the first Italian lights landed in the shop windows of specialist retailers. After the first orders in Salzburg, Austria, EGLO expanded, and production started in Pill, Tyrol - where the company headquarters remains.

The **company's development** continues to accelerate at high speeds: from the number of employees and sales development to the production facilities and subsidiaries around the world. For EGLO to continue future growth, business development is driven forward with sustainable thinking. With the concept of the EGLO World of Lights, a flagship showroom near the headquarters, EGLO is showing its love for lighting and paving the way for an even brighter future.

EGLO is a family business and can therefore act independently. From the start, control over development, production and logistics has been a **success factor** for business growth. For that reason, EGLO continues to observe market developments closely, manufactures products efficiently and offers care and support to all customers.

Every day we learn and invest in our customers, our partners, our employees, our products and our service - worldwide.

OUR MILESTONES

1969

Foundation

By Ludwig Obwieser

1986

Globalisation

EGLO's globalisation began in the 80s and 90s. The first step was taken in 1986 when a sales company was founded in Germany



2001

Commissioning: Production Facility in China

Opening of the site in China, incl. showroom and production building

2016

Expanding the Range: Smart Lights

Development and production of Smart Lights: EGLO connect

1976

In-House Production

At the company headquarters in Pill



1994

Commissioning: Production Facility in Hungary

Expansion through a company-owned production facility in Pásztó, Hungary

2015

Commissioning: Production Facility in India

Another expansion for EGLO's Lighting production



2017

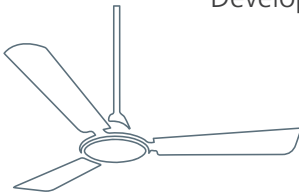
Extension: Hungary Location

Expansion of the warehouse and production area in Hungary

2019

Expanding the Range: EGLO Fans

Development and introduction of ceiling fans



2019

Market Launch: EGLO Webshops

Optimisation of international EGLO websites & establishment of country specific Webshops

2020

Expansion of the Product Portfolio

Majority takeover of the Swedish company Star Trading



2020

Investment: In the Smart Control Industry

Acquisition of the company AwoX SAS in France for further development in the field of Smart Control

2021

Commissioning: Logistics Centre in Magdeburg

Storage space for around 74,000 pallets, optimised e-Commerce shipping area, and 150 employees on site



2021

Bartenbach

Acquisition of shares in the most important independent lighting designer in Europe

2022

Expanding the Range

Introduction of the EGLO Living brand

2023

EGLO World of Lights

Opening of the largest lighting showroom in Europe

WHAT WE STAND FOR OUR MISSION

OUR GUIDING PRINCIPLE

01

PROFESSIONALISM & VALUE

As an established, professional supplier of luminaires and lighting systems, we guarantee our customers and partners sustainable added value through responsible action.

02

QUALITY & SATISFACTION

We pursue the goal of conveying the joy of high-end lighting solutions to our customers and partners through appealing products at a high level of quality.

03

ALL-ROUNDER & SERVICE PROVIDER

As an all-rounder and full-service provider, it is important to us to support customers and partners in the purchase of appealing products in all life (lighting) situations with a consistently high delivery rate.

04

MOTIVATION & SOLUTIONS

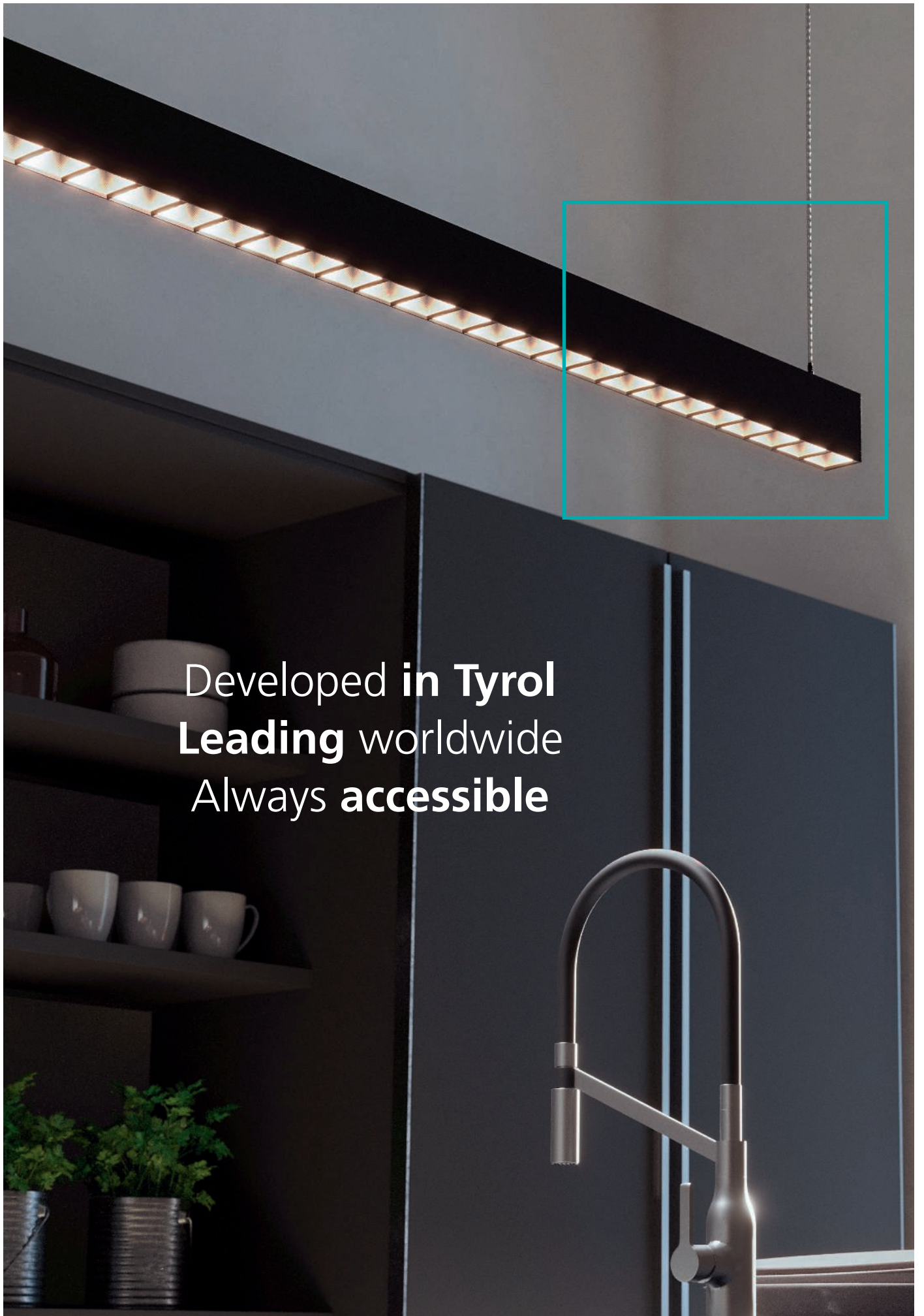
Motivated employees and top managers enable us to make decisions quickly and thus focus on competent solutions for customers and partners.

05

GLOBALISATION & EXPERTISE

Our focus is to bring EGLO lighting solutions to our partners' projects worldwide and to be the most competent partner for our customers.





Developed in **Tyrol**
Leading worldwide
Always **accessible**

OUR MISSION

We design luminaires for our customers following the EGLO philosophy:

my light | my style

OUR VISION

Pairing contemporary designs with high functionality at affordable prices, suitable for any space.

SUSTAINABILITY IN A NEW LIGHT

... because the **environment** is important to us.

Sustainability is a top priority at EGLO. In 2022, the EGLO headquarters and the production facility in India were ISO 14001 certified. Since then, we continue to ensure other production facilities and global branches are certified and working towards becoming climate-neutral. We are proud to have received the climate-neutral company approval for our headquarters, and we can offer customers climate-neutral products worldwide.

At EGLO, we work sustainably on all levels. Therefore, it is important to us that we involve employees and inform them about newly implemented environmentally friendly measures. As a global company, we ensure fair pay, health and safety at work while committing ourselves and our suppliers to comply with **BSCI** and International Labour Organization (ILO) guidelines.

From Pill to around the world, together with our subsidiaries and production facilities, we pay attention to the efficient use of resources and value environmentally friendly and natural materials. For this reason, we work tirelessly to expand the certifications of our product groups and locations.

With **recyclable, compostable, and biodegradable packaging** we are gradually paving the way to a more sustainable future.

Many of the materials, luminaires, furniture, and decorative items used at EGLO are already **FSC**-certified. Furthermore, we are proud that all our production sites and 35 EGLO branches also hold the **FSC** certification.

EGLO is committed to meeting **11 of the 17 UN Sustainable Development Goals (SDGs)**. Thus, supporting sustainable projects and research for a better and greener future.



GOALS

FOR SUSTAINABLE DEVELOPMENT (SDGs)

1. No Poverty (*SDG 1*)
2. Zero Hunger (*SDG 2*)
3. Good Health and Well-being (*SDG 3*)
4. Quality Education (*SDG 4*)
5. Clean Water and Sanitation (*SDG 6*)
6. Affordable and Clean Energy (*SDG 7*)
7. Decent Work and Economic Growth (*SDG 8*)
8. Industry, Innovation, and Infrastructure (*SDG 9*)
9. Climate Action (*SDG 13*)
10. Life on Land (*SDG 15*)
11. Partnerships to Achieve the Goals (*SDG 17*)



IN-HOUSE PRODUCTION



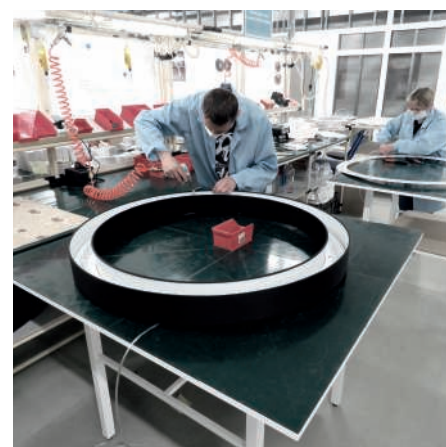
EGLO's second largest logistics location and at the same time oldest production facility in Pásztó, Hungary bundles a wide range of core competencies, making the location an important hub of the EGLO Group. The branch is characterised by its special know-how in the field of packaging and logistics as well as wood production for POS and lighting equipment. Furthermore, Pásztó focuses on customer-specific adaptations, volume-intensive manufacturing and serves as a specialized workshop for the production of EGLO Professional products.

EGLO Professional products are manufactured in our state-of-the-art factory in Hungary - MADE IN EUROPE. Unlike most of our competitors, we still manufacture our own products and are not just a trader. This means that we can modify production processes at very short notice and thus realise your individually customised products with maximum flexibility at unbeatable price/performance ratios.

With EGLO Professional, you will therefore be receiving high-quality products made with sophisticated lighting technology at an unbeatable price/performance ratio. Our very high degree of in-house production using our own metalworking facilities, laser-cutting equipment, ultra-modern powder coating plant, large-format printer for a wide range of materials, and our own packaging production, and complex operations such as hand-painting our products or applying gold leaf ensure maximum flexibility!

By using premium quality and top efficiency LEDs, we can achieve very high luminous efficiencies with a long service life, resulting in considerable savings in energy and maintenance costs.

OUR QUALITY PLEDGE!



PRODUCTION

100% quality standard!

Our LED drivers comes exclusively from renowned European manufacturers.

Our in-house laboratories with photometric measuring equipment (photogoniometer & integrating sphere), lifetime measurement, damp room and temperature simulation enable us to guarantee the technical and qualitative safety of our products in the best possible way.

Due to the use of high-quality components and professional in-house production, we can offer a 5-year guarantee on our EGLO Professional articles.

On request we are able to do "Special designs" from single items to small series and large series.



PRODUKT FAMILIEN

Product Families

Familles De Produits



LINE 40

HIGH EFFICIENCY

The high luminous output at low power provides an energy efficient luminaire – up to 142 lm/W.

4 MOUNTING VERSIONS

The luminaire is available as surface, pendant, recessed or wall luminaire.

MAKE YOUR WISH COME TRUE

An including sensor, emergency light or many other options are available on demand.

INDIVIDUAL SHAPES

Due to a modular system, we can make a special form for your desire.

LIGHT WHERE YOU WANT IT

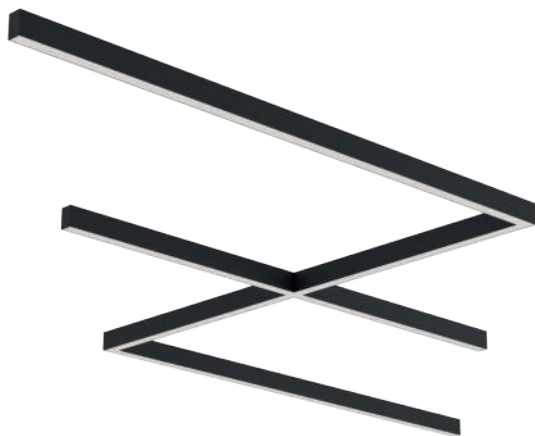
The luminaire is available either with direct light only or also with additional indirect light.

SMALL SIZE

The direct luminaire has a height of 62mm – 10mm less than the direct + indirect profile.

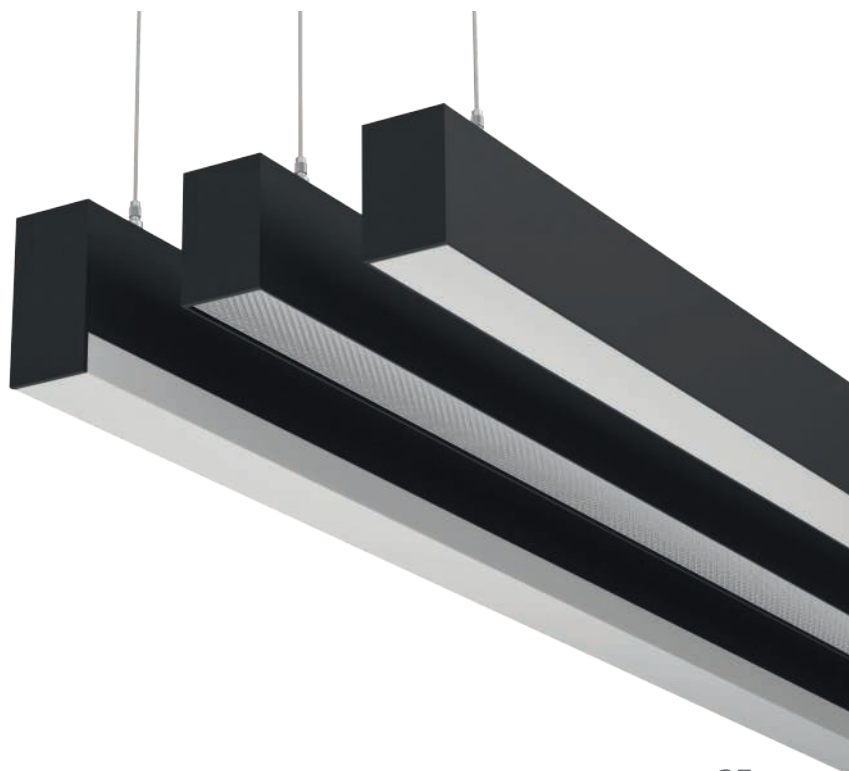
DIFFERENT COLOURS

The housing is available in RAL 9005 black, RAL 9006 silver and RAL 9016 white – RAL of your choice on demand.



3 DIFFERENT DIRECT COVERS

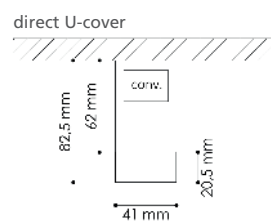
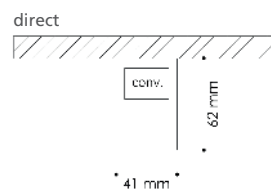
- Opal flat
- Microprism flat
- Opal U-shaped



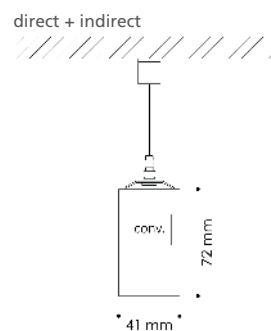
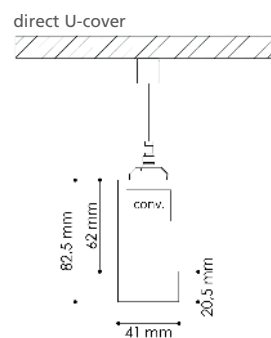
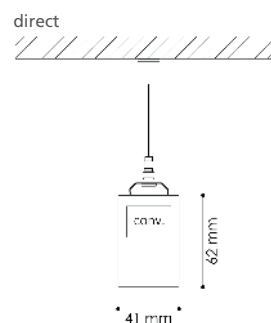
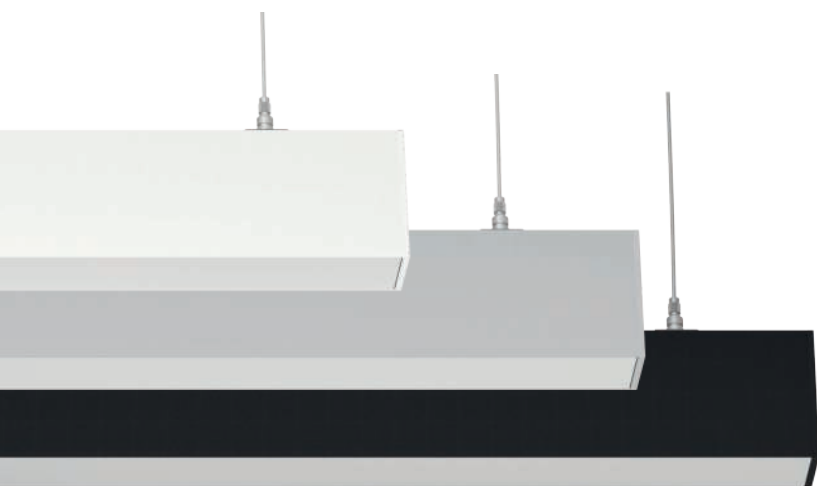
LINE40

ÜBERSICHT | OVERVIEW | VUE D'ENSEMBLE

ANBAULEUCHE | SURFACE MOUNTED LUMINAIRE | LUMINAIRE EN SAILLIE



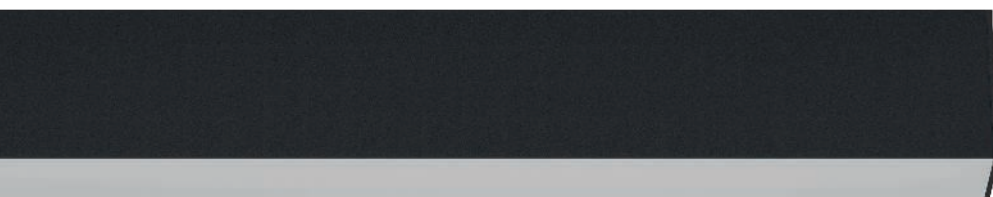
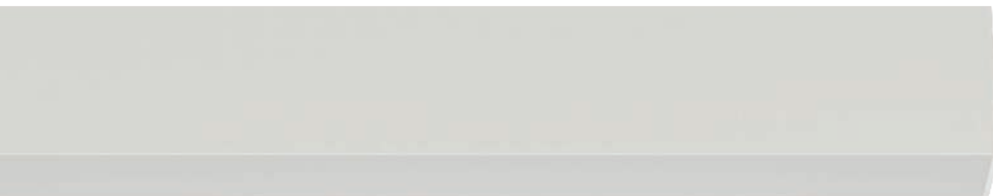
HÄNGELEUCHE | PENDANT LUMINAIRE | SUSPENSION



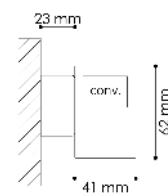
LINE40

ÜBERSICHT | OVERVIEW | VUE D'ENSEMBLE

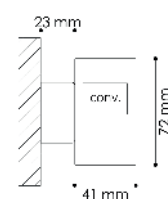
WANDLEUCHE | WALL LUMINAIRE | APPLIQUE MURALE



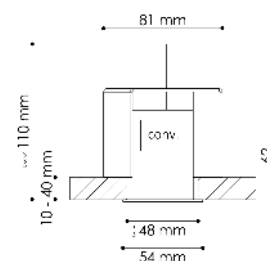
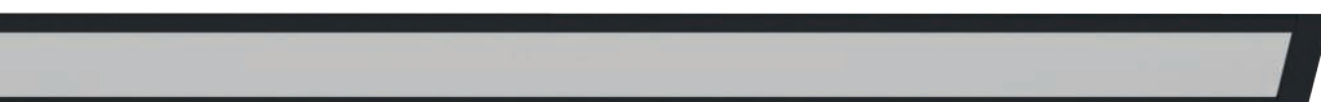
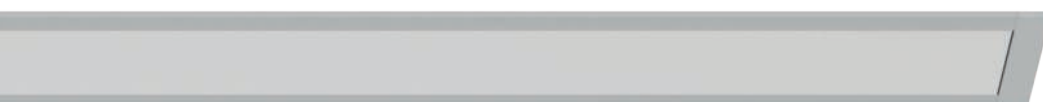
direct



direct + indirect



EINBAULEUCHE | RECESSED LUMINAIRE | LUMINAIRE ENCASTRABLE





LINE50

HIGH EFFICIENCY

The high luminous output at low power provides an energy efficient luminaire – up to 141 lm/W.

4 MOUNTING VERSIONS

The luminaire is available as surface, pendant, recessed or wall luminaire.

DYNAMIC WHITE

Besides the unicoloured colour temperatures, dynamic white (2700K–6500K) is also available.

MAKE YOUR WISH COME TRUE

An including sensor, emergency light or many other options are available on demand.

INDIVIDUAL SHAPES

Due to a modular system, we can make a special form for your desire.

LIGHT WHERE YOU WANT IT

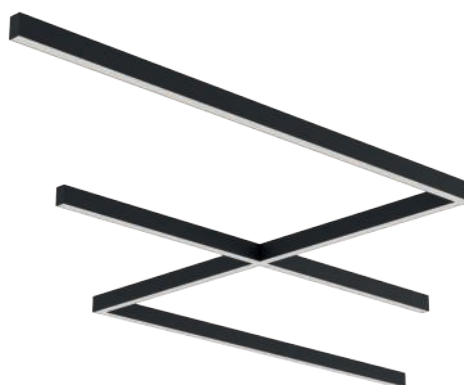
The luminaire is available either with direct light only or also with additional indirect light.

NOT ONLY SYMMETRICAL

An asymmetrical light distribution is possible thanks to a special foil.

DIFFERENT COLOURS

The housing is available in RAL 9005 black, RAL 9006 silver and RAL 9016 white – RAL of your choice on demand.



LINE50hex

LINE50 as hexagon or square shape with welded corners in 3 sizes each are already included in the standard portfolio.

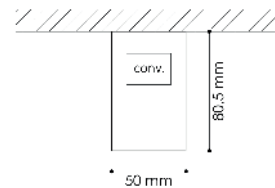
LINE50quad



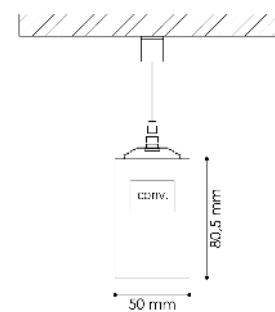
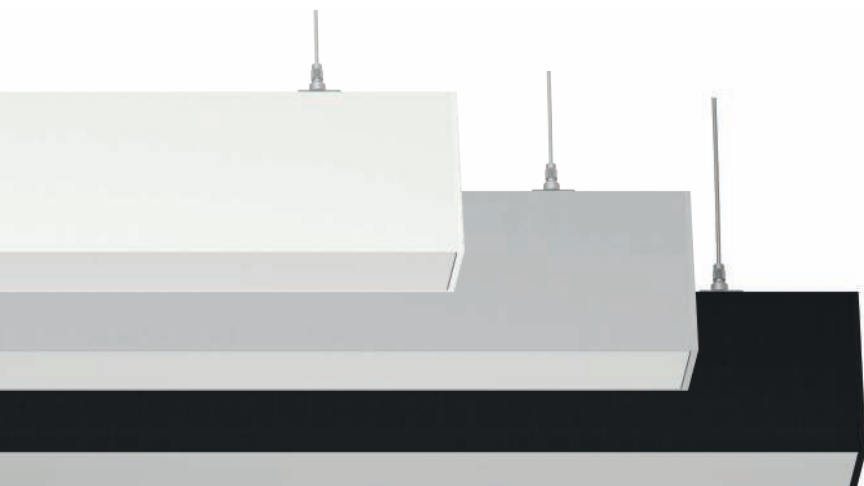
LINE50

ÜBERSICHT | OVERVIEW | VUE D'ENSEMBLE

ANBAULEUCHE | SURFACE MOUNTED LUMINAIRE | LUMINAIRE EN SAILLIE



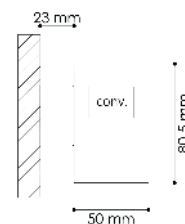
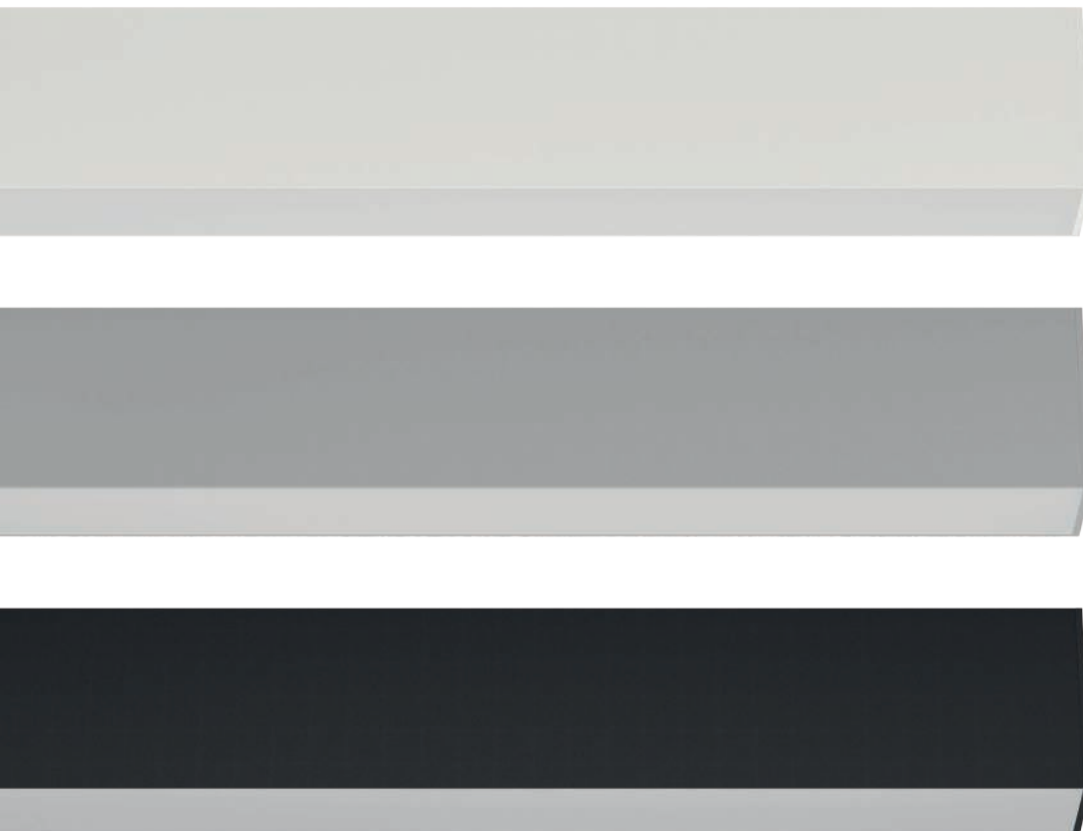
HÄNGELEUCHE | PENDANT LUMINAIRE | SUSPENSION



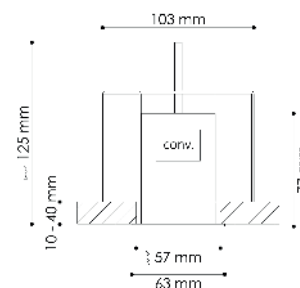
LINE50

ÜBERSICHT | OVERVIEW | VUE D'ENSEMBLE

WANDLEUCHTE | WALL LUMINAIRE | APPLIQUE MURALE



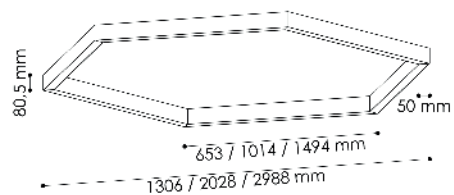
EINBAULEUCHTE | RECESSED LUMINAIRE | LUMINAIRE ENCASTRABLE



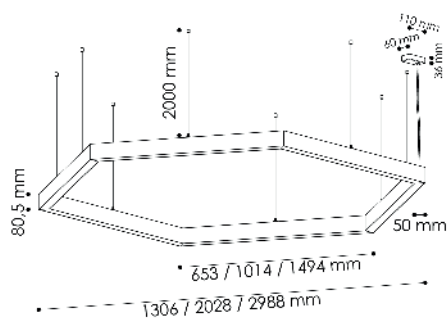
LINE50hex

ÜBERSICHT | OVERVIEW | VUE D'ENSEMBLE

ANBAULEUCHTE | SURFACE MOUNTED LUMINAIRE | LUMINAIRE EN SAILLIE



HÄNGELEUCHTE | PENDANT LUMINAIRE | SUSPENSION

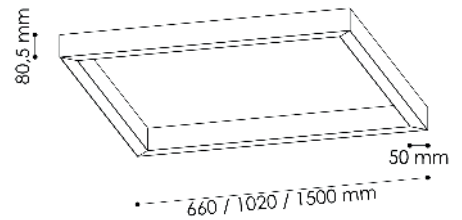




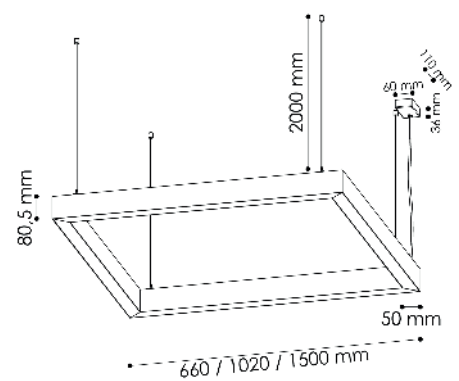
LINE50quad

ÜBERSICHT | OVERVIEW | VUE D'ENSEMBLE

ANBAULEUCHE | SURFACE MOUNTED LUMINAIRE | LUMINAIRE EN SAILLIE



HÄNGELEUCHE | PENDANT LUMINAIRE | SUSPENSION







officeLINE50

HIGH EFFICIENCY

The high luminous output at low power provides an energy efficient luminaire – up to 146 lm/W.

3 MOUNTING VERSIONS

The luminaire is available as surface, pendant or recessed luminaire.

SENSOR

The 3 most common lengths of the pendant luminaire are also available with a sensor as standard.

PERFECT FOR YOUR WORK DESK

Special reflectors provide a glare-free light distribution (UGR<19).

LIGHT WHERE YOU WANT IT

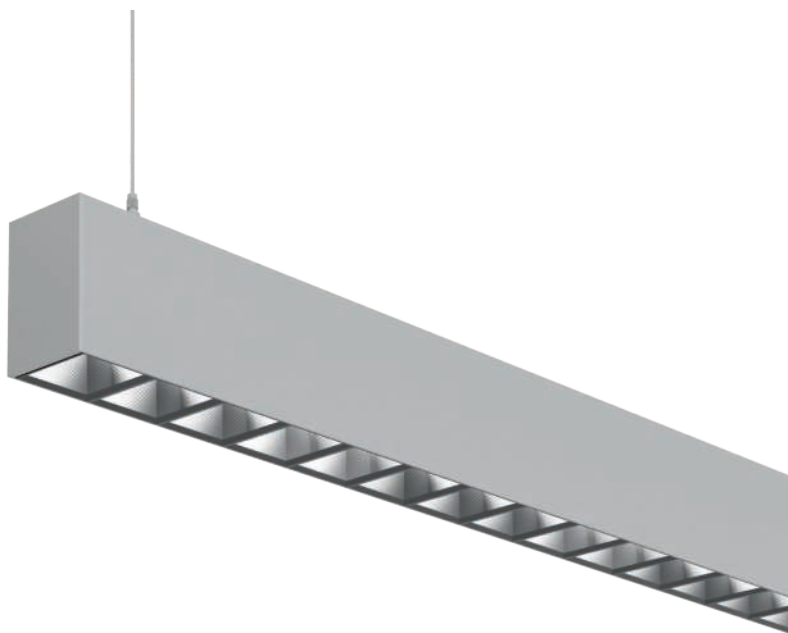
The luminaire is available either with direct light only or also with additional indirect light.

DYNAMIC WHITE

Besides the unicoloured colour temperatures, dynamic white (2700K–6500K) is also available.

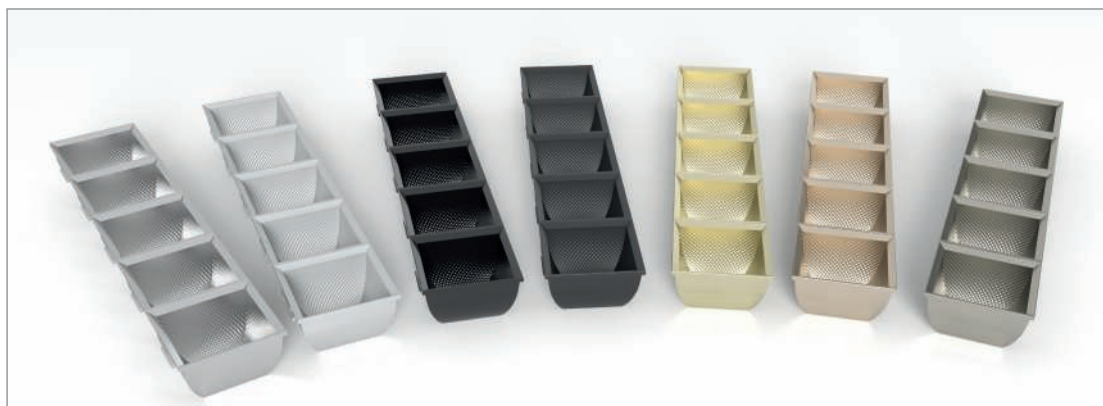
MAKE YOUR WISH COME TRUE

An including sensor, emergency light or many other options are available on demand.



SOMETHING FOR EVERY TASTE

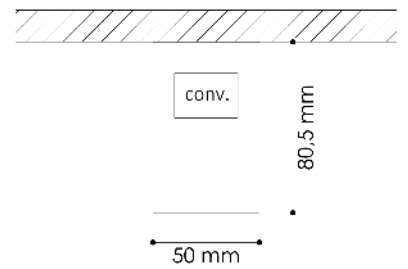
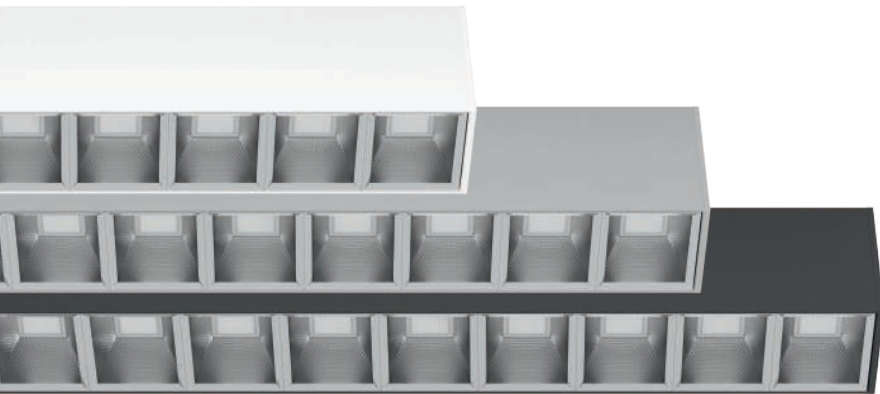
- 7 different reflector colours and finishes
- 3 different housing colours
- RAL of your choice for the housing on demand



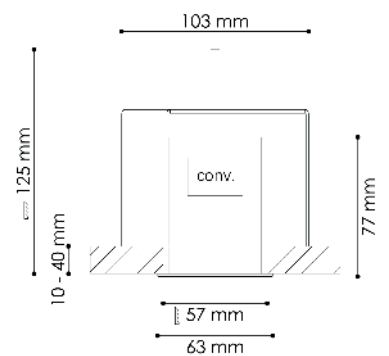
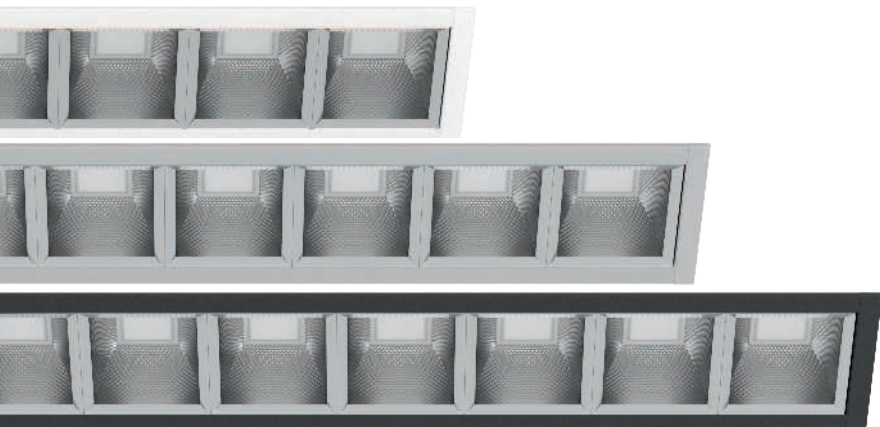
officeLINE50

ÜBERSICHT | OVERVIEW | VUE D'ENSEMBLE

ANBAULEUCHE | SURFACE MOUNTED LUMINAIRE | LUMINAIRE EN SAILLIE



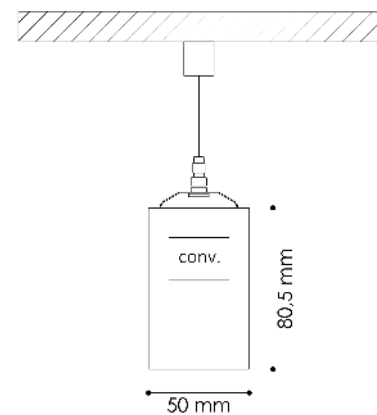
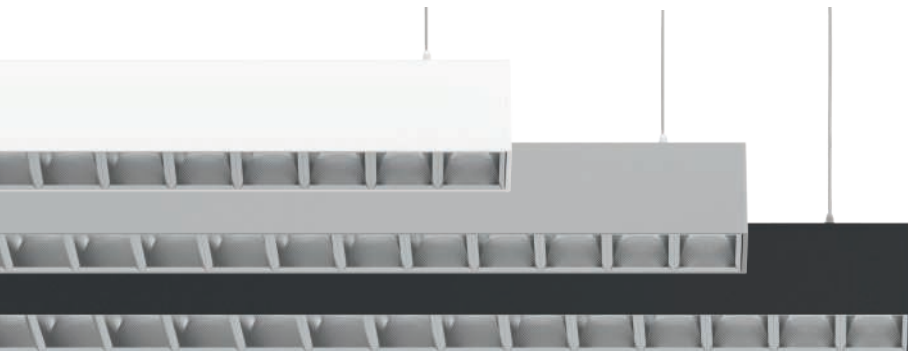
EINBAULEUCHE | RECESSED LUMINAIRE | LUMINAIRE ENCASTRABLE



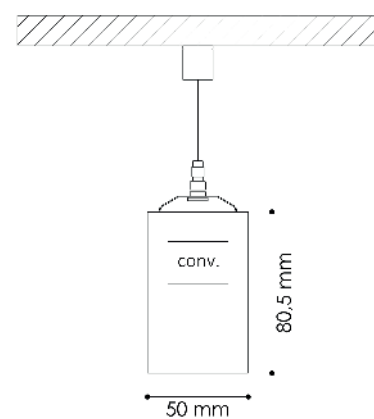
officeLINE50

ÜBERSICHT | OVERVIEW | VUE D'ENSEMBLE

HÄNGELEUCHE | PENDANT LUMINAIRE | SUSPENSION



HÄNGELEUCHE MIT SENSOR | PENDANT LUMINAIRE WITH SENSOR | LUMINAIRE SUSPENDOU AVEC CAPTEUR





LINE 70

HIGH EFFICIENCY

The high luminous output at low power provides an energy efficient luminaire – up to 160 lm/W.

4 MOUNTING VERSIONS

The luminaire is available as surface, pendant, recessed or wall luminaire.

DIFFERENT COLOURS

The housing is available in RAL 9005 black, RAL 9006 silver and RAL 9016 white – RAL of your choice on demand.

INDIVIDUAL SHAPES

Due to a modular system, we can make a special form for your desire.

LIGHT WHERE YOU WANT IT

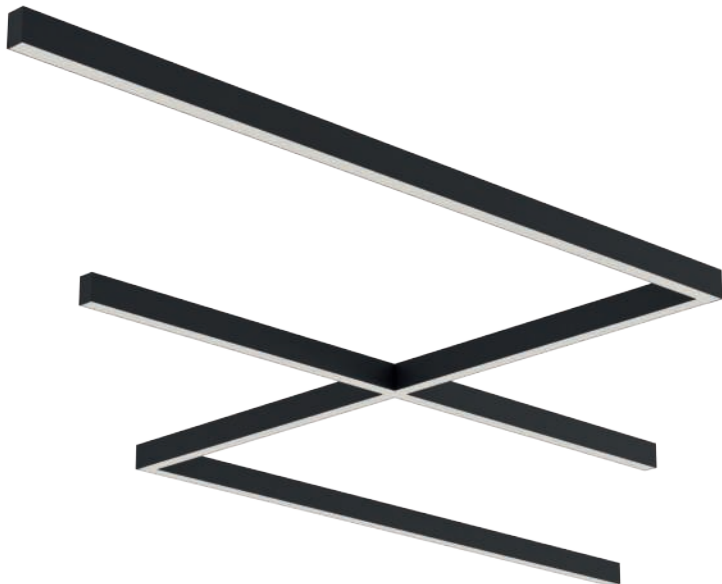
The luminaire is available either with direct light only or also with additional indirect light.

DYNAMIC WHITE

Besides the unicoloured colour temperatures, dynamic white (2700K–6500K) is also available.

MAKE YOUR WISH COME TRUE

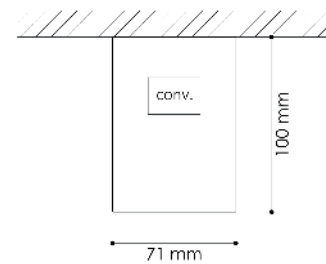
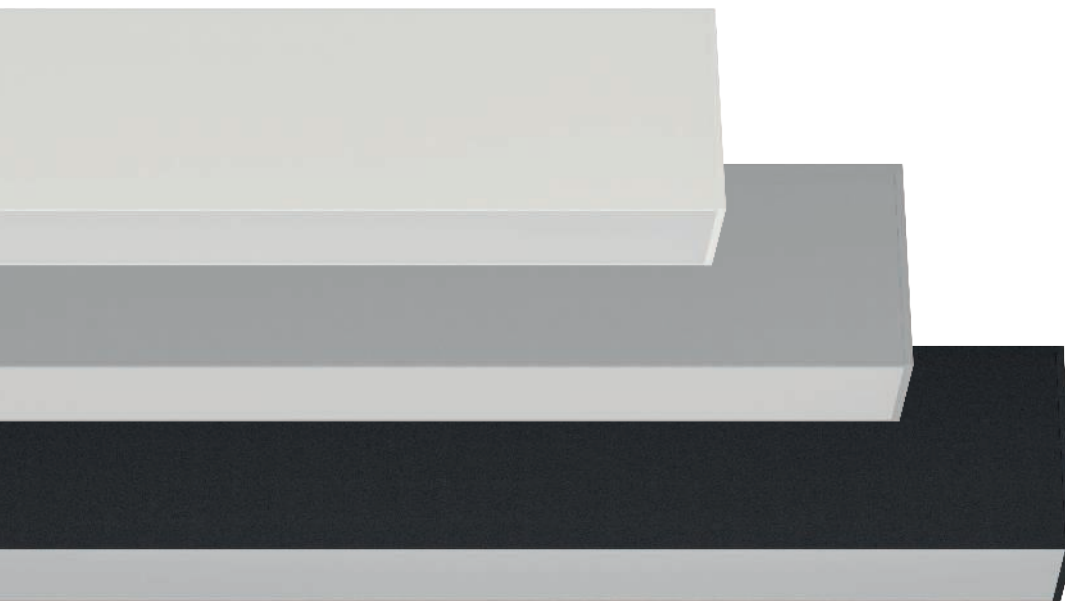
An including sensor, emergency light or many other options are available on demand.



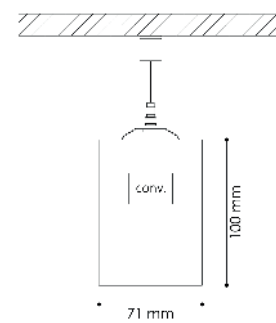
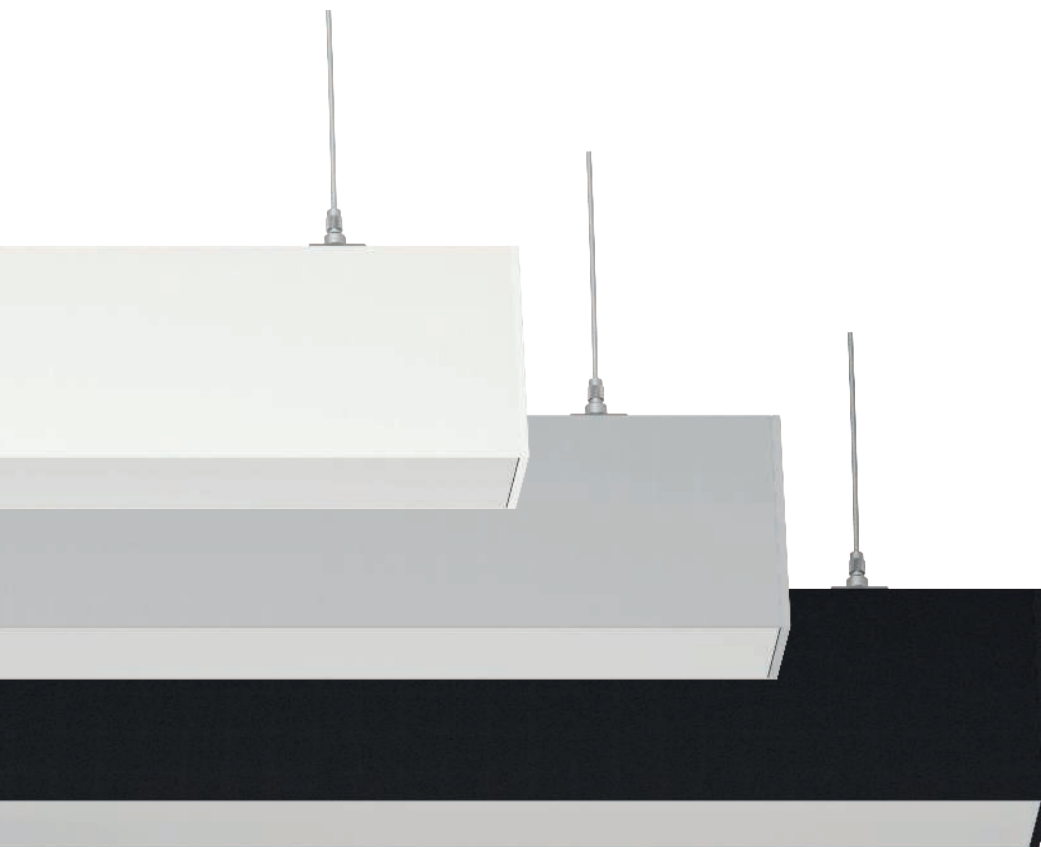
LINE 70

ÜBERSICHT | OVERVIEW | VUE D'ENSEMBLE

ANBAULEUCHE | SURFACE MOUNTED LUMINAIRE | LUMINAIRE EN SAILLIE



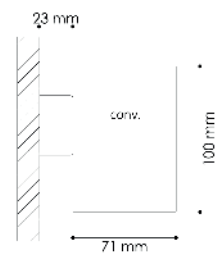
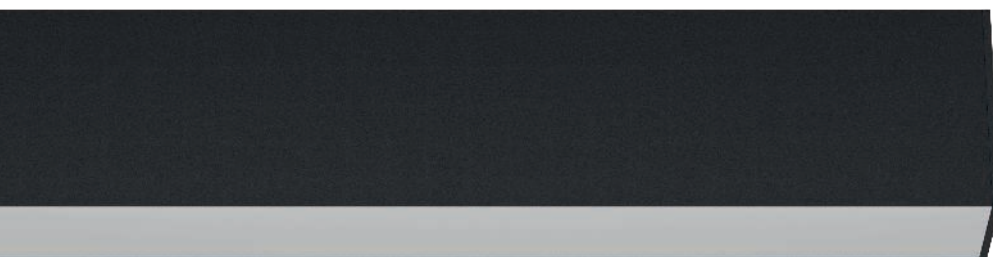
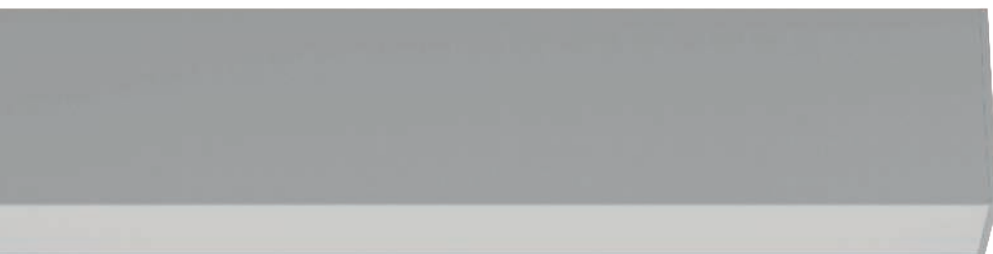
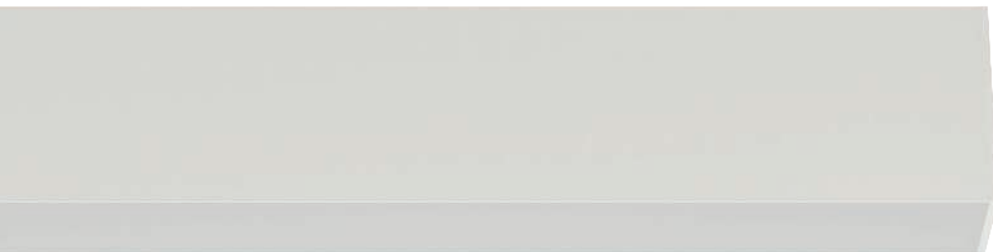
HÄNGELEUCHE | PENDANT LUMINAIRE | SUSPENSION



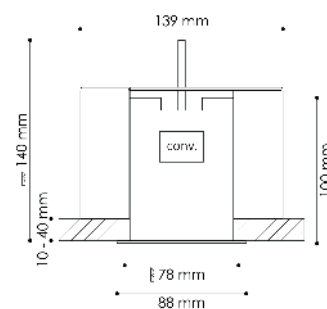
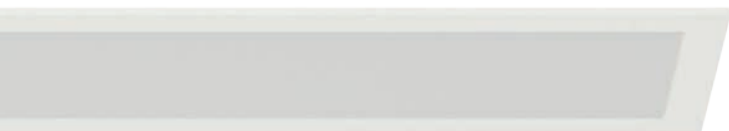
LINE70

ÜBERSICHT | OVERVIEW | VUE D'ENSEMBLE

WANDLEUCHE | WALL LUMINAIRE | APPLIQUE MURALE



EINBAULEUCHE | RECESSED LUMINAIRE | LUMINAIRE ENCASTRBALE





RING50

HIGH EFFICIENCY

The high luminous output at low power provides an energy efficient luminaire – up to 132 lm/W.

3 MOUNTING VERSIONS

The luminaire is available as surface, pendant or recessed luminaire.

DIFFERENT COLOURS

The housing is available in RAL 9005 black, RAL 9006 silver and RAL 9016 white – RAL of your choice on demand.

LARGE SELECTION OF SIZES

The luminaire is available in 9 different diameters.

LIGHT WHERE YOU WANT IT

The luminaire is available either with direct light only or also with additional indirect light.

DYNAMIC WHITE

Besides the unicoloured colour temperatures, dynamic white (2700K–6500K) is also available.

MAKE YOUR WISH COME TRUE

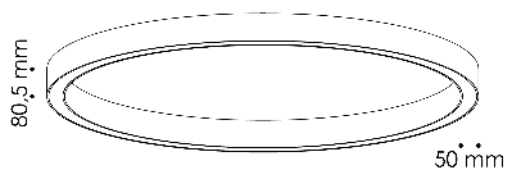
An including emergency light or many other options are available on demand.



RING50

ÜBERSICHT | OVERVIEW | VUE D'ENSEMBLE

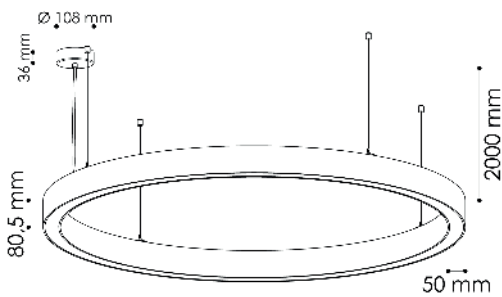
ANBAULEUCHE | SURFACE MOUNTED LUMINAIRE | LUMINAIRE EN SAILLIE



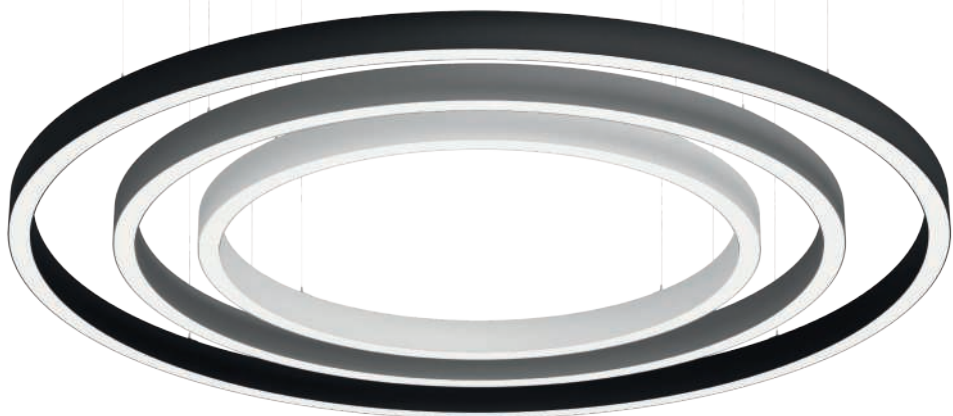
• Ø 1220 / 1575 / 2020 / 2595 / 3090 /
3535 / 4070 / 5050 / 6075 mm •



HÄNGELEUCHE | PENDANT LUMINAIRE | SUSPENSION



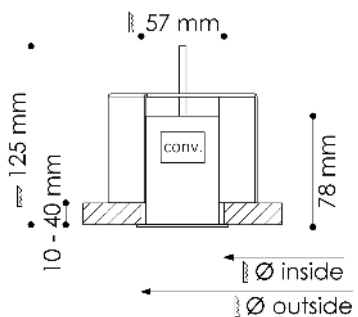
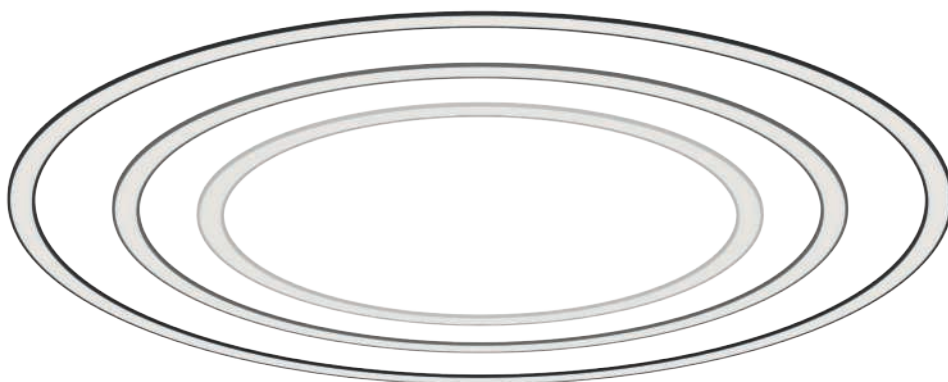
• Ø 1220 / 1575 / 2020 / 2595 / 3090 /
3535 / 4070 / 5050 / 6075 mm •



RING50

ÜBERSICHT | OVERVIEW | VUE D'ENSEMBLE

EINBAULEUCHE | RECESSED LUMINAIRE | LUMINAIRE ENCASTRABLE





FLEX50

HIGH EFFICIENCY

The high luminous output at low power provides an energy efficient luminaire – up to 132 lm/W.

3 MOUNTING VERSIONS

The luminaire is available as surface, pendant or recessed luminaire.

DIFFERENT COLOURS

The housing is available in RAL 9005 black, RAL 9006 silver and RAL 9016 white – RAL of your choice on demand.

LARGE SELECTION OF SIZES

With 13 different segments – curved and straight – you can create nearly any shape.

LIGHT WHERE YOU WANT IT

The luminaire is available either with direct light only or also with additional indirect light.

DYNAMIC WHITE

Besides the unicoloured colour temperatures, dynamic white (2700K–6500K) is also available.

MAKE YOUR WISH COME TRUE

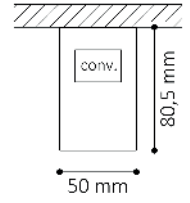
An including emergency light or many other options are available on demand.



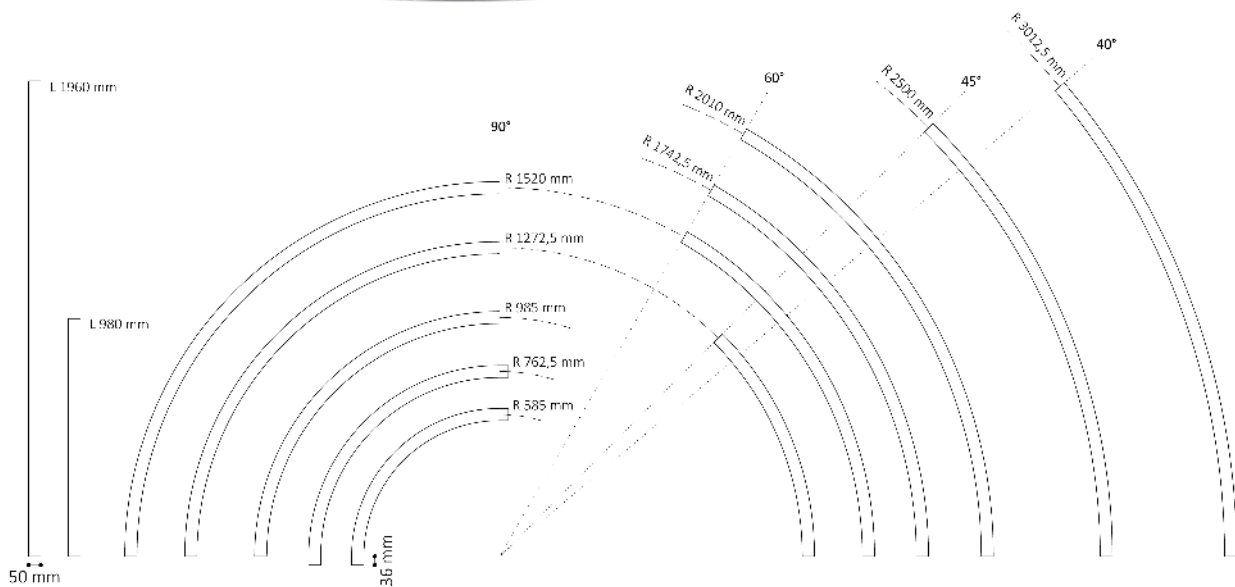
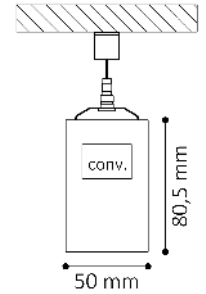
FLEX50

ÜBERSICHT | OVERVIEW | VUE D'ENSEMBLE

ANBAULEUCHTE | SURFACE MOUNTED LUMINAIRE | LUMINAIRE EN SAILLIE



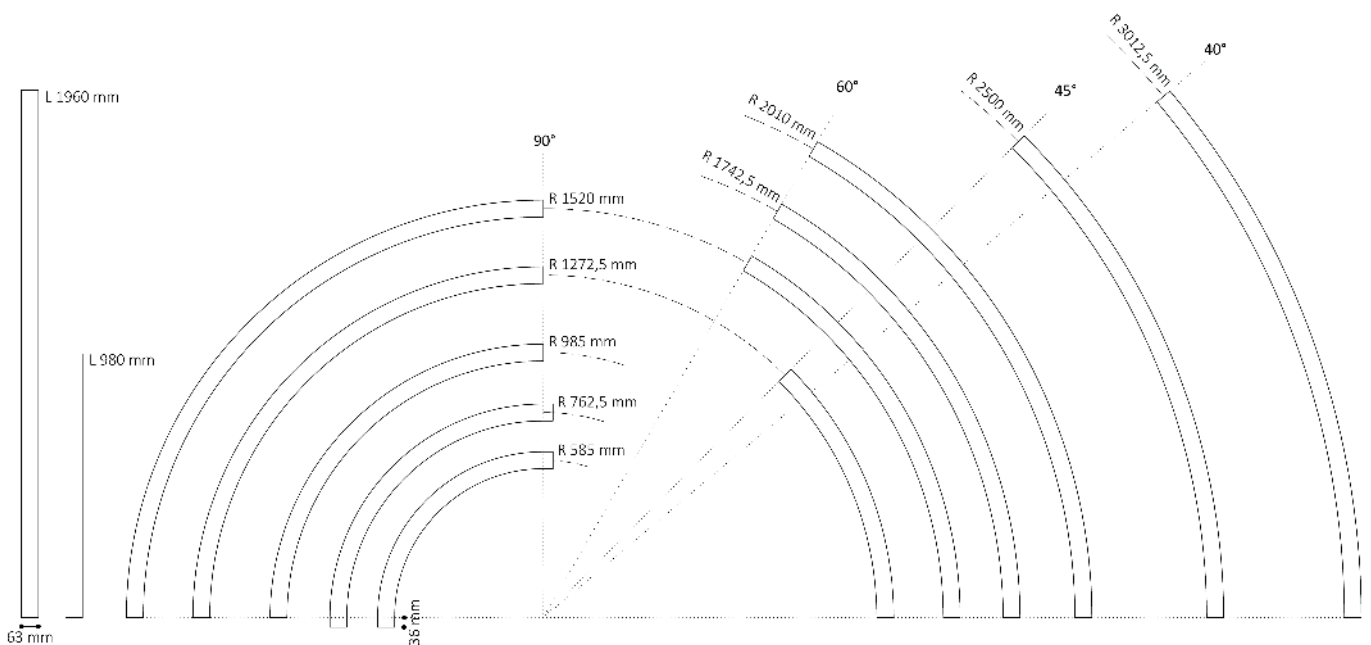
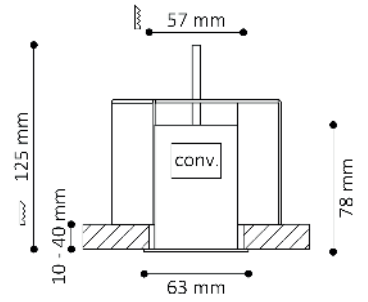
HÄNGELEUCHE | PENDANT LUMINAIRE | SUSPENSION



FLEX50

ÜBERSICHT | OVERVIEW | VUE D'ENSEMBLE

EINBAULEUCHE | RECESSED LUMINAIRE | LUMINAIRE ENCASTRABLE





ROUND90

HIGH EFFICIENCY

The high luminous output at low power provides an energy efficient luminaire - up to 174 lm/W.

LIGHT WHERE YOU WANT IT

The luminaire is available either with direct light only or also with additional indirect light.

SLIDE & LIGHT

Simply sliding the housing into the canopy allows an easy installation of the surface luminaire.

ROTATE & FIX

The recessed luminaire can be fixed easily into the mounting frame by inserting and rotating

NO INSECTS – NO PROBLEMS

With an IP50 rating, the luminaire housing is protected against insects and dust.

DYNAMIC WHITE

Besides the unicoloured colour temperatures, dynamic white (2700K–6500K) is also available.

MAKE YOUR WISH COME TRUE

Besides the unicoloured colour temperatures, dynamic white (2700K–6500K) is also available.

4 DIFFERENT SIZES 4 DIFFERENT SUSPENSION TYPES



KEEP IT SIMPLE BUT MAKE IT UNIQUE

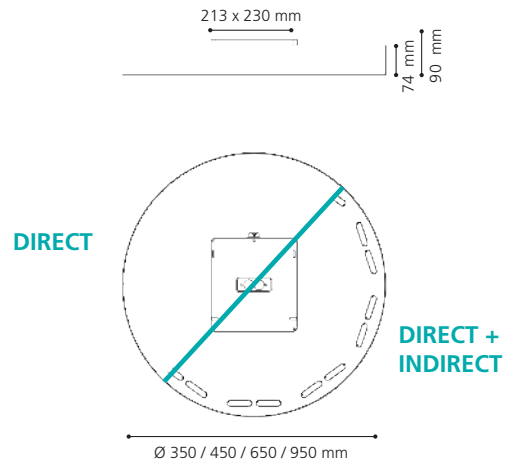
- 3 different housing colours
- 6 different decoration ring colours
- RAL colour of your choice on demand



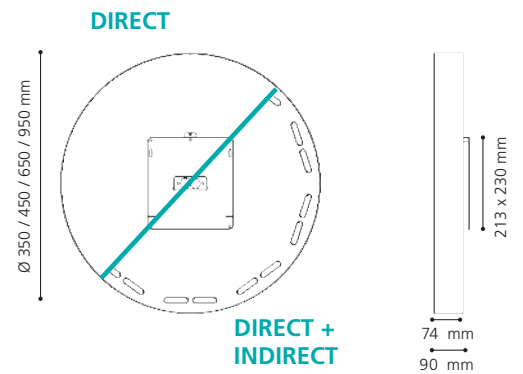
ROUND90

ÜBERSICHT | OVERVIEW | VUE D'ENSEMBLE

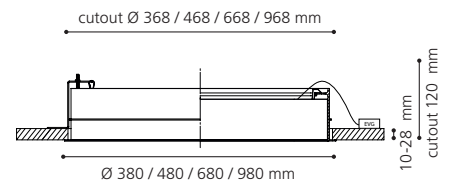
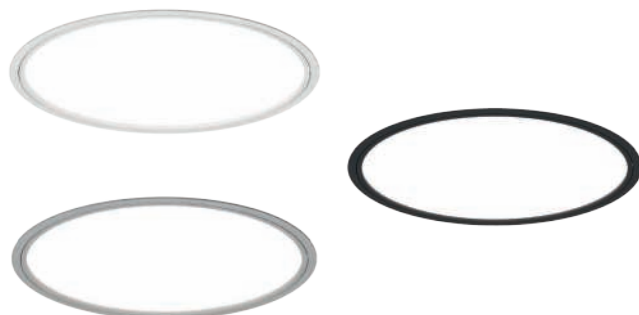
ANBAULEUCHTE | SURFACE MOUNTED LUMINAIRE | LUMINAIRE EN SAILLIE



WANDLEUCHTE | WALL LUMINAIRE | APPLIQUE MURALE



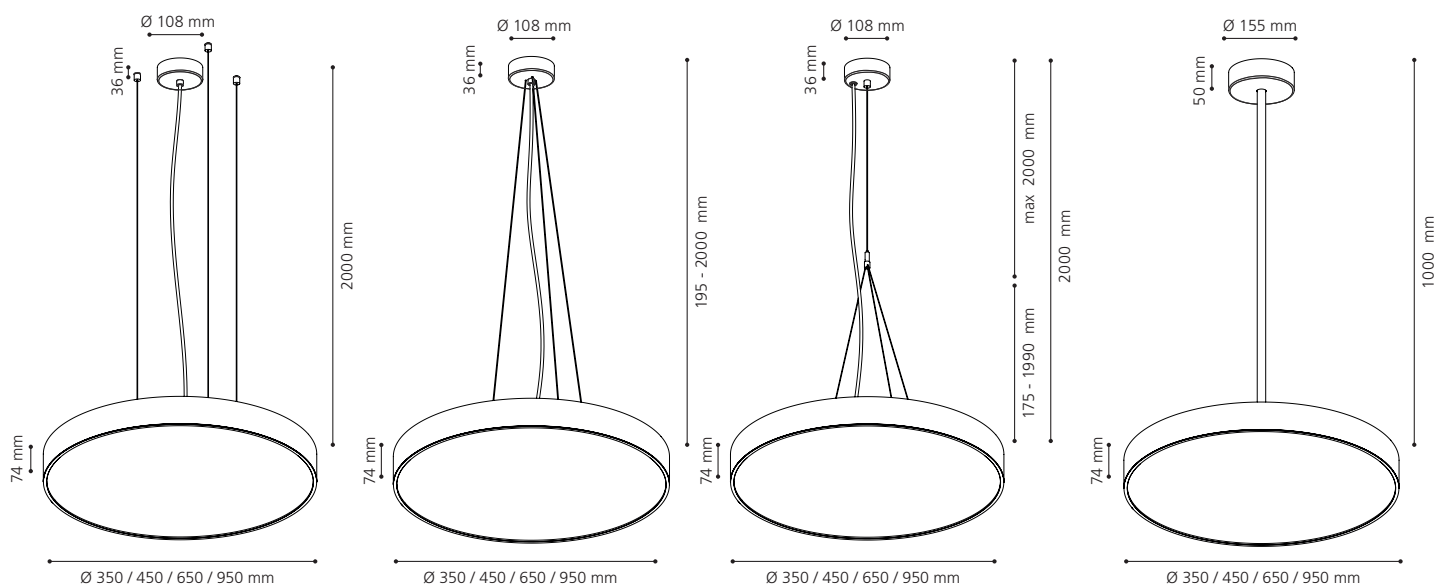
EINBAULEUCHTE | RECESSED LUMINAIRE | LUMINAIRE ENCASTRABLE



ROUND90

ÜBERSICHT | OVERVIEW | VUE D'ENSEMBLE

HÄNGELEUCHE | PENDANT LUMINAIRE | SUSPENSION





SQUARE 90

HIGH EFFICIENCY

The high luminous output at low power provides an energy efficient luminaire - up to 175 lm/W.

LIGHT WHERE YOU WANT IT

The luminaire is available either with direct light only or also with additional indirect lighting.

SLIDE & LIGHT

Simply sliding the housing into the canopy allows an easy installation of the surface luminaire.

DYNAMIC WHITE

Besides the unicoloured colour temperatures, dynamic white (2700K–6500K) is also available.

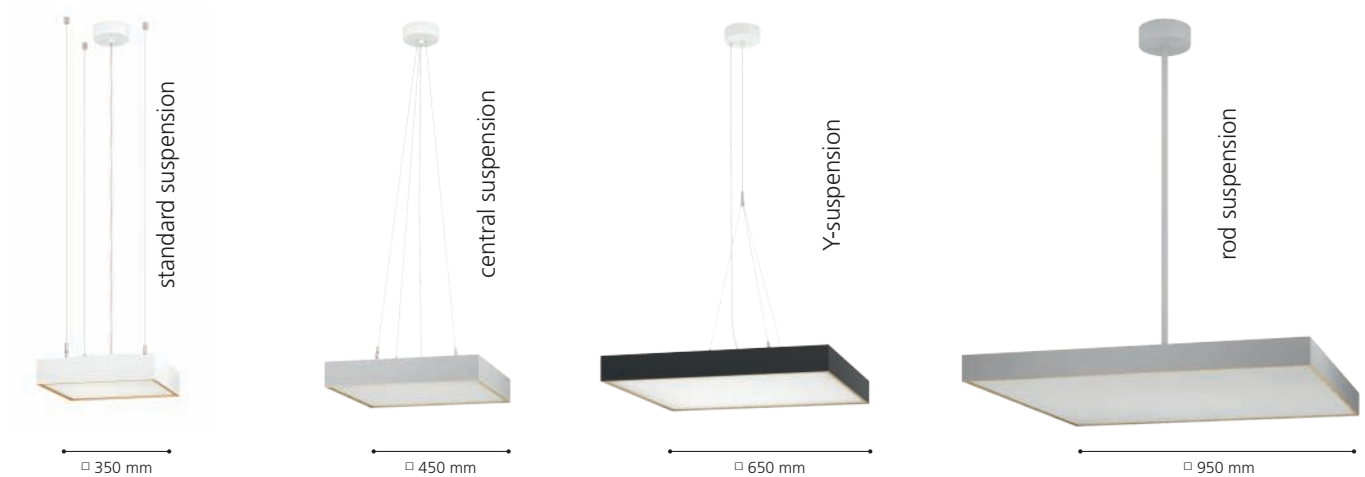
NO INSECTS – NO PROBLEMS

With an IP50 rating, the luminaire housing is protected against insects and dust.

MAKE YOUR WISH COME TRUE

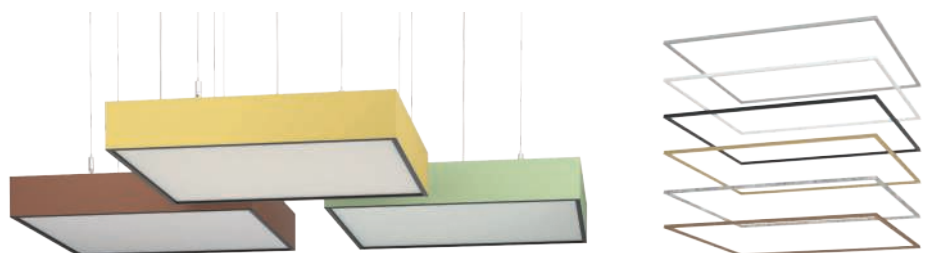
An including sensor, emergency light or many other options are available on demand.

4 DIFFERENT SIZES 4 DIFFERENT SUSPENSION TYPES



KEEP IT SIMPLE BUT MAKE IT UNIQUE

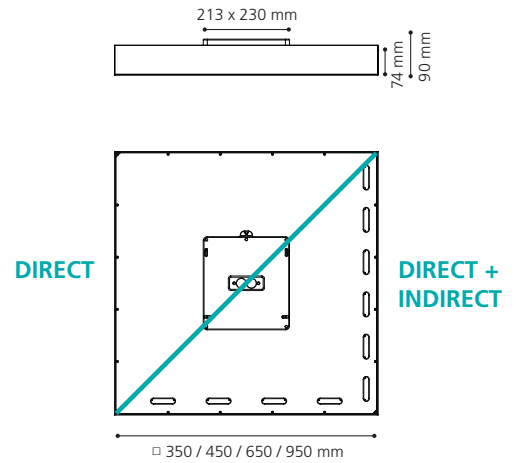
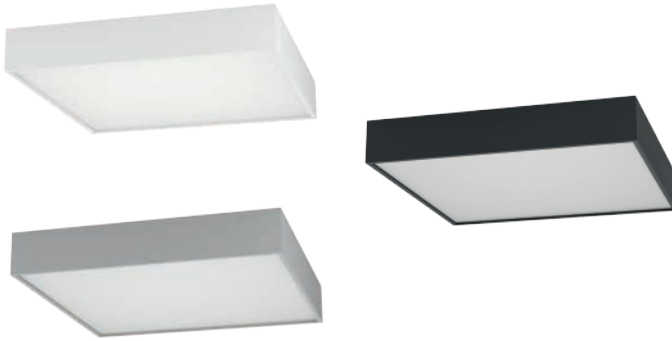
- 3 different housing colours
- 6 different decoration ring colours
- RAL colour of your choice on demand



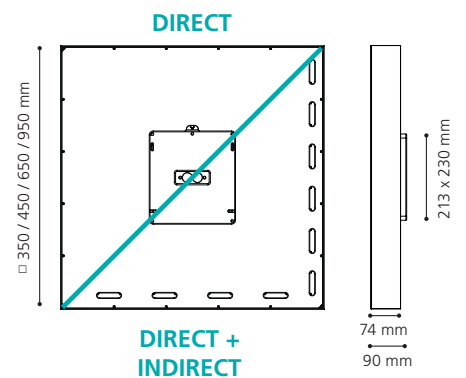
SQUARE90

ÜBERSICHT | OVERVIEW | VUE D'ENSEMBLE

ANBAULEUCHE | SURFACE MOUNTED LUMINAIRE | LUMINAIRE EN SAILLIE



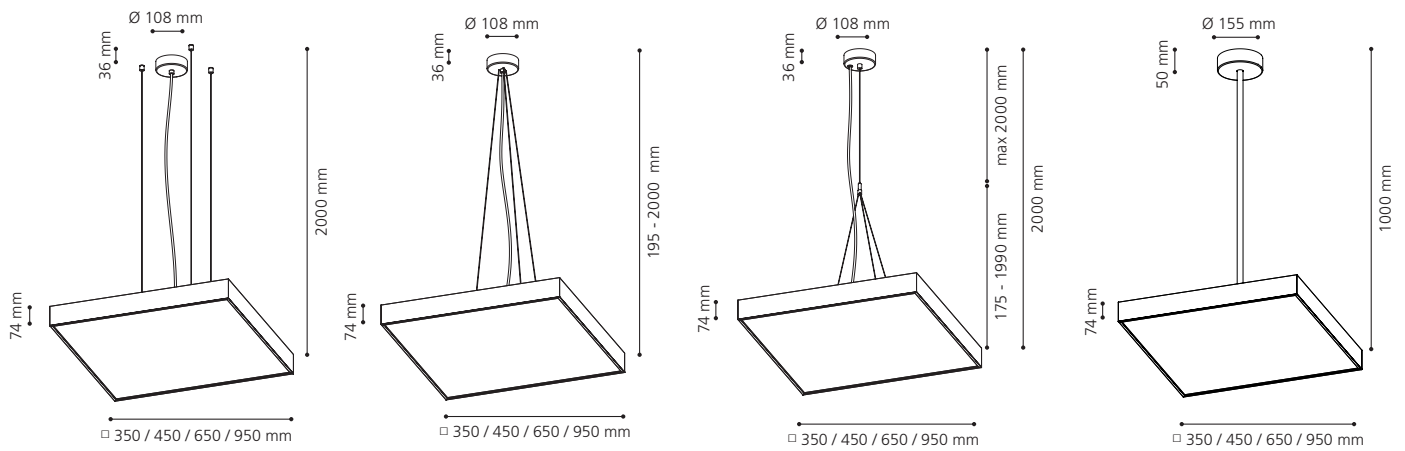
WANDLEUCHE | WALL LUMINAIRE | APPLIQUE MURALE



SQUARE90

ÜBERSICHT | OVERVIEW | VUE D'ENSEMBLE

HÄNGELEUCHE | PENDANT LUMINAIRE | SUSPENSION





design DOT SQOT

DOT OR SQOT?

The recessed spot is available either as a round or square shape.

DIFFERENT SIZES

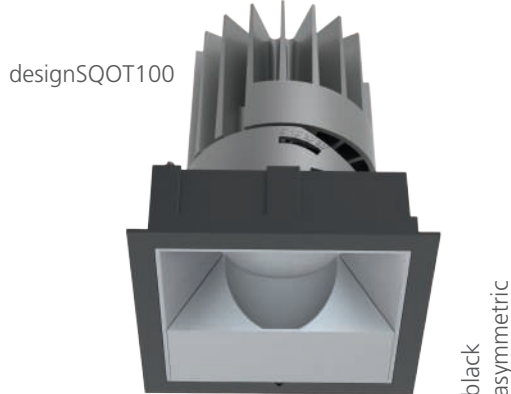
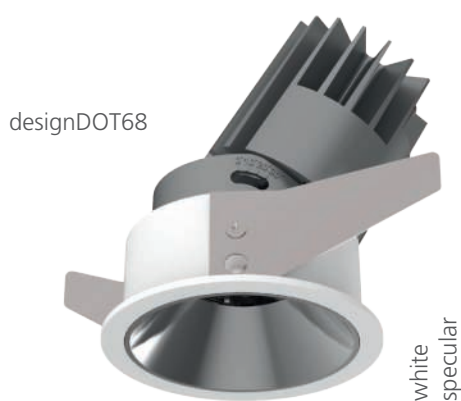
For each shape there are 2 different sizes – 68 or 100 mm.

COLOUR VARIANTS

2 housing colours and 4 different reflector colours and finishes are available.

NOT ONLY SYMMETRICAL

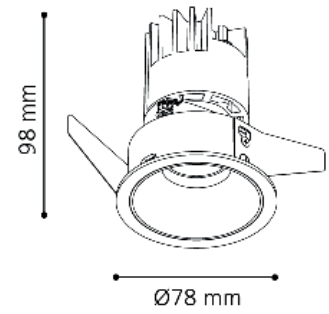
The 100 mm size is also available with an asymmetric beam angle – round and square.



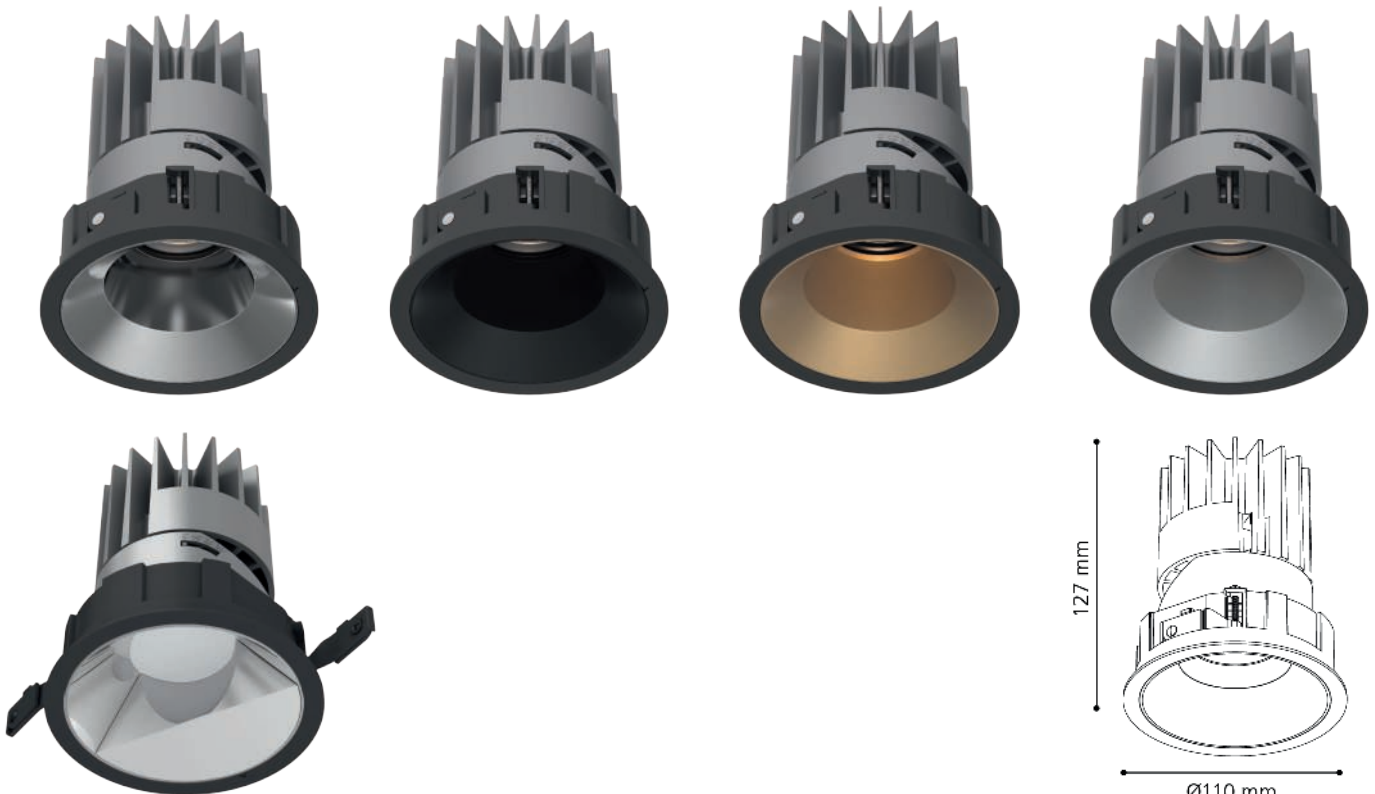
designDOT

ÜBERSICHT | OVERVIEW | VUE D'ENSEMBLE

designDOT68



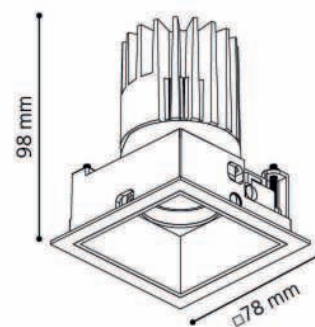
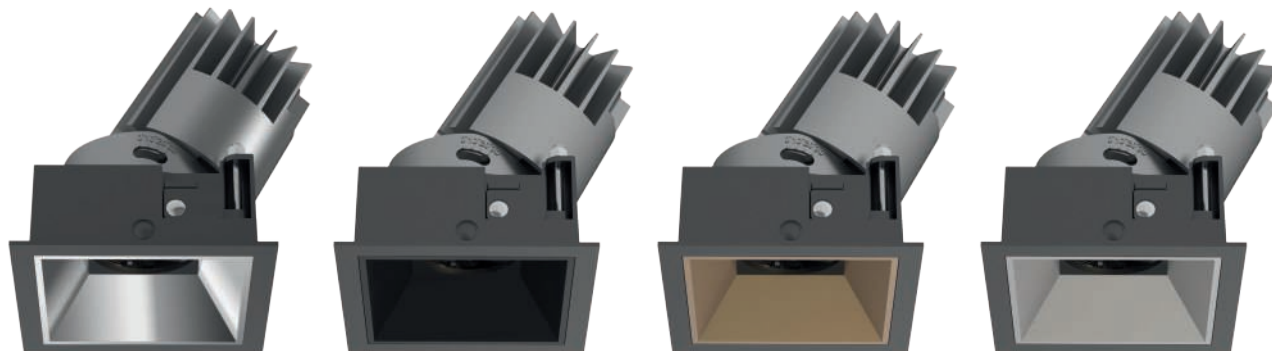
designDOT100



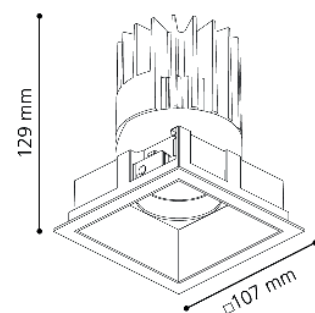
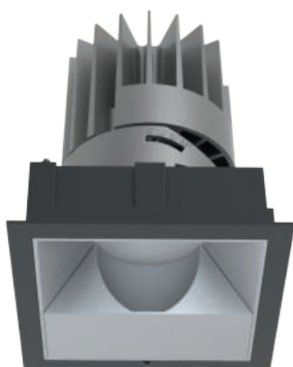
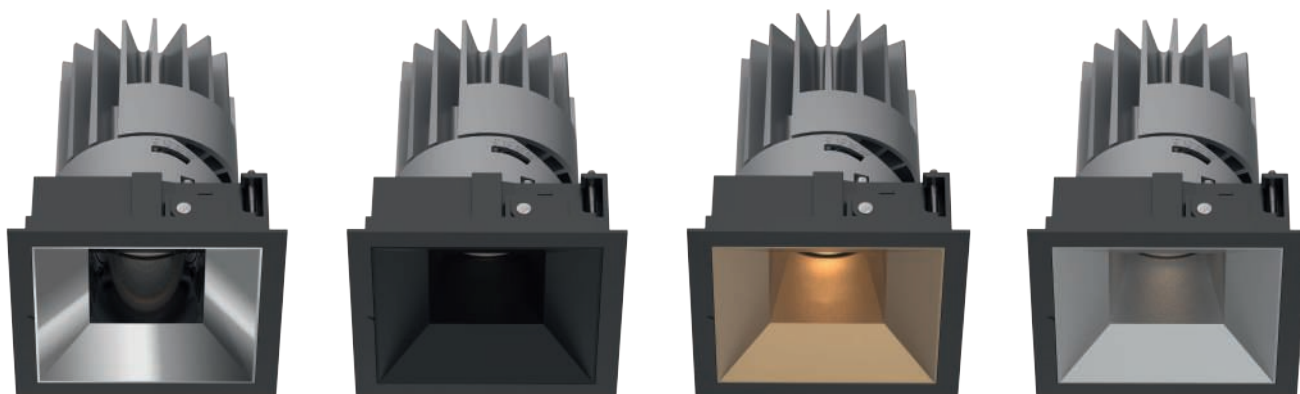
designSQOT

ÜBERSICHT | OVERVIEW | VUE D'ENSEMBLE

designSQOT68



designSQOT100





tech DOT SQOT

DOT OR SQOT?

The spot is available either as a round or square shape.

SURFACE VERSION

techDOT is also available as a surface spot with 151mm diameter.

COLOUR VARIANTS

2 housing colours and 2 different reflector colours are available.

DOT SIZES

The DOT recessed version is available in 3 different sizes – 75, 150 & 200 mm.

SQOT SIZES

The SQOT is available as recessed spot in 2 different sizes – 150 & 200 mm.

DYNAMIC WHITE 150 & 200 VERSION

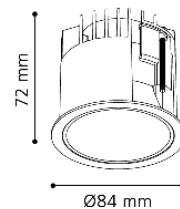
Besides the unicoloured colour temperatures, dynamic white (2700K–6500K) is also available.



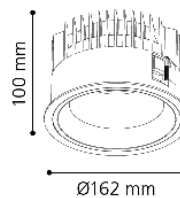
techDOT

ÜBERSICHT | OVERVIEW | VUE D'ENSEMBLE

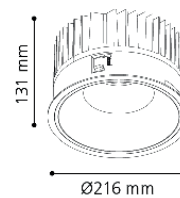
techDOT75



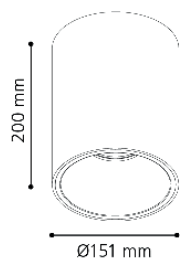
techDOT150



techDOT200



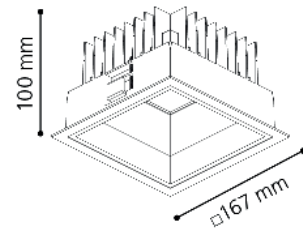
techDOT150surface



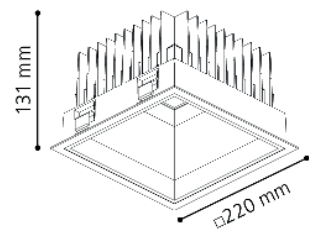
techSQOT

ÜBERSICHT | OVERVIEW | VUE D'ENSEMBLE

techSQOT150



techSQOT200





track **S** **M**

ALL INTEGRATED

The rotatable, swivelling 3-phase track spotlights have an inTrack adapter on/off or DALI.

NARROW OR WIDE

Different beam angles are available – 18°/36°/50° for trackS – 20°/55° for trackM.

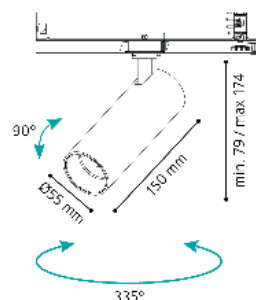
SMALL OR MEDIUM

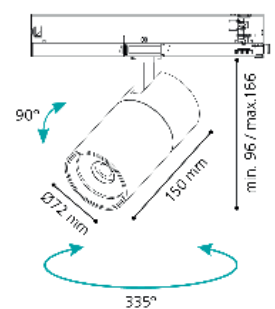
The 150 mm long spot head is either available with a diameter of 55 or 72 mm.

THE MATCHING LIGHT

trackM has special colour temperatures for different areas like fashion, bakery, meat, etc.























OVERVIEW

ANBAULEUCHTEN | SURFACE MOUNTED LUMINAIRES | LUMINAIRES EN SAILLIE



LINE40
82



LINE50
84



LINE50hex
86



LINE50quad
88



officeLINE50
90



LINE70
92



RING50
94



FLEX50
96



ROUND90
98



SQUARE90
100



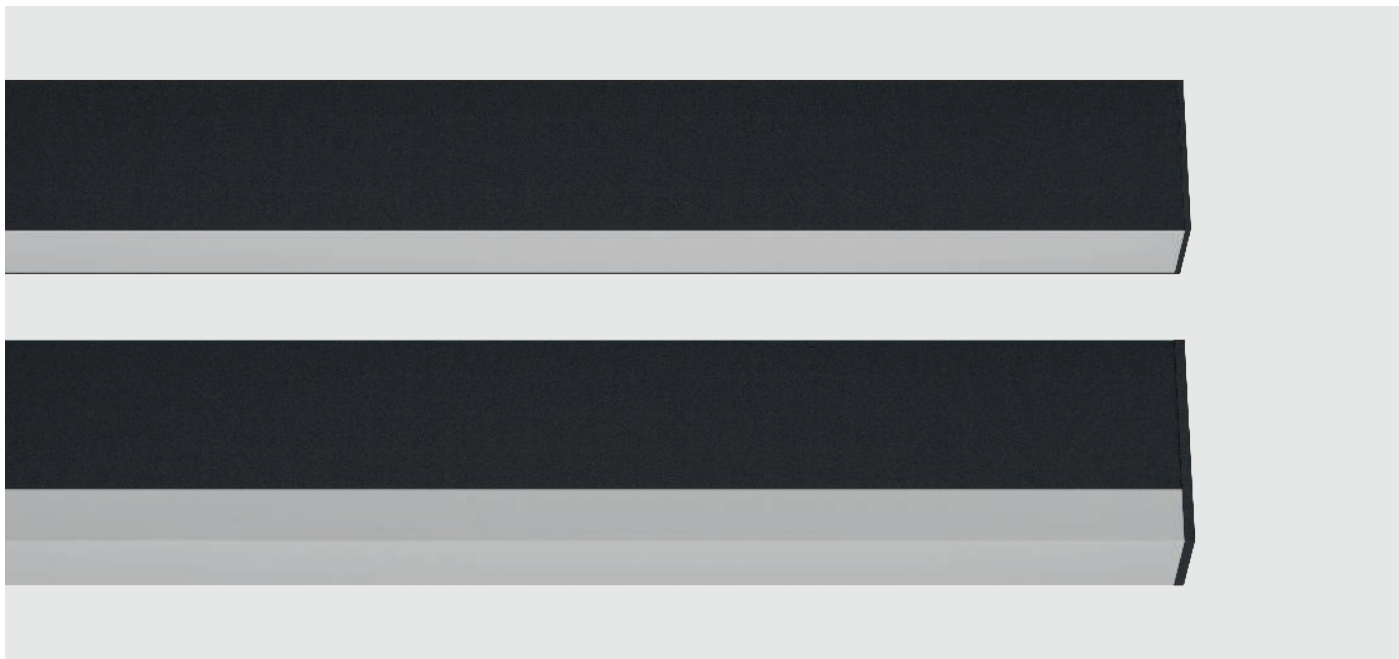
techDOT150surface
102

ANBAULEUCHTEN

SURFACE MOUNTED LUMINAIRES
LUMINAIRES EN SAILLIE

LINE40

ANBAULEUCHTE | SURFACE MOUNTED LUMINAIRE | LUMINAIRE EN SAILLIE



LED-Anbauleuchte direktstrahlend. Lichtkanal aus Aluminium-Strangpressprofil mit einer Breite von 41 mm. Fertigung der Leuchtenlänge millimetergenau auf Kundenwunsch möglich. Oberfläche der Leuchte feinstruktur matt pulverbeschichtet ähnlich RAL 9016 weiß, RAL 9006 silber oder RAL 9005 schwarz – auf Anfrage in RAL nach Wahl. Diffusor wahlweise in PMMA opal, PMMA opal U-Abdeckung oder PMMA klar mit eingeschobener mikroprismatischer Platte für eine reduzierte Leuchtdichte (UGR<19). Der LED-Treiber ist im Leuchtengehäuse integriert – wahlweise als on/off oder DALI-Variante. Farbtemperaturen 2700K, 3000K, 4000K – Farbwiedergabe CRI>80 oder CRI>90 – Mac Adam ≤3. Weitere Steuerungsoptionen oder Lichtfarben auf Anfrage erhältlich. Außerdem ist die Integration vieler Komponenten, wie beispielsweise Notlicht oder Sensortechnologie, sowie eine Vielzahl weiterer Optionen möglich.

Surface-mounted LED luminaire with direct beam. Light channel made of extruded aluminium profile with a width of 41 mm. Luminaire length can be manufactured to the exact millimetre on customer request. Surface of the luminaire fine structure matt powder coated similar to RAL 9016 white, RAL 9006 silver or RAL 9005 black - on request in RAL of choice. Diffuser either in PMMA opal, PMMA opal U-cover or PMMA clear with inserted microprismatic plate for reduced luminance (UGR<19). The LED driver is integrated in the luminaire housing - either as on/off or DALI version. Colour temperatures 2700K, 3000K, 4000K - colour rendering CRI>80 or CRI>90 - Mac Adam ≤3. Further control options or light colours available on request. In addition, the integration of many components, such as emergency lighting or sensor technology, as well as a variety of other options is possible.

Luminaire de surface LED en saillie à éclairage direct. Canal lumineux en profilé d'aluminium extrudé d'une largeur de 41 mm. Possibilité de fabriquer la longueur du luminaire au millimètre près sur demande du client. Surface du luminaire à structure fine matte revêtue de poudre similaire à RAL 9016 blanc, RAL 9006 argent ou RAL 9005 noir - sur demande en RAL au choix. Diffuseur au choix en PMMA opale, PMMA opale cache U ou PMMA transparent avec plaque microprismatique insérée pour un éblouissement réduit (UGR<19). Le pilote LED est intégré dans le boîtier du luminaire - au choix sous forme de variante on/off ou DALI. Températures de couleur 2700K, 3000K, 4000K - Rendu des couleurs CRI>80 ou CRI>90 - Mac Adam ≤3. Autres options de commande ou couleurs de lumière disponibles sur demande. En outre, l'intégration de nombreux composants, tels que l'éclairage de secours ou des capteurs, une multitude d'autres options sont possibles.

ÜBERSICHT | OVERVIEW | VUE D'ENSEMBLE

TECHNICAL DATA

2700K / 3000K / 4000K

CRI>80 / CRI>90

MacAdam ≤ 3

up to 116 lm/W, up to 2.731 lm/m

on-off / DALI

direct

opal / opal-U / microprism (UGR <19)

LIFETIME

L80B10 50.000h

OPTIONS

emergency lighting

motion and day-light sensor

many more on demand

HOUSING COLOUR

schwarz | black | noir
RAL 9005



silber | silver | argent
RAL 9006



weiß | white | blanc
RAL 9016



RAL-Farbe nach Wahl auf Anfrage

RAL colour of your choice on demand

Couleur RAL de votre choix sur demande



ANBAULEUCHTE „LINE40“

SURFACE MOUNTED LUMINAIRE "LINE40"
LUMINAIRE EN SAILLIE « LINE40 »

Bestellbeispiel | Example order | Exemple de commande

3.372 mm, CRI>90, 4000K, **direct**, low output on/off, black, microprism

LI40A - 339401 - LOBLM

1 2 3 4 5 6

| 1 LÄNGE LENGTH LONGEUR | |
|------------------------------|----|
| 571 mm | 05 |
| 851 mm | 08 |
| 1.131 mm | 11 |
| 1.271 mm | 12 |
| 1.411 mm | 14 |
| 1.691 mm | 16 |
| 2.251 mm | 22 |
| 2.531 mm | 25 |
| 2.812 mm | 28 |
| 3.372 mm | 33 |
| 3.792 mm | 37 |

| 2 FARBWIEDERGABE COLOUR RENDERING RENDU DES COULEURS | |
|--|---|
| CRI>80 | 8 |
| CRI>90 | 9 |

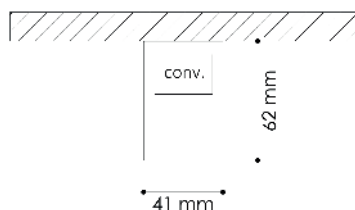
| 3 FARBTEMPERATUR COLOUR TEMPERATURE TEMPÉRATURE DE COULEUR | |
|--|----|
| 2700K (CRI>90 only) | 27 |
| 3000K | 30 |
| 4000K | 40 |

| 4 LEISTUNG & STEUERUNG OUTPUT & CONTROL SORTIE & CONTRÔLE | |
|---|----|
| low output on/off | LO |
| low output DALI | LD |
| high output on/off | HO |
| high output DALI | HD |

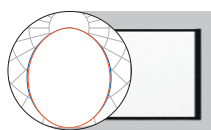
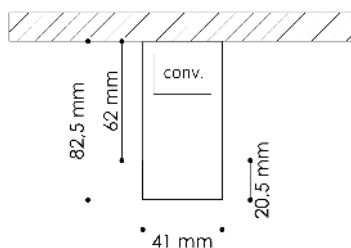
| 5 GEHÄUSEFARBE HOUSING COLOUR COULEUR DU BOÎTIER | |
|--|----|
| silver RAL9006 | SI |
| white RAL9016 | WH |
| black RAL9005 | BL |

| 6 DIFFUSOR DIFFUSER DIFFUSEUR | |
|-------------------------------------|---|
| opal | O |
| microprism | M |
| U-cover | U |

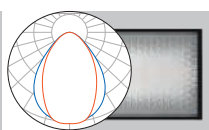
direct



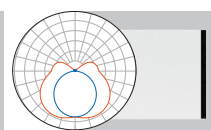
direct U-cover



opal direct



microprism direct



U-cover direct

| Size [mm] | low output [lm] / [W] | | high output [lm] / [W] | | low output [lm] / [W] | | high output [lm] / [W] | | Kg |
|-----------|-----------------------|------------------------|------------------------|------------------------|-----------------------|------------------------|------------------------|--|----|
| | low output [lm] / [W] | high output [lm] / [W] | low output [lm] / [W] | high output [lm] / [W] | low output [lm] / [W] | high output [lm] / [W] | | | |
| 571 | 852 / 8 | 1.439 / 17 | 757 / 8 | 1.503 / 17 | 785 / 8 | 1.492 / 17 | 1,5 | | |
| 851 | 1.136 / 12 | 2.158 / 23 | 1.135 / 12 | 2.254 / 23 | 1.177 / 12 | 2.238 / 23 | 2,0 | | |
| 1.131 | 1.514 / 15 | 2.879 / 29 | 1.514 / 15 | 3.005 / 29 | 1.570 / 15 | 2.984 / 29 | 2,6 | | |
| 1.271 | 1.704 / 17 | 3.238 / 33 | 1.703 / 17 | 3.381 / 33 | 1.767 / 17 | 3.357 / 33 | 2,8 | | |
| 1.411 | 1.893 / 18 | 3.599 / 35 | 1.892 / 18 | 3.757 / 35 | 1.962 / 18 | 3.730 / 35 | 3,5 | | |
| 1.691 | 2.272 / 20 | 4.318 / 40 | 2.271 / 20 | 4.508 / 40 | 2.355 / 20 | 4.476 / 40 | 4,0 | | |
| 2.251 | 3.028 / 27 | 5.756 / 53 | 3.028 / 27 | 6.010 / 53 | 3.140 / 27 | 5.968 / 53 | 5,0 | | |
| 2.531 | 3.408 / 30 | 6.475 / 60 | 3.406 / 30 | 6.762 / 60 | 3.534 / 30 | 6.714 / 60 | 5,2 | | |
| 2.812 | 3.786 / 35 | 7.198 / 70 | 3.784 / 35 | 7.514 / 70 | 3.924 / 35 | 7.460 / 70 | 6,0 | | |
| 3.372 | 4.544 / 41 | 8.636 / 81 | 4.542 / 41 | 9.016 / 81 | 4.710 / 41 | 8.952 / 81 | 7,6 | | |
| 3.792 | 5.112 / 46 | 9.715 / 91 | 5.110 / 46 | 10.143 / 91 | 5.299 / 46 | 10.071 / 91 | 9,1 | | |

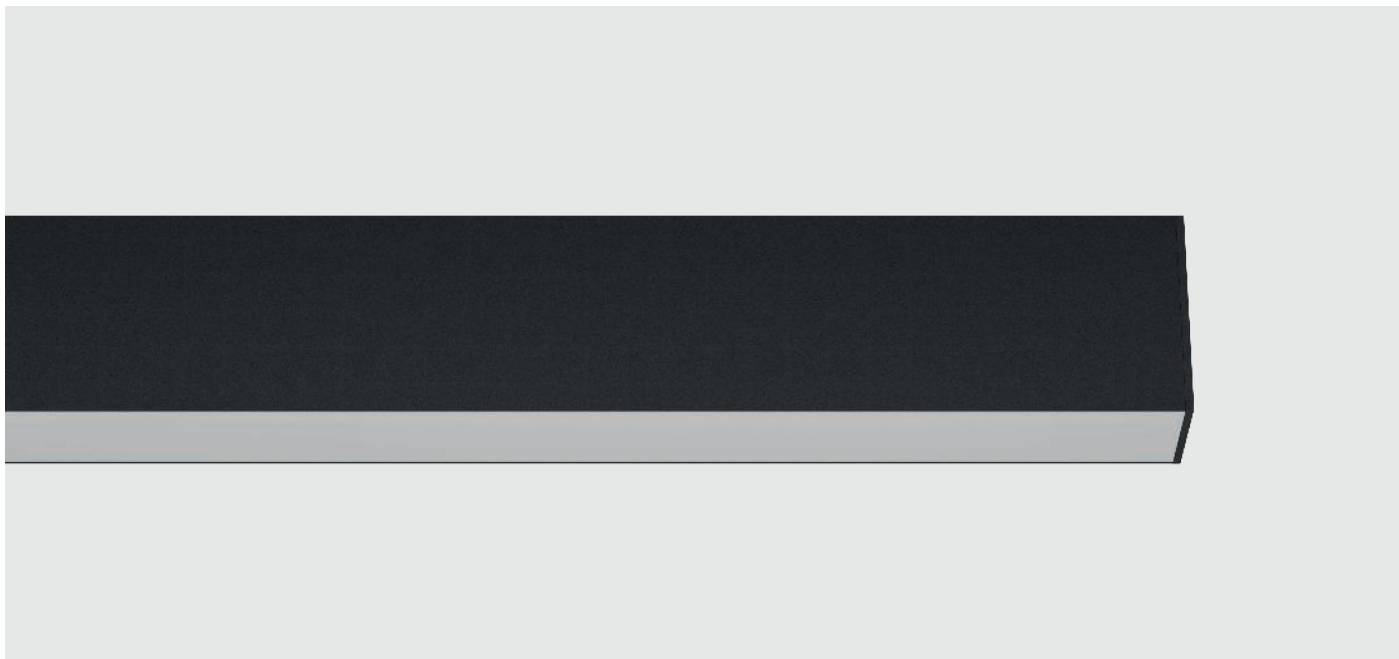
Alle Lumenangaben für 4000K, CRI>80, Microprisma ohne Opalfolie

All lumen values for 4000K, CRI>80, microprism without opal foil

Toutes les données de lumens pour 4000K, CRI>80, microprisme sans feuille opale

LINE50

ANBAULEUCHTE | SURFACE MOUNTED LUMINAIRE | LUMINAIRE EN SAILLIE



LED-Anbauleuchte direktstrahlend. Lichtkanal aus Aluminium-Strangpressprofil mit einer Breite von 50 mm. Fertigung der Leuchtenlänge millimetergenau auf Kundenwunsch möglich. Oberfläche der Leuchte feinstruktur matt pulverbeschichtet ähnlich RAL 9016 weiß, RAL 9006 silber oder RAL 9005 schwarz – auf Anfrage in RAL nach Wahl. Diffusor wahlweise in PMMA opal, PMMA klar mit eingeschobener asymmetrischer Folie oder PMMA klar mit eingeschobener mikroprismatischer Platte für eine reduzierte Leuchtdichte (UGR<19). Der LED-Treiber ist im Leuchtgehäuse integriert – wahlweise als on/off oder DALI-Variante. Farbtemperaturen 2700K, 3000K, 4000K oder dynamisch Weiß (2700K–6500K) – Farbwiedergabe CRI>80 oder CRI>90 – Mac Adam ≤3. Weitere Steuerungsoptionen oder Lichtfarben auf Anfrage erhältlich. Außerdem ist die Integration vieler Komponenten, wie beispielsweise Notlicht oder Sensortechnologie, sowie eine Vielzahl weiterer Optionen möglich.

Surface-mounted LED luminaire with direct beam. Light channel made of extruded aluminium profile with a width of 50 mm. Luminaire length can be manufactured to the exact millimetre on customer request. Surface of the luminaire fine structure matt powder coated similar to RAL 9016 white, RAL 9006 silver or RAL 9005 black - on request in RAL of choice. Diffuser either in PMMA opal, PMMA clear with inserted asymmetrical foil or PMMA clear with inserted microprismatic plate for reduced luminance (UGR<19). The LED driver is integrated in the luminaire housing - either as on/off or DALI version. Colour temperatures 2700K, 3000K, 4000K or dynamic white (2700K-6500K) - colour rendering CRI>80 or CRI>90 - Mac Adam ≤3. Further control options or light colours available on request. In addition, the integration of many components, such as emergency lighting or sensor technology, as well as a variety of other options is possible.

Luminaire de surface LED en saillie à éclairage direct. Canal lumineux en profilé d'aluminium extrudé d'une largeur de 50 mm. Fabrication de la longueur du luminaire au millimètre près possible sur demande du client. Surface du luminaire à structure fine, revêtement par poudre mat similaire à RAL 9016 blanc, RAL 9006 argent ou RAL 9005 noir - sur demande en RAL au choix. Diffuseur au choix en PMMA opale, PMMA transparent avec feuille asymétrique insérée ou PMMA transparent avec plaque microprismatique insérée pour un éblouissement réduit (UGR<19). Le pilote LED est intégré dans le boîtier du luminaire - au choix sous forme de variante on/off ou DALI. Températures de couleur 2700K, 3000K, 4000K ou blanc dynamique (2700K-6500K) - Rendu des couleurs CRI>80 ou CRI>90 - Mac Adam ≤3. Autres options de commande ou couleurs de lumière disponibles sur demande. En outre, l'intégration de nombreux composants, tels que l'éclairage de secours ou la technologie de détection, une multitude d'autres options sont possibles.

ÜBERSICHT | OVERVIEW | VUE D'ENSEMBLE

TECHNICAL DATA

2700K / 3000K / 4000K / 2700-6500K

CRI>80 / CRI>90

MacAdam ≤ 3

up to 122 lm/W, up to 2.766 lm/m

on-off / DALI

direct

opal / microprism (UGR <19) / asymmetric

LIFETIME

L80B10 50.000h

OPTIONS

emergency lighting

motion and day-light sensor

many more on demand

HOUSING COLOUR

schwarz | black | noir
RAL 9005



silber | silver | argent
RAL 9006



weiß | white | blanc
RAL 9016



RAL-Farbe nach Wahl auf Anfrage

RAL colour of your choice on demand

Couleur RAL de votre choix sur demande



>80

>90

IP20

DALI

≤3

>50.000 h

ANBAULEUCHTE „LINE50“
 SURFACE MOUNTED LUMINAIRE “LINE50”
 LUMINAIRE EN SAILLIE « LINE50 »

Bestellbeispiel | Example order | Exemple de commande
 3.134 mm, CRI>90, 4000K, **direct**, low output on/off, black, microprism

LI50A - 319401 - LOBLM

1 2 3 4 5 6

| 1 LÄNGE LENGTH LONGEUR | |
|------------------------------|----|
| 612 mm | 06 |
| 972 mm | 09 |
| 1.212 mm | 12 |
| 1.452 mm | 14 |
| 1.692 mm | 16 |
| 1.932 mm | 19 |
| 2.172 mm | 21 |
| 2.412 mm | 24 |
| 2.892 mm | 28 |
| 3.132 mm | 31 |
| 3.854 mm | 38 |

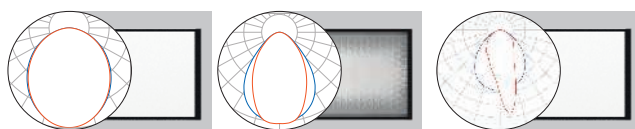
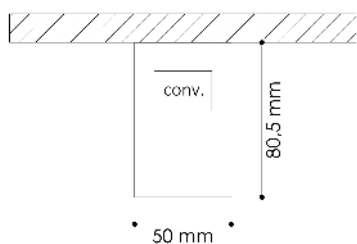
| 2 FARBWIEDERGABE COLOUR RENDERING RENDU DES COULEURS | |
|--|---|
| CRI>80 | 8 |
| CRI>90 | 9 |

| 3 FARBTEMPERATUR COLOUR TEMPERATURE TEMPÉRATURE DE COULEUR | |
|--|----|
| 2700K (CRI>90 only) | 27 |
| 3000K | 30 |
| 4000K | 40 |
| 2700-6500K (CRI>90 only) | DW |

| 4 LEISTUNG & STEUERUNG OUTPUT & CONTROL SORTIE & CONTRÔLE | |
|---|----|
| low output on/off | LO |
| low output DALI | LD |
| high output on/off | HO |
| high output DALI | HD |
| dynamic white DALI DT8 | DW |

| 5 GEHÄUSEFARBE HOUSING COLOUR COULEUR DU BOÎTIER | |
|--|----|
| silver RAL9006 | SI |
| white RAL9016 | WH |
| black RAL9005 | BL |

| 6 DIFFUSOR DIFFUSER DIFFUSEUR | |
|-------------------------------------|---|
| opal | O |
| microprism | M |
| asymmetric | A |



| Size [mm] | opal direct | | microprism direct | | asymmetric direct | | KG |
|-----------|-----------------------|------------------------|-----------------------|------------------------|------------------------|-------------------------|-----|
| | low output [lm] / [W] | high output [lm] / [W] | low output [lm] / [W] | high output [lm] / [W] | low output [lm] / [W]* | high output [lm] / [W]* | |
| 612 | 866 / 8,8 | 1.649 / 16,3 | 826 / 8,8 | 1.581 / 16,3 | 867 / 8,8 | 1.660 / 16,3 | 1,5 |
| 972 | 1386 / 13 | 2.638 / 25 | 1.321 / 13 | 2.530 / 25 | 1.387 / 13 | 2.656 / 25 | 2,3 |
| 1.212 | 1.731 / 16,3 | 3.298 / 30 | 1.652 / 16,3 | 3.162 / 30 | 1.735 / 16,3 | 3.320 / 30 | 2,9 |
| 1.452 | 2.078 / 18,5 | 3.958 / 35,8 | 1.982 / 18,5 | 3.794 / 35,8 | 2.081 / 18,5 | 3.984 / 35,8 | 3,5 |
| 1.692 | 2.425 / 21,2 | 4.617 / 41,1 | 2.313 / 21,2 | 4.427 / 41,1 | 2.429 / 21,2 | 4.648 / 41,1 | 4,1 |
| 1.932 | 2.772 / 23,7 | 5.277 / 46,3 | 2.642 / 23,7 | 5.059 / 46,3 | 2.774 / 23,7 | 5.312 / 46,3 | 4,6 |
| 2.172 | 3.117 / 26,6 | 5.936 / 52 | 2.974 / 26,6 | 5.692 / 52 | 3.123 / 26,6 | 5.977 / 52 | 5,2 |
| 2.412 | 3.462 / 29,2 | 6.596 / 57,3 | 3.304 / 29,2 | 6.324 / 57,3 | 3.469 / 29,2 | 6.640 / 57,3 | 5,8 |
| 2.892 | 4.156 / 34,3 | 7.915 / 69,6 | 3.964 / 34,3 | 7.589 / 69,6 | 4.162 / 34,3 | 7.968 / 69,6 | 7,0 |
| 3.132 | 4.503 / 36,9 | 8.575 / 75,5 | 4.295 / 36,9 | 8.221 / 75,5 | 4.510 / 36,9 | 8.632 / 75,5 | 7,5 |
| 3.854 | 5.544 / 47,4 | 10.554 / 92,6 | 5.284 / 47,4 | 10.118 / 92,6 | 5.548 / 47,4 | 10.624 / 92,6 | 9,3 |

Alle Lumenangaben für 4000K, CRI>80, Microprisma ohne Opalfolie

All lumen values for 4000K, CRI>80, microprism without opal foil

Toutes les données de lumens pour 4000K, CRI>80, microprisme sans feuille opale

LINE50hex

ANBAULEUCHTE | SURFACE MOUNTED LUMINAIRE | LUMINAIRE EN SAILLIE



LED-Anbauleuchte direktstrahlend. Lichtkanal aus Aluminium-Strangpressprofil mit einer Breite von 50 mm. Leuchte in hexagonaler Form mit verschweißten Ecken – Lieferung der drei Standardgrößen komplett in einem Stück (DM 1306 mm), in zwei Teilen (DM 2028 mm) bzw. sechs gleich großen Teilen (DM 2988 mm). Oberfläche der Leuchte feinstruktur matt pulverbeschichtet ähnlich RAL 9016 weiß, RAL 9006 silber oder RAL 9005 schwarz – auf Anfrage in RAL nach Wahl. Diffusor wahlweise in PMMA opal oder PMMA klar mit eingeschobener mikroprismatischer Platte für eine reduzierte Leuchtdichte (UGR<19). Der LED-Treiber ist im Leuchtgehäuse integriert – wahlweise als on/off oder DALI-Variante. Farbtemperaturen 2700K, 3000K, 4000K oder dynamisch Weiß (2700K–6500K) – Farbwiedergabe CRI>80 oder CRI>90 – Mac Adam ≤3. Weitere Steuerungsoptionen oder Lichtfarben auf Anfrage erhältlich. Außerdem ist die Integration vieler Komponenten, wie beispielsweise Notlicht oder Sensortechnologie, sowie eine Vielzahl weiterer Optionen möglich.

Surface-mounted LED luminaire with direct beam. Light channel made of extruded aluminium profile with a width of 50 mm. Luminaire in hexagonal shape with welded corners - delivery of the three standard sizes in one piece (DM 1306 mm), in two pieces (DM 2028 mm) or in six equally sized pieces (DM 2988 mm). Surface of the luminaire fine structure matt powder coated similar to RAL 9016 white, RAL 9006 silver or RAL 9005 black - on request in RAL of choice. Diffuser either in PMMA opal or PMMA clear with inserted microprismatic plate for reduced luminance (UGR<19). The LED driver is integrated in the luminaire housing - either as on/off or DALI version. Colour temperatures 2700K, 3000K, 4000K or dynamic white (2700K-6500K) - colour rendering CRI>80 or CRI>90 - Mac Adam ≤3. Further control options or light colours available on request. In addition, the integration of many components, such as emergency lighting or sensor technology, as well as a variety of other options is possible.

Luminaire de surface LED en saillie à éclairage direct. Canal lumineux en profilé d'aluminium extrudé d'une largeur de 50 mm. Luminaire de forme hexagonale avec coins soudés - livraison des trois tailles standard complètes en une pièce (DM 1306 mm), en deux pièces (DM 2028 mm) ou en six pièces de taille identique (DM 2988 mm). Surface du luminaire à structure fine matte revêtue par poudre similaire à RAL 9016 blanc, RAL 9006 argent ou RAL 9005 noir - sur demande en RAL au choix. Diffuseur au choix en PMMA opale ou en PMMA transparent avec plaque microprismatique insérée pour un éblouissement réduit (UGR<19). Le pilote LED est intégré dans le boîtier du luminaire - au choix sous forme de variante on/off ou DALI. Températures de couleur 2700K, 3000K, 4000K ou blanc dynamique (2700K-6500K) - Rendu des couleurs CRI>80 ou CRI>90 - Mac Adam ≤3. Autres options de commande ou couleurs de lumière disponibles sur demande. En outre, l'intégration de nombreux composants, tels que l'éclairage de secours ou la technologie des capteurs, une multitude d'autres options sont possibles.

ÜBERSICHT | OVERVIEW | VUE D'ENSEMBLE

TECHNICAL DATA

2700K / 3000K / 4000K / 2700-6500K

CRI>80 / CRI>90

MacAdam ≤ 3

up to 122 lm/W, up to 2.766 lm/m

on-off / DALI

direct

opal / microprism (UGR <19)

LIFETIME

L80B10 50.000h

OPTIONS

emergency lighting

motion and day-light sensor

many more on demand



HOUSING COLOUR

schwarz | black | noir
RAL 9005



silber | silver | argent
RAL 9006



weiß | white | blanc
RAL 9016



RAL-Farbe nach Wahl auf Anfrage
RAL colour of your choice on demand
Couleur RAL de votre choix sur demande



ANBAULEUCHTE „LINE50hex“
 SURFACE MOUNTED LUMINAIRE “LINE50hex”
 LUMINAIRE EN SAILLIE « LINE50hex »

Bestellbeispiel | Example order | Exemple de commande
 2.988 mm, CRI>90, 4000K, **direct**, low output on/off, black, microprism

LH50A - 299401 - LOBLM

1 2 3 4 5 6

| 1 GRÖSSE SIZE TAILLE | |
|----------------------------|----|
| 1.306 mm | 13 |
| 2.028 mm | 20 |
| 2.988 mm | 29 |

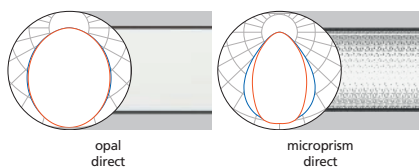
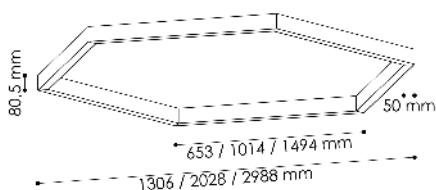
| 2 FARBWIEDERGABE COLOUR RENDERING RENDU DES COULEURS | |
|--|---|
| CRI>80 | 8 |
| CRI>90 | 9 |

| 3 FARBTEMPERATUR COLOUR TEMPERATURE TEMPÉRATURE DE COULEUR | |
|--|----|
| 2700K (CRI>90 only) | 27 |
| 3000K | 30 |
| 4000K | 40 |
| 2700-6500K (CRI>90 only) | DW |

| 4 LEISTUNG & STEUERUNG OUTPUT & CONTROL SORTIE & CONTRÔLE | |
|---|----|
| low output on/off | LO |
| low output DALI | LD |
| high output on/off | HO |
| high output DALI | HD |
| dynamic white DALI DT8 | DW |

| 5 GEHÄUSEFARBE HOUSING COLOUR COULEUR DU BOÎTIER | |
|--|----|
| silver RAL9006 | SI |
| white RAL9016 | WH |
| black RAL9005 | BL |

| 6 DIFFUSOR DIFFUSER DIFFUSEUR | |
|-------------------------------------|---|
| opal | O |
| microprism | M |



| Size [mm] | opal direct | | microprism direct | | kg |
|-----------|-----------------------|------------------------|-----------------------|------------------------|------|
| | low output [lm] / [W] | high output [lm] / [W] | low output [lm] / [W] | high output [lm] / [W] | |
| 1.306 | 5.196 / 44,9 | 9.894 / 87,7 | 4.956 / 44,9 | 9.486 / 87,7 | 9,0 |
| 2.028 | 8.316 / 67 | 15.828 / 134,8 | 7.926 / 67 | 15.180 / 134,8 | 13,8 |
| 2.988 | 12.468 / 99,8 | 23.748 / 206 | 11.892 / 99,8 | 22.764 / 206 | 21,0 |

Alle Lumenangaben für 4000K, CRI>80, Microprisma ohne Opalfolie
 All lumen values for 4000K, CRI>80, microprism without opal foil
 Toutes les données de lumens pour 4000K, CRI>80, microprisme sans feuille opale

LINE50quad

ANBAULEUCHE | SURFACE MOUNTED LUMINAIRE | LUMINAIRE EN SAILLIE



LED-Anbauleuchte direktstrahlend. Lichtkanal aus Aluminium-Strangpressprofil mit einer Breite von 50 mm. Leuchte in quadratischer Form mit verschweißten Ecken – Lieferung der drei Standardgrößen komplett in einem Stück (660, 1020 mm) bzw. in zwei Teilen (1500 mm). Oberfläche der Leuchte feinstruktur matt pulverbeschichtet ähnlich RAL 9016 weiß, RAL 9006 silber oder RAL 9005 schwarz – auf Anfrage in RAL nach Wahl. Diffusor wahlweise in PMMA opal oder PMMA klar mit eingeschobener mikroprismatischer Platte für eine reduzierte Leuchtdichte (UGR<19). Der LED-Treiber ist im Leuchtgehäuse integriert – wahlweise als on/off oder DALI-Variante. Farbtemperaturen 2700K, 3000K, 4000K oder dynamisch Weiß (2700K–6500K) – Farbwiedergabe CRI>80 oder CRI>90 – Mac Adam ≤3. Weitere Steuerungsoptionen oder Lichtfarben auf Anfrage erhältlich. Außerdem ist die Integration vieler Komponenten, wie beispielsweise Notlicht oder Sensortechnologie, sowie eine Vielzahl weiterer Optionen möglich.

Surface-mounted LED luminaire with direct beam. Light channel made of extruded aluminium profile with a width of 50 mm. Luminaire in square shape with welded corners - delivery of the three standard sizes in one piece (660, 1020 mm) or in two pieces (1500 mm). Surface of the luminaire fine structure matt powder coated similar to RAL 9016 white, RAL 9006 silver or RAL 9005 black - on request in RAL of choice. Diffuser either in PMMA opal or PMMA clear with inserted microprismatic plate for reduced luminance (UGR<19). The LED driver is integrated in the luminaire housing - either as on/off or DALI version. Colour temperatures 2700K, 3000K, 4000K or dynamic white (2700K-6500K) - colour rendering CRI>80 or CRI>90 - Mac Adam ≤3. Further control options or light colours available on request. In addition, the integration of many components, such as emergency lighting or sensor technology, as well as a variety of other options is possible.

Luminaire de surface LED en saillie à éclairage direct. Canal lumineux en profilé d'aluminium extrudé d'une largeur de 50 mm. Luminaire de forme carrée avec coins soudés - livraison des trois tailles standard complètes en une pièce (660, 1020 mm) ou en deux pièces (1500 mm). Surface du luminaire à structure fine matte revêtue par poudre similaire à RAL 9016 blanc, RAL 9006 argent ou RAL 9005 noir - sur demande en RAL au choix. Diffuseur au choix en PMMA opale ou en PMMA transparent avec plaque microprismatique insérée pour un éblouissement réduit (UGR<19). Le pilote LED est intégré dans le boîtier du luminaire - au choix sous forme de variante on/off ou DALI. Températures de couleur 2700K, 3000K, 4000K ou blanc dynamique (2700K-6500K) - Rendu des couleurs CRI>80 ou CRI>90 - Mac Adam ≤3. Autres options de commande ou couleurs de lumière disponibles sur demande. En outre, l'intégration de nombreux composants, tels que l'éclairage de secours ou la technologie des capteurs, une multitude d'autres options sont possibles.

ÜBERSICHT | OVERVIEW | VUE D'ENSEMBLE

TECHNICAL DATA

2700K / 3000K / 4000K / 2700-6500K

CRI>80 / CRI>90

MacAdam ≤ 3

up to 122 lm/W, up to 2.766 lm/m

on-off / DALI

direct

opal / microprism (UGR <19)

LIFETIME

L80B10 50.000h

OPTIONS

emergency lighting

motion and day-light sensor

many more on demand

HOUSING COLOUR

schwarz | black | noir
RAL 9005



silber | silver | argent
RAL 9006



weiß | white | blanc
RAL 9016



RAL-Farbe nach Wahl auf Anfrage

RAL colour of your choice on demand

Couleur RAL de votre choix sur demande



ANBAULEUCHTE „LINE50quad“
 SURFACE MOUNTED LUMINAIRE “LINE50quad”
 LUMINAIRE EN SAILLIE « LINE50quad »

Bestellbeispiel | Example order | Exemple de commande
 660 x 660 mm, CRI>90, 4000K, **direct**, low output on/off, black, microprism

LQ50A - 069401 - LOBLM

1 2 3 4 5 6

1 GRÖSSE
 SIZE
 TAILLE

| | |
|------------------|-----------|
| 660 x 660 mm | 06 |
| 1.020 x 1.020 mm | 10 |
| 1.500 x 1.500 mm | 15 |

2 FARBWIEDERGABE
 COLOUR RENDERING
 RENDU DES COULEURS

| | |
|--------|----------|
| CRI>80 | 8 |
| CRI>90 | 9 |

3 FARBTEMPERATUR
 COLOUR TEMPERATURE
 TEMPÉRATURE DE COULEUR

| | |
|--------------------------|-----------|
| 2700K (CRI>90 only) | 27 |
| 3000K | 30 |
| 4000K | 40 |
| 2700-6500K (CRI>90 only) | DW |

4 LEISTUNG & STEUERUNG
 OUTPUT & CONTROL
 SORTIE & CONTRÔLE

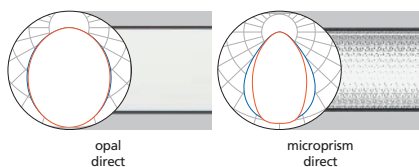
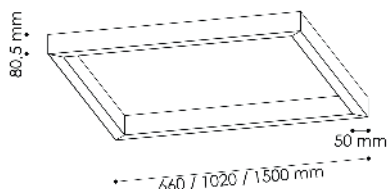
| | |
|------------------------|-----------|
| low output on/off | LO |
| low output DALI | LD |
| high output on/off | HO |
| high output DALI | HD |
| dynamic white DALI DT8 | DW |

5 GEHÄUSEFARBE
 HOUSING COLOUR
 COULEUR DU BOÎTIER

| | |
|----------------|-----------|
| silver RAL9006 | SI |
| white RAL9016 | WH |
| black RAL9005 | BL |

6 DIFFUSOR
 DIFFUSER
 DIFFUSEUR

| | |
|------------|----------|
| opal | O |
| microprism | M |

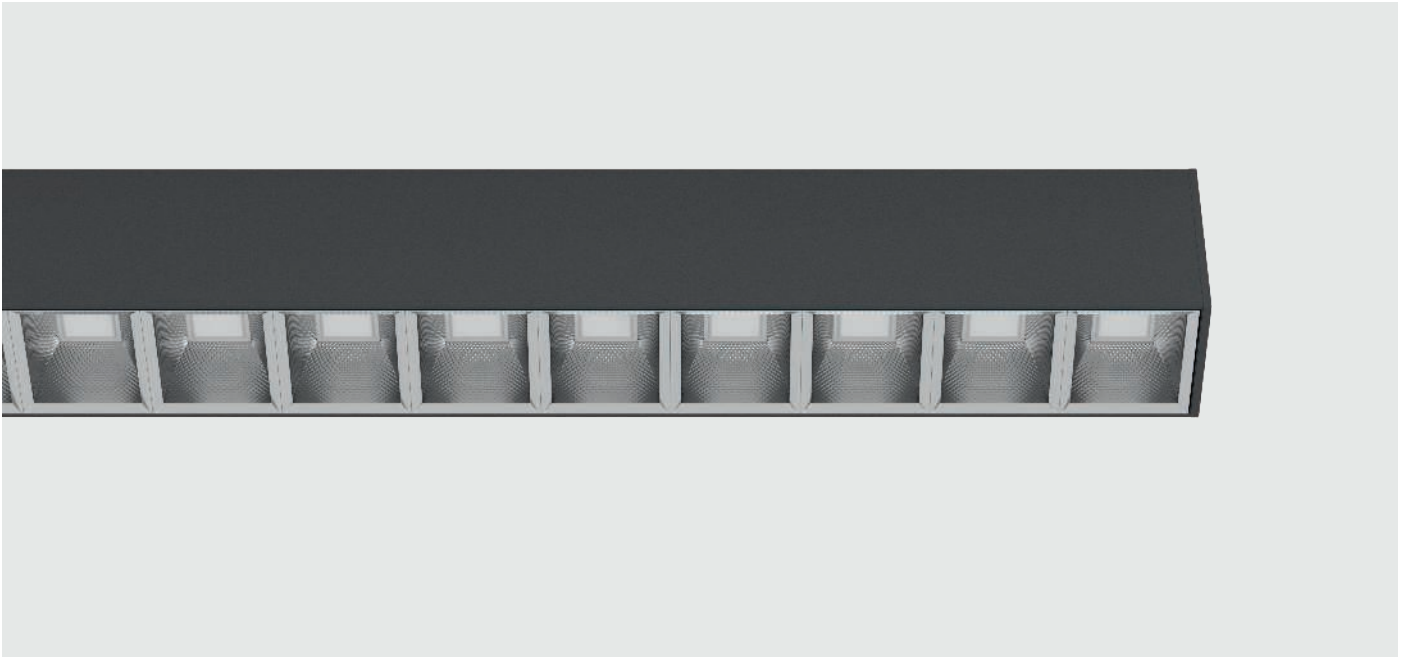


| Size [mm] | opal direct | | microprism direct | | KG |
|-----------|-----------------------|------------------------|-----------------------|------------------------|------|
| | low output [lm] / [W] | high output [lm] / [W] | low output [lm] / [W] | high output [lm] / [W] | |
| □ 660 | 3.464 / 29,1 | 6.596 / 57,2 | 3.304 / 29,1 | 6.324 / 57,2 | 6,0 |
| □ 1.020 | 5.544 / 44,6 | 10.552 / 91,7 | 5.284 / 44,6 | 10.120 / 91,7 | 9,2 |
| □ 1.500 | 8.312 / 67 | 15.832 / 134,8 | 7.928 / 67 | 15.176 / 134,8 | 14,0 |

Alle Lumenangaben für 4000K, CRI>80, Microprisma ohne Opalfolie
 All lumen values for 4000K, CRI>80, microprism without opal foil
 Toutes les données de lumens pour 4000K, CRI>80, microprisme sans feuille opale

officeLINE50

ANBAULEUCHTE | SURFACE MOUNTED LUMINAIRE | LUMINAIRE EN SAILLIE



LED-Anbauleuchte direktstrahlend. Lichtkanal aus Aluminium-Strangpressprofil mit einer Breite von 50 mm. Fertigung der Leuchtenlänge millimetergenau auf Kundenwunsch möglich. Oberfläche der Leuchte feinstruktur matt pulverbeschichtet ähnlich RAL 9016 weiß, RAL 9006 silber oder RAL 9005 schwarz – auf Anfrage in RAL nach Wahl. Die Leuchte ist ausgestattet mit einem hochwertigen, facettierten BAP-Raster mit einer Auswahl an sieben verschiedenen Farben – Oberfläche hochglänzend bzw. matt. Der LED-Treiber ist im Leuchtengehäuse integriert – wahlweise als on/off oder DALI-Variante. Farbtemperaturen 2700K, 3000K, 4000K oder dynamisch Weiß (2700K–6500K) – Farbwiedergabe CRI>80 oder CRI>90 – Mac Adam ≤3. Weitere Steuerungsoptionen oder Lichtfarben auf Anfrage erhältlich. Außerdem ist die Integration vieler Komponenten, wie beispielsweise Notlicht oder Sensortechnologie, sowie eine Vielzahl weiterer Optionen möglich.

Surface-mounted LED luminaire with direct beam. Light channel made of extruded aluminium profile with a width of 50 mm. Luminaire length can be manufactured to the exact millimetre on customer request. Surface of the luminaire fine structure matt powder coated similar to RAL 9016 white, RAL 9006 silver or RAL 9005 black - on request in RAL of choice. The luminaire is equipped with a high-quality, faceted BAP louvre with a choice of seven different colours - specular or matt finish. The LED driver is integrated in the luminaire housing - either as on/off or DALI version. Colour temperatures 2700K, 3000K, 4000K or dynamic white (2700K-6500K) - colour rendering CRI>80 or CRI>90 - Mac Adam ≤3. Further control options or light colours available on request. In addition, the integration of many components, such as emergency lighting or sensor technology, as well as a variety of other options is possible.

Luminaire de surface LED en saillie à éclairage direct. Canal lumineux en profilé d'aluminium extrudé d'une largeur de 50 mm. Possibilité de fabriquer la longueur du luminaire au millimètre près sur demande du client. Surface du luminaire à structure fine, revêtement par poudre mat similaire à RAL 9016 blanc, RAL 9006 argent ou RAL 9005 noir - sur demande en RAL au choix. Le luminaire est équipé d'une grille BAP à facettes de haute qualité avec un choix de sept couleurs différentes - surface brillante ou mate. Le pilote LED est intégré dans le boîtier du luminaire - au choix sous forme de variante on/off ou DALI. Températures de couleur 2700K, 3000K, 4000K ou blanc dynamique (2700K-6500K) - Rendu des couleurs CRI>80 ou CRI>90 - Mac Adam ≤3. Autres options de commande ou couleurs de lumière disponibles sur demande. En outre, l'intégration de nombreux composants, tels que l'éclairage de secours ou la technologie de détection, une multitude d'autres options sont possibles.

ÜBERSICHT | OVERVIEW | VUE D'ENSEMBLE

TECHNICAL DATA

2700K / 3000K / 4000K / 2700-6500K

CRI>80 / CRI>90

MacAdam ≤ 3

up to 147 lm/W, up to 4.422 lm/m

on-off / DALI

direct

BAP-Louvre (UGR <19)

LIFETIME

L80B10 50.000h

OPTIONS

emergency lighting

motion and day-light sensor

many more on demand



HOUSING COLOUR

schwarz | black | noir
RAL 9005



silber | silver | argent
RAL 9006



weiß | white | blanc
RAL 9016



RAL-Farbe nach Wahl auf Anfrage
RAL colour of your choice on demand
Couleur RAL de votre choix sur demande



BAP LOUVRE COLOUR

silber hochglanz | silver specular | argenté brillant



gold hochglanz | gold specular | doré brillant



silber matt | silver matt | argenté mat



bronze hochglanz | bronze specular | bronze brillant



schwarz hochglanz | black specular | noir brillant



titan hochglanz | titan specular | titan brillant



schwarz matt | black matt | noir mat



ANBAULEUCHTE „officeLINE50“
 SURFACE MOUNTED LUMINAIRE “officeLINE50”
 LUMINAIRE EN SAILLIE « officeLINE50 »

Bestellbeispiel | Example order | Exemple de commande
 3.370 mm, CRI>90, 4000K, **direct**, low output on/off, black, gold specular

OL50A - 339401 - LOBLG

1 2 3 4 5 6

| 1 LÄNGE LENGTH LONGEUR | | |
|------------------------------|--|----|
| 489 mm | | 04 |
| 969 mm | | 09 |
| 1.209 mm | | 12 |
| 1.449 mm | | 14 |
| 1.689 mm | | 16 |
| 2.169 mm | | 21 |
| 2.889 mm | | 28 |
| 3.370 mm | | 33 |

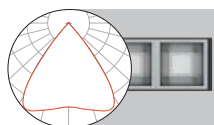
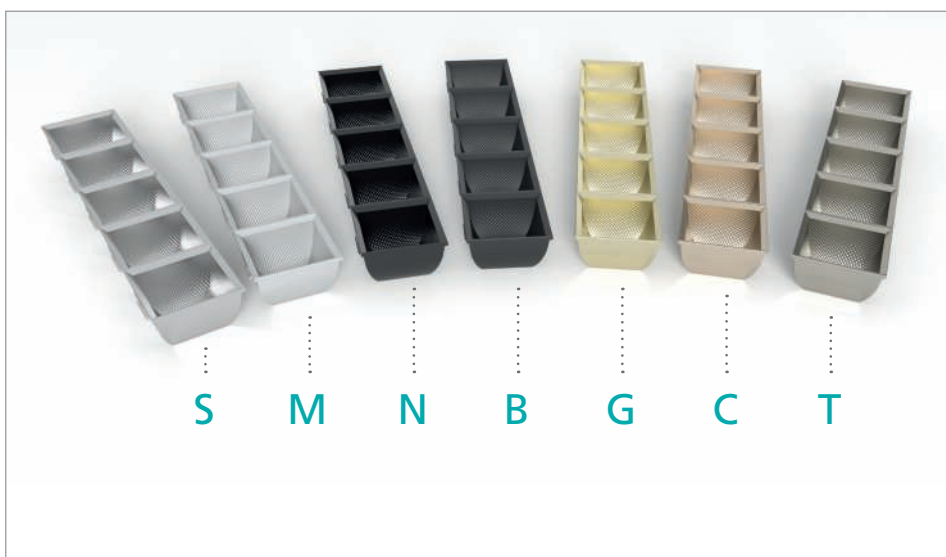
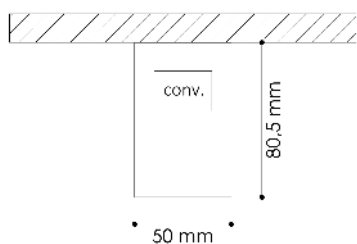
| 2 FARBWIEDERGABE COLOUR RENDERING RENDU DES COULEURS | | |
|--|--|---|
| CRI>80 | | 8 |
| CRI>90 | | 9 |

| 3 FARBTEMPERATUR COLOUR TEMPERATURE TEMPÉRATURE DE COULEUR | | |
|--|--|----|
| 2700K (CRI>90 only) | | 27 |
| 3000K | | 30 |
| 4000K | | 40 |
| 2700-6500K (CRI>90 only) | | DW |

| 4 LEISTUNG & STEUERUNG OUTPUT & CONTROL SORTIE & CONTRÔLE | | |
|---|--|----|
| low output on/off | | LO |
| low output DALI | | LD |
| high output on/off | | HO |
| high output DALI | | HD |
| dynamic white DALI DT8 | | DW |

| 5 GEHÄUSEFARBE HOUSING COLOUR COULEUR DU BOÎTIER | | |
|--|--|----|
| silver RAL9006 | | SI |
| white RAL9016 | | WH |
| black RAL9005 | | BL |

| 6 BAP-RASTER FARBE BAP LOUVRE COLOUR GRILLE BAP COULEUR | | |
|---|--|---|
| silver specular | | S |
| silver matt | | M |
| black specular | | N |
| black matt | | B |
| gold specular | | G |
| bronze specular | | C |
| titan specular | | T |

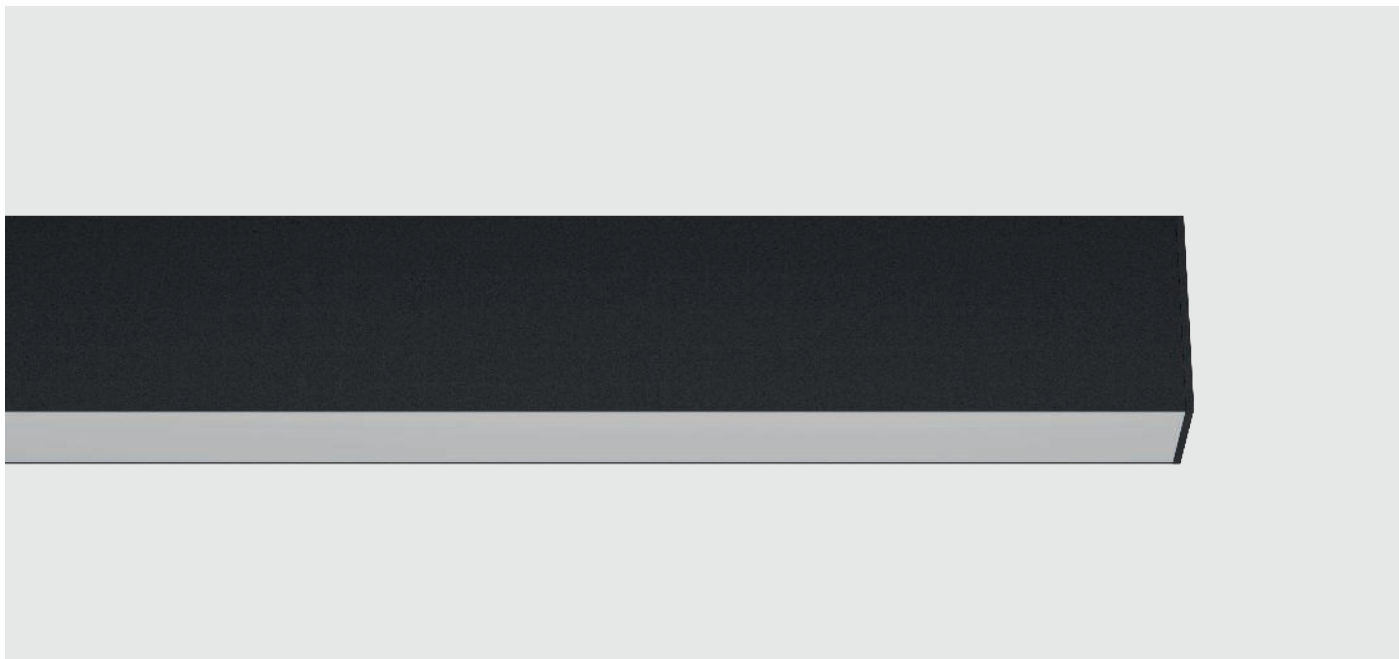


| Size [mm] | direct | | |
|-----------|-----------------------|------------------------|-----|
| | low output [lm] / [W] | high output [lm] / [W] | |
| 489 | 1.106 / 8,8 | 2.064 / 16,7 | 1,4 |
| 969 | 2.212 / 17,1 | 4.128 / 32,3 | 2,3 |
| 1.209 | 2.765 / 20,5 | 5.160 / 39,4 | 2,8 |
| 1.449 | 3.318 / 24 | 6.192 / 46,5 | 3,3 |
| 1.689 | 3.871 / 27,6 | 7.224 / 53,8 | 3,7 |
| 2.169 | 4.977 / 34,6 | 9.288 / 67,7 | 4,7 |
| 2.889 | 6.636 / 44,8 | 12.384 / 88,9 | 6,3 |
| 3.370 | 7.742 / 55,2 | 14.448 / 107,6 | 7,4 |

Alle Lumenangaben für 4000K, CRI>80, Reflektor silber hochglanz
 All lumen values for 4000K, CRI>80, reflector silver specular
 Toutes les données de lumens pour 4000K, CRI>80, réflecteur argenté brillant

LINE70

ANBAULEUCHTE | SURFACE MOUNTED LUMINAIRE | LUMINAIRE EN SAILLIE



LED-Anbauleuchte direktstrahlend. Lichtkanal aus Aluminium-Strangpressprofil mit einer Breite von 71mm. Fertigung der Leuchtenlänge millimetergenau auf Kundenwunsch möglich. Oberfläche der Leuchte feinstruktur matt pulverbeschichtet ähnlich RAL 9016 weiß, RAL 9006 silber oder RAL 9005 schwarz – auf Anfrage in RAL nach Wahl. Diffusor wahlweise in PMMA opal oder PMMA klar mit eingeschobener mikroprismatischer Platte für eine reduzierte Leuchtdichte (UGR<19). Der LED-Treiber ist im Leuchtgehäuse integriert – wahlweise als on/off oder DALI-Variante. Farbtemperaturen 2700K, 3000K, 4000K oder dynamisch Weiß (2700K–6500K) – Farbwiedergabe CRI>80 oder CRI>90 – Mac Adam ≤3. Weitere Steuerungsoptionen oder Lichtfarben auf Anfrage erhältlich. Außerdem ist die Integration vieler Komponenten, wie beispielsweise Notlicht oder Sensortechnologie, sowie eine Vielzahl weiterer Optionen möglich.

Surface-mounted LED luminaire with direct beam. Light channel made of extruded aluminium profile with a width of 71 mm. Luminaire length can be manufactured to the exact millimetre on customer request. Surface of the luminaire fine structure matt powder coated similar to RAL 9016 white, RAL 9006 silver or RAL 9005 black - on request in RAL of choice. Diffuser either in PMMA opal or PMMA clear with inserted microprismatic plate for reduced luminance (UGR<19). The LED driver is integrated in the luminaire housing - either as on/off or DALI version. Colour temperatures 2700K, 3000K, 4000K or dynamic white (2700K-6500K) - colour rendering CRI>80 or CRI>90 - Mac Adam ≤3. Further control options or light colours available on request. In addition, the integration of many components, such as emergency lighting or sensor technology, as well as a variety of other options is possible.

Luminaire de surface LED en saillie à éclairage direct. Canal lumineux en profilé d'aluminium extrudé d'une largeur de 71mm. Fabrication de la longueur du luminaire au millimètre près possible sur demande du client. Surface du luminaire à structure fine, revêtement par poudre mat similaire à RAL 9016 blanc, RAL 9006 argent ou RAL 9005 noir - sur demande en RAL au choix. Diffuseur au choix en PMMA opale ou en PMMA transparent avec plaque microprismatique insérée pour un éblouissement réduit (UGR<19). Le pilote LED est intégré dans le boîtier du luminaire - au choix sous forme de variante on/off ou DALI. Températures de couleur 2700K, 3000K, 4000K ou blanc dynamique (2700K-6500K) - Rendu des couleurs CRI>80 ou CRI>90 - Mac Adam ≤3. Autres options de commande ou couleurs de lumière disponibles sur demande. En outre, l'intégration de nombreux composants, tels que l'éclairage de secours ou la technologie de détection, une multitude d'autres options sont possibles.

ÜBERSICHT | OVERVIEW | VUE D'ENSEMBLE

TECHNICAL DATA

2700K / 3000K / 4000K / 2700-6500K

CRI>80 / CRI>90

MacAdam ≤ 3

up to 137 lm/W, up to 2.848 lm/m

on-off / DALI

direct

opal / microprism (UGR <19)

LIFETIME

L80B10 50.000h

OPTIONS

emergency lighting

motion and day-light sensor

many more on demand

HOUSING COLOUR

schwarz | black | noir
RAL 9005



silber | silver | argent
RAL 9006



weiß | white | blanc
RAL 9016



RAL-Farbe nach Wahl auf Anfrage
RAL colour of your choice on demand
Couleur RAL de votre choix sur demande



>80

>90

IP20

DALI

≤3

>50.000 h

ANBAULEUCHTE „LINE70“

SURFACE MOUNTED LUMINAIRE “LINE70”

LUMINAIRE EN SAILLIE « LINE70 »

Bestellbeispiel | Example order | Exemple de commande

3.134 mm, CRI>90, 4000K, **direct**, low output on/off, black, microprism

LI70A - 319401 - LOBLM

1 2 3 4 5 6

1 LÄNGE LENGTH LONGEUR

| | |
|----------|-----------|
| 614 mm | 06 |
| 974 mm | 09 |
| 1.214 mm | 12 |
| 1.454 mm | 14 |
| 1.694 mm | 16 |
| 1.934 mm | 19 |
| 2.174 mm | 21 |
| 2.414 mm | 24 |
| 2.894 mm | 28 |
| 3.134 mm | 31 |
| 3.856 mm | 38 |

2 FARBWIEDERGABE COLOUR RENDERING RENDU DES COULEURS

| | |
|--------|----------|
| CRI>80 | 8 |
| CRI>90 | 9 |

3 FARBTEMPERATUR COLOUR TEMPERATURE TEMPÉRATURE DE COULEUR

| | |
|--------------------------|-----------|
| 2700K (CRI>90 only) | 27 |
| 3000K | 30 |
| 4000K | 40 |
| 2700-6500K (CRI>90 only) | DW |

4 LEISTUNG & STEUERUNG OUTPUT & CONTROL SORTIE & CONTRÔLE

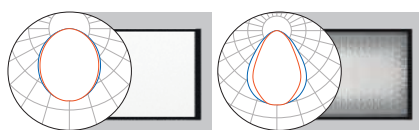
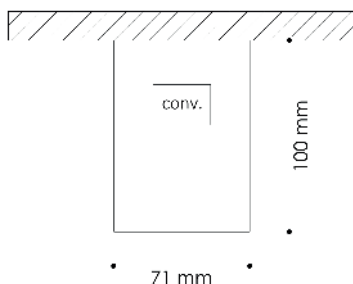
| | |
|------------------------|-----------|
| low output on/off | LO |
| low output DALI | LD |
| high output on/off | HO |
| high output DALI | HD |
| dynamic white DALI DT8 | DW |

5 GEHÄUSEFARBE HOUSING COLOUR COULEUR DU BOÎTIER

| | |
|----------------|-----------|
| silver RAL9006 | SI |
| white RAL9016 | WH |
| black RAL9005 | BL |


6 DIFFUSOR DIFFUSER DIFFUSEUR

| | |
|------------|----------|
| opal | O |
| microprism | M |



opal
direct

microprism
direct

| Size [mm] | low output | | high output | |  |
|--------------|--------------|---------------|--------------|---------------|---|
| | [lm] / [W] | [lm] / [W] | [lm] / [W] | [lm] / [W] | |
| 614 | 1.077 / 11,8 | 1.709 / 16,3 | 1.045 / 11,8 | 1.608 / 16,3 | 2,2 |
| 974 | 1.723 / 15,2 | 2.734 / 25 | 1.672 / 15,2 | 2.573 / 25 | 3,1 |
| 1.214 | 2.154 / 18,8 | 3.418 / 30 | 2.090 / 18,8 | 3.216 / 30 | 3,6 |
| 1.454 | 2.585 / 22,1 | 4.102 / 35,8 | 2.508 / 22,1 | 3.859 / 35,8 | 4,2 |
| 1.694 | 3.016 / 25,5 | 4.785 / 41,1 | 2.926 / 25,5 | 4.502 / 41,1 | 4,9 |
| 1.934 | 3.446 / 28,7 | 5.469 / 46,3 | 3.344 / 28,7 | 5.146 / 46,3 | 5,4 |
| 2.174 | 3.877 / 32 | 6.152 / 52 | 3.762 / 32 | 5.789 / 52 | 6,1 |
| 2.414 | 4.308 / 35,4 | 6.836 / 57,3 | 4.180 / 35,4 | 6.432 / 57,3 | 6,8 |
| 2.894 | 5.170 / 41,6 | 8.203 / 69,6 | 5.016 / 41,6 | 7.718 / 69,6 | 8,0 |
| 3.134 | 5.600 / 44,8 | 8.887 / 75,5 | 5.434 / 44,8 | 8.362 / 75,5 | 8,6 |
| 3.856 | 6.892 / 57,4 | 10.938 / 92,6 | 6.688 / 57,4 | 10.292 / 92,6 | 10,8 |

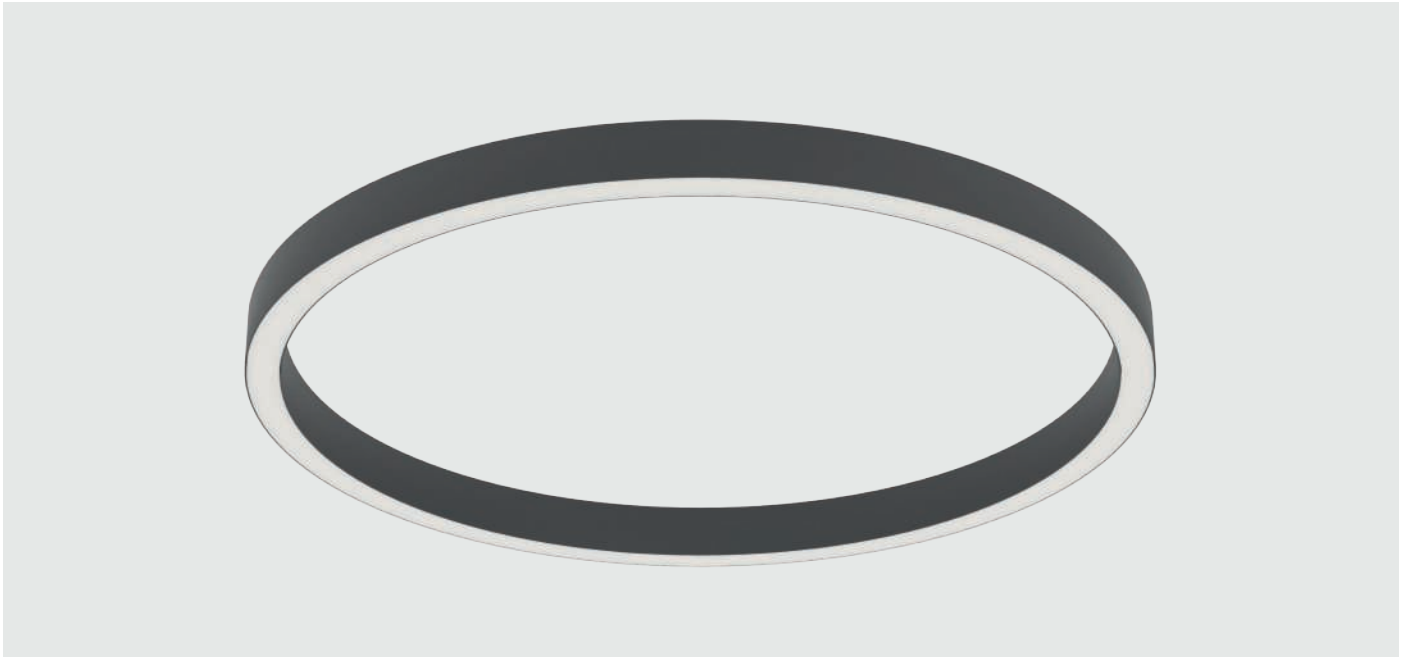
Alle Lumenangaben für 4000K, CRI>80, Microprisma ohne Opalfolie

All lumen values for 4000K, CRI>80, microprism without opal foil

Toutes les données de lumens pour 4000K, CRI>80, microprisme sans feuille opale

RING50

ANBAULEUCHTE | SURFACE MOUNTED LUMINAIRE | LUMINAIRE EN SAILLIE



Ringförmige LED-Anbauleuchte direktstrahlend. Lichtkanal aus gerolltem Aluminiumprofil mit einer Breite von 50 mm. Leuchte erhältlich in neun verschiedenen Durchmessern – 1220 und 1575 mm in einem Stück nahtlos verschweißt – die restlichen Größen (2020, 2595, 3090, 3535, 4070, 5050, 6075 mm) bestehend aus zwei bis neun gleich großen Segmenten. Oberfläche der Leuchte feinstruktur matt pulverbeschichtet ähnlich RAL 9016 weiß, RAL 9006 silber oder RAL 9005 schwarz – auf Anfrage in RAL nach Wahl. Diffusor wahlweise in PMMA opal oder PMMA klar mit mikroprismatischer Prägung für eine reduzierte Leuchtdichte (UGR<19). Der LED-Treiber ist im Leuchtgehäuse integriert – wahlweise als on/off oder DALI-Variante. Farbtemperaturen 2700K, 3000K, 4000K oder dynamisch Weiß (2700K–6500K) – Farbwiedergabe CRI>80 oder CRI>90 – Mac Adam ≤3. Weitere Steuerungsoptionen oder Lichtfarben auf Anfrage erhältlich. Außerdem ist die Integration vieler Komponenten, wie beispielsweise Notlicht oder Sensortechnologie, sowie eine Vielzahl weiterer Optionen möglich.

Ring-shaped surface-mounted LED luminaire with direct beam. Light channel made of rolled aluminium profile with a width of 50 mm. Luminaire available in nine different diameters - 1220 and 1575 mm seamlessly welded in one piece - the remaining sizes (2020, 2595, 3090, 3535, 4070, 5050, 6075 mm) consisting of two to nine equally sized segments. Surface of the luminaire fine structure matt powder coated similar to RAL 9016 white, RAL 9006 silver or RAL 9005 black - on request in RAL of choice. Diffuser either in PMMA opal or PMMA clear with microprismatic pattern for reduced luminance (UGR<19). The LED driver is integrated in the luminaire housing - either as on/off or DALI version. Colour temperatures 2700K, 3000K, 4000K or dynamic white (2700K-6500K) - colour rendering CRI>80 or CRI>90 - Mac Adam ≤3. Further control options or light colours available on request. In addition, the integration of many components, such as emergency lighting or sensor technology, as well as a variety of other options is possible.

Luminaire LED en saillie en forme d'anneau à éclairage direct. Canal lumineux en profilé d'aluminium roulé d'une largeur de 50 mm. Luminaire disponible en neuf diamètres différents - 1220 et 1575 mm en une seule pièce soudée sans soudure - les autres tailles (2020, 2595, 3090, 3535, 4070, 5050, 6075 mm) se composent de deux à neuf segments de même taille. Surface du luminaire à structure fine matte revêtue par poudre similaire à RAL 9016 blanc, RAL 9006 argent ou RAL 9005 noir - sur demande en RAL au choix. Diffuseur au choix en PMMA opale ou en PMMA transparent avec gaufrage microprismatique pour un éblouissement réduit (UGR<19). Le driver LED est intégré dans le boîtier du luminaire - au choix en version on/off ou DALI. Températures de couleur 2700K, 3000K, 4000K ou blanc dynamique (2700K-6500K) - Rendu des couleurs CRI>80 ou CRI>90 - Mac Adam ≤3. Autres options de commande ou couleurs de lumière disponibles sur demande. En outre, l'intégration de nombreux composants, tels que l'éclairage de secours ou la technologie de détection, une multitude d'autres options sont possibles.

ÜBERSICHT | OVERVIEW | VUE D'ENSEMBLE

TECHNICAL DATA

2700K / 3000K / 4000K / 2700-6500K

CRI>80 / CRI>90

MacAdam ≤ 3

up to 119 lm/W

on-off / DALI

direct

opal / microprism (UGR <19)

LIFETIME

L80B10 50.000h

OPTIONS

emergency lighting

motion and day-light sensor

many more on demand

HOUSING COLOUR

schwarz | black | noir
RAL 9005



silber | silver | argent
RAL 9006



weiß | white | blanc
RAL 9016



RAL-Farbe nach Wahl auf Anfrage
RAL colour of your choice on demand
Couleur RAL de votre choix sur demande



ANBAULEUCHTE „RING50“
 SURFACE MOUNTED LUMINAIRE “RING50”
 LUMINAIRE EN SAILLIE « RING50 »

Bestellbeispiel | Example order | Exemple de commande
 6.075 mm, CRI>90, 4000K, **direct**, low output on/off, black, microprism

RG50A - 609401 - LOBLM

1 2 3 4 5 6

1 DURCHMESSER
DIAMETER
DIAMÈTRE

| | |
|------------------|----|
| 1.220 mm (no DW) | 12 |
| 1.575 mm (no DW) | 15 |
| 2.020 mm | 20 |
| 2.595 mm | 25 |
| 3.090 mm | 30 |
| 3.535 mm | 35 |
| 4.070 mm | 40 |
| 5.050 mm | 50 |
| 6.075 mm | 60 |

2 FARBWIEDERGABE
COLOUR RENDERING
RENDU DES COULEURS

| | |
|--------|---|
| CRI>80 | 8 |
| CRI>90 | 9 |

3 FARBTEMPERATUR
COLOUR TEMPERATURE
TEMPÉRATURE DE COULEUR

| | |
|--------------------------|----|
| 2700K (CRI>90 only) | 27 |
| 3000K | 30 |
| 4000K | 40 |
| 2700-6500K (CRI>90 only) | DW |

4 LEISTUNG & STEUERUNG
OUTPUT & CONTROL
SORTIE & CONTRÔLE

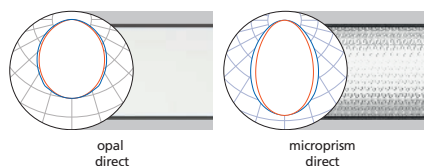
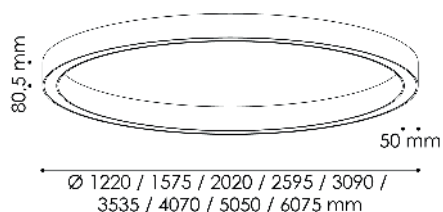
| | |
|------------------------|----|
| low output on/off | LO |
| low output DALI | LD |
| high output on/off | HO |
| high output DALI | HD |
| dynamic white DALI DT8 | DW |

5 GEHÄUSEFARBE
HOUSING COLOUR
COULEUR DU BOÎTIER

| | |
|----------------|----|
| silver RAL9006 | SI |
| white RAL9016 | WH |
| black RAL9005 | BL |

6 DIFFUSOR
DIFFUSER
DIFFUSEUR

| | |
|------------|---|
| opal | O |
| microprism | M |



| Size [mm] | opal direct | | microprism direct | | kg |
|-----------|-----------------------|------------------------|-----------------------|------------------------|------|
| | low output [lm] / [W] | high output [lm] / [W] | low output [lm] / [W] | high output [lm] / [W] | |
| Ø 1.220 | 4.888 / 44,7 | 8.376 / 72,5 | 5.026 / 44,7 | 8.616 / 72,5 | 9,9 |
| Ø 1.575 | 6.110 / 59 | 10.470 / 90,6 | 6.283 / 59 | 10.770 / 90,6 | 12,8 |
| Ø 2.020 | 7.943 / 76,7 | 13.611 / 117,8 | 8.168 / 76,7 | 14.001 / 117,8 | 16,5 |
| Ø 2.595 | 10.387 / 100,3 | 17.799 / 154 | 10.681 / 100,3 | 18.309 / 154 | 21,1 |
| Ø 3.090 | 12.220 / 118 | 20.940 / 181,2 | 12.566 / 118 | 21.540 / 181,2 | 25,2 |
| Ø 3.535 | 14.053 / 135,7 | 24.081 / 208,4 | 14.451 / 135,7 | 24.771 / 208,4 | 28,8 |
| Ø 4.070 | 15.886 / 153,4 | 27.222 / 235,6 | 16.336 / 153,4 | 28.002 / 235,6 | 33,2 |
| Ø 5.050 | 20.163 / 194,7 | 34.551 / 299 | 20.734 / 194,7 | 35.541 / 299 | 41,1 |
| Ø 6.075 | 23.829 / 230,1 | 40.833 / 353,3 | 24.504 / 230,1 | 42.003 / 353,3 | 49,5 |

Alle Lumenangaben für 4000K, CRI>80, Gehäusefarbe weiß
 All lumen values for 4000K, CRI>80, housing colour white
 Toutes les données de lumens pour 4000K, CRI>80, couleur du boîtier blanc

FLEX50

ANBAULEUCHE | SURFACE MOUNTED LUMINAIRE | LUMINAIRE EN SAILLIE


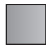




LED-Anbauleuchte als Segment zur individuellen Kombination. Direktstrahlend. Lichtkanal aus gerolltem Aluminiumprofil mit einer Breite von 50 mm. Segmente erhältlich in 13 verschiedenen Varianten – zwei Stück als gerades Profil 980 oder 1960 mm – die restlichen Segmente sind als 40°, 45°, 60°- bzw. 90°-Stücke mit einem Mittenradius von 585 bis 3012,5 mm erhältlich. Oberfläche der Leuchte feinstruktur matt pulverbeschichtet ähnlich RAL 9016 weiß, RAL 9006 silber oder RAL 9005 schwarz – auf Anfrage in RAL nach Wahl. Diffusor wahlweise in PMMA opal oder PMMA mit mikroprismatischer Prägung für eine reduzierte Leuchtdichte (UGR<19). Der LED-Treiber ist im Leuchtgehäuse integriert – wahlweise als on/off oder DALI-Variante. Farbtemperaturen 2700K, 3000K, 4000K oder dynamisch Weiß (2700K–6500K) – Farbwiedergabe CRI>80 oder CRI>90 – Mac Adam ≤3. Weitere Steuerungsoptionen oder Lichtfarben auf Anfrage erhältlich. Außerdem ist die Integration vieler Komponenten, wie beispielsweise Notlicht oder Sensortechnologie, sowie eine Vielzahl weiterer Optionen möglich.

Surface-mounted LED luminaire as segment for individual combination. Direct beam. Light channel made of rolled aluminium profile with a width of 50 mm. Segments available in 13 different versions - two pieces as straight profile 980 or 1960 mm - the remaining segments are available as 40°, 45°, 60° or 90° pieces with a middle radius of 585 to 3012.5 mm. Surface of the luminaire fine structure matt powder coated similar to RAL 9016 white, RAL 9006 silver or RAL 9005 black - on request in RAL of choice. Diffuser either in PMMA opal or PMMA clear with microprismatic pattern for reduced luminance (UGR<19). The LED driver is integrated in the luminaire housing - either as on/off or DALI version. Colour temperatures 2700K, 3000K, 4000K or dynamic white (2700K-6500K) - colour rendering CRI>80 or CRI>90 - Mac Adam ≤3. Further control options or light colours available on request. In addition, the integration of many components, such as emergency lighting or sensor technology, as well as a variety of other options is possible.

Luminaire LED en saillie a segment pour une combinaison individuelle. Éclairage direct de la surface. Canal lumineux en profilé d'aluminium roulé d'une largeur de 50 mm. Segments disponibles en 13 variantes différentes - deux pièces en tant que profil droit de 980 ou 1960 mm - les autres segments sont disponibles en tant que pièces de 40°, 45°, 60° ou 90° avec un rayon central de 585 à 3012,5 mm. Surface du luminaire à structure fine matte revêtue par poudre similaire à RAL 9016 blanc, RAL 9006 argent ou RAL 9005 noir - sur demande en RAL au choix. Diffuseur au choix en PMMA opale ou en PMMA transparent avec gaufrage microprismatique pour un éblouissement réduit (UGR<19). Le driver LED est intégré dans le boîtier du luminaire - au choix en version on/off ou DALI. Températures de couleur 2700K, 3000K, 4000K ou blanc dynamique (2700K-6500K) - Rendu des couleurs CRI>80 ou CRI>90 - Mac Adam ≤3. Autres options de commande ou couleurs de lumière disponibles sur demande. En outre, l'intégration de nombreux composants, tels que l'éclairage de secours ou la technologie de détection, une multitude d'autres options sont possibles.

ÜBERSICHT | OVERVIEW | VUE D'ENSEMBLE

| TECHNICAL DATA | |
|--|---|
| 2700K / 3000K / 4000K / 2700-6500K | |
| CRI>80 / CRI>90 | |
| MacAdam ≤ 3 | |
| up to 119 lm/W | |
| on-off / DALI | |
| direct | |
| opal / microprism (UGR <19) | |
| HOUSING COLOUR | |
| schwarz black noir RAL 9005 |  |
| silber silver argent RAL 9006 |  |
| weiß white blanc RAL 9016 |  |
| RAL-Farbe nach Wahl auf Anfrage RAL colour of your choice on demand Couleur RAL de votre choix sur demande |  |

| LIFETIME |
|----------------|
| L80B10 50.000h |

| OPTIONS |
|-----------------------------|
| emergency lighting |
| motion and day-light sensor |
| many more on demand |

| | | | | | | |
|---|--|---|--|---|--|---|
|  LED |  CRI |  CRI |  IP20 |  |  SDCM |  |
| | >80 | >90 | | DALI | ≤3 | >50.000 h |

ANBAULEUCHTE „FLEX50“
 SURFACE MOUNTED LUMINAIRE “FLEX50”
 LUMINAIRE EN SAILLIE « FLEX50 »

Bestellbeispiel | Example order | Exemple de commande
 straight, 1.960 mm, CRI>90, 4000K, **direct**, low output on/off, black, microprism

FX50E - L29401 - LOBLM

1 2 3 4 5 6

| 1 GRÖSSE SIZE TAILLE | |
|----------------------------|----|
| straight, L 980 mm | L1 |
| straight, L 1.960 mm | L2 |
| 90°, R 585 mm (no DW) | 19 |
| 90°, R 762,5 mm (no DW) | 29 |
| 90°, R 985 mm | 39 |
| 45°, R 1.272,5 mm | 44 |
| 90°, R 1.272,5 mm | 49 |
| 60°, R 1.520 mm | 56 |
| 90°, R 1.520 mm | 59 |
| 60°, R 1.742,5 mm | 66 |
| 60°, R 2.010 mm | 76 |
| 45°, R 2.500 mm | 84 |
| 40°, R 3.012,5 mm | 94 |

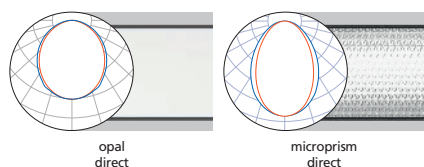
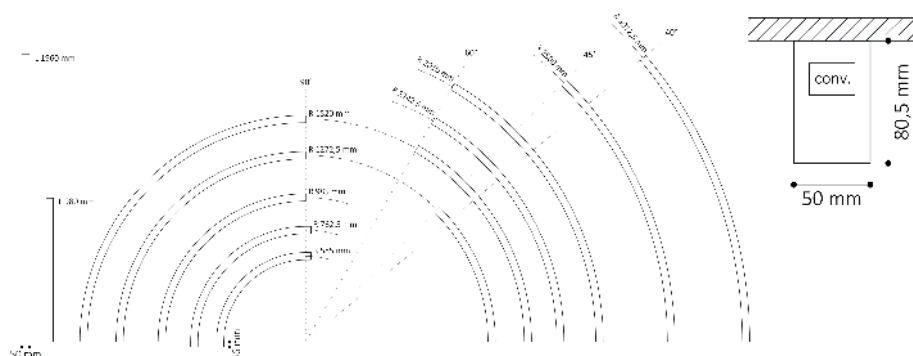
| 2 FARBWIEDERGABE COLOUR RENDERING RENDU DES COULEURS | |
|--|---|
| CRI>80 | 8 |
| CRI>90 | 9 |

| 3 FARBTemperatur COLOUR TEMPERATURE TEMPÉRATURE DE COULEUR | |
|--|----|
| 2700K (CRI>90 only) | 27 |
| 3000K | 30 |
| 4000K | 40 |
| 2700-6500K (CRI>90 only) | DW |

| 4 LEISTUNG & STEUERUNG OUTPUT & CONTROL SORTIE & CONTRÔLE | |
|---|----|
| low output on/off | LO |
| low output DALI | LD |
| high output on/off | HO |
| high output DALI | HD |
| dynamic white DALI DT8 | DW |

| 5 GEHÄUSEFARBE HOUSING COLOUR COULEUR DU BOÎTIER | |
|--|----|
| silver RAL9006 | SI |
| white RAL9016 | WH |
| black RAL9005 | BL |

| 6 DIFFUSOR DIFFUSER DIFFUSEUR | |
|-------------------------------------|---|
| opal | O |
| microprism | M |



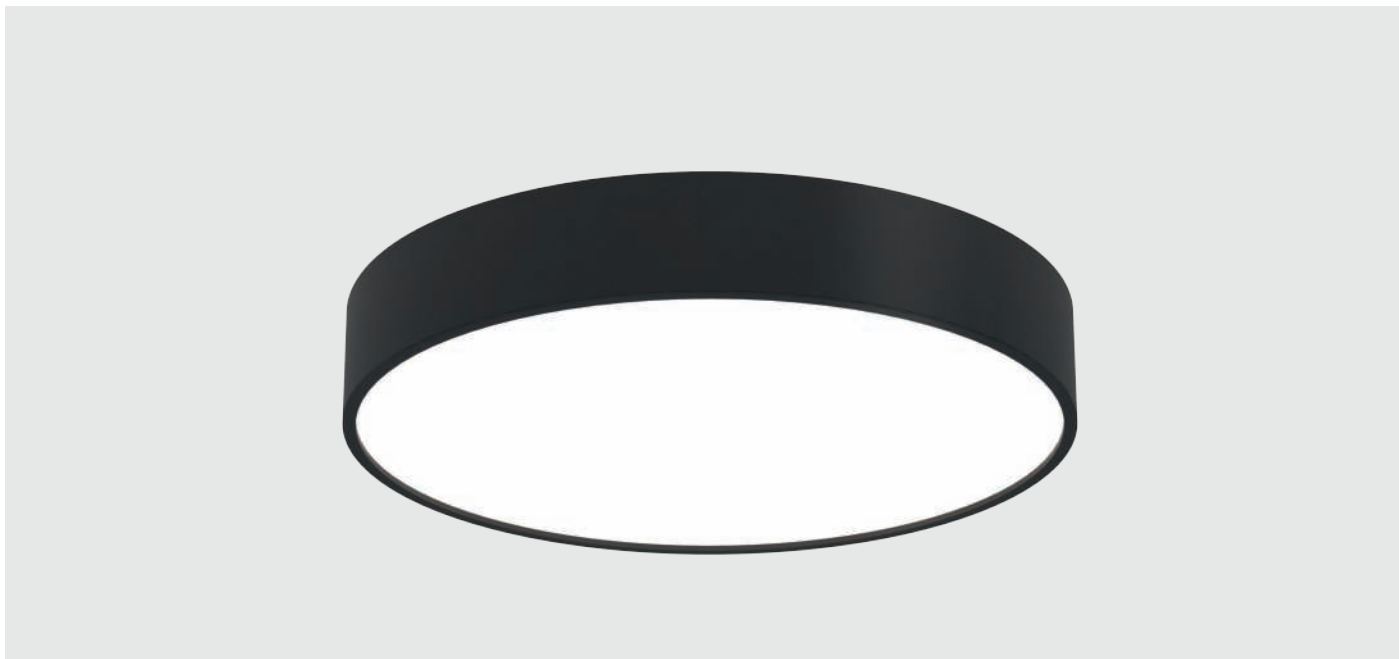
| Size [mm] | opal direct | | microprism direct | | KG |
|-------------------|-----------------------|------------------------|-----------------------|------------------------|-----|
| | low output [lm] / [W] | high output [lm] / [W] | low output [lm] / [W] | high output [lm] / [W] | |
| straight, L 980 | 1.222 / 11,2 | 2.094 / 18,1 | 1.257 / 11,2 | 2.153 / 18,1 | 2,6 |
| straight, L 1.960 | 2.554 / 23,3 | 4.377 / 37,8 | 2.626 / 23,3 | 4.377 / 37,8 | 5,3 |
| 90°, R 585 | 1.224 / 11,2 | 2.096 / 18,1 | 1.256 / 11,2 | 2.156 / 18,1 | 2,6 |
| 90°, R 762,5 | 1.530 / 14 | 2.620 / 22,7 | 1.570 / 14 | 2.695 / 22,7 | 3,3 |
| 90°, R 985 | 1.836 / 16,8 | 3.144 / 27,2 | 1.884 / 16,8 | 3.234 / 27,2 | 4,3 |
| 45°, R 1.272,5 | 1.224 / 11,2 | 2.096 / 18,1 | 1.256 / 11,2 | 2.156 / 18,1 | 2,7 |
| 90°, R 1.272,5 | 2.448 / 22,4 | 4.192 / 36,2 | 2.512 / 22,4 | 4.312 / 36,2 | 5,5 |
| 60°, R 1.520 | 1.836 / 16,8 | 3.144 / 27,2 | 1.884 / 16,8 | 3.234 / 27,2 | 4,3 |
| 90°, R 1.520 | 3.060 / 28 | 5.240 / 45,3 | 3.140 / 28 | 5.390 / 45,3 | 6,5 |
| 60°, R 1.742,5 | 2.142 / 19,6 | 3.668 / 31,7 | 2.198 / 19,6 | 3.773 / 31,7 | 5,0 |
| 60°, R 2.010 | 2.754 / 25,2 | 4.716 / 40,8 | 2.826 / 25,2 | 4.851 / 40,8 | 5,7 |
| 45°, R 2.500 | 2.448 / 22,4 | 4.192 / 36,2 | 2.512 / 22,4 | 4.312 / 36,2 | 5,3 |
| 40°, R 3.012,5 | 2.754 / 25,2 | 4.716 / 40,8 | 2.826 / 25,2 | 4.851 / 40,8 | 5,7 |

| ACCESSORIES | |
|-------------------|-------------|
| END CAPS - 2 pcs. | |
| black | FX50A-EC-BL |
| silver | FX50A-EC-SI |
| white | FX50A-EC-WH |

Alle Lumenangaben für 4000K, CRI>80, Gehäusefarbe weiß
 All lumen values for 4000K, CRI>80, housing colour white
 Toutes les données de lumens pour 4000K, CRI>80, couleur du boîtier blanc

ROUND90

ANBAULEUCHTE | SURFACE MOUNTED LUMINAIRE | LUMINAIRE EN SAILLIE



Runde LED-Flächenleuchte zur Anbaumontage. Direktstrahlend oder direkt-indirektstrahlend. Gehäuse aus gerolltem Aluminiumprofil, nahtlos verschweißt. Fertigung der Leuchte in vier Durchmesser: 350, 450, 650 und 950 mm mit einer Gesamthöhe von 90 mm. Oberfläche pulverbeschichtet feinstruktur matt ähnlich RAL 9016 weiß, RAL 9006 silber oder RAL 9005 schwarz – auf Anfrage in RAL nach Wahl. Die durchdachte Konstruktion der Leuchte ermöglicht ein Design in zahlreichen Farbkombinationen – zwischen Gehäusefarbe und Dekorring kann beliebig kombiniert werden. Um der Leuchtenfamilie neben den Standardfarben einen dekorativen Touch zu verleihen, steht der Dekorring auch in den strukturierten Spezialoberflächen schlaggold, schlagsilber und schlagbronze zur Auswahl. Diffuser in PMMA wahlweise opal, mikroprismatisch inkl. Streufolie oder nur mikroprismatisch (office special) für eine reduzierte Leuchtdichte (UGR<19). Einfache Montage durch Einschieben des Leuchtgehäuses in den Baldachin. Der LED-Treiber ist im Leuchtgehäuse integriert – wahlweise als on/off oder DALI-Variante. Farbtemperaturen 2700K, 3000K, 4000K oder dynamisch Weiß (2700K–6500K) – Farbwiedergabe CRI>80 oder CRI>90 – Mac Adam ≤3. Weitere Steuerungsoptionen oder Lichtfarben auf Anfrage möglich. Außerdem ist die Integration vieler Komponenten, wie beispielsweise Notlicht oder Sensortechnologie, sowie eine Vielzahl weiterer Optionen möglich.

Round surface-mounted LED luminaire. Direct beam or direct-indirect beam. Housing made of rolled aluminium profile, seamlessly welded. Luminaire manufactured in four diameters: 350, 450, 650 and 950 mm with a total height of 90 mm. Surface powder coated fine structure matt similar to RAL 9016 white, RAL 9006 silver or RAL 9005 black - on request in RAL of choice. The sophisticated construction of the luminaire allows a design in numerous colour combinations - any combination of housing colour and decorative ring is possible. To give the luminaire family a decorative touch in addition to the standard colours, the decorative ring is also available in the special textured surfaces beaten gold, beaten silver and beaten bronze. Diffuser in PMMA either opal, microprism incl. diffuser foil or only microprism (office special) for reduced luminance (UGR<19). Easy installation by sliding the luminaire housing into the canopy. The LED driver is integrated in the luminaire housing - either as on/off or DALI version. Colour temperatures 2700K, 3000K, 4000K or dynamic white (2700K-6500K) - colour rendering CRI>80 or CRI>90 - Mac Adam ≤3. Further control options or light colours available on request. In addition, the integration of many components, such as emergency lighting or sensor technology, as well as a variety of other options is possible.

Luminaire LED rond en saillie. Éclairage direct ou éclairage direct-indirect. Boîtier en profilé d'aluminium roulé, soudé sans soudeuse. Fabrication du luminaire en quatre diamètres : 350, 450, 650 et 950 mm avec une hauteur totale de 90 mm. Surface revêtue par poudre à structure fine mate similaire à RAL 9016 blanc, RAL 9006 argent ou RAL 9005 noir - sur demande en RAL au choix. La construction bien pensée du luminaire permet un design dans de nombreuses combinaisons de couleurs - il est possible de combiner à volonté entre la couleur du boîtier et l'anneau décoratif. Pour donner à la famille de luminaires une touche décorative en plus des couleurs standard, l'anneau décoratif est également disponible dans les surfaces spéciales structurées ou choc, argent choc et bronze choc. Diffuseur en PMMA au choix opale, microprismatique y compris feuille diffusante ou uniquement microprismatique (office special) pour un éblouissement réduit (UGR<19). Montage facile en insérant le corps du luminaire dans le canopy. Le driver LED est intégré dans le boîtier du luminaire - au choix en version on/off ou DALI. Températures de couleur 2700K, 3000K, 4000K ou blanc dynamique (2700K-6500K) - Rendu des couleurs CRI>80 ou CRI>90 - Mac Adam ≤3. Autres options de commande ou couleurs de lumière possibles sur demande. En outre, l'intégration de nombreux composants, tels que l'éclairage de secours ou la technologie des capteurs, une multitude d'autres options sont possibles.

ÜBERSICHT | OVERVIEW | VUE D'ENSEMBLE

| TECHNICAL DATA |
|--|
| 2700K / 3000K / 4000K / 2700-6500K |
| CRI>80 / CR>90 |
| MacAdam ≤ 3 |
| up to 174 lm/W |
| on-off / DALI |
| direct / direct + indirect |
| opal / microprism / office special (UGR <19) |

| LIFETIME |
|----------------|
| L80B10 50.000h |

| OPTIONS |
|-----------------------------|
| emergency lighting |
| motion and day-light sensor |
| many more on demand |



| HOUSING COLOUR | |
|--|--|
| schwarz black noir RAL 9005 | |
| silber silver argent RAL 9006 | |
| weiß white blanc RAL 9016 | |
| RAL-Farbe nach Wahl auf Anfrage RAL colour of your choice on demand Couleur RAL de votre choix sur demande | |

| DECORATION RING COLOUR | | | |
|--|--|--|--|
| schwarz black noir RAL 9005 | | schlaggold beaten gold or texturés | |
| silber silver argent RAL 9006 | | schlagsilber beaten silver argent texturés | |
| weiß white blanc RAL 9016 | | schlagbronze beaten bronze bronze texturés | |
| RAL-Farbe nach Wahl auf Anfrage RAL colour of your choice on demand Couleur RAL de votre choix sur demande | | | |

ANBAULEUCHTE „ROUND90“
 SURFACE MOUNTED LUMINAIRE “ROUND90”
 LUMINAIRE EN SAILLIE « ROUND90 »

Bestellbeispiel | Example order | Exemple de commande
 350 mm, CRI>90, 4000K, direct, low output on/off, black, beaten gold, microprism

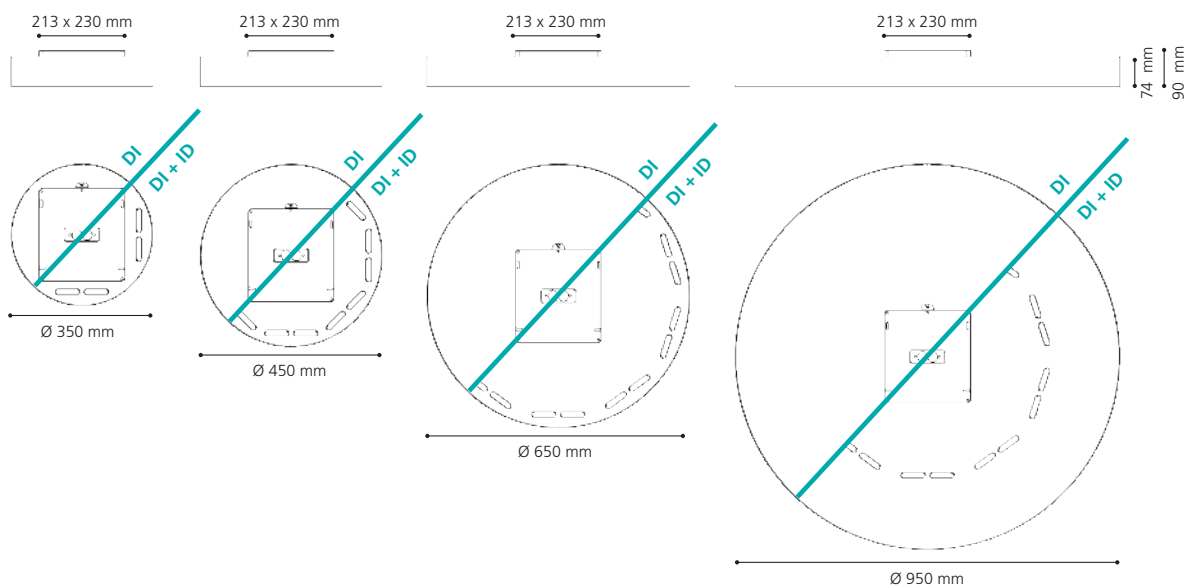
RO90A - 359401 - LOBGM

1 2 3 4 5 6 7 8

| | | |
|----------|---|-----------|
| 1 | DURCHMESSER DIAMETER DIAMÈTRE | |
| | 350 mm | 35 |
| | 450 mm | 45 |
| | 650 mm | 65 |
| | 950 mm | 95 |
| 2 | FARBWIEDERGABE COLOUR RENDERING RENDU DES COULEURS | |
| | CRI>80 | 8 |
| | CRI>90 | 9 |
| 3 | FARBTEMPERATUR COLOUR TEMPERATURE TEMPÉRATURE DE COULEUR | |
| | 2700K (CRI>90 only) | 27 |
| | 3000K | 30 |
| | 4000K | 40 |
| | 2700-6500K (CRI>90 only) | DW |

| | | |
|----------|--|-----------|
| 4 | LICHTVERTEILUNG LIGHT DISTRIBUTION DISTRIBUTION DE LA LUMIÈRE | |
| | direct | 1 |
| | direct + indirect | 2 |
| 5 | LEISTUNG & STEUERUNG OUTPUT & CONTROL SORTIE & CONTRÔLE | |
| | low output on/off | LO |
| | low output DALI | LD |
| | high output on/off | HO |
| | high output DALI | HD |
| | dynamic white DALI DT8 | DW |
| 6 | GEHÄUSEFARBE HOUSING COLOUR COULEUR DU BOÎTIER | |
| | silver RAL9006 | S |
| | white RAL9016 | W |
| | black RAL9005 | B |

| | | |
|----------|--|----------|
| 7 | DEKORRING FARBE DECORATION RING COLOUR BAGUE DÉCORATIVE COULEUR | |
| | silver RAL9006 | S |
| | white RAL9016 | W |
| | black RAL9005 | B |
| | beaten gold | G |
| | beaten silver | A |
| | beaten bronze | C |
| 8 | DIFFUSOR DIFFUSER DIFFUSEUR | |
| | opal | O |
| | microprism | M |
| | office special | B |



| Size [mm] | opal direct | | microprism direct | | office special direct | | opal direct + indirect | | microprism direct + indirect | | office special direct + indirect | | KG |
|-----------|-----------------------|------------------------|-----------------------|------------------------|-----------------------|------------------------|------------------------|------------------------|------------------------------|------------------------|----------------------------------|------------------------|------|
| | low output [lm] / [W] | high output [lm] / [W] | low output [lm] / [W] | high output [lm] / [W] | low output [lm] / [W] | high output [lm] / [W] | low output [lm] / [W] | high output [lm] / [W] | low output [lm] / [W] | high output [lm] / [W] | low output [lm] / [W] | high output [lm] / [W] | |
| Ø 350 | 1.158 / 8,5 | 1.826 / 13 | 1.077 / 8,5 | 1.697 / 13 | 1.213 / 8,5 | 1.905 / 13 | 1.747 / 12 | 2.625 / 17,5 | 1.661 / 12 | 2.493 / 17,5 | 1.795 / 12 | 2.691 / 17,5 | 3,4 |
| Ø 450 | 2.257 / 15,5 | 3.561 / 23,5 | 2.099 / 15,5 | 3.309 / 23,5 | 2.364 / 15,5 | 3.715 / 23,5 | 3.207 / 21 | 4.820 / 30 | 3.050 / 21 | 4.577 / 30 | 3.295 / 21 | 4.941 / 30 | 4,0 |
| Ø 650 | 4.114 / 27 | 6.489 / 41 | 3.825 / 27 | 6.029 / 41 | 4.309 / 27 | 6.770 / 41 | 5.534 / 35 | 8.317 / 51 | 5.263 / 35 | 7.897 / 51 | 5.687 / 35 | 8.526 / 51 | 7,6 |
| Ø 950 | 9.102 / 57 | 14.360 / 86 | 8.466 / 57 | 13.342 / 86 | 8.466 / 57 | 13.342 / 86 | 11.036 / 68 | 16.585 / 99 | 10.494 / 68 | 15.748 / 99 | 11.342 / 68 | 17.004 / 99 | 19,0 |

Alle Lumenangaben für 4000K, CRI>80, Gehäusefarbe weiß
 All lumen values for 4000K, CRI>80, housing colour white
 Toutes les données de lumens pour 4000K, CRI>80, couleur du boîtier blanc

SQUARE90

ANBAULEUCHTE | SURFACE MOUNTED LUMINAIRE | LUMINAIRE EN SAILLIE



Quadratische LED-Flächenleuchte zur Anbaumontage. Direktstrahlend oder direkt-indirektstrahlend. Gehäuse aus Aluminiumprofil, nahtlos verschweißt. Fertigung der Leuchte in vier Größen: 350, 450, 650 und 950 mm mit einer Gesamthöhe von 90 mm. Oberfläche pulverbeschichtet feinstruktur matt ähnlich RAL 9016 weiß, RAL 9006 silber oder RAL 9005 schwarz – auf Anfrage in RAL nach Wahl. Die durchdachte Konstruktion der Leuchte ermöglicht ein Design in zahlreichen Farbkombinationen – zwischen Gehäusefarbe und Dekorring kann beliebig kombiniert werden. Um der Leuchtenfamilie neben den Standardfarben einen dekorativen Touch zu verleihen, steht der Dekorring auch in den strukturierten Spezialoberflächen schlaggold, schlagsilber und schlagbronze zur Auswahl. Diffuser in PMMA wahlweise opal, mikroprismatisch inkl. Streufolie oder nur mikroprismatisch (office special) für eine reduzierte Leuchtdichte (UGR<19). Einfache Montage durch Einschieben des Leuchtengehäuses in den Baldachin. Der LED-Treiber ist im Leuchtengehäuse integriert – wahlweise als on/off oder DALI-Variante. Farbtemperaturen 2700K, 3000K, 4000K oder dynamisch Weiß (2700K–6500K) – Farbwiedergabe CRI>80 oder CRI>90 – Mac Adam ≤3. Weitere Steuerungsoptionen oder Lichtfarben auf Anfrage möglich. Außerdem ist die Integration vieler Komponenten, wie beispielsweise Notlicht oder Sensortechnologie, sowie eine Vielzahl weiterer Optionen möglich.

Square surface-mounted LED luminaire. Direct beam or direct-indirect beam. Housing made of aluminium profile, seamlessly welded. Luminaire manufactured in four sizes: 350, 450, 650 and 950 mm with a total height of 90 mm. Surface powder coated fine structure matt similar to RAL 9016 white, RAL 9006 silver or RAL 9005 black - on request in RAL of choice. The sophisticated construction of the luminaire allows a design in numerous colour combinations - any combination of housing colour and decorative ring is possible. To give the luminaire family a decorative touch in addition to the standard colours, the decorative ring is also available in the structured special surfaces of beaten gold, beaten silver and beaten bronze. Diffuser in PMMA either opal, microprism incl. diffuser foil or only microprism (office special) for reduced luminance (UGR<19). Easy mounting by sliding the luminaire housing into the canopy. The LED driver is integrated in the luminaire housing - either as on/off or DALI version. Colour temperatures 2700K, 3000K, 4000K or dynamic white (2700K-6500K) - colour rendering CRI>80 or CRI>90 - Mac Adam ≤3. Further control options or light colours available on request. In addition, the integration of many components, such as emergency lighting or sensor technology, as well as a variety of other options is possible.

Luminaire carré LED en saillie. Éclairage direct ou direct-indirect. Boîtier en profilé d'aluminium, soudé sans soudure. Fabrication du luminaire en quatre dimensions : 350, 450, 650 et 950 mm avec une hauteur totale de 90 mm. Surface revêtue par poudre à structure fine mate similaire à RAL 9016 blanc, RAL 9006 argent ou RAL 9005 noir - sur demande en RAL au choix. La construction bien pensée du luminaire permet un design dans de nombreuses combinaisons de couleurs - il est possible de combiner à volonté entre la couleur du boîtier et l'anneau décoratif. Pour donner à la famille de luminaires une touche décorative en plus des couleurs standard, l'anneau décoratif est également disponible dans les surfaces spéciales structurées or choc, argent choc et bronze choc. Diffuseur en PMMA au choix opale, microprismatique y compris film diffusant ou uniquement microprismatique (office special) pour un éblouissement réduit (UGR<19). Montage facile en insérant le corps du luminaire dans le canopy. Le driver LED est intégré dans le boîtier du luminaire - au choix en version on/off ou DALI. Températures de couleur 2700K, 3000K, 4000K ou blanc dynamique (2700K-6500K) - Rendu des couleurs CRI>80 ou CRI>90 - Mac Adam ≤3. Autres options de commande ou couleurs de lumière possibles sur demande. En outre, l'intégration de nombreux composants, tels que l'éclairage de secours ou la technologie des capteurs, une multitude d'autres options sont possibles.

ÜBERSICHT | OVERVIEW | VUE D'ENSEMBLE

TECHNICAL DATA

2700K / 3000K / 4000K / 2700-6500K

CRI>80 / CRI>90

MacAdam ≤ 3

up to 175 lm/W

on-off / DALI

direct / direct + indirect

opal / microprism / office special (UGR <19)

LIFETIME

L80B10 50.000h

OPTIONS

emergency lighting

motion and day-light sensor

many more on demand



HOUSING COLOUR

schwarz | black | noir
RAL 9005



silber | silver | argent
RAL 9006



weiß | white | blanc
RAL 9016



RAL-Farbe nach Wahl auf Anfrage
RAL colour of your choice on demand
Couleur RAL de votre choix sur demande



DECORATION RING COLOUR

schwarz | black | noir
RAL 9005



silber | silver | argent
RAL 9006



weiß | white | blanc
RAL 9016



RAL-Farbe nach Wahl auf Anfrage
RAL colour of your choice on demand
Couleur RAL de votre choix sur demande



schlaggold | beaten gold | or texturés



schlagsilber | beaten silver | argent texturés



schlagbronze | beaten bronze | bronze texturés



ANBAULEUCHTE „SQURE90“
 SURFACE MOUNTED LUMINAIRE “SQURE90”
 LUMINAIRE EN SAILLIE « SQURE90 »

Bestellbeispiel | Example order | Exemple de commande
 350 mm, CRI>90, 4000K, direct, low output on/off, black, beaten gold, microprismmicoprism

SQ90A - 359401 - LOBGM

1 2 3 4 5 6 7 8

1 GRÖSSE
 SIZE
 TAILLE

| | |
|--------------|-----------|
| 350 x 350 mm | 35 |
| 450 x 450 mm | 45 |
| 650 x 650 mm | 65 |
| 950 x 950 mm | 95 |

2 FARBWIEDERGABE
 COLOUR RENDERING
 RENDU DES COULEURS

| | |
|--------|----------|
| CRI>80 | 8 |
| CRI>90 | 9 |

3 FARBTEMPERATUR
 COLOUR TEMPERATURE
 TEMPÉRATURE DE COULEUR

| | |
|--------------------------|-----------|
| 2700K (CRI>90 only) | 27 |
| 3000K | 30 |
| 4000K | 40 |
| 2700-6500K (CRI>90 only) | DW |

4 LICHTVERTEILUNG
 LIGHT DISTRIBUTION
 DISTRIBUTION DE LA LUMIÈRE

| | |
|-------------------|----------|
| direct | 1 |
| direct + indirect | 2 |

5 LEISTUNG & STEUERUNG
 OUTPUT & CONTROL
 SORTIE & CONTRÔLE

| | |
|------------------------|-----------|
| low output on/off | LO |
| low output DALI | LD |
| high output on/off | HO |
| high output DALI | HD |
| dynamic white DALI DT8 | DW |

6 GEHÄUSEFARBE
 HOUSING COLOUR
 COULEUR DU BOÎTIER

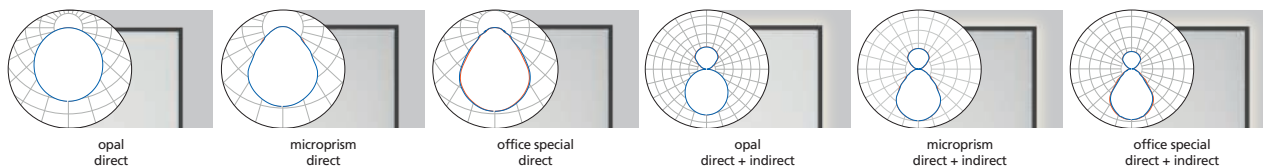
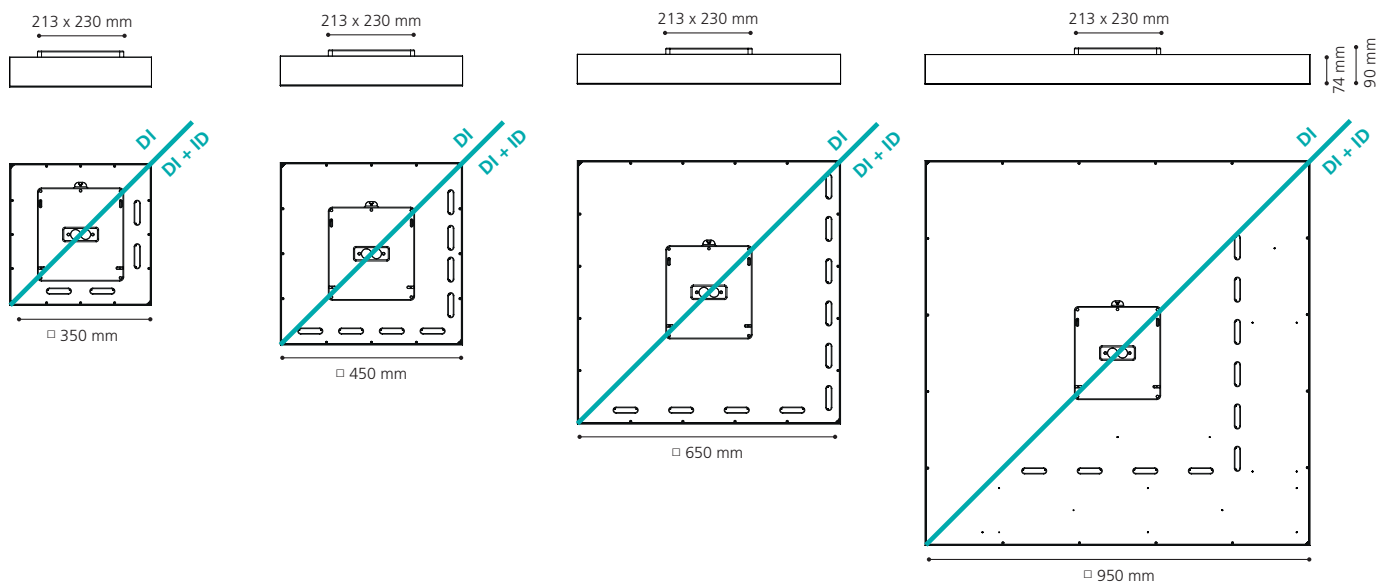
| | |
|----------------|----------|
| black RAL9005 | B |
| silver RAL9006 | S |
| white RAL9016 | W |

7 DEKORRING FARBE
 DECORATION RING COLOUR
 BAGUE DÉCORATIVE COULEUR

| | |
|----------------|----------|
| black RAL9005 | B |
| silver RAL9006 | S |
| white RAL9016 | W |
| beaten gold | G |
| beaten silver | A |
| beaten bronze | C |

8 DIFFUSOR
 DIFFUSER
 DIFFUSEUR

| | |
|----------------|----------|
| opal | O |
| microprism | M |
| office special | B |



| Size [mm] | opal direct | | microprism direct | | office special direct | | opal direct + indirect | | microprism direct + indirect | | office special direct + indirect | | KG |
|-----------|-----------------------|------------------------|-----------------------|------------------------|-----------------------|------------------------|------------------------|------------------------|------------------------------|------------------------|----------------------------------|------------------------|------|
| | low output [lm] / [W] | high output [lm] / [W] | low output [lm] / [W] | high output [lm] / [W] | low output [lm] / [W] | high output [lm] / [W] | low output [lm] / [W] | high output [lm] / [W] | low output [lm] / [W] | high output [lm] / [W] | low output [lm] / [W] | high output [lm] / [W] | |
| □ 350 | 1.349 / 9,9 | 2.365 / 16,7 | 1.256 / 9,9 | 2.208 / 16,7 | 1.402 / 9,9 | 2.470 / 16,7 | 2.029 / 13,8 | 3.488 / 23,1 | 1.923 / 13,8 | 3.308 / 23,1 | 2.081 / 13,8 | 3.579 / 23,1 | 3,9 |
| □ 450 | 2.288 / 15,4 | 4.011 / 26 | 2.130 / 15,4 | 3.744 / 26 | 2.377 / 15,4 | 4.189 / 26 | 3.236 / 20,7 | 5.563 / 34,6 | 3.067 / 20,7 | 5.276 / 34,6 | 3.319 / 20,7 | 5.709 / 34,6 | 5,4 |
| □ 650 | 4.711 / 30,5 | 8.258 / 51,6 | 4.385 / 30,5 | 7.708 / 51,6 | 4.894 / 30,5 | 8.624 / 51,6 | 5.845 / 37 | 10.048 / 61,8 | 5.845 / 37 | 9.530 / 61,8 | 5.995 / 37 | 10.312 / 61,8 | 9,3 |
| □ 950 | 9.868 / 60,9 | 17.299 / 102,8 | 9.187 / 60,9 | 16.148 / 102,8 | 10.252 / 60,9 | 18.067 / 102,8 | 10.918 / 67,4 | 18.770 / 112,6 | 10.348 / 67,4 | 17.801 / 112,6 | 11.198 / 67,4 | 19.262 / 112,6 | 23,4 |

Alle Lumenangaben für 4000K, CRI>80, Gehäusefarbe weiß
 All lumen values for 4000K, CRI>80, housing colour white
 Toutes les données de lumens pour 4000K, CRI>80, couleur du boîtier blanc

techDOT 150 surface

DOWNLIGHT | DOWNLIGHT | DOWNLIGHT



Runder LED-Anbaudownlight direktstrahlend. Leuchte aus Aluminium-Druckguss mit einem Durchmesser von 151 mm und einer Höhe von 200 mm. Oberfläche der Leuchte feinstruktur matt pulverbeschichtet ähnlich RAL 9016 weiß oder ähnlich RAL 9005 schwarz. Das Baukastensystem ermöglicht das Auswählen von zwei unterschiedlichen Reflektor-Farben: silber-matt oder schwarz-matt für eine reduzierte Leuchtdichte (UGR<19). Der LED-Treiber ist im Leuchtgehäuse integriert – wahlweise als on/off Variante oder als DALI-Variante mit verschiedenen Leistungsstufen. Farbtemperaturen 3000K oder 4000K – Farbwiedergabe CRI>90 – Mac Adam ≤3. Weitere Optionen und Konfigurationen auf Anfrage möglich.

Round surface mounted LED downlight direct beam. Luminaire made of die-cast aluminium with a diameter of 151 mm and a height of 200 mm. Surface of the luminaire fine structure matt powder coated similar to RAL 9016 white or similar to RAL 9005 black. The modular system allows the selection of two different reflector colours: matt silver or matt black for reduced luminance (UGR<19). The LED driver is integrated in the luminaire housing - either as an on/off version or as a DALI version with different power levels. Colour temperatures 3000K or 4000K - colour rendering CRI>90 - Mac Adam ≤3. Further options and configurations available on request.

Luminaire rond LED en saillie à éclairage direct. Luminaire en aluminium moulé sous pression d'un diamètre de 151 mm et d'une hauteur de 200 mm. Surface du luminaire revêtue de poudre à structure fine mate similaire à RAL 9016 blanc ou similaire à RAL 9005 noir. Le système modulaire permet de choisir entre deux couleurs de réflecteur différentes : argent mat ou noir mat un éblouissement réduit (UGR<19). Le pilote LED est intégré dans le boîtier du luminaire - au choix en version on/off ou en version DALI avec différents niveaux de puissance. Températures de couleur 3000K ou 4000K - Rendu des couleurs CRI>90 - Mac Adam ≤3. Autres options et configurations possibles sur demande.

ÜBERSICHT | OVERVIEW | VUE D'ENSEMBLE

TECHNICAL DATA

3000K / 4000K

CRI>90

MacAdam ≤ 3

on-off / DALI

beam angle: 60°

LIFETIME

L80B10 50.000h

OPTIONS

emergency lighting

many more on demand



>90

IP20

DALI

≤3

>50.000 h

HOUSING COLOUR

schwarz | black | noir
RAL 9005



weiß | white | blanc
RAL 9016



REFLECTOR COLOUR

silber matt | silver matt | argenté mat



schwarz matt | black matt | noir mat



DOWNLIGHT „techDOT150surface“
 DOWNLIGHT “techDOT150surface”
 DOWNLIGHT « techDOT150surface »

Bestellbeispiel | Example order | Exemple de commande
 60°, CRI>90, 4000K, **direct**, low output on/off, black, silver matt

TD15A - 609401 - LOBLM

① ② ③ ④

1 **FARBTEMPERATUR**
 COLOUR TEMPERATURE
 TEMPÉRATURE DE COULEUR

| | |
|-------|-----------|
| 3000K | 30 |
| 4000K | 40 |

2 **LEISTUNG & STEUERUNG**
 OUTPUT & CONTROL
 SORTIE & CONTRÔLE

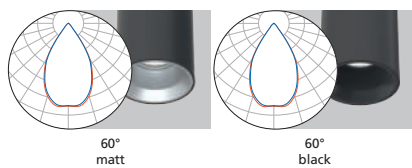
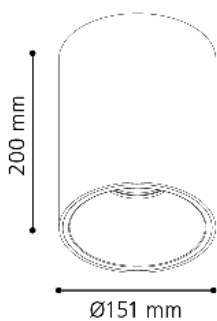
| | |
|--------------------|-----------|
| low output on/off | LO |
| high output on/off | HO |
| high output DALI | HD |

3 **GEHÄUSEFARBE**
 HOUSING COLOUR
 COULEUR DU BOÎTIER

| | |
|---------------|-----------|
| white RAL9016 | WH |
| black RAL9005 | BL |

4 **REFLEKTOR FARBE**
 REFLECTOR COLOUR
 COULEUR DU RÉFLECTEUR

| | |
|-------------|----------|
| silver matt | M |
| black matt | B |



| Size [mm] | low output [lm] / [W] | high output [lm] / [W] | low output [lm] / [W] | high output [lm] / [W] | [kg] |
|-----------|-----------------------|------------------------|-----------------------|------------------------|------|
| Ø 151 | 1.333 / 15,5 | 2.135 / 25 | 1.277 / 15,5 | 2.085 / 25 | 2,2 |

Alle Lumenangaben für 4000K
 All lumen values for 4000K
 Toutes les données de lumens pour 4000

OVERVIEW

HÄNGELEUCHTEN | PENDANT LUMINAIRES | SUSPENSIONS



LINE40
106



LINE50
108



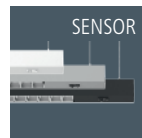
LINE50hex
110



LINE50quad
112



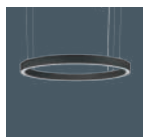
officeLINE50
114



officeLINE50
116



LINE70
118



RING50
120



FLEX50
122



ROUND90
124



SQUARE90
126

HÄNGELEUCHTEN

PENDANT LUMINAIRES
SUSPENSIONS

LINE40

HÄNGELEUCHTE | PENDANT LUMINAIRE | LUMINAIRE SUSPENSION



LED-Hängeleuchte direktstrahlend oder direkt-indirektstrahlend. Lichtkanal aus Aluminium-Strangpressprofil mit einer Breite von 41 mm. Fertigung der Leuchtenlänge millimetergenau auf Kundenwunsch möglich. Oberfläche der Leuchte feinstruktur matt pulverbeschichtet ähnlich RAL 9016 weiß, RAL 9006 silber oder RAL 9005 schwarz – auf Anfrage in RAL nach Wahl. Diffusor wahlweise in PMMA opal, PMMA opal U-Abdeckung oder PMMA klar mit eingeschobener mikroprismatischer Platte für eine reduzierte Leuchtdichte (UGR<19). Leuchte inkl. weißem, rechteckigem Baldachin mit transparentem Einspeisekabel sowie flexiblen Seilabhängern und Schnellspannern zur stufenlosen Regulierung der Montagehöhe. Der LED-Treiber ist im Leuchtgehäuse integriert – wahlweise als on/off oder DALI-Variante. Farbtemperaturen 2700K, 3000K, 4000K – Farbwiedergabe CRI>80 oder CRI>90 – Mac Adam ≤3. Weitere Steuerungsoptionen oder Lichtfarben auf Anfrage erhältlich. Außerdem ist die Integration vieler Komponenten, wie beispielsweise Notlicht oder Sensortechnologie, sowie eine Vielzahl weiterer Optionen möglich.

Pendant LED luminaire direct beam or direct-indirect beam. Light channel made of extruded aluminium profile with a width of 41 mm. Luminaire length can be manufactured to the exact millimetre on customer request. Surface of the luminaire fine structure matt powder coated similar to RAL 9016 white, RAL 9006 silver or RAL 9005 black - on request in RAL of choice. Diffuser either in PMMA opal, PMMA opal U-cover or PMMA clear with inserted microprismatic plate for reduced luminance (UGR<19). Luminaire incl. white, rectangular canopy with transparent feeding cable as well as flexible cord suspensions and quick-release clamps for continuous adjustment of mounting height. The LED driver is integrated in the luminaire housing - either as on/off or DALI version. Colour temperatures 2700K, 3000K, 4000K - colour rendering CRI>80 or CRI>90 - Mac Adam ≤3. Further control options or light colours available on request. In addition, the integration of many components, such as emergency lighting or sensor technology, as well as a variety of other options is possible.

Suspension LED à éclairage direct ou direct-indirect. Canal lumineux en profilé d'aluminium extrudé d'une largeur de 41 mm. Fabrication de la longueur du luminaire au millimètre près possible sur demande du client. Surface du luminaire à structure fine, revêtement par poudre mat similaire à RAL 9016 blanc, RAL 9006 argent ou RAL 9005 noir - sur demande en RAL au choix. Diffuseur au choix en PMMA opale, PMMA opale cache U ou PMMA transparent avec plaque microprismatique insérée pour un éblouissement réduit (UGR<19). Luminaire avec rosace rectangulaire blanche, câble d'alimentation transparent, câble flexibles et tendeurs rapides permettant de régler la hauteur en continu. Le pilote LED est intégré dans le boîtier du luminaire - au choix sous forme de variante on/off ou DALI. Températures de couleur 2700K, 3000K, 4000K - Rendu des couleurs CRI>80 ou CRI>90 - Mac Adam ≤3. Autres options de commande ou couleurs de lumière disponibles sur demande. En outre, l'intégration de nombreux composants, tels que l'éclairage de secours ou des capteurs, une multitude d'autres options sont possibles.

ÜBERSICHT | OVERVIEW | VUE D'ENSEMBLE

TECHNICAL DATA

2700K / 3000K / 4000K

CRI>80 / CRI>90

MacAdam ≤ 3

up to 143 lm/W, up to 6.241 lm/m

on-off / DALI

direct / direct + indirect

opal / opal-U / microprism (UGR <19)

LIFETIME

L80B10 50.000h

OPTIONS

emergency lighting

motion and day-light sensor

many more on demand



HOUSING COLOUR

schwarz | black | noir
RAL 9005



silber | silver | argent
RAL 9006



weiß | white | blanc
RAL 9016



RAL-Farbe nach Wahl auf Anfrage
RAL colour of your choice on demand
Couleur RAL de votre choix sur demande



HÄNGELEUCHTE „LINE40“
 PENDANT LUMINAIRE “LINE40”
 LUMINAIRE SUSPENSION « LINE40 »

Bestellbeispiel | Example order | Exemple de commande
 3.372 mm, CRI>90, 4000K, direct + indirect, low output on/off, black, microprism

LI40H - 339402 - LOBLM

1 2 3 4 5 6 7

1 LÄNGE
 LENGTH
 LONGEUR

| | |
|----------|-----------|
| 1.131 mm | 11 |
| 1.271 mm | 12 |
| 1.411 mm | 14 |
| 1.691 mm | 16 |
| 2.251 mm | 22 |
| 2.531 mm | 25 |
| 2.812 mm | 28 |
| 3.372 mm | 33 |
| 3.792 mm | 37 |

2 FARBWIEDERGABE
 COLOUR RENDERING
 RENDU DES COULEURS

| | |
|--------|----------|
| CRI>80 | 8 |
| CRI>90 | 9 |

3 FARBTEMPERATUR
 COLOUR TEMPERATURE
 TEMPÉRATURE DE COULEUR

| | |
|---------------------|-----------|
| 2700K (CRI>90 only) | 27 |
| 3000K | 30 |
| 4000K | 40 |

4 LICHTVERTEILUNG
 LIGHT DISTRIBUTION
 DISTRIBUTION DE LA LUMIÈRE

| | |
|-------------------|----------|
| direct | 1 |
| direct + indirect | 2 |

5 LEISTUNG & STEUERUNG
 OUTPUT & CONTROL
 SORTIE & CONTRÔLE

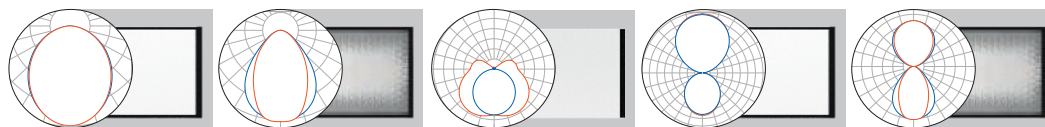
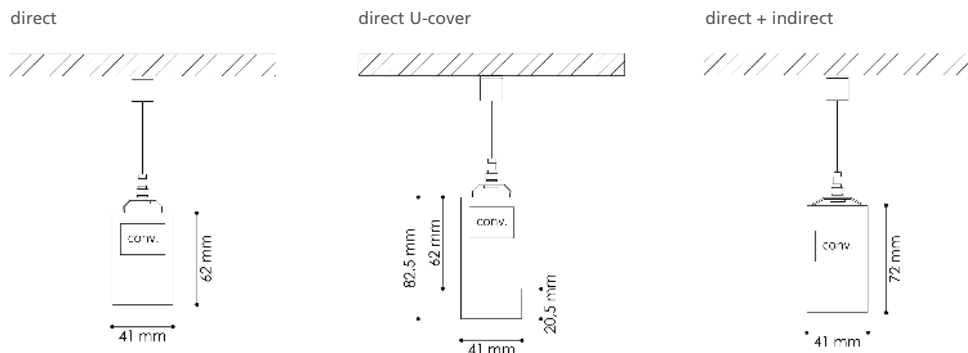
| | |
|--------------------|-----------|
| low output on/off | LO |
| low output DALI | LD |
| high output on/off | HO |
| high output DALI | HD |

6 GEHÄUSEFARBE
 HOUSING COLOUR
 COULEUR DU BOÎTIER

| | |
|----------------|-----------|
| silver RAL9006 | SI |
| white RAL9016 | WH |
| black RAL9005 | BL |

7 DIFFUSOR
 DIFFUSER
 DIFFUSEUR

| | |
|-----------------------|----------|
| opal | O |
| microprism | M |
| U-cover (direct only) | U |



| Size [mm] | opal direct | | microprism direct | | U-cover direct | | opal direct + indirect | | microprism direct + indirect | | direct | direct + indirect |
|-----------|-----------------------|------------------------|-----------------------|------------------------|-----------------------|------------------------|------------------------|------------------------|------------------------------|------------------------|--------|-------------------|
| | low output [lm] / [W] | high output [lm] / [W] | low output [lm] / [W] | high output [lm] / [W] | low output [lm] / [W] | high output [lm] / [W] | low output [lm] / [W] | high output [lm] / [W] | low output [lm] / [W] | high output [lm] / [W] | KG | KG |
| 1.131 | 1.514 / 15 | 2.879 / 29 | 1.514 / 15 | 3.005 / 29 | 1.570 / 15 | 2.984 / 29 | 3.535 / 26 | 6.846 / 55 | 3.527 / 26 | 6.866 / 55 | 2,6 | 3,7 |
| 1.271 | 1.704 / 17 | 3.238 / 33 | 1.703 / 17 | 3.381 / 33 | 1.767 / 17 | 3.357 / 33 | 3.977 / 29 | 7.702 / 63 | 3.968 / 29 | 7.724 / 63 | 2,8 | 3,9 |
| 1.411 | 1.893 / 18 | 3.599 / 35 | 1.892 / 18 | 3.757 / 35 | 1.962 / 18 | 3.730 / 35 | 4.419 / 32 | 8.557 / 68 | 4.408 / 32 | 8.582 / 68 | 3,5 | 4,2 |
| 1.691 | 2.272 / 20 | 4.318 / 40 | 2.271 / 20 | 4.508 / 40 | 2.355 / 20 | 4.476 / 40 | 5.303 / 38 | 10.268 / 82 | 5.289 / 38 | 10.298 / 82 | 4,0 | 4,9 |
| 2.251 | 3.028 / 27 | 5.756 / 53 | 3.028 / 27 | 6.010 / 53 | 3.140 / 27 | 5.968 / 53 | 7.070 / 50 | 13.692 / 105 | 7.054 / 50 | 13.732 / 105 | 5,0 | 6,0 |
| 2.531 | 3.408 / 30 | 6.475 / 60 | 3.406 / 30 | 6.762 / 60 | 3.534 / 30 | 6.714 / 60 | 7.954 / 56 | 15.404 / 119 | 7.936 / 56 | 15.448 / 119 | 5,2 | 6,2 |
| 2.812 | 3.786 / 35 | 7.198 / 70 | 3.784 / 35 | 7.514 / 70 | 3.924 / 35 | 7.460 / 70 | 8.838 / 64 | 17.114 / 136 | 8.816 / 64 | 17.164 / 136 | 6,0 | 8,0 |
| 3.372 | 4.544 / 41 | 8.636 / 81 | 4.542 / 41 | 9.016 / 81 | 4.710 / 41 | 8.952 / 81 | 10.606 / 77 | 20.536 / 163 | 10.578 / 77 | 20.596 / 163 | 7,6 | 9,3 |
| 3.792 | 5.112 / 46 | 9.715 / 91 | 5.110 / 46 | 10.143 / 91 | 5.299 / 46 | 10.071 / 91 | 11.932 / 87 | 23.103 / 184 | 11.900 / 87 | 23.140 / 184 | 9,1 | 11,3 |

Alle Lumenangaben für 4000K, CRI>80, Microprisma ohne Opalfolie
 All lumen values for 4000K, CRI>80, microprism without opal foil
 Toutes les données de lumens pour 4000K, CRI>80, microprisme sans feuille opale

LINE50

HÄNGELEUCHE | PENDANT LUMINAIRE | LUMINAIRE SUSPENSION



LED-Hängeleuchte direktstrahlend oder direkt-indirektstrahlend. Lichtkanal aus Aluminium-Strangpressprofil mit einer Breite von 50 mm. Fertigung der Leuchtenlänge millimetergenau auf Kundenwunsch möglich. Oberfläche der Leuchte feinstruktur matt pulverbeschichtet ähnlich RAL 9016 weiß, RAL 9006 silber oder RAL 9005 schwarz – auf Anfrage in RAL nach Wahl. Diffusor wahlweise in PMMA opal, PMMA klar mit eingeschobener asymmetrischer Folie oder PMMA klar mit eingeschobener mikroprismatischer Platte für eine reduzierte Leuchtdichte (UGR<19). Leuchte inkl. weißem, rechteckigem Baldachin mit transparentem Einspeisekabel sowie flexiblen Seilabhängern und Schnellspannern zur stufenlosen Regulierung der Montagehöhe. Der LED-Treiber ist im Leuchtgehäuse integriert – wahlweise als on/off oder DALI-Variante – Farbtemperaturen 2700K, 3000K, 4000K oder dynamisch Weiß (2700K-6500K) – Farbwiedergabe CRI>80 oder CRI>90 – Mac Adam ≤3. Weitere Steuerungsoptionen oder Lichtfarben auf Anfrage erhältlich. Außerdem ist die Integration vieler Komponenten, wie beispielsweise Notlicht oder Sensortechnologie, sowie eine Vielzahl weiterer Optionen möglich.

Pendant LED luminaire direct beam or direct-indirect beam. Light channel made of extruded aluminium profile with a width of 50 mm. Luminaire length can be manufactured to the exact millimetre on customer request. Surface of the luminaire fine structure matt powder coated similar to RAL 9016 white, RAL 9006 silver or RAL 9005 black - on request in RAL of choice. Diffuser either in PMMA opal, PMMA clear with inserted asymmetric foil or PMMA clear with inserted microprismatic plate for reduced luminance (UGR<19). Luminaire incl. white, rectangular canopy with transparent feeding cable as well as flexible cord suspensions and quick-release clamps for continuous adjustment of mounting height. The LED driver is integrated in the luminaire housing - either as on/off or DALI version - colour temperatures 2700K, 3000K, 4000K or dynamic white (2700K-6500K) - colour rendering CRI>80 or CRI>90 - Mac Adam ≤3. Further control options or light colours available on request. In addition, the integration of many components, such as emergency lighting or sensor technology, as well as a variety of other options is possible.

Suspension LED à éclairage direct ou direct-indirect. Canal lumineux en profilé d'aluminium extrudé d'une largeur de 50 mm. Fabrication de la longueur du luminaire au millimètre près possible sur demande du client. Surface du luminaire à structure fine, revêtement par poudre mat similaire à RAL 9016 blanc, RAL 9006 argent ou RAL 9005 noir - sur demande en RAL au choix. Diffuseur au choix en PMMA opale, PMMA transparent avec feuille asymétrique insérée ou PMMA transparent avec plaque microprismatique insérée pour un éblouissement réduit (UGR<19). Luminaire comprenant un abat-jour rectangulaire blanc avec câble d'alimentation transparent ainsi que des câbles flexibles et des tenisseurs rapides permettant de régler la hauteur de montage en continu. Le pilote LED est intégré dans le boîtier du luminaire - au choix sous forme de variante on/off ou DALI - températures de couleur 2700K, 3000K, 4000K ou blanc dynamique (2700K-6500K) - rendu des couleurs CRI>80 ou CRI>90 - Mac Adam ≤3. Autres options de commande ou couleurs de lumière disponibles sur demande. En outre, l'intégration de nombreux composants, tels que l'éclairage de secours ou la technologie de détection, une multitude d'autres options sont possibles.

ÜBERSICHT | OVERVIEW | VUE D'ENSEMBLE

TECHNICAL DATA

2700K / 3000K / 4000K / 2700-6500K

CRI>80 / CRI>90

MacAdam ≤ 3

up to 141 lm/W, up to 6.268 lm/m

on-off / DALI

direct / direct + indirect

opal / microprism (UGR <19) / asymmetric

HOUSING COLOUR

schwarz | black | noir
RAL 9005



silber | silver | argent
RAL 9006



weiß | white | blanc
RAL 9016



RAL-Farbe nach Wahl auf Anfrage
RAL colour of your choice on demand
Couleur RAL de votre choix sur demande



LIFETIME

L80B10 50.000h

OPTIONS

emergency lighting

motion and day-light sensor

many more on demand



>80



>90



IP20



DALI



≤3



>50.000 h

HÄNGELEUCHTE „LINE50“
 PENDANT LUMINAIRE “LINE50”
 LUMINAIRE SUSPENSION « LINE50 »

Bestellbeispiel | Example order | Exemple de commande
 3.134 mm, CRI>90, 4000K, direct + indirect, low output on/off, black, microprism

LI50H - 319402 - LOBLM

1 2 3 4 5 6 7

| 1 LÄNGE LENGTH LONGEUR | |
|------------------------------|----|
| 1.212 mm | 12 |
| 1.452 mm | 14 |
| 1.692 mm | 16 |
| 1.932 mm | 19 |
| 2.172 mm | 21 |
| 2.412 mm | 24 |
| 2.892 mm | 28 |
| 3.132 mm | 31 |
| 3.854 mm | 38 |

| 2 FARBWIEDERGABE COLOUR RENDERING RENDU DES COULEURS | |
|--|---|
| CRI>80 | 8 |
| CRI>90 | 9 |

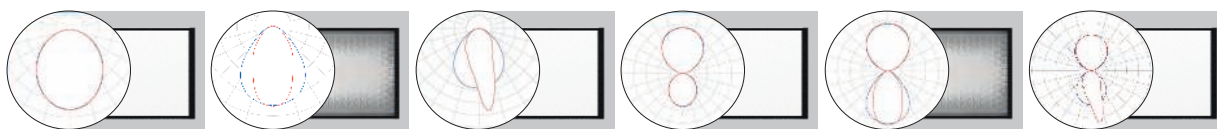
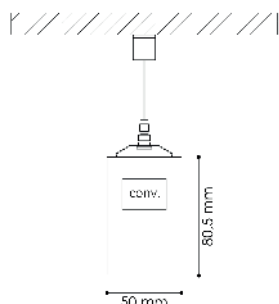
| 3 FARBTEMPERATUR COLOUR TEMPERATURE TEMPÉRATURE DE COULEUR | |
|--|----|
| 2700K (CRI>90 only) | 27 |
| 3000K | 30 |
| 4000K | 40 |
| 2700-6500K (CRI>90 only) | DW |

| 4 LICHTVERTEILUNG LIGHT DISTRIBUTION DISTRIBUTION DE LA LUMIÈRE | |
|---|---|
| direct | 1 |
| direct + indirect | 2 |

| 5 LEISTUNG & STEUERUNG OUTPUT & CONTROL SORTIE & CONTRÔLE | |
|---|----|
| low output on/off | LO |
| low output DALI | LD |
| high output on/off | HO |
| high output DALI | HD |
| dynamic white DALI DT8 | DW |

| 6 GEHÄUSEFARBE HOUSING COLOUR COULEUR DU BOÎTIER | |
|--|----|
| silver RAL9006 | SI |
| white RAL9016 | WH |
| black RAL9005 | BL |

| 7 DIFFUSOR DIFFUSER DIFFUSEUR | |
|-------------------------------------|---|
| opal | O |
| microprism | M |
| asymmetric | A |

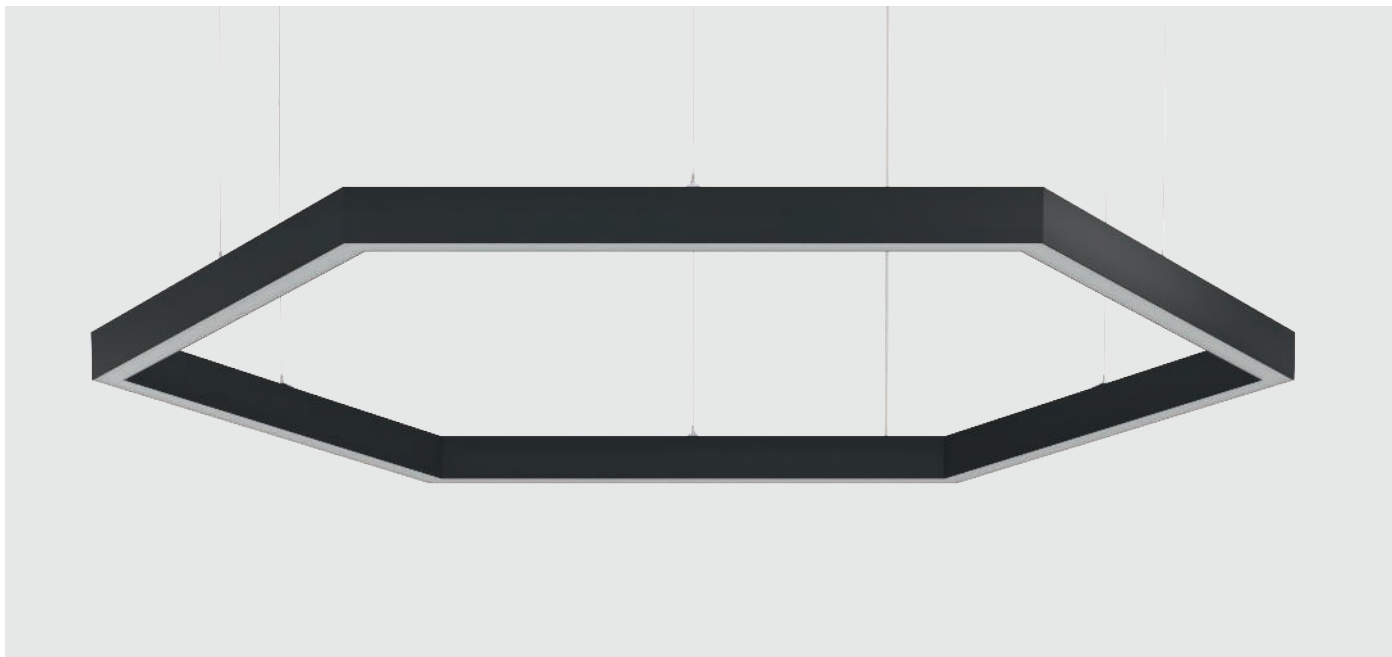


| Size [mm] | opal direct | | microprism direct | | asymmetric direct | | opal direct + indirect | | microprism direct + indirect | | asymmetric direct + indirect | | direct KG | direct+indirect KG |
|-----------|-----------------------|------------------------|-----------------------|------------------------|-----------------------|------------------------|------------------------|------------------------|------------------------------|------------------------|------------------------------|------------------------|--------------|-----------------------|
| | low output [lm] / [W] | high output [lm] / [W] | low output [lm] / [W] | high output [lm] / [W] | low output [lm] / [W] | high output [lm] / [W] | low output [lm] / [W] | high output [lm] / [W] | low output [lm] / [W] | high output [lm] / [W] | low output [lm] / [W] | high output [lm] / [W] | | |
| 1.212 | 1.731 / 16,3 | 3.298 / 30 | 1.652 / 16,3 | 3.162 / 30 | 1.735 / 16,3 | 3.320 / 30 | 3.924 / 29,1 | 7.522 / 57 | 3.845 / 29,1 | 7.336 / 57 | 4.037 / 29,1 | 7.702 / 57 | 2,9 | 3,6 |
| 1.452 | 2.078 / 18,5 | 3.958 / 35,8 | 1.982 / 18,5 | 3.794 / 35,8 | 2.081 / 18,5 | 3.984 / 35,8 | 4.709 / 34,5 | 9.026 / 68 | 4.615 / 34,5 | 8.803 / 68 | 4.846 / 34,5 | 9.243 / 68 | 3,5 | 4,4 |
| 1.692 | 2.425 / 21,2 | 4.617 / 41,1 | 2.313 / 21,2 | 4.427 / 41,1 | 2.429 / 21,2 | 4.648 / 41,1 | 5.494 / 39,5 | 10.531 / 81 | 5.384 / 39,5 | 10.270 / 81 | 5.653 / 39,5 | 10.783 / 81 | 4,1 | 5,1 |
| 1.932 | 2.772 / 23,7 | 5.277 / 46,3 | 2.642 / 23,7 | 5.059 / 46,3 | 2.774 / 23,7 | 5.312 / 46,3 | 6.278 / 44,6 | 12.035 / 92 | 6.154 / 44,6 | 11.738 / 92 | 6.462 / 44,6 | 12.325 / 92 | 4,6 | 5,8 |
| 2.172 | 3.117 / 26,6 | 5.936 / 52 | 2.974 / 26,6 | 5.692 / 52 | 3.123 / 26,6 | 5.977 / 52 | 7.063 / 49,9 | 13.540 / 103 | 6.923 / 49,9 | 13.205 / 103 | 7.269 / 49,9 | 13.865 / 103 | 5,2 | 6,5 |
| 2.412 | 3.462 / 29,2 | 6.596 / 57 | 3.304 / 29,2 | 6.324 / 57 | 3.469 / 29,2 | 6.640 / 57 | 7.848 / 56 | 15.044 / 113 | 7.690 / 56 | 14.672 / 113 | 8.074 / 56 | 15.405 / 113 | 5,8 | 7,2 |
| 2.892 | 4.156 / 34,3 | 7.915 / 70 | 3.964 / 34,3 | 7.589 / 70 | 4.162 / 34,3 | 7.968 / 70 | 9.418 / 67 | 18.053 / 135 | 9.230 / 67 | 17.606 / 135 | 9.691 / 67 | 18.486 / 135 | 7 | 8,7 |
| 3.132 | 4.503 / 36,9 | 8.575 / 76 | 4.295 / 36,9 | 8.221 / 76 | 4.510 / 36,9 | 8.632 / 76 | 10.202 / 72 | 19.557 / 145 | 9.999 / 72 | 19.074 / 145 | 10.499 / 72 | 20.027 / 145 | 7,5 | 9,4 |
| 3.854 | 5.544 / 47,4 | 10.554 / 93 | 5.284 / 47,4 | 10.118 / 93 | 5.548 / 47,4 | 10.624 / 93 | 12.556 / 89 | 24.070 / 183 | 12.308 / 89 | 23.476 / 183 | 12.923 / 89 | 24.649 / 183 | 9,3 | 11,7 |

Alle Lumenangaben für 4000K, CRI>80, Microprisma ohne Opalfolie
 All lumen values for 4000K, CRI>80, microprism without opal foil
 Toutes les données de lumens pour 4000K, CRI>80, microprisme sans feuille opale

LINE50hex

HÄNGELEUCHTE | PENDANT LUMINAIRE | LUMINAIRE SUSPENSION



LED-Hängeleuchte direktstrahlend oder direkt-indirektstrahlend. Lichtkanal aus Aluminium-Strangpressprofil mit einer Breite von 50 mm. Leuchte in hexagonaler Form mit verschweißten Ecken – Lieferung der drei Standardgrößen komplett in einem Stück (DM 1306 mm), in zwei Teilen (DM 2028 mm) bzw. sechs gleich großen Teilen (DM 2988 mm). Oberfläche der Leuchte feinstruktur matt pulverbeschichtet ähnlich RAL 9016 weiß, RAL 9006 silber oder RAL 9005 schwarz – auf Anfrage in RAL nach Wahl. Diffusor wahlweise in PMMA opal oder PMMA klar mit eingeschobener mikroprismatischer Platte für eine reduzierte Leuchtdichte (UGR<19). Leuchte inkl. weißem, rechteckigem Baldachin mit transparentem Einspeisekabel sowie flexiblen Seilabhängern und Schnellspannern zur stufenlosen Regulierung der Montagehöhe. Der LED-Treiber ist im Leuchtgehäuse integriert – wahlweise als on/off oder DALI-Variante. Farbtemperaturen 2700K, 3000K, 4000K oder dynamisch Weiß (2700K–6500K) – Farbwiedergabe CRI>80 oder CRI>90 – Mac Adam ≤3. Weitere Steuerungsoptionen oder Lichtfarben auf Anfrage erhältlich. Außerdem ist die Integration vieler Komponenten, wie beispielsweise Notlicht oder Sensortechnologie, sowie eine Vielzahl weiterer Optionen möglich.

Pendant LED luminaire direct beam or direct-indirect beam. Light channel made of extruded aluminium profile with a width of 50 mm. Luminaire in hexagonal form with welded corners - delivery of the three standard sizes in one piece (DM 1306 mm), in two pieces (DM 2028 mm) or six equally sized pieces (DM 2988 mm). Surface of the luminaire fine structure matt powder coated similar to RAL 9016 white, RAL 9006 silver or RAL 9005 black - on request in RAL of choice. Diffuser either in PMMA opal or PMMA clear with inserted microprismatic plate for reduced luminance (UGR<19). Luminaire incl. white, rectangular canopy with transparent feeding cable as well as flexible cord suspensions and quick-release clamps for continuous adjustment of mounting height. The LED driver is integrated in the luminaire housing - either as on/off or DALI version. Colour temperatures 2700K, 3000K, 4000K or dynamic white (2700K-6500K) - colour rendering CRI>80 or CRI>90 - Mac Adam ≤3. Further control options or light colours available on request. In addition, the integration of many components, such as emergency lighting or sensor technology, as well as a variety of other options is possible.

Suspension LED à éclairage direct ou direct-indirect. Canal lumineux en profilé d'aluminium extrudé d'une largeur de 50 mm. Luminaire de forme hexagonale avec coins soudés - livraison des trois tailles standard complètes en une pièce (DM 1306 mm), en deux pièces (DM 2028 mm) ou en six pièces de taille identique (DM 2988 mm). Surface du luminaire à structure fine matte revêtue par poudre similaire à RAL 9016 blanc, RAL 9006 argent ou RAL 9005 noir - sur demande en RAL au choix. Diffuseur au choix en PMMA opale ou en PMMA transparent avec plaque microprismatique insérée pour un éblouissement réduit (UGR<19). Luminaire rectangulaire blanc avec câble d'alimentation transparent ainsi que des câbles flexibles et des tendeurs rapides permettant de régler la hauteur de montage en continu. Le pilote LED est intégré dans le boîtier du luminaire - au choix sous forme de variante on/off ou DALI. Températures de couleur 2700K, 3000K, 4000K ou blanc dynamique (2700K-6500K) - Rendu des couleurs CRI>80 ou CRI>90 - Mac Adam ≤3. Autres options de commande ou couleurs de lumière disponibles sur demande. En outre, l'intégration de nombreux composants, tels que l'éclairage de secours ou la technologie des capteurs, une multitude d'autres options sont possibles.

ÜBERSICHT | OVERVIEW | VUE D'ENSEMBLE

TECHNICAL DATA

2700K / 3000K / 4000K / 2700-6500K

CRI>80 / CRI>90

MacAdam ≤ 3

up to 141 lm/W, up to 6.268 lm/m

on-off / DALI

direct / direct + indirect

opal / microprism (UGR <19)

HOUSING COLOUR

schwarz | black | noir
RAL 9005



silber | silver | argent
RAL 9006



weiß | white | blanc
RAL 9016



RAL-Farbe nach Wahl auf Anfrage

RAL colour of your choice on demand

Couleur RAL de votre choix sur demande



LIFETIME

L80B10 50.000h

OPTIONS

emergency lighting

motion and day-light sensor

many more on demand



>80

>90

IP20

DALI

≤3

>50.000 h

HÄNGELEUCHTE „LINE50hex“
 PENDANT LUMINAIRE “LINE50hex”
 LUMINAIRE SUSPENSION « LINE50hex »

Bestellbeispiel | Example order | Exemple de commande
 2.988 mm, CRI>90, 4000K, direct + indirect, low output on/off, black, microprism

LH50H - 299402 - LOBLM

1 2 3 4 5 6 7

1 GRÖSSE
 SIZE
 TAILLE

| | |
|----------|-----------|
| 1.306 mm | 13 |
| 2.028 mm | 20 |
| 2.988 mm | 29 |

2 FARBWIEDERGABE
 COLOUR RENDERING
 RENDU DES COULEURS

| | |
|--------|----------|
| CRI>80 | 8 |
| CRI>90 | 9 |

3 FARBTEMPERATUR
 COLOUR TEMPERATURE
 TEMPÉRATURE DE COULEUR

| | |
|--------------------------|-----------|
| 2700K (CRI>90 only) | 27 |
| 3000K | 30 |
| 4000K | 40 |
| 2700-6500K (CRI>90 only) | DW |

4 LICHTVERTEILUNG
 LIGHT DISTRIBUTION
 DISTRIBUTION DE LA LUMIÈRE

| | |
|-------------------|----------|
| direct | 1 |
| direct + indirect | 2 |

5 LEISTUNG & STEUERUNG
 OUTPUT & CONTROL
 SORTIE & CONTRÔLE

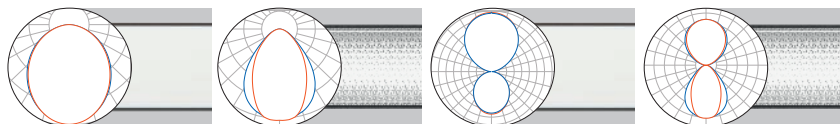
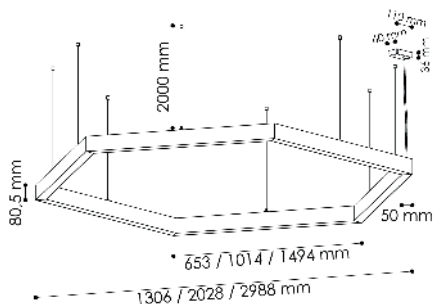
| | |
|------------------------|-----------|
| low output on/off | LO |
| low output DALI | LD |
| high output on/off | HO |
| high output DALI | HD |
| dynamic white DALI DT8 | DW |

6 GEHÄUSEFARBE
 HOUSING COLOUR
 COULEUR DU BOÎTIER

| | |
|----------------|-----------|
| silver RAL9006 | SI |
| white RAL9016 | WH |
| black RAL9005 | BL |

7 DIFFUSOR
 DIFFUSER
 DIFFUSEUR

| | |
|------------|----------|
| opal | O |
| microprism | M |

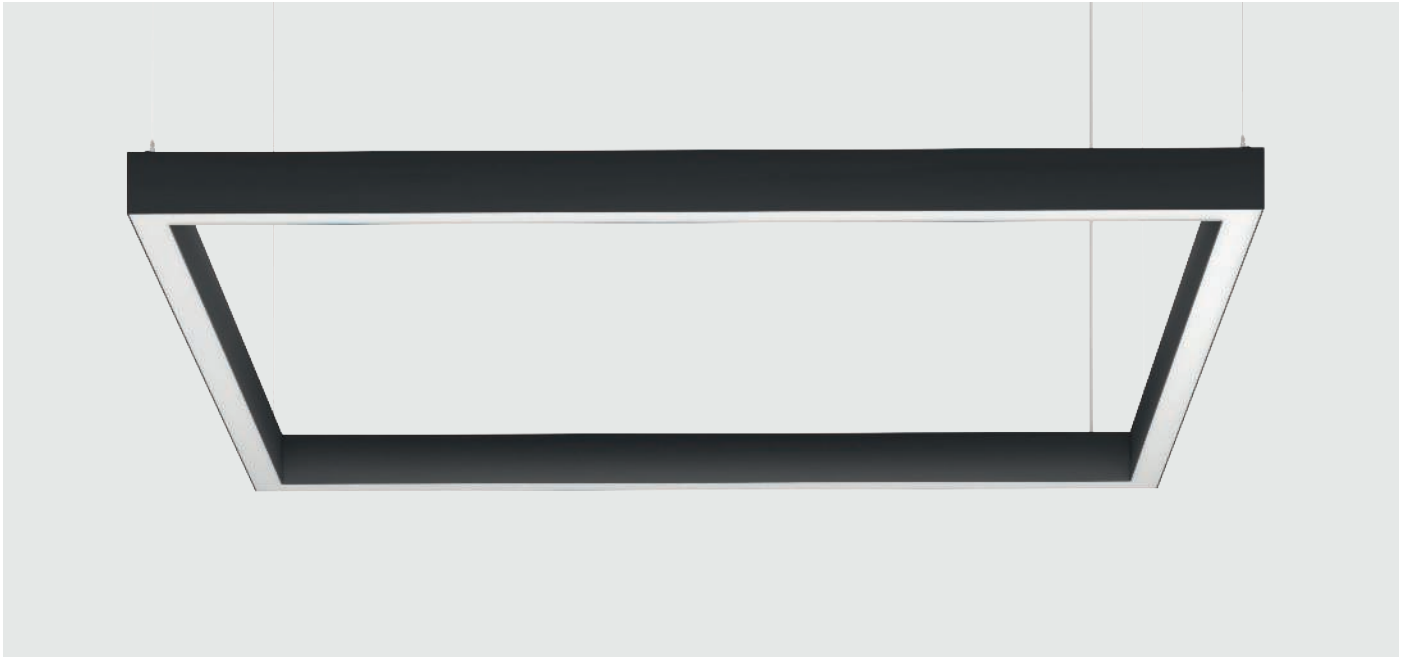


| Size [mm] | opal direct | | microprism direct | | opal direct + indirect | | microprism direct + indirect | | direct | direct + indirect |
|-----------|-----------------------|------------------------|-----------------------|------------------------|------------------------|------------------------|------------------------------|------------------------|--------|-------------------|
| | low output [lm] / [W] | high output [lm] / [W] | low output [lm] / [W] | high output [lm] / [W] | low output [lm] / [W] | high output [lm] / [W] | low output [lm] / [W] | high output [lm] / [W] | KG | KG |
| 1.306 | 5.196 / 44,9 | 9.894 / 87,7 | 4.956 / 44,9 | 9.486 / 87,7 | 11.772 / 89,8 | 22.566 / 175,4 | 11.538 / 89,8 | 22.008 / 175,4 | 9,0 | 10,8 |
| 2.028 | 8.316 / 67 | 15.828 / 134,8 | 7.926 / 67 | 15.180 / 134,8 | 18.834 / 130,6 | 36.108 / 266,2 | 18.462 / 130,6 | 35.214 / 266,2 | 14,0 | 18,0 |
| 2.988 | 12.468 / 99,8 | 23.748 / 206 | 11.892 / 99,8 | 22.764 / 206 | 28.254 / 195,9 | 54.156 / 399,3 | 27.690 / 195,9 | 52.818 / 399,3 | 21,0 | 26,4 |

Alle Lumenangaben für 4000K, CRI>80, Microprisma ohne Opalfolie
 All lumen values for 4000K, CRI>80, microprism without opal foil
 Toutes les données de lumens pour 4000K, CRI>80, microprisme sans feuille opale

LINE50quad

HÄNGELEUCHTE | PENDANT LUMINAIRE | LUMINAIRE SUSPENSION



LED-Hängeleuchte direktstrahlend oder direkt-indirektstrahlend. Lichtkanal aus Aluminium-Strangpressprofil mit einer Breite von 50 mm. Leuchte in quadratischer Form mit verschweißten Ecken – Lieferung der drei Standardgrößen komplett in einem Stück (660, 1020 mm) bzw. in zwei Teilen (1500 mm). Oberfläche der Leuchte feinstruktur matt pulverbeschichtet ähnlich RAL 9016 weiß, RAL 9006 silber oder RAL 9005 schwarz – auf Anfrage in RAL nach Wahl. Diffusor wahlweise in PMMA opal oder PMMA klar mit eingeschobener mikroprismatischer Platte für eine reduzierte Leuchtdichte (UGR<19). Leuchte inkl. weißem, rechteckigem Baldachin mit transparentem Einspeisekabel sowie flexiblen Seilabhängern und Schnellspannern zur stufenlosen Regulierung der Montagehöhe. Der LED-Treiber ist im Leuchtgehäuse integriert – wahlweise als on/off oder DALI-Variante – Farbtemperaturen 2700K, 3000K, 4000K oder dynamisch Weiß (2700K–6500K) – Farbwiedergabe CRI>80 oder CRI>90 – Mac Adam ≤3. Weitere Steuerungsoptionen oder Lichtfarben auf Anfrage erhältlich. Außerdem ist die Integration vieler Komponenten, wie beispielsweise Notlicht oder Sensortechnologie, sowie eine Vielzahl weiterer Optionen möglich.

Pendant LED luminaire direct beam or direct-indirect beam. Light channel made of extruded aluminium profile with a width of 50 mm. Luminaire in square shape with welded corners - delivery of the three standard sizes in one piece (660, 1020 mm) or in two pieces (1500 mm). Surface of the luminaire fine structure matt powder coated similar to RAL 9016 white, RAL 9006 silver or RAL 9005 black - on request in RAL of choice. Diffuser either in PMMA opal or PMMA clear with inserted microprismatic plate for reduced luminance (UGR<19). Luminaire incl. white, rectangular canopy with transparent feeding cable as well as flexible wire suspensions and quick-release fasteners for stepless adjustment of mounting height. The LED driver is integrated in the luminaire housing - either as on/off or DALI version - colour temperatures 2700K, 3000K, 4000K or dynamic white (2700K-6500K) - colour rendering CRI>80 or CRI>90 - Mac Adam ≤3. Further control options or light colours available on request. In addition, the integration of many components, such as emergency lighting or sensor technology, as well as a variety of other options is possible.

Suspension LED à éclairage direct ou direct-indirect. Canal lumineux en profilé d'aluminium extrudé d'une largeur de 50 mm. Luminaire de forme carrée avec coins soudés - livraison des trois tailles standard complètes en une pièce (660, 1020 mm) ou en deux pièces (1500 mm). Surface du luminaire à structure entièrement en une seule pièce. Surface du luminaire à structure fine matte revêtue par poudre similaire à RAL 9016 blanc, RAL 9006 argent ou RAL 9005 noir - sur demande en RAL au choix. Diffuseur au choix en PMMA opale ou en PMMA transparent avec plaque microprismatique insérée pour un éblouissement réduit (UGR<19). Luminaire avec rosace rectangulaire blanche, câble d'alimentation transparent, de câble flexibles et tendeurs rapides permettant de régler la hauteur de montage en continu. Le pilote LED est intégré dans le boîtier du luminaire - au choix sous forme de variante on/off ou DALI - températures de couleur 2700K, 3000K, 4000K ou blanc dynamique (2700K-6500K) - rendu des couleurs CRI>80 ou CRI>90 - Mac Adam ≤3. Autres options de commande ou couleurs de lumière disponibles sur demande. En outre, l'intégration de nombreux composants, tels que l'éclairage de secours ou la technologie des capteurs, une multitude d'autres options sont possibles.

ÜBERSICHT | OVERVIEW | VUE D'ENSEMBLE

TECHNICAL DATA

2700K / 3000K / 4000K / 2700-6500K

CRI>80 / CRI>90

MacAdam ≤ 3

up to 141 lm/W, up to 6.268 lm/m

on-off / DALI

direct / direct + indirect

opal / microprism (UGR <19)

HOUSING COLOUR

schwarz | black | noir
RAL 9005

silber | silver | argent
RAL 9006

weiß | white | blanc
RAL 9016

RAL-Farbe nach Wahl auf Anfrage
RAL colour of your choice on demand
Couleur RAL de votre choix sur demande

LIFETIME

L80B10 50.000h

OPTIONS

emergency lighting

motion and day-light sensor

many more on demand



>80

>90

IP20

DALI

≤3

>50.000 h

HÄNGELEUCHTE „LINE50quad“
 PENDANT LUMINAIRE “LINE50quad”
 LUMINAIRE SUSPENSION « LINE50quad »

Bestellbeispiel | Example order | Exemple de commande
 660 x 660 mm, CRI>90, 4000K, direct + indirect, low output on/off, black, microprism

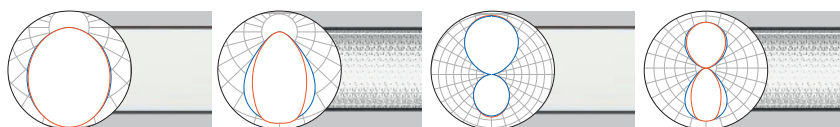
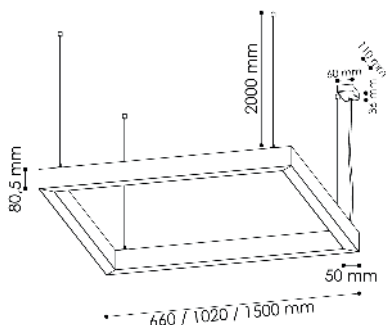
LQ50H - 069402 - LOBLM

1 2 3 4 5 6 7

| | | |
|----------|---|-----------|
| 1 | GRÖSSE SIZE TAILLE | |
| | 660 x 660 mm | 06 |
| | 1.020 x 1.020 mm | 10 |
| | 1.500 x 1.500 mm | 15 |
| 2 | FARBWIEDERGABE COLOUR RENDERING RENDU DES COULEURS | |
| | CRI>80 | 8 |
| | CRI>90 | 9 |
| 3 | FARBTEMPERATUR COLOUR TEMPERATURE TEMPÉRATURE DE COULEUR | |
| | 2700K (CRI>90 only) | 27 |
| | 3000K | 30 |
| | 4000K | 40 |
| | 2700-6500K (CRI>90 only) | DW |

| | | |
|----------|--|-----------|
| 4 | LICHTVERTEILUNG LIGHT DISTRIBUTION DISTRIBUTION DE LA LUMIÈRE | |
| | direct | 1 |
| | direct + indirect | 2 |
| 5 | LEISTUNG & STEUERUNG OUTPUT & CONTROL SORTIE & CONTRÔLE | |
| | low output on/off | LO |
| | low output DALI | LD |
| | high output on/off | HO |
| | high output DALI | HD |
| | dynamic white DALI DT8 | DW |

| | | |
|----------|---|-----------|
| 6 | GEHÄUSEFARBE HOUSING COLOUR COULEUR DU BOÎTIER | |
| | silver RAL9006 | SI |
| | white RAL9016 | WH |
| | black RAL9005 | BL |
| 7 | DIFFUSOR DIFFUSER DIFFUSEUR | |
| | opal | O |
| | microprism | M |

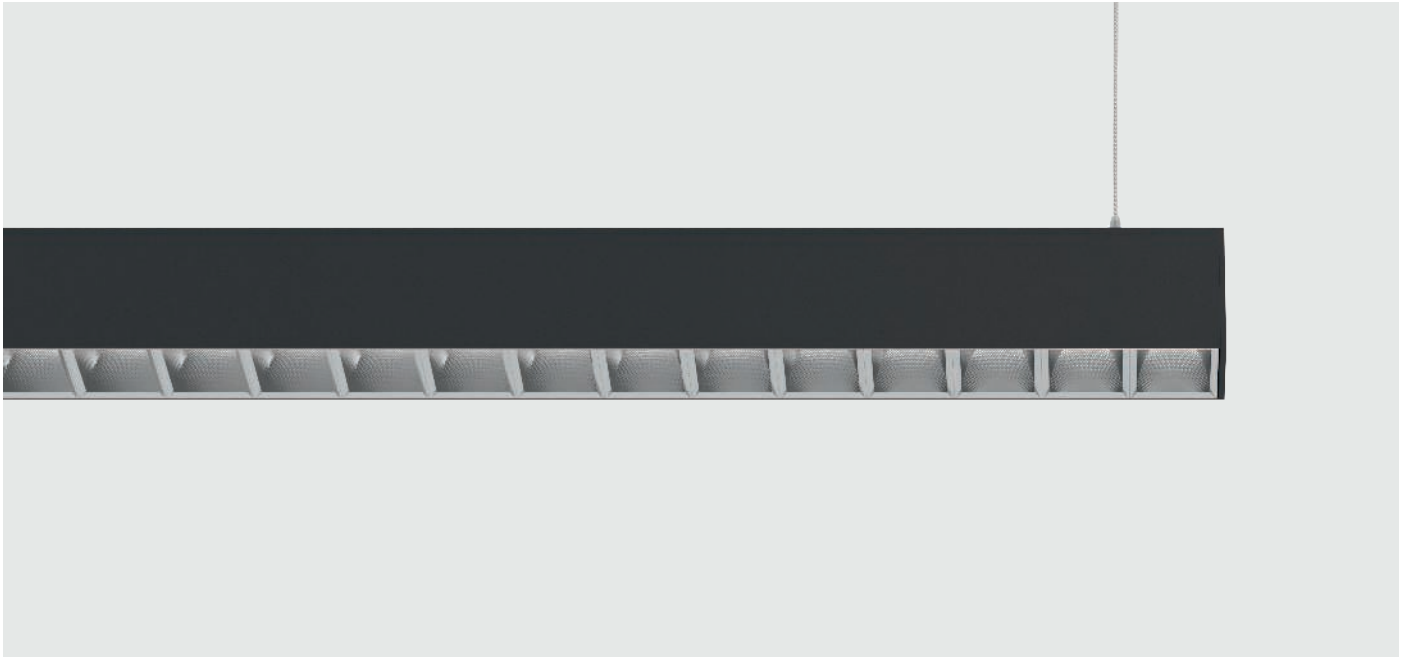


| Size [mm] | opal direct | | microprism direct | | opal direct + indirect | | microprism direct + indirect | | direct | direct + indirect |
|-----------|-----------------------|------------------------|-----------------------|------------------------|------------------------|------------------------|------------------------------|------------------------|--------|-------------------|
| | low output [lm] / [W] | high output [lm] / [W] | low output [lm] / [W] | high output [lm] / [W] | low output [lm] / [W] | high output [lm] / [W] | low output [lm] / [W] | high output [lm] / [W] | KG | KG |
| □ 660 | 3.464 / 29,1 | 6.596 / 57,2 | 3.304 / 29,1 | 6.324 / 57,2 | 7.848 / 54,3 | 15.044 / 111,4 | 7.692 / 54,3 | 14.672 / 111,4 | 6,0 | 7,2 |
| □ 1.020 | 5.544 / 44,6 | 10.552 / 91,7 | 5.284 / 44,6 | 10.120 / 91,7 | 12.556 / 85,8 | 24.072 / 180 | 12.308 / 85,8 | 23.476 / 180 | 9,2 | 12,0 |
| □ 1.500 | 8.312 / 67 | 15.832 / 134,8 | 7.928 / 67 | 15.176 / 134,8 | 18.836 / 130,6 | 36.104 / 266,2 | 18.460 / 130,6 | 35.212 / 266,2 | 14,0 | 17,6 |

Alle Lumenangaben für 4000K, CRI>80, Microprisma ohne Opalfolie
 All lumen values for 4000K, CRI>80, microprism without opal foil
 Toutes les données de lumens pour 4000K, CRI>80, microprisme sans feuille opale

officeLINE50

HÄNGELEUCHTE | PENDANT LUMINAIRE | LUMINAIRE SUSPENSION



LED-Hängeleuchte direktstrahlend oder direkt-indirektstrahlend. Lichtkanal aus Aluminium-Strangpressprofil mit einer Breite von 50 mm. Fertigung der Leuchtenlänge millimetergenau auf Kundenwunsch möglich. Oberfläche der Leuchte feinstruktur matt pulverbeschichtet ähnlich RAL 9016 weiß, RAL 9006 silber oder RAL 9005 schwarz – auf Anfrage in RAL nach Wahl. Die Leuchte ist ausgestattet mit einem hochwertigen, facettierten BAP-Raster mit einer Auswahl an sieben verschiedenen Farben – Oberfläche hochglänzend bzw. matt. Leuchte inkl. weißem, rechteckigem Baldachin mit transparentem Einspeisekabel sowie flexiblen Seilabhängern und Schnellspannern zur stufenlosen Regulierung der Montagehöhe. Der LED-Treiber ist im Leuchtgehäuse integriert – wahlweise als on/off oder DALI-Variante. Farbtemperaturen 2700K, 3000K, 4000K oder dynamisch Weiß (2700K–6500K) – Farbwiedergabe CRI>80 oder CRI>90 – Mac Adam ≤3. Weitere Steuerungsoptionen oder Lichtfarben auf Anfrage erhältlich. Außerdem ist die Integration vieler Komponenten, wie beispielsweise Notlicht oder Sensortechnologie, sowie eine Vielzahl weiterer Optionen möglich.

Pendant LED luminaire with direct beam or direct-indirect beam. Light channel made of extruded aluminium profile with a width of 50 mm. Luminaire length can be manufactured to the exact millimetre on customer request. Surface of the luminaire fine structure matt powder coated similar to RAL 9016 white, RAL 9006 silver or RAL 9005 black - on request in RAL of choice. The luminaire is equipped with a high-quality, faceted BAP louvre with a choice of seven different colours - surface specular or matt. Luminaire incl. white, rectangular canopy with transparent feeding cable as well as flexible wire suspension and quick-release clamps for continuous adjustment of mounting height. The LED driver is integrated in the luminaire housing - either as on/off or DALI version. Colour temperatures 2700K, 3000K, 4000K or dynamic white (2700K-6500K) - colour rendering CRI>80 or CRI>90 - Mac Adam ≤3. Further control options or light colours available on request. In addition, the integration of many components, such as emergency lighting or sensor technology, as well as a variety of other options is possible.

Suspension LED à éclairage direct ou direct-indirect. Canal lumineux en profilé d'aluminium extrudé d'une largeur de 50 mm. Fabrication de la longueur du luminaire au millimètre près possible sur demande du client. Surface du luminaire à structure fine, revêtement par poudre mat similaire à RAL 9016 blanc, RAL 9006 argent ou RAL 9005 noir - sur demande en RAL au choix. Le luminaire est équipé d'une grille BAP à facettes de haute qualité avec un choix de sept couleurs différentes - surface brillante ou mate. Le luminaire rectangulaire blanc avec un câble d'alimentation transparent ainsi que des câbles flexibles et des fixations rapides permettant de régler la hauteur de montage en continu. Le pilote LED est intégré dans le boîtier du luminaire - au choix sous forme de variante on/off ou DALI. Températures de couleur 2700K, 3000K, 4000K ou blanc dynamique (2700K-6500K) - Rendu des couleurs CRI>80 ou CRI>90 - Mac Adam ≤3. Autres options de commande ou couleurs de lumière disponibles sur demande. En outre, l'intégration de nombreux composants, tels que l'éclairage de secours ou la technologie de détection, une multitude d'autres options sont possibles.

ÜBERSICHT | OVERVIEW | VUE D'ENSEMBLE

TECHNICAL DATA

2700K / 3000K / 4000K / 2700-6500K

CRI>80 / CRI>90

MacAdam ≤ 3

up to 162 lm/W, up to 7.543 lm/m

on-off / DALI

direct / direct + indirect

BAP-Louvre (UGR <19)

LIFETIME

L80B10 50.000h

OPTIONS

emergency lighting

motion and day-light sensor

many more on demand



HOUSING COLOUR

schwarz | black | noir
RAL 9005



silber | silver | argent
RAL 9006



weiß | white | blanc
RAL 9016



RAL-Farbe nach Wahl auf Anfrage
RAL colour of your choice on demand
Couleur RAL de votre choix sur demande



BAP LOUVRE COLOUR

silber hochglanz | silver specular | argenté brillant



gold hochglanz | gold specular | doré brillant



silber matt | silver matt | argenté mat



bronze hochglanz | bronze specular | bronze brillant



schwarz hochglanz | black specular | noir brillant



titan hochglanz | titan specular | titan brillant



schwarz matt | black matt | noir mat



HÄNGELEUCHTE „officeLINE50“
 PENDANT LUMINAIRE “officeLINE50”
 LUMINAIRE SUSPENSION « officeLINE50 »

Bestellbeispiel | Example order | Exemple de commande
 3.370 mm, CRI>90, 4000K, direct + indirect, low output on/off, black, gold specular

OL50H - 319402 - LOBLG

1 2 3 4 5 6 7

1 LÄNGE
 LENGTH
 LONGEUR

| | |
|----------|-----------|
| 1.209 mm | 12 |
| 1.449 mm | 14 |
| 1.689 mm | 16 |
| 2.169 mm | 21 |
| 2.889 mm | 28 |
| 3.370 mm | 33 |

2 FARBWIEDERGABE
 COLOUR RENDERING
 RENDU DES COULEURS

| | |
|--------|----------|
| CRI>80 | 8 |
| CRI>90 | 9 |

3 FARBTTEMPERATUR
 COLOUR TEMPERATURE
 TEMPÉRATURE DE COULEUR

| | |
|--------------------------|-----------|
| 2700K (CRI>90 only) | 27 |
| 3000K | 30 |
| 4000K | 40 |
| 2700-6500K (CRI>90 only) | DW |

4 LICHTVERTEILUNG
 LIGHT DISTRIBUTION
 DISTRIBUTION DE LA LUMIÈRE

| | |
|-------------------|----------|
| direct | 1 |
| direct + indirect | 2 |

5 LEISTUNG & STEUERUNG
 OUTPUT & CONTROL
 SORTIE & CONTRÔLE

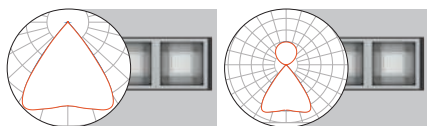
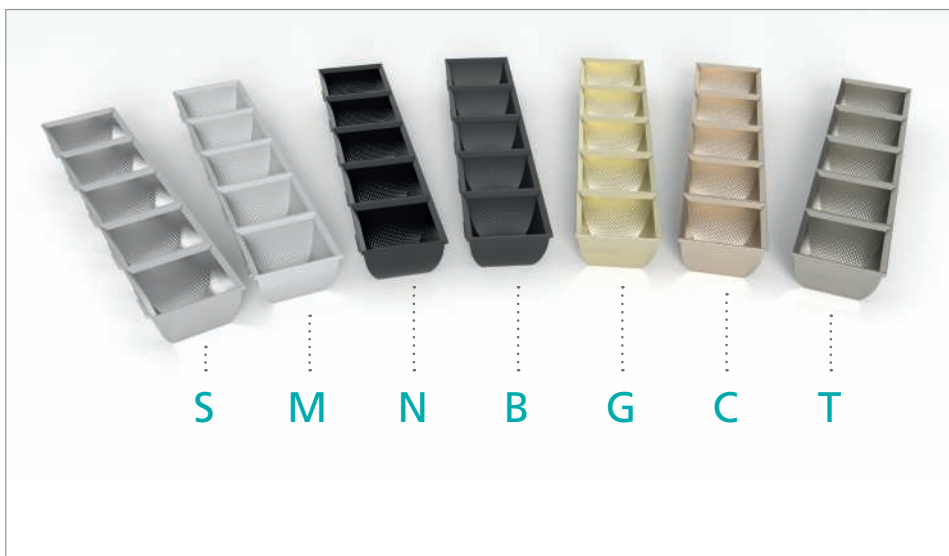
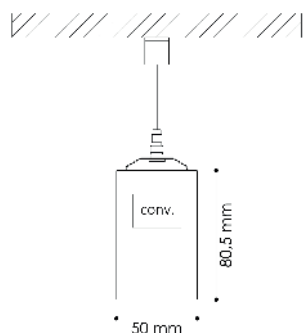
| | |
|------------------------|-----------|
| low output on/off | LO |
| low output DALI | LD |
| high output on/off | HO |
| high output DALI | HD |
| dynamic white DALI DT8 | DW |

6 GEHÄUSEFARBE
 HOUSING COLOUR
 COULEUR DU BOÎTIER

| | |
|----------------|-----------|
| silver RAL9006 | SI |
| white RAL9016 | WH |
| black RAL9005 | BL |

7 BAP-RASTER FARBE
 BAP LOUVRE COLOUR
 GRILLE BAP COULEUR

| | |
|-----------------|----------|
| silver specular | S |
| silver matt | M |
| black specular | N |
| black matt | B |
| gold specular | G |
| bronze specular | C |
| titan specular | T |



| Size [mm] | direct | | direct + indirect | | direct KG | direct + indirect KG |
|-----------|-----------------------|------------------------|-----------------------|------------------------|--------------|-------------------------|
| | low output [lm] / [W] | high output [lm] / [W] | low output [lm] / [W] | high output [lm] / [W] | | |
| 1.209 | 2.765 / 20,5 | 5.160 / 39,4 | 4.673 / 32,6 | 8.863 / 66,9 | 3,2 | 3,3 |
| 1.449 | 3.318 / 24 | 6.192 / 46,5 | 5.608 / 38,3 | 10.636 / 79,8 | 3,8 | 3,9 |
| 1.689 | 3.871 / 27,6 | 7.224 / 53,8 | 6.542 / 45,5 | 12.408 / 92,2 | 4,3 | 4,5 |
| 2.169 | 4.977 / 34,6 | 9.288 / 67,7 | 8.411 / 57,7 | 15.953 / 118,1 | 5,1 | 5,3 |
| 2.889 | 6.636 / 44,8 | 12.384 / 88,9 | 11.215 / 78,7 | 21.271 / 156,3 | 6,5 | 6,8 |
| 3.370 | 7.742 / 55,2 | 14.448 / 107,6 | 13.084 / 91 | 24.816 / 184,4 | 8,0 | 8,2 |

Alle Lumenangaben für 4000K, CRI>80, Reflektor silber hochglanz
 All lumen values for 4000K, CRI>80, reflector silver specular
 Toutes les données de lumens pour 4000K, CRI>80, réflecteur argenté brillant

officeLINE50

HÄNGELEUCHE MIT SENSOR | PENDANT LUMINAIRE WITH SENSOR | LUMINAIRE SUSPENDOU AVEC CAPTEUR



LED-Hängeleuchte direktstrahlend oder direkt-indirektstrahlend. Lichtkanal aus Aluminium-Strangpressprofil mit einer Breite von 50 mm. Fertigung der Leuchtenlänge millimetergenau auf Kundenwunsch möglich. Oberfläche der Leuchte feinstruktur matt pulverbeschichtet ähnlich RAL 9016 weiß, RAL 9006 silber oder RAL 9005 schwarz – auf Anfrage in RAL nach Wahl. Die Leuchte ist ausgestattet mit einem hochwertigen, facettierten BAP-Raster mit einer Auswahl an sieben verschiedenen Farben – Oberfläche hochglänzend bzw. matt. Leuchte inkl. weißem, rechteckigem Baldachin mit transparentem Einspeisekabel sowie flexiblen Seilabhängern und Schnellspannern zur stufenlosen Regulierung der Montagehöhe. Der LED-Treiber ist im Leuchtengehäuse integriert. Farbtemperaturen 2700K, 3000K, 4000K oder dynamisch Weiß (2700K–6500K) – Farbwiedergabe CRI>80 oder CRI>90 – Mac Adam ≤3. Leuchte inkl. Bewegungs- und Tageslichtsensor – zusätzliche Farbregelung bei der dynamisch Weiß Variante – Sensor eingebaut in 240 mm langer Blindabdeckung. Weitere Steuerungsoptionen oder Lichtfarben auf Anfrage erhältlich. Außerdem ist die Integration vieler Komponenten, wie beispielsweise Notlicht, sowie eine Vielzahl weiterer Optionen möglich.

Pendant LED luminaire with direct beam or direct-indirect beam. Light channel made of extruded aluminium profile with a width of 50 mm. Luminaire length can be manufactured to the exact millimetre on customer request. Surface of the luminaire fine structure matt powder coated similar to RAL 9016 white, RAL 9006 silver or RAL 9005 black - on request in RAL of choice. The luminaire is equipped with a high-quality, faceted BAP louvre with a choice of seven different colours - surface specular or matt. Luminaire incl. white, rectangular canopy with transparent feeding cable as well as flexible wire suspension and quick-release clamps for continuous adjustment of mounting height. The LED driver is integrated in the luminaire housing - either as on/off or DALI version. Colour temperatures 2700K, 3000K, 4000K or dynamic white (2700K-6500K) - colour rendering CRI>80 or CRI>90 - Mac Adam ≤3. Luminaire incl. motion and daylight sensor - additional colour control for dynamic white version - sensor built into 240 mm long blind cover. Further control options or light colours available on request. In addition, the integration of many components, such as emergency lighting or sensor technology, as well as a variety of other options is possible.

Suspension LED à éclairage direct ou direct-indirect. Canal lumineux en profilé d'aluminium extrudé d'une largeur de 50 mm. Fabrication de la longueur du luminaire au millimètre près possible sur demande du client. Surface du luminaire à structure fine, revêtement par poudre mat similaire à RAL 9016 blanc, RAL 9006 argent ou RAL 9005 noir - sur demande en RAL au choix. Le luminaire est équipé d'une grille BAP à facettes de haute qualité avec un choix de sept couleurs différentes - surface brillante ou mate. Le luminaire rectangulaire blanc avec un câble d'alimentation transparent ainsi que des câbles flexibles et des fixations rapides permettant de régler la hauteur de montage en continu. Le pilote LED est intégré dans le boîtier du luminaire - au choix sous forme de variante on/off ou DALI. Températures de couleur 2700K, 3000K, 4000K ou blanc dynamique (2700K-6500K) - Rendu des couleurs CRI>80 ou CRI>90 - Mac Adam ≤3. Luminaire avec capteur de mouvement et de lumière du jour - réglage supplémentaire de la couleur pour la version blanc dynamique - capteur intégré dans un cache de 240 mm de long. Autres options de commande ou couleurs de lumière disponibles sur demande. En outre, l'intégration de nombreux composants, tels que l'éclairage de secours ou la technologie de détection, une multitude d'autres options sont possibles.

ÜBERSICHT | OVERVIEW | VUE D'ENSEMBLE

TECHNICAL DATA

2700K / 3000K / 4000K / 2700-6500K

CRI>80 / CRI>90

MacAdam ≤ 3

up to 162 lm/W, up to 7.543 lm/m

DALI Sensor

direct / direct + indirect

BAP-Louvre (UGR <19)

LIFETIME

L80B10 50.000h

OPTIONS

emergency lighting

many more on demand



HOUSING COLOUR

schwarz | black | noir
RAL 9005

silber | silver | argent
RAL 9006

weiß | white | blanc
RAL 9016

RAL-Farbe nach Wahl auf Anfrage
RAL colour of your choice on demand
Couleur RAL de votre choix sur demande

BAP LOUVRE COLOUR

silber hochglanz | silver specular | argenté brillant

silber matt | silver matt | argenté mat

schwarz hochglanz | black specular | noir brillant

schwarz matt | black matt | noir mat

gold hochglanz | gold specular | doré brillant

bronze hochglanz | bronze specular | bronze brillant

titan hochglanz | titan specular | titan brillant

HÄNGELEUCHTE MIT SENSOR „officeLINE50“
 PENDANT LUMINAIRE WITH SENSOR "officeLINE50"
 LUMINAIRE SUSPENDOU AVEC CAPTEUR « officeLINE50 »

Bestellbeispiel | Example order | Exemple de commande
 1.449 mm, CRI>90, 4000K, direct + indirect, low output sensor, black, gold specular

OL50H - 149402 - LSBLG

1 2 3 4 5 6 7

1 LÄNGE
 LENGTH
 LONGEUR

| | |
|----------|-----------|
| 1.449 mm | 14 |
| 1.689 mm | 16 |
| 1.929 mm | 19 |

2 FARBWIEDERGABE
 COLOUR RENDERING
 RENDU DES COULEURS

| | |
|--------|----------|
| CRI>80 | 8 |
| CRI>90 | 9 |

3 FARBTEMPERATUR
 COLOUR TEMPERATURE
 TEMPÉRATURE DE COULEUR

| | |
|--------------------------|-----------|
| 2700K (CRI>90 only) | 27 |
| 3000K | 30 |
| 4000K | 40 |
| 2700-6500K (CRI>90 only) | DW |

4 LICHTVERTEILUNG
 LIGHT DISTRIBUTION
 DISTRIBUTION DE LA LUMIÈRE

| | |
|-------------------|----------|
| direct | 1 |
| direct + indirect | 2 |

5 LEISTUNG & STEUERUNG
 OUTPUT & CONTROL
 SORTIE & CONTRÔLE

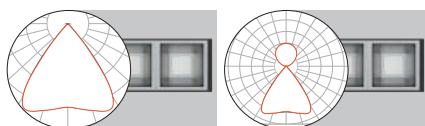
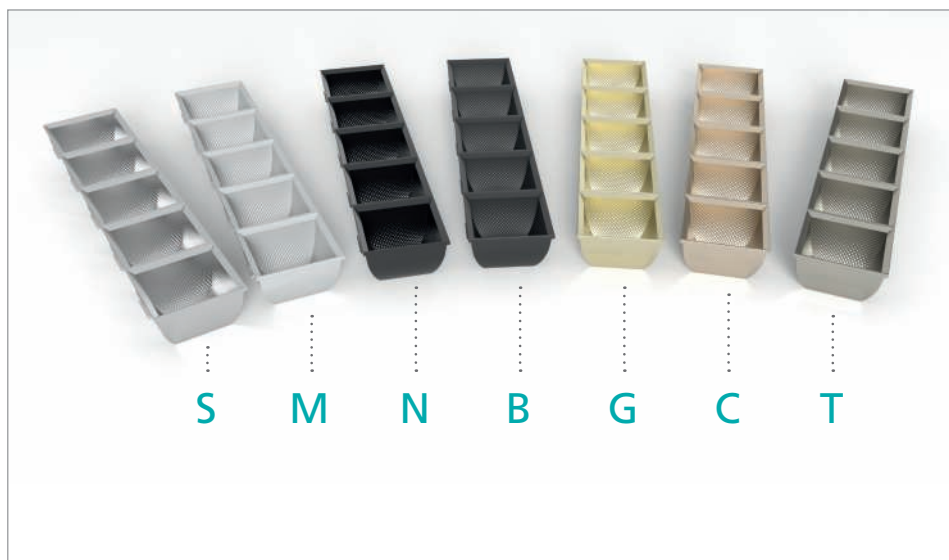
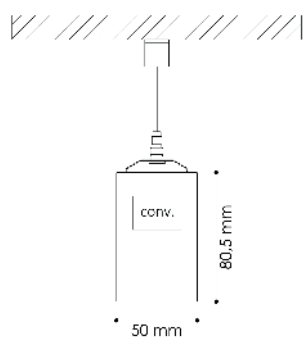
| | |
|--------------------------------|-----------|
| low output sensor | LS |
| high output sensor | HS |
| dynamic white sensor (DW only) | DS |

6 GEHÄUSEFARBE
 HOUSING COLOUR
 COULEUR DU BOÎTIER

| | |
|----------------|-----------|
| silver RAL9006 | SI |
| white RAL9016 | WH |
| black RAL9005 | BL |

7 BAP-RASTER FARBE
 BAP LOUVRE COLOUR
 GRILLE BAP COULEUR

| | |
|-----------------|----------|
| silver specular | S |
| silver matt | M |
| black specular | N |
| black matt | B |
| gold specular | G |
| bronze specular | C |
| titan specular | T |



| Size [mm] | direct | | direct + indirect | | direct [kg] | direct + indirect [kg] |
|-----------|-----------------------|------------------------|-----------------------|------------------------|-------------|------------------------|
| | low output [lm] / [W] | high output [lm] / [W] | low output [lm] / [W] | high output [lm] / [W] | | |
| 1.449 | 2.765 / 20,5 | 5.160 / 39,4 | 4.673 / 32,6 | 8.863 / 66,9 | 3,8 | 3,9 |
| 1.689 | 3.318 / 24 | 6.192 / 46,5 | 5.608 / 38,3 | 10.636 / 79,8 | 4,3 | 4,5 |
| 1.929 | 3.871 / 27,6 | 7.224 / 53,8 | 6.542 / 45,5 | 12.408 / 92,2 | 4,9 | 5,0 |

Alle Lumenangaben für 4000K, CRI>80, Reflektor silber hochglanz
 All lumen values for 4000K, CRI>80, reflector silver specular
 Toutes les données de lumens pour 4000K, CRI>80, réflecteur argenté brillant

LINE70

HÄNGELEUCHTE | PENDANT LUMINAIRE | LUMINAIRE SUSPENSION



LED-Hängeleuchte direktstrahlend oder direkt-indirektstrahlend. Lichtkanal aus Aluminium-Strangpressprofil mit einer Breite von 71 mm. Fertigung der Leuchtenlänge millimetergenau auf Kundenwunsch möglich. Oberfläche der Leuchte feinstruktur matt pulverbeschichtet ähnlich RAL 9016 weiß, RAL 9006 silber oder RAL 9005 schwarz – auf Anfrage in RAL nach Wahl. Diffusor wahlweise in PMMA opal oder PMMA klar mit eingeschobener mikroprismatischer Platte für eine reduzierte Leuchtdichte (UGR<19). Leuchte inkl. weißem, rechteckigem Baldachin mit transparentem Einspeisekabel sowie flexiblen Seilabhängern und Schnellspannern zur stufenlosen Regulierung der Montagehöhe. Der LED-Treiber ist im Leuchtgehäuse integriert – wahlweise als on/off oder DALI-Variante. Farbtemperaturen 2700K, 3000K, 4000K oder dynamisch Weiß (2700K–6500K) – Farbwiedergabe CRI>80 oder CRI>90 – Mac Adam ≤3. Weitere Steuerungsoptionen oder Lichtfarben auf Anfrage erhältlich. Außerdem ist die Integration vieler Komponenten, wie beispielsweise Notlicht oder Sensortechnologie, sowie eine Vielzahl weiterer Optionen möglich.

Pendant LED luminaire direct beam or direct-indirect beam. Light channel made of extruded aluminium profile with a width of 71 mm. Luminaire length can be manufactured to the exact millimetre on customer request. Surface of the luminaire fine structure matt powder coated similar to RAL 9016 white, RAL 9006 silver or RAL 9005 black - on request in RAL of choice. Diffuser either in PMMA opal or PMMA clear with inserted microprismatic plate for reduced luminance (UGR<19). Luminaire incl. white, rectangular canopy with transparent feeding cable as well as flexible cord suspensions and quick-release clamps for continuous adjustment of mounting height. The LED driver is integrated in the luminaire housing - either as on/off or DALI version. Colour temperatures 2700K, 3000K, 4000K or dynamic white (2700K-6500K) - colour rendering CRI>80 or CRI>90 - Mac Adam ≤3. Further control options or light colours available on request. In addition, the integration of many components, such as emergency lighting or sensor technology, as well as a variety of other options is possible.

Suspension LED à éclairage direct ou direct-indirect. Canal lumineux en profilé d'aluminium extrudé d'une largeur de 71 mm. Fabrication de la longueur du luminaire au millimètre près possible sur demande du client. Surface du luminaire à structure fine, revêtement par poudre mat similaire à RAL 9016 blanc, RAL 9006 argent ou RAL 9005 noir - sur demande en RAL au choix. Diffuseur au choix en PMMA opale ou en PMMA transparent avec plaque microprismatique insérée pour un éblouissement réduit (UGR<19). Luminaire avec rosace rectangulaire blanche, câble d'alimentation transparent, de câble flexibles et tendeurs rapides permettant de régler la hauteur de montage en continu. Le pilote LED est intégré dans le boîtier du luminaire - au choix sous forme de variante on/off ou DALI. Températures de couleur 2700K, 3000K, 4000K ou blanc dynamique (2700K-6500K) - Rendu des couleurs CRI>80 ou CRI>90 - Mac Adam ≤3. Autres options de commande ou couleurs de lumière disponibles sur demande. En outre, l'intégration de nombreux composants, tels que l'éclairage de secours ou la technologie de détection, une multitude d'autres options sont possibles.

ÜBERSICHT | OVERVIEW | VUE D'ENSEMBLE

TECHNICAL DATA

2700K / 3000K / 4000K / 2700-6500K

CRI>80 / CRI>90

MacAdam ≤ 3

up to 161 lm/W, up to 6.958 lm/m

on-off / DALI

direct / direct + indirect

opal / microprism (UGR <19)

HOUSING COLOUR

schwarz | black | noir
RAL 9005



silber | silver | argent
RAL 9006



weiß | white | blanc
RAL 9016



RAL-Farbe nach Wahl auf Anfrage
RAL colour of your choice on demand
Couleur RAL de votre choix sur demande



LIFETIME

L80B10 50.000h

OPTIONS

emergency lighting

motion and day-light sensor

many more on demand



LED



CRI

>80



CRI

>90



IP20



DALI



SDCM

≤3



>50.000 h

HÄNGELEUCHTE „LINE70“
 PENDANT LUMINAIRE “LINE70”
 LUMINAIRE SUSPENSION « LINE70 »

Bestellbeispiel | Example order | Exemple de commande
 3.134 mm, CRI>90, 4000K, direct + indirect, low output on/off, black, microprism

LI70H - 319402 - LOBLM

1 2 3 4 5 6 7

| 1 LÄNGE LENGTH LONGEUR | |
|------------------------------|----|
| 1.214 mm | 12 |
| 1.454 mm | 14 |
| 1.694 mm | 16 |
| 1.934 mm | 19 |
| 2.174 mm | 21 |
| 2.414 mm | 24 |
| 2.894 mm | 28 |
| 3.134 mm | 31 |
| 3.856 mm | 38 |

| 2 FARBWIEDERGABE COLOUR RENDERING RENDU DES COULEURS | |
|--|---|
| CRI>80 | 8 |
| CRI>90 | 9 |

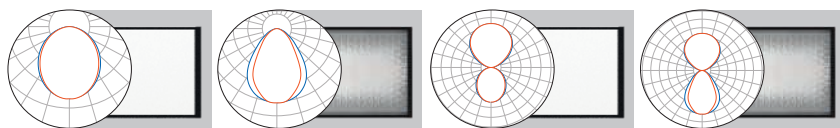
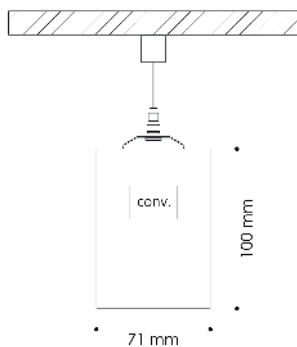
| 3 FARBTEMPERATUR COLOUR TEMPERATURE TEMPÉRATURE DE COULEUR | |
|--|----|
| 2700K (CRI>90 only) | 27 |
| 3000K | 30 |
| 4000K | 40 |
| 2700-6500K (CRI>90 only) | DW |

| 4 LICHTVERTEILUNG LIGHT DISTRIBUTION DISTRIBUTION DE LA LUMIÈRE | |
|---|---|
| direct | 1 |
| direct + indirect | 2 |

| 5 LEISTUNG & STEUERUNG OUTPUT & CONTROL SORTIE & CONTRÔLE | |
|---|----|
| low output on/off | LO |
| low output DALI | LD |
| high output on/off | HO |
| high output DALI | HD |
| dynamic white DALI DT8 | DW |

| 6 GEHÄUSEFARBE HOUSING COLOUR COULEUR DU BOÎTIER | |
|--|----|
| silver RAL9006 | SI |
| white RAL9016 | WH |
| black RAL9005 | BL |

| 7 DIFFUSOR DIFFUSER DIFFUSEUR | |
|-------------------------------------|---|
| opal | O |
| microprism | M |



| Size [mm] | opal direct | | microprism direct | | opal direct + indirect | | microprism direct + indirect | | direct | direct + indirect |
|-----------|-----------------------|------------------------|-----------------------|------------------------|------------------------|------------------------|------------------------------|------------------------|--------|-------------------|
| | low output [lm] / [W] | high output [lm] / [W] | low output [lm] / [W] | high output [lm] / [W] | low output [lm] / [W] | high output [lm] / [W] | low output [lm] / [W] | high output [lm] / [W] | KG | KG |
| 1.214 | 2.154 / 18,8 | 3.418 / 30 | 2.090 / 18,8 | 3.216 / 30 | 5.136 / 35,4 | 8.176 / 57,2 | 5.072 / 35,4 | 7.974 / 57,2 | 3,6 | 4,2 |
| 1.454 | 2.585 / 22,1 | 4.102 / 35,8 | 2.508 / 22,1 | 3.859 / 35,8 | 6.163 / 41,6 | 9.811 / 68,1 | 6.086 / 41,6 | 9.569 / 68,1 | 4,2 | 4,8 |
| 1.694 | 3.016 / 25,5 | 4.785 / 41,1 | 2.926 / 25,5 | 4.502 / 41,1 | 7.190 / 47,9 | 11.446 / 80,8 | 7.100 / 47,9 | 11.164 / 80,8 | 4,9 | 5,5 |
| 1.934 | 3.446 / 28,7 | 5.469 / 46,3 | 3.344 / 28,7 | 5.146 / 46,3 | 8.218 / 54,5 | 13.082 / 91,7 | 8.116 / 54,5 | 12.758 / 91,7 | 5,4 | 6,1 |
| 2.174 | 3.877 / 32 | 6.152 / 52 | 3.762 / 32 | 5.789 / 52 | 9.245 / 60,8 | 14.717 / 103 | 9.130 / 60,8 | 14.353 / 103 | 6,1 | 6,7 |
| 2.414 | 4.308 / 35,4 | 6.836 / 57,3 | 4.180 / 35,4 | 6.432 / 57,3 | 10.272 / 65,4 | 16.352 / 113,1 | 10.144 / 65,4 | 15.948 / 113,1 | 6,8 | 7,5 |
| 2.894 | 5.170 / 41,6 | 8.203 / 69,6 | 5.016 / 41,6 | 7.718 / 69,6 | 12.326 / 77,4 | 19.622 / 134,8 | 12.172 / 77,4 | 19.138 / 134,8 | 8,0 | 8,8 |
| 3.134 | 5.600 / 44,8 | 8.887 / 75,5 | 5.434 / 44,8 | 8.362 / 75,5 | 13.354 / 83,4 | 21.258 / 145,3 | 13.189 / 83,4 | 20.732 / 145,3 | 8,6 | 9,4 |
| 3.856 | 6.892 / 57,4 | 10.938 / 92,6 | 6.688 / 57,4 | 10.292 / 92,6 | 16.436 / 109 | 26.164 / 183,4 | 16.232 / 109 | 25.516 / 183,4 | 10,8 | 11,7 |

Alle Lumenangaben für 4000K, CRI>80, Microprisma ohne Opalfolie
 All lumen values for 4000K, CRI>80, microprism without opal foil
 Toutes les données de lumens pour 4000K, CRI>80, microprisme sans feuille opale

RING50

HÄNGELEUCHE | PENDANT LUMINAIRE | LUMINAIRE SUSPENSION



Ringförmige LED-Hängeleuchte direktstrahlend oder direkt-indirektstrahlend. Lichtkanal aus gerolltem Aluminiumprofil mit einer Breite von 50 mm. Leuchte erhältlich in neun verschiedenen Durchmessern – 1220 und 1575 mm in einem Stück nahtlos verschweißt – die restlichen Größen (2020, 2595, 3090, 3535, 4070, 5050, 6075 mm) bestehend aus zwei bis neun gleich großen Segmenten. Oberfläche der Leuchte feinstruktur matt pulverbeschichtet ähnlich RAL 9016 weiß, RAL 9006 silber oder RAL 9005 schwarz – auf Anfrage in RAL nach Wahl. Diffusor wahlweise in PMMA opal oder PMMA klar mit mikroprismatischer Prägung für eine reduzierte Leuchtdichte (UGR<19). Leuchte inkl. weißem, rundem Baldachin mit transparentem Einspeisekabel sowie flexiblen Seilabhängern und Schnellspannern zur stufenlosen Regulierung der Montagehöhe. Der LED-Treiber ist im Leuchtgehäuse integriert – wahlweise als on/off oder DALI-Variante. Farbtemperaturen 2700K, 3000K, 4000K oder dynamisch Weiß (2700K–6500K) – Farbwiedergabe CRI>80 oder CRI>90 – Mac Adam ≤3. Weitere Steuerungsoptionen oder Lichtfarben auf Anfrage erhältlich. Außerdem ist die Integration vieler Komponenten, wie beispielsweise Notlicht oder Sensortechnologie, sowie eine Vielzahl weiterer Optionen möglich.

Ring-shaped pendant LED luminaire with direct beam or direct-indirect beam. Light channel made of rolled aluminium profile with a width of 50 mm. Luminaire available in nine different diameters - 1220 and 1575 mm seamlessly welded in one piece - the remaining sizes (2020, 2595, 3090, 3535, 4070, 5050, 6075 mm) consisting of two to nine equally sized segments. Surface of the luminaire fine structure matt powder coated similar to RAL 9016 white, RAL 9006 silver or RAL 9005 black - on request in RAL of choice. Diffuser either in PMMA opal or PMMA clear with microprismatic pattern for reduced luminance (UGR<19). Luminaire incl. white, round canopy with transparent feeding cable as well as flexible cord suspension and quick-release clamps for continuous adjustment of the mounting height. The LED driver is integrated in the luminaire housing - either as on/off or DALI version. Colour temperatures 2700K, 3000K, 4000K or dynamic white (2700K-6500K) - colour rendering CRI>80 or CRI>90 - Mac Adam ≤3. Further control options or light colours available on request. In addition, the integration of many components, such as emergency lighting or sensor technology, as well as a variety of other options is possible.

Suspension anneau LED à éclairage direct ou direct-indirect. Canal lumineux en profilé d'aluminium roulé d'une largeur de 50 mm. Luminaire disponible en neuf diamètres différents - 1220 et 1575 mm en une seule pièce soudée sans soudure - les autres tailles (2020, 2595, 3090, 3535, 4070, 5050, 6075 mm) se composent de deux à neuf segments de même taille. Surface du luminaire à structure fine matte revêtue par poudre similaire à RAL 9016 blanc, RAL 9006 argent ou RAL 9005 noir - sur demande en RAL au choix. Diffuseur au choix en PMMA opale ou en PMMA transparent avec gaufrage microprismatique pour un éblouissement réduit (UGR<19). Luminaire rond blanc avec un câble d'alimentation transparent ainsi que des câbles flexibles et des tendeurs rapides permettant de régler la hauteur de montage en continu. Le pilote LED est intégré dans le boîtier du luminaire - au choix en version on/off ou DALI. Températures de couleur 2700K, 3000K, 4000K ou blanc dynamique (2700K-6500K) - Rendu des couleurs CRI>80 ou CRI>90 - Mac Adam ≤3. Autres options de commande ou couleurs de lumière disponibles sur demande. En outre, l'intégration de nombreux composants, tels que l'éclairage de secours ou la technologie de détection, une multitude d'autres options sont possibles.

ÜBERSICHT | OVERVIEW | VUE D'ENSEMBLE

TECHNICAL DATA

2700K / 3000K / 4000K / 2700-6500K

CRI>80 / CRI>90

MacAdam ≤ 3

up to 132 lm/W

on-off / DALI

direct / direct + indirect

opal / microprism (UGR <19)

HOUSING COLOUR

schwarz | black | noir
RAL 9005

silber | silver | argent
RAL 9006

weiß | white | blanc
RAL 9016

RAL-Farbe nach Wahl auf Anfrage
RAL colour of your choice on demand
Couleur RAL de votre choix sur demande

LIFETIME

L80B10 50.000h

OPTIONS

emergency lighting

motion and day-light sensor

many more on demand



>80

>90

IP20

DALI

≤3

>50.000 h

HÄNGELEUCHTE „RING50“
 PENDANT LUMINAIRE “RING50”
 LUMINAIRE SUSPENSION « RING50 »

Bestellbeispiel | Example order | Exemple de commande
 6.075 mm, CRI>90, 4000K, direct + indirect, low output on/off, black, microprism

RG50H - 609402 - LOBLM

1 2 3 4 5 6 7

1 DURCHMESSER
 DIAMETER
 DIAMÈTRE

| | |
|------------------|----|
| 1.220 mm (no DW) | 12 |
| 1.575 mm (no DW) | 15 |
| 2.020 mm | 20 |
| 2.595 mm | 25 |
| 3.090 mm | 30 |
| 3.535 mm | 35 |
| 4.070 mm | 40 |
| 5.050 mm | 50 |
| 6.075 mm | 60 |

2 FARBWIEDERGABE
 COLOUR RENDERING
 RENDU DES COULEURS

| | |
|--------|---|
| CRI>80 | 8 |
| CRI>90 | 9 |

3 FARBTTEMPERATUR
 COLOUR TEMPERATURE
 TEMPÉRATURE DE COULEUR

| | |
|--------------------------|----|
| 2700K (CRI>90 only) | 27 |
| 3000K | 30 |
| 4000K | 40 |
| 2700-6500K (CRI>90 only) | DW |

4 LICHTVERTEILUNG
 LIGHT DISTRIBUTION
 DISTRIBUTION DE LA LUMIÈRE

| | |
|-------------------|---|
| direct | 1 |
| direct + indirect | 2 |

5 LEISTUNG & STEUERUNG
 OUTPUT & CONTROL
 SORTIE & CONTRÔLE

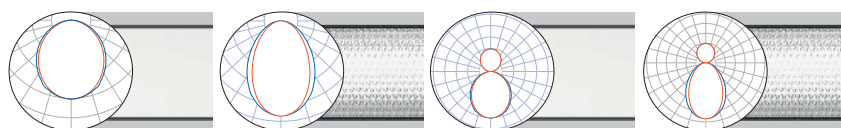
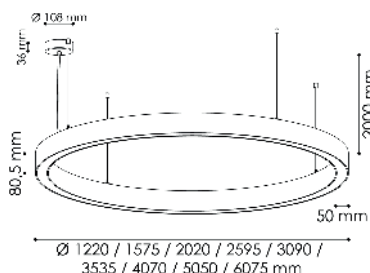
| | |
|------------------------|----|
| low output on/off | LO |
| low output DALI | LD |
| high output on/off | HO |
| high output DALI | HD |
| dynamic white DALI DT8 | DW |

6 GEHÄUSEFARBE
 HOUSING COLOUR
 COULEUR DU BOÎTIER

| | |
|----------------|----|
| silver RAL9006 | SI |
| white RAL9016 | WH |
| black RAL9005 | BL |

7 DIFFUSOR
 DIFFUSER
 DIFFUSEUR

| | |
|------------|---|
| opal | O |
| microprism | M |



| Size [mm] | opal direct | | microprism direct | | opal direct + indirect | | microprism direct + indirect | | direct | direct + indirect |
|-----------|-----------------------|------------------------|-----------------------|------------------------|------------------------|------------------------|------------------------------|------------------------|--------|-------------------|
| | low output [lm] / [W] | high output [lm] / [W] | low output [lm] / [W] | high output [lm] / [W] | low output [lm] / [W] | high output [lm] / [W] | low output [lm] / [W] | high output [lm] / [W] | kg | kg |
| Ø 1.220 | 4.888 / 44,7 | 8.376 / 72,5 | 5.026 / 44,7 | 8.616 / 72,5 | 7.402 / 60,4 | 12.688 / 97,9 | 7.539 / 60,4 | 12.920 / 97,9 | 9,9 | 10,5 |
| Ø 1.575 | 6.110 / 59 | 10.470 / 90,6 | 6.283 / 59 | 10.770 / 90,6 | 9.252 / 75,5 | 15.860 / 122,3 | 9.424 / 75,5 | 16.150 / 122,3 | 12,8 | 13,6 |
| Ø 2.020 | 7.943 / 76,7 | 13.611 / 117,8 | 8.168 / 76,7 | 14.001 / 117,8 | 12.028 / 98,15 | 20.618 / 159 | 12.251 / 98,15 | 20.995 / 159 | 16,5 | 17,5 |
| Ø 2.595 | 10.387 / 100,3 | 17.799 / 154 | 10.681 / 100,3 | 18.309 / 154 | 15.728 / 128,3 | 26.962 / 207,9 | 16.021 / 128,3 | 27.455 / 207,9 | 21,1 | 22,4 |
| Ø 3.090 | 12.220 / 118 | 20.940 / 181,2 | 12.566 / 118 | 21.540 / 181,2 | 18.504 / 151 | 31.720 / 244,6 | 18.848 / 151 | 32.300 / 244,6 | 25,2 | 26,7 |
| Ø 3.535 | 14.053 / 135,7 | 24.081 / 208,4 | 14.451 / 135,7 | 24.771 / 208,4 | 21.280 / 173,6 | 36.478 / 281,3 | 21.675 / 173,6 | 37.145 / 281,3 | 28,8 | 30,6 |
| Ø 4.070 | 15.886 / 153,4 | 27.222 / 235,6 | 16.336 / 153,4 | 28.002 / 235,6 | 24.055 / 196,3 | 41.236 / 318 | 24.502 / 196,3 | 41.990 / 318 | 33,2 | 35,2 |
| Ø 5.050 | 20.163 / 194,7 | 34.551 / 299 | 20.734 / 194,7 | 35.541 / 299 | 30.532 / 249,1 | 52.338 / 403,6 | 31.099 / 249,1 | 53.295 / 403,6 | 41,1 | 43,6 |
| Ø 6.075 | 23.829 / 230,1 | 40.833 / 353,3 | 24.504 / 230,1 | 42.003 / 353,3 | 36.083 / 294,5 | 61.854 / 477 | 36.754 / 294,5 | 62.985 / 477 | 49,5 | 52,5 |

Alle Lumenangaben für 4000K, CRI>80, Gehäusefarbe weiß
 All lumen values for 4000K, CRI>80, housing colour white
 Toutes les données de lumens pour 4000K, CRI>80, couleur du boîtier blanc

FLEX50

HÄNGELEUCHE | PENDANT LUMINAIRE | LUMINAIRE SUSPENSION


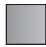




LED-Hängeleuchte als Segment zur individuellen Kombination. Direktstrahlend oder direkt-indirektstrahlend. Lichtkanal aus gerolltem Aluminiumprofil mit einer Breite von 50 mm. Segmente erhältlich in 13 verschiedenen Varianten – zwei Stück als gerades Profil 980 oder 1960 mm – die restlichen Segmente sind als 40°, 45°, 60°- bzw. 90°-Stücke mit einem Mittenradius von 585 bis 3012,5 mm erhältlich. Oberfläche der Leuchte feinstruktur matt pulverbeschichtet ähnlich RAL 9016 weiß, RAL 9006 silber oder RAL 9005 schwarz – auf Anfrage in RAL nach Wahl. Diffusor wahlweise in PMMA opal oder PMMA klar mit mikroprismatischer Prägung für eine reduzierte Leuchtdichte (UGR<19). Leuchte inkl. weißem, rundem Baldachin mit transparentem Einspeisekabel sowie flexiblen Seilabhängern und Schnellspannern zur stufenlosen Regulierung der Montagehöhe. Der LED-Treiber ist im Leuchtgehäuse integriert – wahlweise als on/off oder DALI-Variante. Farbtemperaturen 2700K, 3000K, 4000K oder dynamisch Weiß (2700K–6500K) – Farbwiedergabe CRI>80 oder CRI>90 – Mac Adam ≤3. Weitere Steuerungsoptionen oder Lichtfarben auf Anfrage erhältlich. Außerdem ist die Integration vieler Komponenten, wie beispielsweise Notlicht oder Sensortechnologie, sowie eine Vielzahl weiterer Optionen möglich.

Pendant LED luminaire as segment for individual combination. Direct beam or direct-indirect beam. Light channel made of rolled aluminium profile with a width of 50 mm. Segments available in 13 different versions - two pieces as straight profile 980 or 1960 mm - the remaining segments are available as 40°, 45°, 60° or 90° pieces with a middle radius of 585 to 3012.5 mm. Surface of the luminaire fine structure matt powder coated similar to RAL 9016 white, RAL 9006 silver or RAL 9005 black - on request in RAL of choice. Diffuser either in PMMA opal or PMMA clear with microprismatic pattern for reduced luminance (UGR<19). Luminaire incl. white, round canopy with transparent feeding cable as well as flexible cord suspension and quick-release clamps for continuous adjustment of mounting height. The LED driver is integrated in the luminaire housing - either as on/off or DALI version. Colour temperatures 2700K, 3000K, 4000K or dynamic white (2700K-6500K) - colour rendering CRI>80 or CRI>90 - Mac Adam ≤3. Further control options or light colours available on request. In addition, the integration of many components, such as emergency lighting or sensor technology, as well as a variety of other options is possible.

Luminaire LED suspendu sous segment pour une combinaison individuelle. Éclairage direct ou éclairage direct-indirect. Canal lumineux en profilé d'aluminium roulé d'une largeur de 50 mm. Segments disponibles en 13 variantes différentes - deux pièces sous forme de profilé droit de 980 ou 1960 mm - les autres segments sont disponibles sous forme de pièces de 40°, 45°, 60° ou 90° avec un rayon central de 585 à 3012,5 mm. Surface du luminaire à structure fine matte revêtue par poudre similaire à RAL 9016 blanc, RAL 9006 argent ou RAL 9005 noir - sur demande en RAL au choix. Diffuseur au choix en PMMA opale ou en PMMA transparent avec gaufrage microprismatique pour un éblouissement réduit (UGR<19). Luminaire rond blanc avec un câble d'alimentation transparent ainsi que des câbles flexibles et des tendeurs rapides permettant de régler la hauteur de montage en continu. Le pilote LED est intégré dans le boîtier du luminaire - au choix sous forme de variante on/off ou DALI. Températures de couleur 2700K, 3000K, 4000K ou blanc dynamique (2700K-6500K) - Rendu des couleurs CRI>80 ou CRI>90 - Mac Adam ≤3. Autres options de commande ou couleurs de lumière disponibles sur demande. En outre, l'intégration de nombreux composants, tels que l'éclairage de secours ou la technologie de détection, une multitude d'autres options sont possibles.

ÜBERSICHT | OVERVIEW | VUE D'ENSEMBLE

| TECHNICAL DATA | |
|--|---|
| 2700K / 3000K / 4000K / 2700-6500K | |
| CRI>80 / CRI>90 | |
| MacAdam ≤ 3 | |
| up to 132 lm/W | |
| on-off / DALI | |
| direct / direct + indirect | |
| opal / microprism (UGR <19) | |
| HOUSING COLOUR | |
| schwarz black noir RAL 9005 |  |
| silber silver argent RAL 9006 |  |
| weiß white blanc RAL 9016 |  |
| RAL-Farbe nach Wahl auf Anfrage RAL colour of your choice on demand Couleur RAL de votre choix sur demande |  |

| LIFETIME |
|----------------|
| L80B10 50.000h |

| OPTIONS |
|-----------------------------|
| emergency lighting |
| motion and day-light sensor |
| many more on demand |

| | | | | | | |
|---|--|---|--|--|--|---|
|  LED |  CRI |  CRI |  IP20 |  DALI |  SDCM |  |
| | >80 | >90 | IP20 | DALI | ≤3 | >50.000 h |

HÄNGELEUCHTE „FLEX50“
 PENDANT LUMINAIRE “FLEX50”
 LUMINAIRE SUSPENSION « FLEX50 »

Bestellbeispiel | Example order | Exemple de commande
 straight, 1.960 mm, CRI>90, 4000K, direct + indirect, low output on/off, black, microprism

FX50H - L29402 - LOBLM

1 2 3 4 5 6 7

1 GRÖSSE
 SIZE
 TAILLE

| | |
|-------------------------|-----------|
| straight, L 980 mm | L1 |
| straight, L 1.960 mm | L2 |
| 90°, R 585 mm (no DW) | 19 |
| 90°, R 762,5 mm (no DW) | 29 |
| 90°, R 985 mm | 39 |
| 45°, R 1.272,5 mm | 44 |
| 90°, R 1.272,5 mm | 49 |
| 60°, R 1.520 mm | 56 |
| 90°, R 1.520 mm | 59 |
| 60°, R 1.742,5 mm | 66 |
| 60°, R 2.010 mm | 76 |
| 45°, R 2.500 mm | 84 |
| 40°, R 3.012,5 mm | 94 |

2 FARBWIEDERGABE
 COLOUR RENDERING
 RENDU DES COULEURS

| | |
|--------|----------|
| CRI>80 | 8 |
| CRI>90 | 9 |

3 FARBTEMPERATUR
 COLOUR TEMPERATURE
 TEMPÉRATURE DE COULEUR

| | |
|--------------------------|-----------|
| 2700K (CRI>90 only) | 27 |
| 3000K | 30 |
| 4000K | 40 |
| 2700-6500K (CRI>90 only) | DW |

4 LICHTVERTEILUNG
 LIGHT DISTRIBUTION
 DISTRIBUTION DE LA LUMIÈRE

| | |
|-------------------|----------|
| direct | 1 |
| direct + indirect | 2 |

5 LEISTUNG & STEUERUNG
 OUTPUT & CONTROL
 SORTIE & CONTRÔLE

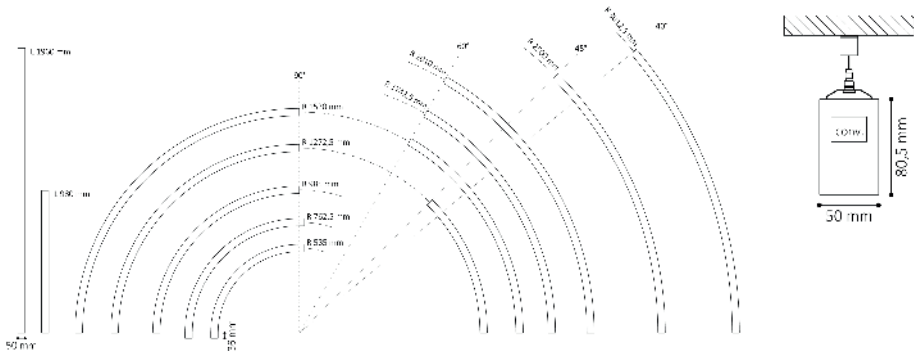
| | |
|------------------------|-----------|
| low output on/off | LO |
| low output DALI | LD |
| high output on/off | HO |
| high output DALI | HD |
| dynamic white DALI DT8 | DW |

6 GEHÄUSEFARBE
 HOUSING COLOUR
 COULEUR DU BOÎTIER

| | |
|----------------|-----------|
| silver RAL9006 | SI |
| white RAL9016 | WH |
| black RAL9005 | BL |

7 DIFFUSOR
 DIFFUSER
 DIFFUSEUR

| | |
|------------|----------|
| opal | O |
| microprism | M |



| Size [mm] | opal direct | | microprism direct | | opal direct + indirect | | microprism direct + indirect | | direct | direct + indirect |
|-------------------|-----------------------|------------------------|-----------------------|------------------------|------------------------|------------------------|------------------------------|------------------------|--------|-------------------|
| | low output [lm] / [W] | high output [lm] / [W] | low output [lm] / [W] | high output [lm] / [W] | low output [lm] / [W] | high output [lm] / [W] | low output [lm] / [W] | high output [lm] / [W] | KG | KG |
| straight, L 980 | 1.222 / 11,2 | 2.094 / 18,1 | 1.257 / 11,2 | 2.153 / 18,1 | 1.850 / 15,1 | 3.171 / 24,5 | 1.885 / 15,1 | 3.230 / 24,5 | 2,5 | 2,7 |
| straight, L 1.960 | 2.554 / 23,3 | 4.377 / 37,8 | 2.626 / 23,3 | 4.377 / 37,8 | 3.701 / 31,6 | 6.343 / 51,1 | 3.780 / 31,6 | 6.479 / 51,1 | 5,1 | 5,4 |
| 90°, R 585 | 1.224 / 11,2 | 2.096 / 18,1 | 1.256 / 11,2 | 2.156 / 18,1 | 1.850 / 15,1 | 3.171 / 24,5 | 1.885 / 15,1 | 3.230 / 24,5 | 2,5 | 2,6 |
| 90°, R 762,5 | 1.530 / 14 | 2.620 / 22,7 | 1.570 / 14 | 2.695 / 22,7 | 2.315 / 18,9 | 3.965 / 30,6 | 2.355 / 18,9 | 4.035 / 30,6 | 3,2 | 3,4 |
| 90°, R 985 | 1.836 / 16,8 | 3.144 / 27,2 | 1.884 / 16,8 | 3.234 / 27,2 | 2.778 / 22,7 | 4.758 / 36,7 | 2.826 / 22,7 | 4.842 / 36,7 | 4,1 | 4,4 |
| 45°, R 1.272,5 | 1.224 / 11,2 | 2.096 / 18,1 | 1.256 / 11,2 | 2.156 / 18,1 | 1.850 / 15,1 | 3.171 / 24,5 | 1.885 / 15,1 | 3.230 / 24,5 | 2,6 | 2,8 |
| 90°, R 1.272,5 | 2.448 / 22,4 | 4.192 / 36,2 | 2.512 / 22,4 | 4.312 / 36,2 | 3.704 / 30,2 | 6.344 / 49 | 3.768 / 30,2 | 6.456 / 49 | 5,3 | 5,6 |
| 60°, R 1.520 | 1.836 / 16,8 | 3.144 / 27,2 | 1.884 / 16,8 | 3.234 / 27,2 | 2.778 / 22,7 | 4.758 / 36,7 | 2.826 / 22,7 | 4.842 / 36,7 | 4,2 | 4,5 |
| 90°, R 1.520 | 3.060 / 28 | 5.240 / 45,3 | 3.140 / 28 | 5.390 / 45,3 | 4.630 / 37,8 | 7.930 / 61,2 | 4.710 / 37,8 | 8.070 / 61,2 | 6,3 | 6,7 |
| 60°, R 1.742,5 | 2.142 / 19,6 | 3.668 / 31,7 | 2.198 / 19,6 | 3.773 / 31,7 | 3.241 / 26,5 | 5.551 / 42,8 | 3.297 / 26,5 | 5.649 / 42,8 | 4,8 | 5,1 |
| 60°, R 2.010 | 2.754 / 25,2 | 4.716 / 40,8 | 2.826 / 25,2 | 4.851 / 40,8 | 4.167 / 34 | 7.137 / 55,1 | 4.239 / 34 | 7.263 / 55,1 | 5,5 | 5,9 |
| 45°, R 2.500 | 2.448 / 22,4 | 4.192 / 36,2 | 2.512 / 22,4 | 4.312 / 36,2 | 3.704 / 30,2 | 6.344 / 49 | 3.768 / 30,2 | 6.456 / 49 | 5,1 | 5,5 |
| 40°, R 3.012,5 | 2.754 / 25,2 | 4.716 / 40,8 | 2.826 / 25,2 | 4.851 / 40,8 | 4.167 / 34 | 7.137 / 55,1 | 4.239 / 34 | 7.263 / 55,1 | 5,5 | 5,8 |

Alle Lumenangaben für 4000K, CRI>80, Gehäusefarbe weiß
 All lumen values for 4000K, CRI>80, housing colour white
 Toutes les données de lumens pour 4000K, CRI>80, couleur du boîtier blanc

ROUND90

HÄNGELEUCHE | PENDANT LUMINAIRE | LUMINAIRE SUSPENSION



Runde LED-Flächenleuchte zur Hängemontage. Direktstrahlend oder direkt-indirektstrahlend. Gehäuse aus gerolltem Aluminiumprofil, nahtlos verschweißt. Fertigung der Leuchte in vier Durchmessern: 350, 450, 650 und 950 mm mit einer Gesamthöhe von 90 mm. Oberfläche pulverbeschichtet feinstruktur matt ähnlich RAL 9016 weiß, RAL 9006 silber oder RAL 9005 schwarz – auf Anfrage in RAL nach Wahl. Die durchdachte Konstruktion der Leuchte ermöglicht ein Design in zahlreichen Farbkombinationen – zwischen Gehäusefarbe und Dekorring kann beliebig kombiniert werden. Um der Leuchtenfamilie neben den Standardfarben einen dekorativen Touch zu verleihen, steht der Dekorring auch in den strukturierten Spezialoberflächen schlaggold, schlagsilber und schlagbronze zur Auswahl. Diffusor in PMMA wahlweise opal, mikroprismatisch inkl. Streufolie oder nur mikroprismatisch (office special) für eine reduzierte Leuchtdichte (UGR<19). Leuchte inkl. weißem, rundem Deckenbaldachin mit transparentem Einspeisekabel. Abhängung wählbar zwischen einem individuell kürzbaren starren Pendenrohr (R) oder den 3 Seilabhängungen Standard (H), Zentral (Z) oder Y-Abhängung (Y). Schnellspanner bei den Seilvarianten an der Leuchte zur stufenlosen Regulierung der Montagehöhe. Pendenrohr und dazugehöriger Baldachin in Gehäusefarbe. Der LED-Treiber ist im Leuchtengehäuse integriert – wahlweise als on/off oder DALI-Variante. Farbtemperaturen 2700K, 3000K, 4000K oder dynamisch Weiß (2700K-6500K) – Farbwiedergabe CRI>80 oder CRI>90 – Mac Adam ≤3. Weitere Steuerungsoptionen oder Lichtfarben auf Anfrage möglich. Außerdem ist die Integration vieler Komponenten, wie beispielsweise Notlicht oder Sensortechnologie, sowie eine Vielzahl weiterer Optionen möglich.

Round LED luminaire for pendant mounting. Direct beam or direct-indirect beam. Housing made of rolled aluminium profile, seamlessly welded. Luminaire manufactured in four diameters: 350, 450, 650 and 950 mm with a total height of 90 mm. Surface powder coated fine structure matt similar to RAL 9016 white, RAL 9006 silver or RAL 9005 black - on request in RAL of choice. The sophisticated construction of the luminaire allows a design in numerous colour combinations - any combination of housing colour and decorative ring is possible. To give the luminaire family a decorative touch in addition to the standard colours, the decorative ring is also available in the special textured surfaces beaten gold, beaten silver and beaten bronze. Diffuser in PMMA either opal, microprism incl. diffuser foil or only microprism (office special) for reduced luminance (UGR<19). Luminaire incl. white, round ceiling canopy with transparent feeding cable. Suspension can be selected between an individually shortenable stiff suspension rod (R) or the 3 wire suspensions standard (H), central (Z) or Y-suspension (Y). Quick-release clamps on the cable versions on the luminaire for infinitely variable adjustment of the mounting height. Suspension rod and matching canopy in the same colour as the housing. The LED driver is integrated in the luminaire housing - either as on/off or DALI version. Colour temperatures 2700K, 3000K, 4000K or dynamic white (2700K-6500K) - colour rendering CRI>80 or CRI>90 - Mac Adam ≤3. Further control options or light colours available on request. In addition, the integration of many components, such as emergency lighting or sensor technology, as well as a variety of other options is possible.

Suspension runde LED. Éclairage direct ou éclairage direct-indirect. Boîtier en profilé d'aluminium roulé, soudé sans soudure. Fabrication du luminaire en quatre diamètres : 350, 450, 650 et 950 mm avec une hauteur totale de 90 mm. Surface revêtue par poudre à structure fine mate similaire à RAL 9016 blanc, RAL 9006 argent ou RAL 9005 noir - sur demande en RAL au choix. La construction bien pensée du luminaire permet un design dans de nombreuses combinaisons de couleurs - il est possible de combiner à volonté entre la couleur du boîtier et l'anneau décoratif. Pour donner à la famille de luminaires une touche décorative en plus des couleurs standard, l'anneau décoratif est également disponible dans les surfaces spéciales structurées or choc, argent choc et bronze choc. Diffuseur en PMMA au choix opale, microprismatique y compris feuille diffusante ou uniquement microprismatique (office special) pour un éblouissement réduit (UGR<19). de plafond rond blanc avec câble d'alimentation transparent. Suspension au choix entre un tube de rigide pouvant être raccourci individuellement (R) ou par câble : standard (H), centrale (Z) ou en Y (Y). Tendeur rapide pour les variantes de câble sur le luminaire pour un réglage en continu de la hauteur de montage. Tube de suspension correspondant à la couleur du boîtier. Le driver LED est intégré dans le boîtier du luminaire - au choix en version on/off ou DALI. Températures de couleur 2700K, 3000K, 4000K ou blanc dynamique (2700K-6500K) - Rendu des couleurs CRI>80 ou CRI>90 - Mac Adam ≤3. Autres options de commande ou couleurs de lumière possibles sur demande. En outre, l'intégration de nombreux composants, tels que l'éclaira.

ÜBERSICHT | OVERVIEW | VUE D'ENSEMBLE

| TECHNICAL DATA | |
|--|--|
| 2700K / 3000K / 4000K / 2700-6500K | |
| CRI>80 / CRI>90 | |
| MacAdam ≤ 3 | |
| up to 174 lm/W | |
| on-off / DALI | |
| direct / direct + indirect | |
| opal / microprism / office special (UGR <19) | |
| HOUSING COLOUR | |
| schwarz black noir RAL 9005 | |
| silber silver argent RAL 9006 | |
| weiß white blanc RAL 9016 | |
| RAL-Farbe nach Wahl auf Anfrage RAL colour of your choice on demand Couleur RAL de votre choix sur demande | |

| LIFETIME | |
|--|--|
| L80B10 50.000h | |
| DECORATION RING COLOUR | |
| schwarz black noir RAL 9005 | |
| silber silver argent RAL 9006 | |
| weiß white blanc RAL 9016 | |
| RAL-Farbe nach Wahl auf Anfrage RAL colour of your choice on demand Couleur RAL de votre choix sur demande | |

| OPTIONS | |
|--|--|
| emergency lighting | |
| motion and day-light sensor | |
| many more on demand | |
| LED | |
| CRI >80 | |
| CRI >90 | |
| IP20/50 | |
| DALI | |
| ≤3 | |
| >50.000 h | |
| schlaggold beaten gold or texturés | |
| schlagsilber beaten silver argent texturés | |
| schlagbronze beaten bronze bronze texturés | |

HÄNGELEUCHTE „ROUND90“
 PENDANT LUMINAIRE “ROUND90”
 LUMINAIRE SUSPENSION « ROUND90 »

Bestellbeispiel | Example order | Exemple de commande

Y-Suspension, 350 mm, CRI>90, 4000K, direct, low output on/off, black, beaten gold, microprism

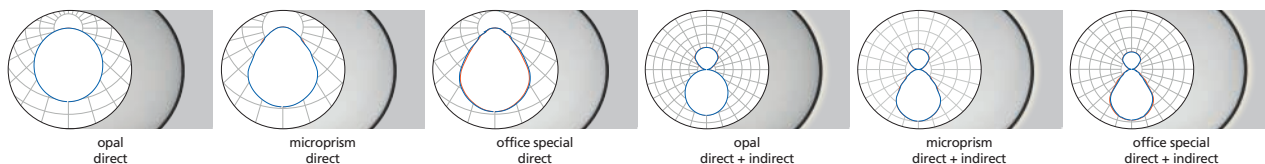
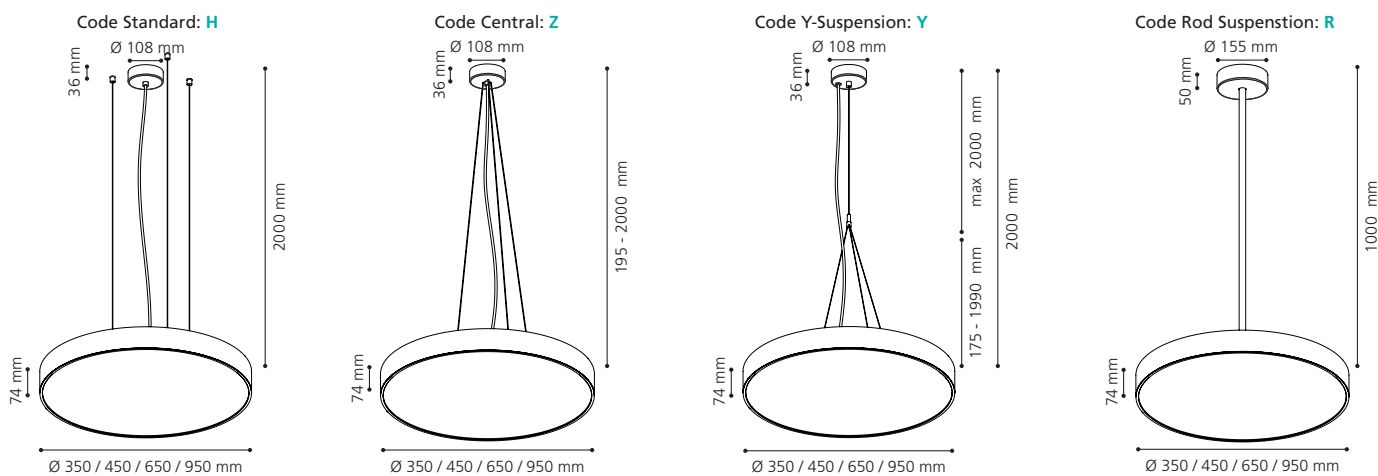
RO90Y - 359401 - LOBGM

1 2 3 4 5 6 7 8 9

| | | |
|----------|---|-----------|
| 1 | ABHÄNGUNG SUSPENSION SUSPENSION | |
| | Standard | H |
| | Central | Z |
| | Y-Suspension | Y |
| | Rod Suspension | R |
| 2 | DURCHMESSER DIAMETER DIAMÈTRE | |
| | 350 mm | 35 |
| | 450 mm | 45 |
| | 650 mm | 65 |
| | 950 mm | 95 |
| 3 | FARBWIEDERGABE COLOUR RENDERING RENDU DES COULEURS | |
| | CRI>80 | 8 |
| | CRI>90 | 9 |

| | | |
|----------|--|-----------|
| 4 | FARBTEMPERATUR COLOUR TEMPERATURE TEMPÉRATURE DE COULEUR | |
| | 2700K (CRI>90 only) | 27 |
| | 3000K | 30 |
| | 4000K | 40 |
| | 2700-6500K (CRI>90 only) | DW |
| 5 | LICHTVERTEILUNG LIGHT DISTRIBUTION DISTRIBUTION DE LA LUMIÈRE | |
| | direct | 1 |
| | direct + indirect | 2 |
| 6 | LEISTUNG & STEUERUNG OUTPUT & CONTROL SORTIE & CONTRÔLE | |
| | low output on/off | LO |
| | low output DALI | LD |
| | high output on/off | HO |
| | high output DALI | HD |
| | dynamic white DALI DT8 | DW |

| | | |
|----------|--|----------|
| 7 | GEHÄUSEFARBE HOUSING COLOUR COULEUR DU BOÎTIER | |
| | black RAL9005 | B |
| | silver RAL9006 | S |
| | white RAL9016 | W |
| 8 | DEKORRING FARBE DECORATION RING COLOUR BAGUE DÉCORATIVE COULEUR | |
| | black RAL9005 | B |
| | silver RAL9006 | S |
| | white RAL9016 | W |
| | beaten gold | G |
| | beaten silver | A |
| | beaten bronze | C |
| 9 | DIFFUSOR DIFFUSER DIFFUSEUR | |
| | opal | O |
| | microprism | M |
| | office special | B |



| Size [mm] | opal direct | | microprism direct | | office special direct | | opal direct + indirect | | microprism direct + indirect | | office special direct + indirect | | KG |
|-----------|-----------------------|------------------------|-----------------------|------------------------|-----------------------|------------------------|------------------------|------------------------|------------------------------|------------------------|----------------------------------|------------------------|------|
| | low output [lm] / [W] | high output [lm] / [W] | low output [lm] / [W] | high output [lm] / [W] | low output [lm] / [W] | high output [lm] / [W] | low output [lm] / [W] | high output [lm] / [W] | low output [lm] / [W] | high output [lm] / [W] | low output [lm] / [W] | high output [lm] / [W] | |
| Ø 350 | 1.158 / 8,5 | 1.826 / 13 | 1.077 / 8,5 | 1.697 / 13 | 1.213 / 8,5 | 1.905 / 13 | 1.747 / 12 | 2.625 / 17,5 | 1.661 / 12 | 2.493 / 17,5 | 1.795 / 12 | 2.691 / 17,5 | 3,8 |
| Ø 450 | 2.257 / 15,5 | 3.561 / 23,5 | 2.099 / 15,5 | 3.309 / 23,5 | 2.364 / 15,5 | 3.715 / 23,5 | 3.207 / 21 | 4.820 / 30 | 3.050 / 21 | 4.577 / 30 | 3.295 / 21 | 4.941 / 30 | 5,0 |
| Ø 650 | 4.114 / 27 | 6.489 / 41 | 3.825 / 27 | 6.029 / 41 | 4.309 / 27 | 6.770 / 41 | 5.534 / 35 | 8.317 / 51 | 5.263 / 35 | 7.897 / 51 | 5.687 / 35 | 8.526 / 51 | 8,0 |
| Ø 950 | 9.102 / 57 | 14.360 / 86 | 8.466 / 57 | 13.342 / 86 | 8.466 / 57 | 13.342 / 86 | 11.036 / 68 | 16.585 / 99 | 10.494 / 68 | 15.748 / 99 | 11.342 / 68 | 17.004 / 99 | 19,5 |

Alle Lumenangaben für 4000K, CRI>80, Gehäusefarbe weiß
 All lumen values for 4000K, CRI>80, housing colour white
 Toutes les données de lumens pour 4000K, CRI>80, couleur du boîtier blanc

SQUARE90

HÄNGELEUCHE | PENDANT LUMINAIRE | LUMINAIRE SUSPENSION



Quadratische LED-Flächenleuchte zur Hängemontage. Direktstrahlend oder direkt-indirektstrahlend. Gehäuse aus Aluminiumprofil, nahtlos verschweißt. Fertigung der Leuchte in vier Größen: 350, 450, 650 und 950 mm mit einer Gesamthöhe von 90 mm. Oberfläche pulverbeschichtet feinstruktur matt ähnlich RAL 9016 weiß, RAL 9006 silber oder RAL 9005 schwarz – auf Anfrage in RAL nach Wahl. Die durchdachte Konstruktion der Leuchte ermöglicht ein Design in zahlreichen Farbkombinationen – zwischen Gehäusefarbe und Dekorring kann beliebig kombiniert werden. Um der Leuchtenfamilie neben den Standardfarben einen dekorativen Touch zu verleihen, steht der Dekorring auch in den strukturierten Spezialoberflächen schlaggold, schlagsilber und schlagbronze zur Auswahl. Diffuser in PMMA wahlweise opal, mikroprismatisch inkl. Streufolie oder nur mikroprismatisch (office special) für eine reduzierte Leuchtdichte (UGR<19). Leuchte inkl. weißem, rundem Deckenbaldachin mit transparentem Einspeisekabel. Abhängung wählbar zwischen einem individuell kürzbaren starren Pendenrohr (R) oder den 3 Seilabhängungen Standard (H), Zentral (Z) oder Y-Abhängung (Y). Schnellspanner bei den Seilvarianten an der Leuchte zur stufenlosen Regulierung der Montagehöhe. Pendenrohr und dazugehöriger Baldachin in Gehäusefarbe. Der LED-Treiber ist im Leuchtgehäuse integriert – wahlweise als on/off oder DALI-Variante. Farbtemperaturen 2700K, 3000K, 4000K oder dynamisch Weiß (2700K-6500K) – Farbwiedergabe CRI>80 oder CRI>90 – Mac Adam ≤3. Weitere Steuerungsoptionen oder Lichtfarben auf Anfrage möglich. Außerdem ist die Integration vieler Komponenten, wie beispielsweise Notlicht oder Sensortechnologie, sowie eine Vielzahl weiterer Optionen möglich.

Square LED luminaire for pendant mounting. Direct beam or direct-indirect beam. Housing made of aluminium profile, seamlessly welded. Luminaire manufactured in four sizes: 350, 450, 650 and 950 mm with a total height of 90 mm. Surface powder coated fine structure matt similar to RAL 9016 white, RAL 9006 silver or RAL 9005 black - on request in RAL of choice. The sophisticated construction of the luminaire allows a design in numerous colour combinations - any combination of housing colour and decorative ring is possible. To give the luminaire family a decorative touch in addition to the standard colours, the decorative ring is also available in the special textured surfaces of beaten gold, beaten silver and beaten bronze. Diffuser in PMMA either opal, microprism incl. diffuser foil or only microprism (office special) for reduced luminance (UGR<19). Luminaire incl. white, round ceiling canopy with transparent feeding cable. Suspension can be selected between an individually shortenable stiff suspension rod (R) or the 3 wire suspensions standard (H), central (Z) or Y-suspension (Y). Quick-release clamps on the cable versions on the luminaire for infinitely variable adjustment of the mounting height. Suspension rod and matching canopy in the same colour as the housing. The LED driver is integrated in the luminaire housing - either as on/off or DALI version. Colour temperatures 2700K, 3000K, 4000K or dynamic white (2700K-6500K) - colour rendering CRI>80 or CRI>90 - Mac Adam ≤3. Further control options or light colours available on request. In addition, the integration of many components, such as emergency lighting or sensor technology, as well as a variety of other options is possible.

Suspension carrée LED. Éclairage direct ou direct-indirect. Boîtier en profilé d'aluminium, soudé sans soudure. Fabrication du luminaire en quatre dimensions : 350, 450, 650 et 950 mm avec une hauteur totale de 90 mm. Surface revêtue par poudre à structure fine mate similaire à RAL 9016 blanc, RAL 9006 argent ou RAL 9005 noir - sur demande en RAL au choix. La construction bien pensée du luminaire permet un design dans de nombreuses combinaisons de couleurs - il est possible de combiner à volonté entre la couleur du boîtier et l'anneau décoratif. Pour donner à la famille de luminaires une touche décorative en plus des couleurs standard, l'anneau décoratif est également disponible dans les surfaces spéciales structurées or choc, argent choc et bronze choc. Diffuseur en PMMA au choix opale, microprismatique y compris feuille diffuseuse ou uniquement microprismatique (office special) pour un éblouissement réduit (UGR<19). Luminaire de plafond rond blanc avec câble d'alimentation transparent. Suspension au choix entre un tube rigide pouvant être raccourci individuellement (R) ou par câble : standard (H), centrale (Z) ou en Y (Y). Tendeur rapide pour les variantes de câble sur le luminaire pour un réglage en continu de la hauteur de montage. Tube de suspension correspondant dans la couleur du boîtier. Le driver LED est intégré dans le boîtier du luminaire - au choix en version on/off ou DALI. Températures de couleur 2700K, 3000K, 4000K ou blanc dynamique (2700K-6500K) - Rendu des couleurs CRI>80 ou CRI>90 - Mac Adam ≤3. Autres options de commande ou couleurs de lumière possibles sur demande. En outre, l'intégration de nombreux composants, tels que l'éclairage de secours ou la technologie des capteurs, une multitude d'autres options sont possibles.

ÜBERSICHT | OVERVIEW | VUE D'ENSEMBLE

| TECHNICAL DATA |
|--|
| 2700K / 3000K / 4000K / 2700-6500K |
| CRI>80 / CRI>90 |
| MacAdam ≤ 3 |
| up to 175 lm/W |
| on-off / DALI |
| direct / direct + indirect |
| opal / microprism / office special (UGR <19) |

| LIFETIME |
|----------------|
| L80B10 50.000h |

| OPTIONS |
|-----------------------------|
| emergency lighting |
| motion and day-light sensor |
| many more on demand |

| HOUSING COLOUR | |
|--|--|
| schwarz black noir RAL 9005 | |
| silber silver argent RAL 9006 | |
| weiß white blanc RAL 9016 | |
| RAL-Farbe nach Wahl auf Anfrage RAL colour of your choice on demand Couleur RAL de votre choix sur demande | |

| DECORATION RING COLOUR | | | |
|--|--|--|--|
| schwarz black noir RAL 9005 | | schlaggold beaten gold or texturés | |
| silber silver argent RAL 9006 | | schlagsilber beaten silver argent texturés | |
| weiß white blanc RAL 9016 | | schlagbronze beaten bronze bronze texturés | |
| RAL-Farbe nach Wahl auf Anfrage RAL colour of your choice on demand Couleur RAL de votre choix sur demande | | | |

| | | | | | | | |
|--|-----|-----|---------|--|------|----|-----------|
| | | | | | | | |
| | >80 | >90 | IP20/50 | | DALI | ≤3 | >50.000 h |

HÄNGELEUCHTE „SQUARE90“
 PENDANT LUMINAIRE “SQUARE90”
 LUMINAIRE SUSPENSION « SQUARE90 »

Bestellbeispiel | Example order | Exemple de commande

Y-Suspension, 350 mm, CRI>90, 4000K, direct, low output on/off, white, beaten gold, microprism

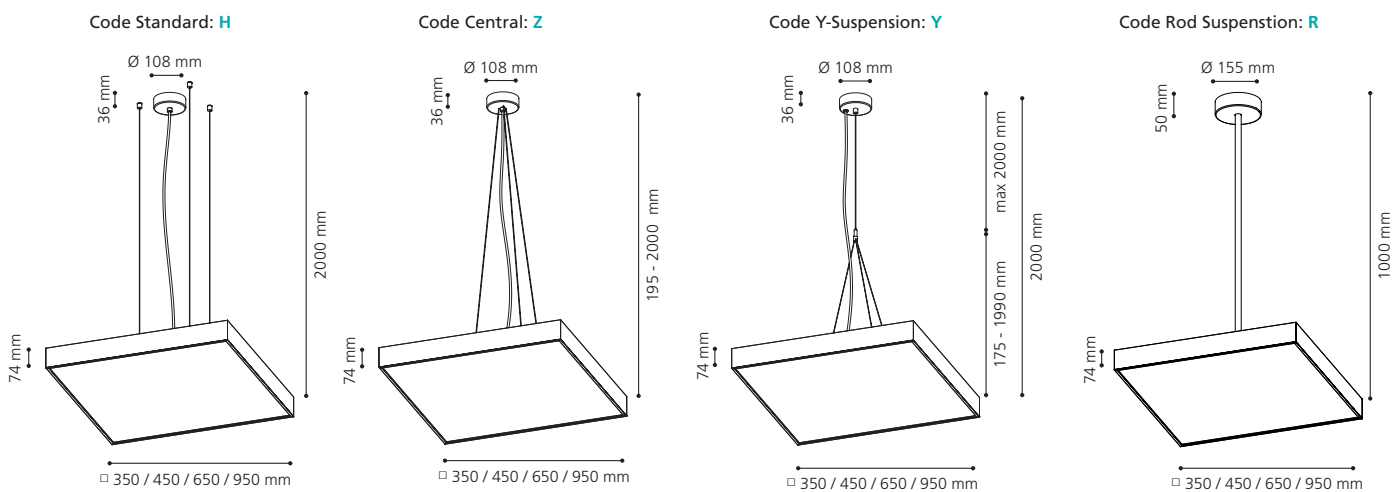
SQ90Y - 359401 - LOWGM

1 2 3 4 5 6 7 8 9

| | | |
|----------|---|-----------|
| 1 | ABHÄNGUNG SUSPENSION SUSPENSION | |
| | Standard | H |
| | Central | Z |
| | Y-Suspension | Y |
| | Rod Suspension | R |
| 2 | GRÖSSE SIZE TAILLE | |
| | 350 x 350 mm | 35 |
| | 450 x 450 mm | 45 |
| | 650 x 650 mm | 65 |
| | 950 x 950 mm | 95 |
| 3 | FARBWIEDERGABE COLOUR RENDERING RENDU DES COULEURS | |
| | CRI>80 | 8 |
| | CRI>90 | 9 |

| | | |
|----------|--|-----------|
| 4 | FARBTEMPERATUR COLOUR TEMPERATURE TEMPÉRATURE DE COULEUR | |
| | 2700K (CRI>90 only) | 27 |
| | 3000K | 30 |
| | 4000K | 40 |
| | 2700-6500K (CRI>90 only) | DW |
| 5 | LICHTVERTEILUNG LIGHT DISTRIBUTION DISTRIBUTION DE LA LUMIÈRE | |
| | direct | 1 |
| | direct + indirect | 2 |
| 6 | LEISTUNG & STEUERUNG OUTPUT & CONTROL SORTIE & CONTRÔLE | |
| | low output on/off | LO |
| | low output DALI | LD |
| | high output on/off | HO |
| | high output DALI | HD |
| | dynamic white DALI DT8 | DW |

| | | |
|----------|--|----------|
| 7 | GEHÄUSEFARBE HOUSING COLOUR COULEUR DU BOÎTIER | |
| | black RAL9005 | B |
| | silver RAL9006 | S |
| | white RAL9016 | W |
| 8 | DEKORRING FARBE DECORATION RING COLOUR BAGUE DÉCORATIVE COULEUR | |
| | black RAL9005 | B |
| | silver RAL9006 | S |
| | white RAL9016 | W |
| | beaten gold | G |
| | beaten silver | A |
| | beaten bronze | C |
| 9 | DIFFUSOR DIFFUSER DIFFUSEUR | |
| | opal | O |
| | microprism | M |
| | office special | B |



| Size [mm] | opal direct | | microprism direct | | office special direct | | opal direct + indirect | | microprism direct + indirect | | office special direct + indirect | | kg |
|-----------|-----------------------|------------------------|-----------------------|------------------------|-----------------------|------------------------|------------------------|------------------------|------------------------------|------------------------|----------------------------------|------------------------|------|
| | low output [lm] / [W] | high output [lm] / [W] | low output [lm] / [W] | high output [lm] / [W] | low output [lm] / [W] | high output [lm] / [W] | low output [lm] / [W] | high output [lm] / [W] | low output [lm] / [W] | high output [lm] / [W] | low output [lm] / [W] | high output [lm] / [W] | |
| □ 350 | 1.349 / 9,9 | 2.365 / 16,7 | 1.256 / 9,9 | 2.208 / 16,7 | 1.402 / 9,9 | 2.470 / 16,7 | 2.029 / 13,8 | 3.488 / 23,1 | 1.923 / 13,8 | 3.308 / 23,1 | 2.081 / 13,8 | 3.579 / 23,1 | 4,4 |
| □ 450 | 2.288 / 15,4 | 4.011 / 26 | 2.130 / 15,4 | 3.744 / 26 | 2.377 / 15,4 | 4.189 / 26 | 3.236 / 20,7 | 5.563 / 34,6 | 3.067 / 20,7 | 5.276 / 34,6 | 3.319 / 20,7 | 5.709 / 34,6 | 5,8 |
| □ 650 | 4.711 / 30,5 | 8.258 / 51,6 | 4.385 / 30,5 | 7.708 / 51,6 | 4.894 / 30,5 | 8.624 / 51,6 | 5.845 / 37 | 10.048 / 61,8 | 5.845 / 37 | 9.530 / 61,8 | 5.995 / 37 | 10.312 / 61,8 | 9,8 |
| □ 950 | 9.868 / 60,9 | 17.299 / 102,8 | 9.187 / 60,9 | 16.148 / 102,8 | 10.252 / 60,9 | 18.067 / 102,8 | 10.918 / 67,4 | 18.770 / 112,6 | 10.348 / 67,4 | 17.801 / 112,6 | 11.198 / 67,4 | 19.262 / 112,6 | 23,9 |

Alle Lumenangaben für 4000K, CRI>80, Gehäusefarbe weiß
 All lumen values for 4000K, CRI>80, housing colour white
 Toutes les données de lumens pour 4000K, CRI>80, couleur du boîtier blanc

OVERVIEW

WANDLEUCHTEN | WALL LUMINAIRES | *APPLIQUES MURALES*



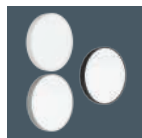
LINE40
130



LINE50
132



LINE70
134



ROUND90
136



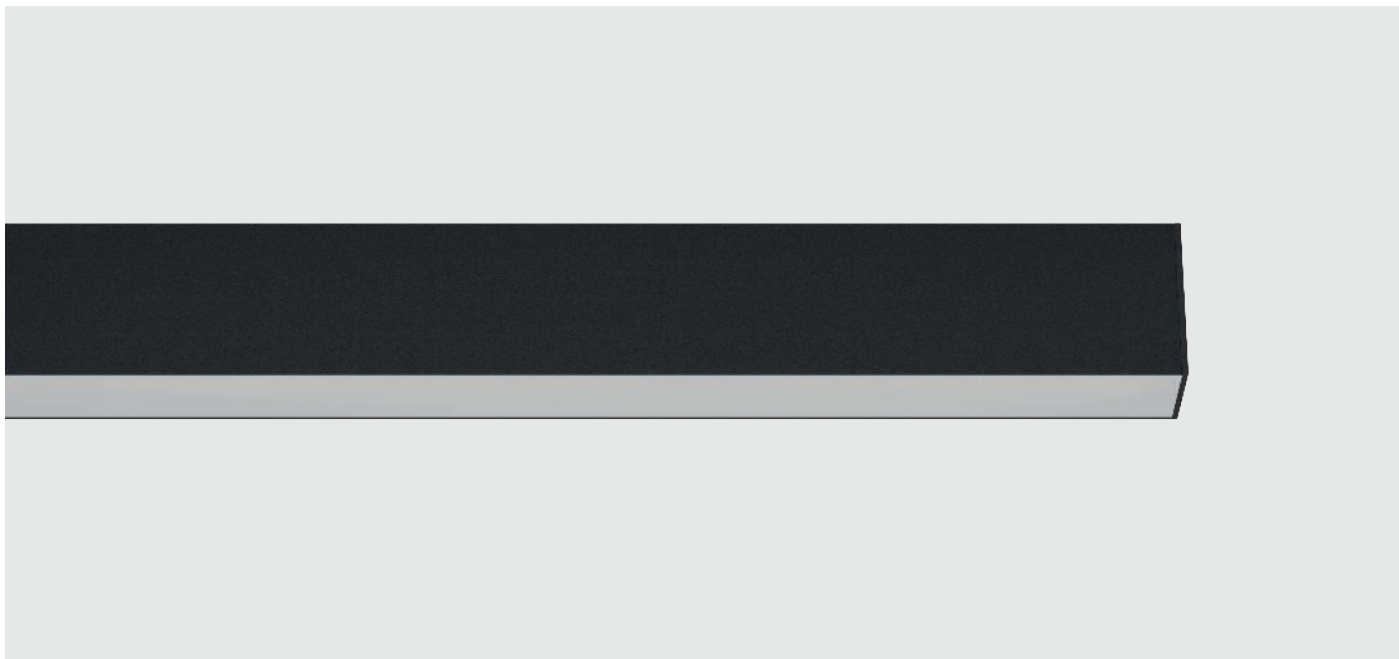
SQUARE90
138

WANDLEUCHTEN

WALL LUMINAIRES
APPLIQUES MURALES

LINE40

WANDLEUCHTE | WALL LUMINAIRE | APPLIQUE MURALE



LED-Wandleuchte direktstrahlend oder direkt-indirektstrahlend. Lichtkanal aus Aluminium-Strangpressprofil mit einer Breite von 41 mm. Fertigung der Leuchtenlänge millimetergenau auf Kundenwunsch möglich. Oberfläche der Leuchte feinstruktur matt pulverbeschichtet ähnlich RAL 9016 weiß, RAL 9006 silber oder RAL 9005 schwarz – auf Anfrage in RAL nach Wahl. Diffusor wahlweise in PMMA opal oder PMMA klar mit eingeschobener mikroprismatischer Platte für eine reduzierte Leuchtdichte (UGR<19). Leuchte inkl. speziellem schnellmontage-Wandbaldachin (Montage mittels Stecker und Gegenstecker). Der LED-Treiber ist im Leuchtgehäuse integriert – wahlweise als on/off oder DALI-Variante. Farbtemperaturen 2700K, 3000K, 4000K – Farbwiedergabe CRI>80 oder CRI>90 – Mac Adam ≤3. Weitere Steuerungsoptionen oder Lichtfarben auf Anfrage erhältlich. Außerdem ist die Integration vieler Komponenten, wie beispielsweise Notlicht oder Sensortechnologie, sowie eine Vielzahl weiterer Optionen möglich.

Wall-mounted LED luminaire with direct beam or direct-indirect beam. Light channel made of extruded aluminium profile with a width of 41 mm. Luminaire length can be manufactured to the exact millimetre on customer request. Surface of the luminaire fine structure matt powder coated similar to RAL 9016 white, RAL 9006 silver or RAL 9005 black - on request in RAL of choice. Diffuser either in PMMA opal or PMMA clear with inserted microprismatic plate for reduced luminance (UGR<19). Luminaire incl. special quick-mount wall canopy (mounting with plug and counterplug). The LED driver is integrated in the luminaire housing - either as on/off or DALI version. Colour temperatures 2700K, 3000K, 4000K - colour rendering CRI>80 or CRI>90 - Mac Adam ≤3. Further control options or light colours available on request. In addition, the integration of many components, such as emergency lighting or sensor technology, as well as a variety of other options is possible.

Luminaire LED mural à éclairage direct ou direct-indirect. Canal lumineux en profilé d'aluminium extrudé d'une largeur de 41 mm. Fabrication de la longueur du luminaire au millimètre près possible sur demande du client. Surface du luminaire à structure fine, revêtement par poudre mat similaire à RAL 9016 blanc, RAL 9006 argent ou RAL 9005 noir - sur demande en RAL au choix. Diffuseur au choix en PMMA opale ou en PMMA transparent avec plaque microprismatique insérée pour un éblouissement réduit (UGR<19). Luminaire avec A mural spécial à montage rapide (montage au moyen d'une fiche et d'une contre-fiche). Le pilote LED est intégré dans le boîtier du luminaire - au choix sous forme de variante on/off ou DALI. Températures de couleur 2700K, 3000K, 4000K - Rendu des couleurs CRI>80 ou CRI>90 - Mac Adam ≤3. Autres options de commande ou couleurs de lumière disponibles sur demande. En outre, l'intégration de nombreux composants, tels que l'éclairage de secours ou des capteurs, une multitude d'autres options sont possibles.

ÜBERSICHT | OVERVIEW | VUE D'ENSEMBLE

| TECHNICAL DATA |
|----------------------------------|
| 2700K / 3000K / 4000K |
| CRI>80 / CRI>90 |
| MacAdam ≤ 3 |
| up to 143 lm/W, up to 6.241 lm/m |
| on-off / DALI |
| direct / direct + indirect |
| opal / microprism (UGR <19) |

| HOUSING COLOUR | |
|--|--|
| schwarz black noir RAL 9005 | |
| silber silver argent RAL 9006 | |
| weiß white blanc RAL 9016 | |
| RAL-Farbe nach Wahl auf Anfrage RAL colour of your choice on demand Couleur RAL de votre choix sur demande | |

| LIFETIME |
|----------------|
| L80B10 50.000h |

| OPTIONS |
|-----------------------------|
| emergency lighting |
| motion and day-light sensor |
| many more on demand |



WANDLEUCHTE „LINE40“
WALL LUMINAIRE “LINE40”
APPLIQUE MURALE « LINE40 »

Bestellbeispiel | Example order | Exemple de commande
 3.372 mm, CRI>90, 4000K, direct + indirect, low output on/off, black, microprism

LI40W - 339402 - LOBLM

1 2 3 4 5 6 7

| 1 LÄNGE LENGTH LONGEUR | |
|------------------------------|----|
| 571 mm | 05 |
| 851 mm | 08 |
| 1.131 mm | 11 |
| 1.271 mm | 12 |
| 1.411 mm | 14 |
| 1.691 mm | 16 |
| 2.251 mm | 22 |
| 2.531 mm | 25 |
| 2.812 mm | 28 |
| 3.372 mm | 33 |
| 3.792 mm | 37 |

| 2 FARBWIEDERGABE COLOUR RENDERING RENDU DES COULEURS | |
|--|---|
| CRI>80 | 8 |
| CRI>90 | 9 |

| 3 FARBTEMPERATUR COLOUR TEMPERATURE TEMPÉRATURE DE COULEUR | |
|--|----|
| 2700K (CRI>90 only) | 27 |
| 3000K | 30 |
| 4000K | 40 |

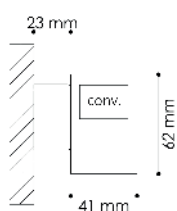
| 4 LICHTVERTEILUNG LIGHT DISTRIBUTION DISTRIBUTION DE LA LUMIÈRE | |
|---|---|
| direct | 1 |
| direct + indirect | 2 |

| 5 LEISTUNG & STEUERUNG OUTPUT & CONTROL SORTIE & CONTRÔLE | |
|---|----|
| low output on/off | LO |
| low output DALI | LD |
| high output on/off | HO |
| high output DALI | HD |

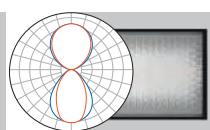
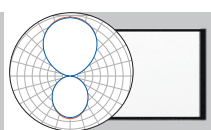
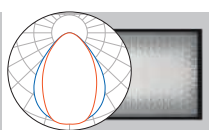
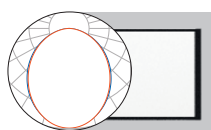
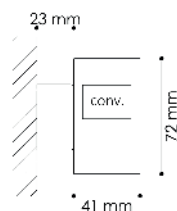
| 6 GEHÄUSEFARBE HOUSING COLOUR COULEUR DU BOÏTIER | |
|--|----|
| silver RAL9006 | SI |
| white RAL9016 | WH |
| black RAL9005 | BL |

| 7 DIFFUSOR DIFFUSER DIFFUSEUR | |
|-------------------------------------|---|
| opal | O |
| microprism | M |

direct



direct + indirect



| Size [mm] | opal direct | | microprism direct | | opal direct + indirect | | microprism direct + indirect | | direct | direct + indirect |
|-----------|-----------------------|------------------------|-----------------------|------------------------|------------------------|------------------------|------------------------------|------------------------|--------|-------------------|
| | low output [lm] / [W] | high output [lm] / [W] | low output [lm] / [W] | high output [lm] / [W] | low output [lm] / [W] | high output [lm] / [W] | low output [lm] / [W] | high output [lm] / [W] | | |
| 571 | 852 / 8 | 1.439 / 17 | 757 / 8 | 1.503 / 17 | 1.797 / 14 | 3.423 / 29 | 1.763 / 14 | 3.433 / 39 | 1,5 | 2,2 |
| 851 | 1.136 / 12 | 2.158 / 23 | 1.135 / 12 | 2.254 / 23 | 2.650 / 20 | 5.149 / 43 | 2.644 / 20 | 5.149 / 43 | 2,0 | 2,9 |
| 1.131 | 1.514 / 15 | 2.879 / 29 | 1.514 / 15 | 3.005 / 29 | 3.535 / 26 | 6.846 / 55 | 3.527 / 26 | 6.866 / 55 | 2,6 | 3,7 |
| 1.271 | 1.704 / 17 | 3.238 / 33 | 1.703 / 17 | 3.381 / 33 | 3.977 / 29 | 7.702 / 63 | 3.968 / 29 | 7.724 / 63 | 2,8 | 3,9 |
| 1.411 | 1.893 / 18 | 3.599 / 35 | 1.892 / 18 | 3.757 / 35 | 4.419 / 32 | 8.557 / 68 | 4.408 / 32 | 8.582 / 68 | 3,5 | 4,2 |
| 1.691 | 2.272 / 20 | 4.318 / 40 | 2.271 / 20 | 4.508 / 40 | 5.303 / 38 | 10.268 / 82 | 5.289 / 38 | 10.298 / 82 | 4,0 | 4,7 |
| 2.251 | 3.028 / 27 | 5.756 / 53 | 3.028 / 27 | 6.010 / 53 | 7.070 / 50 | 13.692 / 105 | 7.054 / 50 | 13.732 / 105 | 5,0 | 5,7 |
| 2.531 | 3.408 / 30 | 6.475 / 60 | 3.406 / 30 | 6.762 / 60 | 7.954 / 56 | 15.404 / 119 | 7.936 / 56 | 15.448 / 119 | 5,2 | 5,9 |
| 2.812 | 3.786 / 35 | 7.198 / 70 | 3.784 / 35 | 7.514 / 70 | 8.838 / 64 | 17.114 / 136 | 8.816 / 64 | 17.164 / 136 | 6,0 | 7,8 |
| 3.372 | 4.544 / 41 | 8.636 / 81 | 4.542 / 41 | 9.016 / 81 | 10.606 / 77 | 20.536 / 163 | 10.578 / 77 | 20.596 / 163 | 7,6 | 9,2 |
| 3.792 | 5.112 / 46 | 9.715 / 91 | 5.110 / 46 | 10.143 / 91 | 11.932 / 87 | 23.103 / 184 | 11.900 / 87 | 23.140 / 184 | 9,1 | 10,9 |

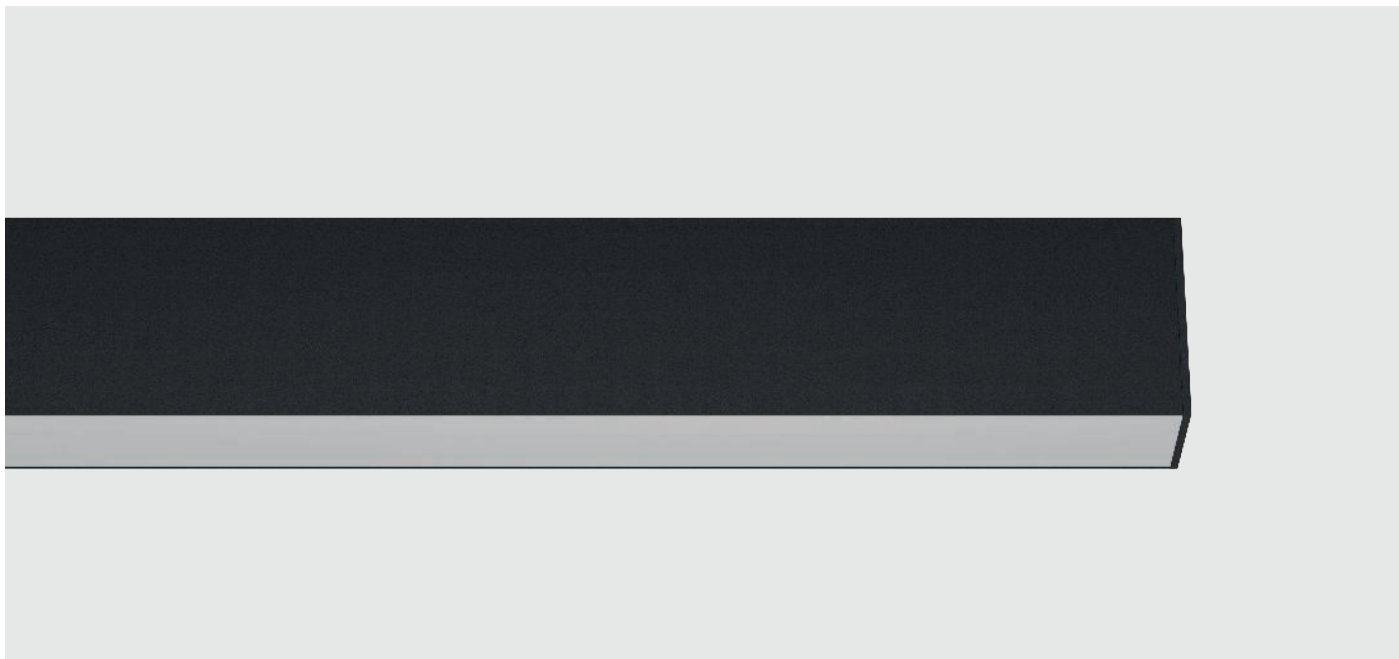
Alle Lumenangaben für 4000K, CRI>80, Microprisma ohne Opalfolie

All lumen values for 4000K, CRI>80, microprism without opal foil

Toutes les données de lumens pour 4000K, CRI>80, microprisme sans feuille opale

LINE50

WANDLEUCHTE | WALL LUMINAIRE | APPLIQUE MURALE



LED-Wandleuchte direktstrahlend oder direkt-indirektstrahlend. Lichtkanal aus Aluminium-Strangpressprofil mit einer Breite von 50 mm. Fertigung der Leuchtenlänge millimetergenau auf Kundenwunsch möglich. Oberfläche der Leuchte feinstruktur matt pulverbeschichtet ähnlich RAL 9016 weiß, RAL 9006 silber oder RAL 9005 schwarz – auf Anfrage in RAL nach Wahl. Diffusor wahlweise in PMMA opal oder PMMA klar mit eingeschobener mikroprismatischer Platte für eine reduzierte Leuchtdichte (UGR<19). Leuchte inkl. speziellem schnellmontage-Wandbaldachin (Montage mittels Stecker und Gegenstecker). Der LED-Treiber ist im Leuchtgehäuse integriert – wahlweise als on/off oder DALI-Variante. Farbtemperaturen 2700K, 3000K, 4000K oder dynamisch Weiß (2700K–6500K) – Farbwiedergabe CRI>80 oder CRI>90 – Mac Adam ≤3. Weitere Steuerungsoptionen oder Lichtfarben auf Anfrage erhältlich. Außerdem ist die Integration vieler Komponenten, wie beispielsweise Notlicht oder Sensortechnologie, sowie eine Vielzahl weiterer Optionen möglich.

Wall-mounted LED luminaire with direct beam or direct-indirect beam. Light channel made of extruded aluminium profile with a width of 50 mm. Luminaire length can be manufactured to the exact millimetre on customer request. Surface of the luminaire fine structure matt powder coated similar to RAL 9016 white, RAL 9006 silver or RAL 9005 black - on request in RAL of choice. Diffuser either in PMMA opal or PMMA clear with inserted microprismatic plate for reduced luminance (UGR<19). Luminaire incl. special quick-mount wall canopy (mounting with plug and counterplug). The LED driver is integrated in the luminaire housing - either as on/off or DALI version. Colour temperatures 2700K, 3000K, 4000K or dynamic white (2700K-6500K) - colour rendering CRI>80 or CRI>90 - Mac Adam ≤3. Further control options or light colours available on request. In addition, the integration of many components, such as emergency lighting or sensor technology, as well as a variety of other options is possible.

Luminaire LED mural à éclairage direct ou direct-indirect. Canal luminaire en profilé d'aluminium extrudé d'une largeur de 50 mm. Fabrication de la longueur du luminaire au millimètre près possible sur demande du client. Surface du luminaire à structure fine, revêtement par poudre mat similaire à RAL 9016 blanc, RAL 9006 argent ou RAL 9005 noir - sur demande en RAL au choix. Diffuseur au choix en PMMA opale ou en PMMA transparent avec plaque microprismatique insérée pour un éblouissement réduit (UGR<19). Luminaire mural spécial à montage rapide (montage au moyen d'une fiche et d'une contre-fiche). Le pilote LED est intégré dans le boîtier du luminaire - au choix sous forme de variante on/off ou DALI. Températures de couleur 2700K, 3000K, 4000K ou blanc dynamique (2700K-6500K) - Rendu des couleurs CRI>80 ou CRI>90 - Mac Adam ≤3. Autres options de commande ou couleurs de lumière disponibles sur demande. En outre, l'intégration de nombreux composants, tels que l'éclairage de secours ou la technologie de détection, une multitude d'autres options sont possibles.

ÜBERSICHT | OVERVIEW | VUE D'ENSEMBLE

TECHNICAL DATA

2700K / 3000K / 4000K / 2700-6500K

CRI>80 / CRI>90

MacAdam ≤ 3

up to 141 lm/W, up to 6.268 lm/m

on-off / DALI

direct / direct + indirect

opal / microprism (UGR <19)

LIFETIME

L80B10 50.000h

OPTIONS

emergency lighting

motion and day-light sensor

many more on demand

HOUSING COLOUR

schwarz | black | noir
RAL 9005



silber | silver | argent
RAL 9006



weiß | white | blanc
RAL 9016



RAL-Farbe nach Wahl auf Anfrage
RAL colour of your choice on demand
Couleur RAL de votre choix sur demande



>80

>90

IP20

DALI

≤3

>50.000 h

WANDLEUCHTE „LINE50“
WALL LUMINAIRE “LINE50”
APPLIQUE MURALE « LINE50 »

Bestellbeispiel | Example order | Exemple de commande
 3.134 mm, CRI>90, 4000K, direct + indirect, low output on/off, black, microprism

LI50W - 319402 - LOBLM

1 2 3 4 5 6 7

| 1 LÄNGE LENGTH LONGEUR | |
|------------------------------|----|
| 612 mm | 06 |
| 972 mm | 09 |
| 1.212 mm | 12 |
| 1.452 mm | 14 |
| 1.692 mm | 16 |
| 1.932 mm | 19 |
| 2.172 mm | 21 |
| 2.412 mm | 24 |
| 2.892 mm | 28 |
| 3.132 mm | 31 |
| 3.854 mm | 38 |

| 2 FARBWIEDERGABE COLOUR RENDERING RENDU DES COULEURS | |
|--|---|
| CRI>80 | 8 |
| CRI>90 | 9 |

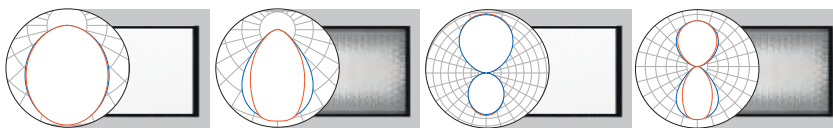
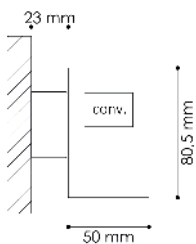
| 3 FARBTEMPERATUR COLOUR TEMPERATURE TEMPÉRATURE DE COULEUR | |
|--|----|
| 2700K (CRI>90 only) | 27 |
| 3000K | 30 |
| 4000K | 40 |
| 2700-6500K (CRI>90 only) | DW |

| 4 LICHTVERTEILUNG LIGHT DISTRIBUTION DISTRIBUTION DE LA LUMIÈRE | |
|---|---|
| direct | 1 |
| direct + indirect | 2 |

| 5 LEISTUNG & STEUERUNG OUTPUT & CONTROL SORTIE & CONTRÔLE | |
|---|----|
| low output on/off | LO |
| low output DALI | LD |
| high output on/off | HO |
| high output DALI | HD |
| dynamic white DALI DT8 | DW |

| 6 GEHÄUSEFARBE HOUSING COLOUR COULEUR DU BOÎTIER | |
|--|----|
| silver RAL9006 | SI |
| white RAL9016 | WH |
| black RAL9005 | BL |

| 7 DIFFUSOR DIFFUSER DIFFUSEUR | |
|-------------------------------------|---|
| opal | O |
| microprism | M |

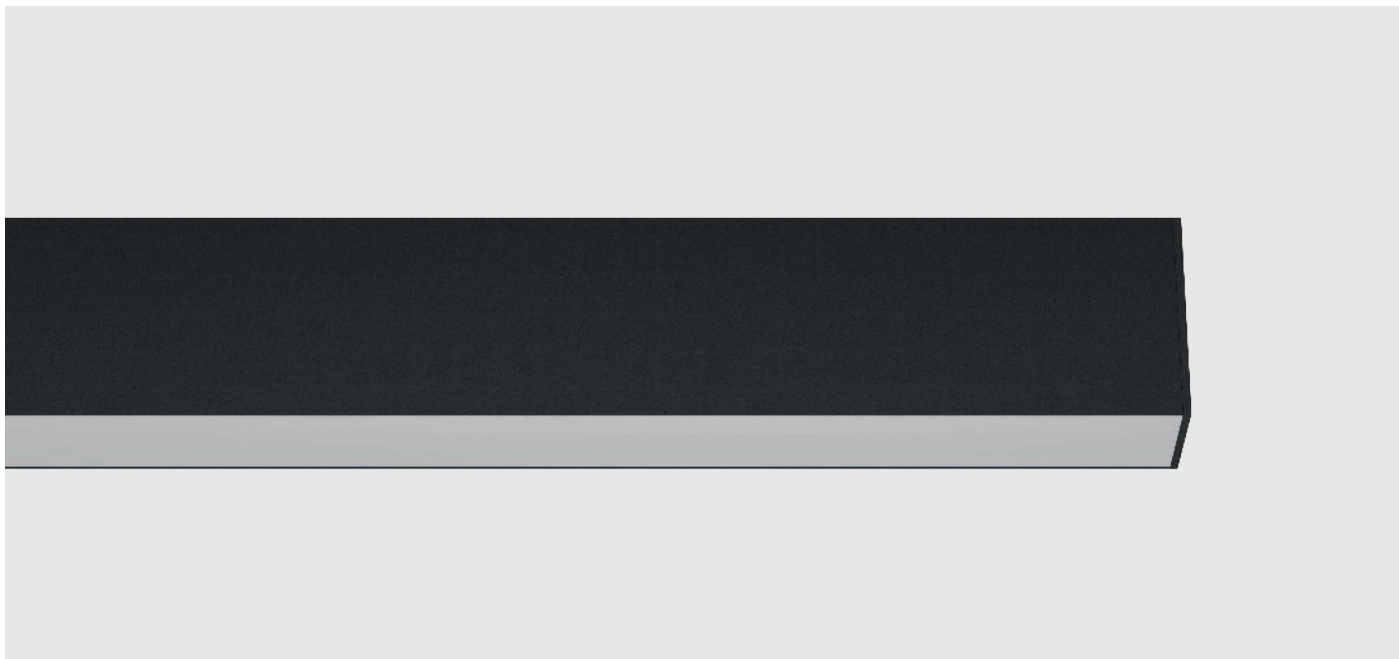


| Size [mm] | opal direct | | microprism direct | | opal direct + indirect | | microprism direct + indirect | | direct | direct + indirect |
|-----------|-----------------------|------------------------|-----------------------|------------------------|------------------------|------------------------|------------------------------|------------------------|--------|-------------------|
| | low output [lm] / [W] | high output [lm] / [W] | low output [lm] / [W] | high output [lm] / [W] | low output [lm] / [W] | high output [lm] / [W] | low output [lm] / [W] | high output [lm] / [W] | KG | KG |
| 612 | 866 / 8,8 | 1.649 / 16,3 | 826 / 8,8 | 1.581 / 16,3 | 1.962 / 16,3 | 3.761 / 30 | 1.923 / 16,3 | 3.668 / 30 | 1,5 | 1,8 |
| 972 | 1386 / 13 | 2.638 / 25 | 1.321 / 13 | 2.530 / 25 | 3.139 / 23,7 | 6.018 / 46,3 | 3.077 / 23,7 | 5.869 / 46,3 | 2,3 | 3 |
| 1.212 | 1.731 / 16,3 | 3.298 / 30 | 1.652 / 16,3 | 3.162 / 30 | 3.924 / 29,1 | 7.522 / 57,2 | 3.845 / 29,1 | 7.336 / 57,2 | 2,9 | 3,6 |
| 1.452 | 2.078 / 18,5 | 3.958 / 35,8 | 1.982 / 18,5 | 3.794 / 35,8 | 4.709 / 34,5 | 9.026 / 68,1 | 4.615 / 34,5 | 8.803 / 68,1 | 3,5 | 4,4 |
| 1.692 | 2.425 / 21,2 | 4.617 / 41,1 | 2.313 / 21,2 | 4.427 / 41,1 | 5.494 / 39,5 | 10.531 / 80,8 | 5.384 / 39,5 | 10.270 / 80,8 | 4,1 | 5,1 |
| 1.932 | 2.772 / 23,7 | 5.277 / 46,3 | 2.642 / 23,7 | 5.059 / 46,3 | 6.278 / 44,6 | 12.035 / 91,7 | 6.154 / 44,6 | 11.738 / 91,7 | 4,6 | 5,8 |
| 2.172 | 3.117 / 26,6 | 5.936 / 52 | 2.974 / 26,6 | 5.692 / 52 | 7.063 / 49,9 | 13.540 / 103 | 6.923 / 49,9 | 13.205 / 103 | 5,2 | 6,5 |
| 2.412 | 3.462 / 29,2 | 6.596 / 57,3 | 3.304 / 29,2 | 6.324 / 57,3 | 7.848 / 56 | 15.044 / 113,1 | 7.690 / 56 | 14.672 / 113,1 | 5,8 | 7,2 |
| 2.892 | 4.156 / 34,3 | 7.915 / 69,6 | 3.964 / 34,3 | 7.589 / 69,6 | 9.418 / 67 | 18.053 / 134,8 | 9.230 / 67 | 17.606 / 134,8 | 7,0 | 8,7 |
| 3.132 | 4.503 / 36,9 | 8.575 / 75,5 | 4.295 / 36,9 | 8.221 / 75,5 | 10.202 / 72,3 | 19.557 / 145,3 | 9.999 / 72,3 | 19.074 / 145,3 | 7,5 | 9,4 |
| 3.854 | 5.544 / 47,4 | 10.554 / 92,6 | 5.284 / 47,4 | 10.118 / 92,6 | 12.556 / 89,2 | 24.070 / 183,4 | 12.308 / 89,2 | 23.476 / 183,4 | 9,3 | 11,7 |

Alle Lumenangaben für 4000K, CRI>80, Microprisma ohne Opalfolie
 All lumen values for 4000K, CRI>80, microprism without opal foil
 Toutes les données de lumens pour 4000K, CRI>80, microprisme sans feuille opale

LINE70

WANDLEUCHTE | WALL LUMINAIRE | APPLIQUE MURALE



LED-Wandleuchte direktstrahlend oder direkt-indirektstrahlend. Lichtkanal aus Aluminium-Strangpressprofil mit einer Breite von 71 mm. Fertigung der Leuchtenlänge millimetergenau auf Kundenwunsch möglich. Oberfläche der Leuchte feinstruktur matt pulverbeschichtet ähnlich RAL 9016 weiß, RAL 9006 silber oder RAL 9005 schwarz – auf Anfrage in RAL nach Wahl. Diffusor wahlweise in PMMA opal oder PMMA klar mit eingeschobener mikroprismatischer Platte für eine reduzierte Leuchtdichte (UGR<19). Leuchte inkl. speziellem schnellmontage-Wandbaldachin (Montage mittels Stecker und Gegenstecker). Der LED-Treiber ist im Leuchtengehäuse integriert – wahlweise als on/off oder DALI-Variante. Farbtemperaturen 2700K, 3000K, 4000K oder dynamisch Weiß (2700K–6500K) – Farbwiedergabe CRI>80 oder CRI>90 – Mac Adam ≤3. Weitere Steuerungsoptionen oder Lichtfarben auf Anfrage erhältlich. Außerdem ist die Integration vieler Komponenten, wie beispielsweise Notlicht oder Sensortechnologie, sowie eine Vielzahl weiterer Optionen möglich.

Wall-mounted LED luminaire with direct beam or direct-indirect beam. Light channel made of extruded aluminium profile with a width of 71 mm. Luminaire length can be manufactured to the exact millimetre on customer request. Surface of the luminaire fine structure matt powder coated similar to RAL 9016 white, RAL 9006 silver or RAL 9005 black – on request in RAL of choice. Diffuser either in PMMA opal or PMMA clear with inserted microprismatic plate for reduced luminance (UGR<19). Luminaire incl. special quick-mount wall canopy (mounting with plug and counterplug). The LED driver is integrated in the luminaire housing - either as on/off or DALI version. Colour temperatures 2700K, 3000K, 4000K or dynamic white (2700K-6500K) - colour rendering CRI>80 or CRI>90 - Mac Adam ≤3. Further control options or light colours available on request. In addition, the integration of many components, such as emergency lighting or sensor technology, as well as a variety of other options is possible.

Luminaire LED mural à éclairage direct ou direct-indirect. Canal lumineux en profilé d'aluminium extrudé d'une largeur de 71 mm. Possibilité de fabriquer la longueur du luminaire au millimètre près sur demande du client. Surface du luminaire à structure fine, revêtement par poudre mat similaire à RAL 9016 blanc, RAL 9006 argent ou RAL 9005 noir - sur demande en RAL au choix. Diffuseur au choix en PMMA opale ou en PMMA transparent avec plaque microprismatique insérée pour un éblouissement réduit (UGR<19). Luminaire mural spécial à montage rapide (montage au moyen d'une fiche et d'une contre-fiche). Le pilote LED est intégré dans le boîtier du luminaire - au choix sous forme de variante on/off ou DALI. Températures de couleur 2700K, 3000K, 4000K ou blanc dynamique (2700K-6500K) - Rendu des couleurs CRI>80 ou CRI>90 - Mac Adam ≤3. Autres options de commande ou couleurs de lumière disponibles sur demande. En outre, l'intégration de nombreux composants, tels que l'éclairage de secours ou la technologie de détection, une multitude d'autres options sont possibles.

ÜBERSICHT | OVERVIEW | VUE D'ENSEMBLE

TECHNICAL DATA

2700K / 3000K / 4000K / 2700-6500K

CRI>80 / CRI>90

MacAdam ≤ 3

up to 161 lm/W, up to 6.958 lm/m

on-off / DALI

direct / direct + indirect

opal / microprism (UGR <19)

LIFETIME

L80B10 50.000h

OPTIONS

emergency lighting

motion and day-light sensor

many more on demand

HOUSING COLOUR

schwarz | black | noir
RAL 9005



silber | silver | argent
RAL 9006



weiß | white | blanc
RAL 9016



RAL-Farbe nach Wahl auf Anfrage

RAL colour of your choice on demand

Couleur RAL de votre choix sur demande



LED



CRI

>80



CRI

>90



IP20



DALI



SDCM



≤3



>50.000 h

WANDLEUCHTE „LINE70“
WALL LUMINAIRE “LINE70”
APPLIQUE MURALE « LINE70 »

Bestellbeispiel | Example order | Exemple de commande
 3.134 mm, CRI>90, 4000K, direct + indirect, low Output on/off, black, microprism

LI70W - 319402 - LOBLM

1 2 3 4 5 6 7

| 1 LÄNGE LENGTH LONGEUR | |
|------------------------------|----|
| 614 mm | 06 |
| 974 mm | 09 |
| 1.214 mm | 12 |
| 1.454 mm | 14 |
| 1.694 mm | 16 |
| 1.934 mm | 19 |
| 2.174 mm | 21 |
| 2.414 mm | 24 |
| 2.894 mm | 28 |
| 3.134 mm | 31 |
| 3.856 mm | 38 |

| 2 FARBWIEDERGABE COLOUR RENDERING RENDU DES COULEURS | |
|--|---|
| CRI>80 | 8 |
| CRI>90 | 9 |

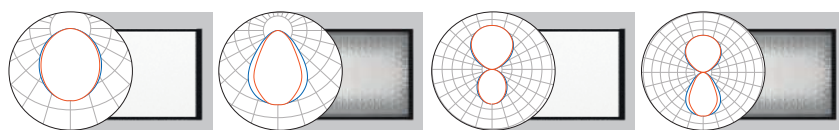
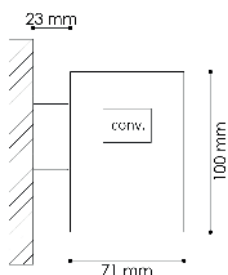
| 3 FARBTEMPERATUR COLOUR TEMPERATURE TEMPÉRATURE DE COULEUR | |
|--|----|
| 2700K (CRI>90 only) | 27 |
| 3000K | 30 |
| 4000K | 40 |
| 2700-6500K (CRI>90 only) | DW |

| 4 LICHTVERTEILUNG LIGHT DISTRIBUTION DISTRIBUTION DE LA LUMIÈRE | |
|---|---|
| direct | 1 |
| direct + indirect | 2 |

| 5 LEISTUNG & STEUERUNG OUTPUT & CONTROL SORTIE & CONTRÔLE | |
|---|----|
| low output on/off | LO |
| low output DALI | LD |
| high output on/off | HO |
| high output DALI | HD |
| dynamic white DALI DT8 | DW |

| 6 GEHÄUSEFARBE HOUSING COLOUR COULEUR DU BOÎTIER | |
|--|----|
| silver RAL9006 | SI |
| white RAL9016 | WH |
| black RAL9005 | BL |

| 7 DIFFUSOR DIFFUSER DIFFUSEUR | |
|-------------------------------------|---|
| opal | O |
| microprism | M |

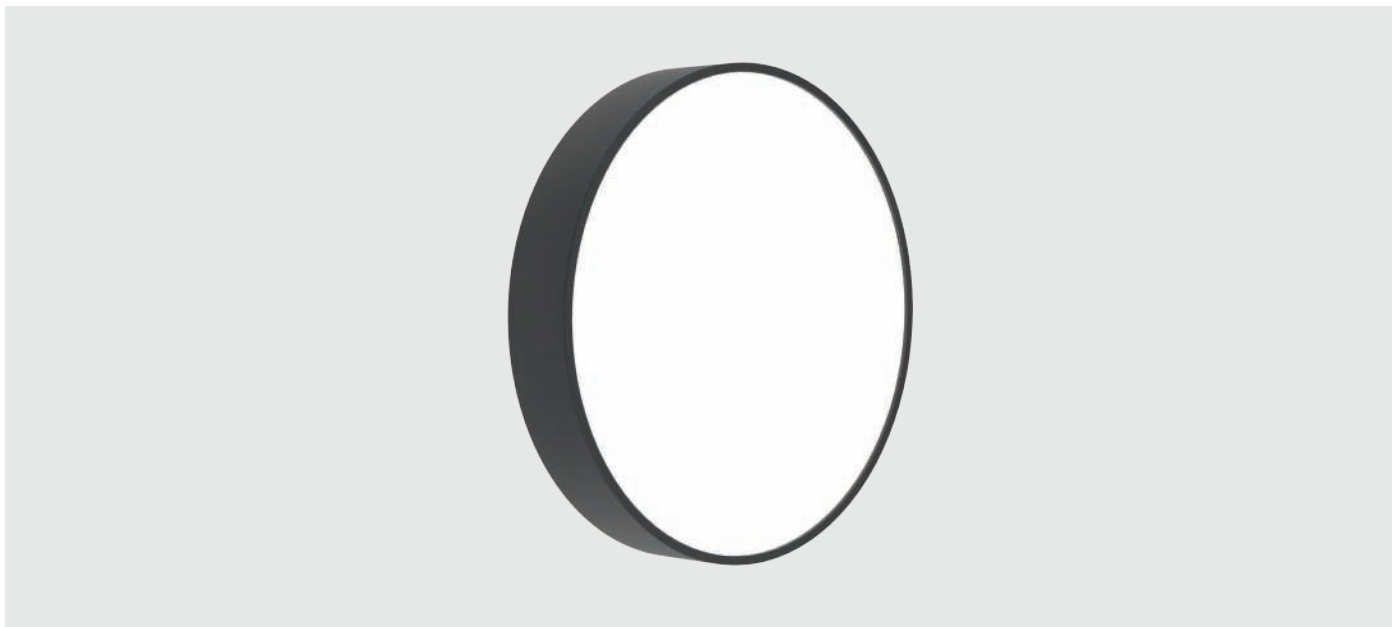


| Size [mm] | opal direct | | microprism direct | | opal direct + indirect | | microprism direct + indirect | | direct | direct + indirect |
|-----------|-----------------------|------------------------|-----------------------|------------------------|------------------------|------------------------|------------------------------|------------------------|--------|-------------------|
| | low output [lm] / [W] | high output [lm] / [W] | low output [lm] / [W] | high output [lm] / [W] | low output [lm] / [W] | high output [lm] / [W] | low output [lm] / [W] | high output [lm] / [W] | kg | kg |
| 614 | 1.077 / 11,8 | 1.709 / 16,3 | 1.045 / 11,8 | 1.608 / 16,3 | 2.568 / 18,8 | 4.088 / 30 | 2.536 / 18,8 | 3.987 / 30 | 2,8 | 2,8 |
| 974 | 1.723 / 15,2 | 2.734 / 25 | 1.672 / 15,2 | 2.573 / 25 | 4.109 / 28,7 | 6.541 / 46,3 | 4.058 / 28,7 | 6.379 / 46,3 | 3,8 | 3,9 |
| 1.214 | 2.154 / 18,8 | 3.418 / 30 | 2.090 / 18,8 | 3.216 / 30 | 5.136 / 35,4 | 8.176 / 57,2 | 5.072 / 35,4 | 7.974 / 57,2 | 4,3 | 4,4 |
| 1.454 | 2.585 / 22,1 | 4.102 / 35,8 | 2.508 / 22,1 | 3.859 / 35,8 | 6.163 / 41,6 | 9.811 / 68,1 | 6.086 / 41,6 | 9.569 / 68,1 | 4,9 | 5,1 |
| 1.694 | 3.016 / 25,5 | 4.785 / 41,1 | 2.926 / 25,5 | 4.502 / 41,1 | 7.190 / 47,9 | 11.446 / 80,8 | 7.100 / 47,9 | 11.164 / 80,8 | 5,5 | 5,7 |
| 1.934 | 3.446 / 28,7 | 5.469 / 46,3 | 3.344 / 28,7 | 5.146 / 46,3 | 8.218 / 54,5 | 13.082 / 91,7 | 8.116 / 54,5 | 12.758 / 91,7 | 6,1 | 6,3 |
| 2.174 | 3.877 / 32 | 6.152 / 52 | 3.762 / 32 | 5.789 / 52 | 9.245 / 60,8 | 14.717 / 103 | 9.130 / 60,8 | 14.353 / 103 | 6,7 | 7,0 |
| 2.414 | 4.308 / 35,4 | 6.836 / 57,3 | 4.180 / 35,4 | 6.432 / 57,3 | 10.272 / 65,4 | 16.352 / 113,1 | 10.144 / 65,4 | 15.948 / 113,1 | 7,5 | 7,7 |
| 2.894 | 5.170 / 41,6 | 8.203 / 69,6 | 5.016 / 41,6 | 7.718 / 69,6 | 12.326 / 77,4 | 19.622 / 134,8 | 12.172 / 77,4 | 19.138 / 134,8 | 8,9 | 9,2 |
| 3.134 | 5.600 / 44,8 | 8.887 / 75,5 | 5.434 / 44,8 | 8.362 / 75,5 | 13.354 / 83,4 | 21.258 / 145,3 | 13.189 / 83,4 | 20.732 / 145,3 | 9,5 | 9,9 |
| 3.856 | 6.892 / 57,4 | 10.938 / 92,6 | 6.688 / 57,4 | 10.292 / 92,6 | 16.436 / 109 | 26.164 / 183,4 | 16.232 / 109 | 25.516 / 183,4 | 11,7 | 12,1 |

Alle Lumenangaben für 4000K, CRI>80, Microprisma ohne Opalfolie
 All lumen values for 4000K, CRI>80, microprism without opal foil
 Toutes les données de lumens pour 4000K, CRI>80, microprisme sans feuille opale

ROUND90

WANDLEUCHTE | WALL LUMINAIRE | APPLIQUE MURALE



Runde LED-Flächenleuchte zur Wandmontage. Direktstrahlend oder direkt-indirektstrahlend. Gehäuse aus gerolltem Aluminiumprofil, nahtlos verschweißt. Fertigung der Leuchte in vier Durchmesser: 350, 450, 650 und 950 mm mit einer Gesamthöhe von 90 mm. Oberfläche pulverbeschichtet feinstruktur matt ähnlich RAL 9016 weiß, RAL 9006 silber oder RAL 9005 schwarz – auf Anfrage in RAL nach Wahl. Die durchdachte Konstruktion der Leuchte ermöglicht ein Design in zahlreichen Farbkombinationen – zwischen Gehäusefarbe und Dekorring kann beliebig kombiniert werden. Um der Leuchtenfamilie neben den Standardfarben einen dekorativen Touch zu verleihen, steht der Dekorring auch in den strukturierten Spezialoberflächen schlaggold, schlagsilber und schlagbronze zur Auswahl. Diffusor in PMMA wahlweise opal, mikroprismatisch inkl. Streufolie oder nur mikroprismatisch (office special) für eine reduzierte Leuchtdichte (UGR<19). Einfache Montage durch Einschieben des Leuchtgehäuses in den Baldachin. Der LED-Treiber ist im Leuchtgehäuse integriert – wahlweise als on/off oder DALI-Variante. Farbtemperaturen 2700K, 3000K, 4000K oder dynamisch Weiß (2700K–6500K) – Farbwiedergabe CRI>80 oder CRI>90 – Mac Adam ≤3. Weitere Steuerungsoptionen oder Lichtfarben auf Anfrage möglich. Außerdem ist die Integration vieler Komponenten, wie beispielsweise Notlicht oder Sensortechnologie, sowie eine Vielzahl weiterer Optionen möglich.

Round wall-mounted LED luminaire. Direct beam or direct-indirect beam. Housing made of rolled aluminium profile, seamlessly welded. Luminaire manufactured in four diameters: 350, 450, 650 and 950 mm with a total height of 90 mm. Surface powder coated fine structure matt similar to RAL 9016 white, RAL 9006 silver or RAL 9005 black – on request in RAL of choice. The sophisticated construction of the luminaire allows a design in numerous colour combinations – any combination of housing colour and decorative ring is also available in the special textured surfaces beaten gold, beaten silver and beaten bronze. Diffuser in PMMA either opal, microprism incl. diffuser foil or only microprism (office special) for reduced luminance (UGR<19). Easy installation by sliding the luminaire housing into the canopy. The LED driver is integrated in the luminaire housing – either as on/off or DALI version. Colour temperatures 2700K, 3000K, 4000K or dynamic white (2700K-6500K) – colour rendering CRI>80 or CRI>90 – Mac Adam ≤3. Further control options or light colours available on request. In addition, the integration of many components, such as emergency lighting or sensor technology, as well as a variety of other options is possible.

Luminaire LED rond pour montage mural. Éclairage direct ou éclairage direct-indirect. Boîtier en profilé d'aluminium roulé, soudé sans soudure. Fabrication du luminaire en quatre diamètres : 350, 450, 650 et 950 mm avec une hauteur totale de 90 mm. Surface revêtue par poudre à structure fine mate similaire à RAL 9016 blanc, RAL 9006 argent ou RAL 9005 noir – sur demande en RAL au choix. La construction bien pensée du luminaire permet un design dans de nombreuses combinaisons de couleurs – il est possible de combiner à volonté entre la couleur du boîtier et l'anneau décoratif. Pour donner à la famille de luminaires une touche décorative en plus des couleurs standard, l'anneau décoratif est également disponible dans les surfaces spéciales structurées or choc, argent choc et bronze choc. Diffuseur en PMMA au choix opale, microprismatique y compris feuille diffuseuse ou uniquement microprismatique (office special) pour un éblouissement réduit (UGR<19). Montage facile en insérant le corps du luminaire dans le canopy. Le driver LED est intégré dans le boîtier du luminaire – au choix en version on/off ou DALI. Températures de couleur 2700K, 3000K, 4000K ou blanc dynamique (2700K-6500K) – Rendu des couleurs CRI>80 ou CRI>90 – Mac Adam ≤3. Autres options de commande ou couleurs de lumière possibles sur demande. En outre, l'intégration de nombreux composants, tels que l'éclairage de secours ou la technologie des capteurs, une multitude d'autres options sont possibles.

ÜBERSICHT | OVERVIEW | VUE D'ENSEMBLE

| TECHNICAL DATA |
|--|
| 2700K / 3000K / 4000K / 2700-6500K |
| CRI>80 / CRI>90 |
| MacAdam ≤ 3 |
| up to 174 lm/W |
| on-off / DALI |
| direct / direct + indirect |
| opal / microprism / office special (UGR <19) |

| LIFETIME |
|----------------|
| L80B10 50.000h |

| OPTIONS |
|-----------------------------|
| emergency lighting |
| motion and day-light sensor |
| many more on demand |



| HOUSING COLOUR | |
|--|--|
| schwarz black noir RAL 9005 | |
| silber silver argent RAL 9006 | |
| weiß white blanc RAL 9016 | |
| RAL-Farbe nach Wahl auf Anfrage RAL colour of your choice on demand Couleur RAL de votre choix sur demande | |

| DECORATION RING COLOUR | | | |
|--|--|--|--|
| schwarz black noir RAL 9005 | | schlaggold beaten gold or texturés | |
| silber silver argent RAL 9006 | | schlagsilber beaten silver argent texturés | |
| weiß white blanc RAL 9016 | | schlagbronze beaten bronze bronze texturés | |
| RAL-Farbe nach Wahl auf Anfrage RAL colour of your choice on demand Couleur RAL de votre choix sur demande | | | |

WANDLEUCHTE „ROUND90“
WALL LUMINAIRE "ROUND90"
APPLIQUE MURALE « ROUND90 »

Bestellbeispiel | Example order | Exemple de commande
 350 mm, CRI>90, 4000K, direct, low output on/off, black, beaten gold, microprism

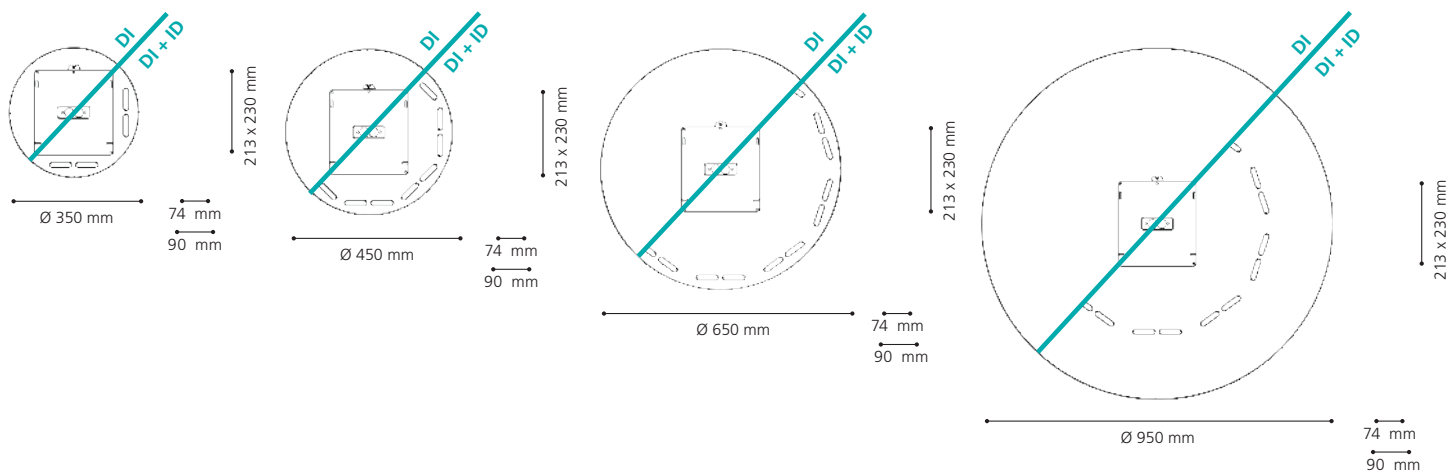
RO90W - 359401 - LOBGM

1 2 3 4 5 6 7 8

| | | |
|----------|---|-----------|
| 1 | DURCHMESSER DIAMETER DIAMÈTRE | |
| | 350 mm | 35 |
| | 450 mm | 45 |
| | 650 mm | 65 |
| | 950 mm | 95 |
| 2 | FARBWIEDERGABE COLOUR RENDERING RENDU DES COULEURS | |
| | CRI>80 | 8 |
| | CRI>90 | 9 |
| 3 | FARBTEMPERATUR COLOUR TEMPERATURE TEMPÉRATURE DE COULEUR | |
| | 2700K (CRI>90 only) | 27 |
| | 3000K | 30 |
| | 4000K | 40 |
| | 2700-6500K (CRI>90 only) | DW |

| | | |
|----------|--|-----------|
| 4 | LICHTVERTEILUNG LIGHT DISTRIBUTION DISTRIBUTION DE LA LUMIÈRE | |
| | direct | 1 |
| | direct + indirect | 2 |
| 5 | LEISTUNG & STEUERUNG OUTPUT & CONTROL SORTIE & CONTRÔLE | |
| | low output on/off | LO |
| | low output DALI | LD |
| | high output on/off | HO |
| | high output DALI | HD |
| | dynamic white DALI DT8 | DW |
| 6 | GEHÄUSEFARBE HOUSING COLOUR COULEUR DU BOÎTIER | |
| | silver RAL9006 | B |
| | white RAL9016 | S |
| | black RAL9005 | W |

| | | |
|----------|--|----------|
| 7 | DEKORRING FARBE DECORATION RING COLOUR BAGUE DÉCORATIVE COULEUR | |
| | silver RAL9006 | B |
| | white RAL9016 | S |
| | black RAL9005 | W |
| | beaten gold | G |
| | beaten silver | A |
| | beaten bronze | C |
| 8 | DIFFUSOR DIFFUSER DIFFUSEUR | |
| | opal | O |
| | microprism | M |
| | office special | B |

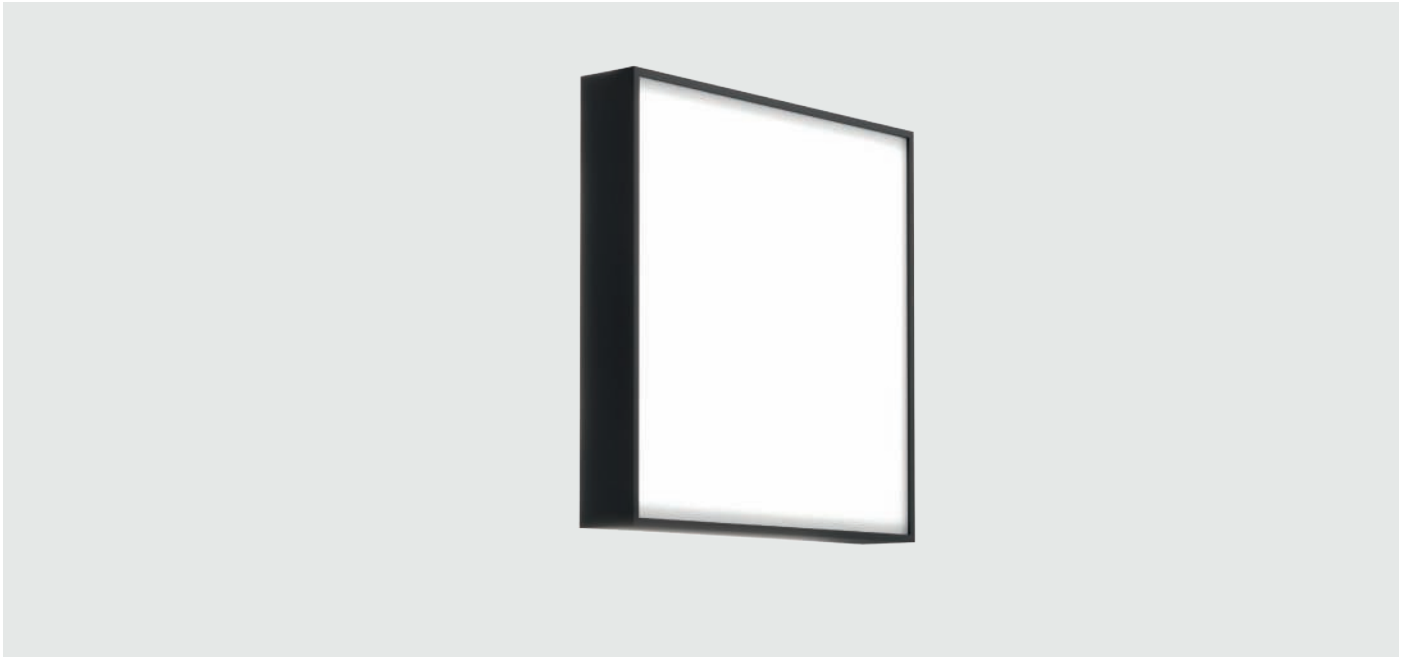


| Size [mm] | opal direct | | microprism direct | | office special direct | | opal direct + indirect | | microprism direct + indirect | | office special direct + indirect | | KG |
|-----------|-----------------------|------------------------|-----------------------|------------------------|-----------------------|------------------------|------------------------|------------------------|------------------------------|------------------------|----------------------------------|------------------------|------|
| | low output [lm] / [W] | high output [lm] / [W] | low output [lm] / [W] | high output [lm] / [W] | low output [lm] / [W] | high output [lm] / [W] | low output [lm] / [W] | high output [lm] / [W] | low output [lm] / [W] | high output [lm] / [W] | low output [lm] / [W] | high output [lm] / [W] | |
| Ø 350 | 1.158 / 8,5 | 1.826 / 13 | 1.077 / 8,5 | 1.697 / 13 | 1.213 / 8,5 | 1.905 / 13 | 1.747 / 12 | 2.625 / 17,5 | 1.661 / 12 | 2.493 / 17,5 | 1.795 / 12 | 2.691 / 17,5 | 3,4 |
| Ø 450 | 2.257 / 15,5 | 3.561 / 23,5 | 2.099 / 15,5 | 3.309 / 23,5 | 2.364 / 15,5 | 3.715 / 23,5 | 3.207 / 21 | 4.820 / 30 | 3.050 / 21 | 4.577 / 30 | 3.295 / 21 | 4.941 / 30 | 4,0 |
| Ø 650 | 4.114 / 27 | 6.489 / 41 | 3.825 / 27 | 6.029 / 41 | 4.309 / 27 | 6.770 / 41 | 5.534 / 35 | 8.317 / 51 | 5.263 / 35 | 7.897 / 51 | 5.687 / 35 | 8.526 / 51 | 7,6 |
| Ø 950 | 9.102 / 57 | 14.360 / 86 | 8.466 / 57 | 13.342 / 86 | 8.466 / 57 | 13.342 / 86 | 11.036 / 68 | 16.585 / 99 | 10.494 / 68 | 15.748 / 99 | 11.342 / 68 | 17.004 / 99 | 19,0 |

Alle Lumenangaben für 4000K, CRI>80, Gehäusefarbe weiß
 All lumen values for 4000K, CRI>80, housing colour white
 Toutes les données de lumens pour 4000K, CRI>80, couleur du boîtier blanc

SQUARE90

WANDLEUCHTE | WALL LUMINAIRE | APPLIQUE MURALE



Quadratische LED-Flächenleuchte zur Wandmontage. Direktstrahlend oder direkt-indirektstrahlend. Gehäuse aus Aluminiumprofil, nahtlos verschweißt. Fertigung der Leuchte in vier Größen: 350, 450, 650 und 950 mm mit einer Gesamthöhe von 90 mm. Oberfläche pulverbeschichtet feinstruktur matt ähnlich RAL 9016 weiß, RAL 9006 silber oder RAL 9005 schwarz – auf Anfrage in RAL nach Wahl. Die durchdachte Konstruktion der Leuchte ermöglicht ein Design in zahlreichen Farbkombinationen – zwischen Gehäusefarbe und Dekorring kann beliebig kombiniert werden. Um der Leuchtenfamilie neben den Standardfarben einen dekorativen Touch zu verleihen, steht der Dekorring auch in den strukturierten Spezialoberflächen schlaggold, schlagsilber und schlagbronze zur Auswahl. Diffuser in PMMA wahlweise opal, mikroprismatisch inkl. Streufolie oder nur mikroprismatisch (office special) für eine reduzierte Leuchtdichte (UGR<19). Einfache Montage durch Einschieben des Leuchtengehäuses in den Baldachin. Der LED-Treiber ist im Leuchtengehäuse integriert – wahlweise als on/off oder DALI-Variante. Farbtemperaturen 2700K, 3000K, 4000K oder dynamisch Weiß (2700K–6500K) – Farbwiedergabe CRI>80 oder CRI>90 – Mac Adam ≤3. Weitere Steuerungsoptionen oder Lichtfarben auf Anfrage möglich. Außerdem ist die Integration vieler Komponenten, wie beispielsweise Notlicht oder Sensortechnologie, sowie eine Vielzahl weiterer Optionen möglich.

Square wall-mounted LED luminaire. Direct beam or direct-indirect beam. Housing made of aluminium profile, seamlessly welded. Luminaire manufactured in four sizes: 350, 450, 650 and 950 mm with a total height of 90 mm. Surface powder coated fine structure matt similar to RAL 9016 white, RAL 9006 silver or RAL 9005 black - on request in RAL of choice. The sophisticated construction of the luminaire allows a design in numerous colour combinations - any combination of housing colour and decorative ring is possible. To give the luminaire family a decorative touch in addition to the standard colours, the decorative ring is also available in the structured special surfaces of beaten gold, beaten silver and beaten bronze. Diffuser in PMMA either opal, microprism incl. diffuser foil or only microprism (office special) for reduced luminance (UGR<19). Easy mounting by sliding the luminaire housing into the canopy. The LED driver is integrated in the luminaire housing - either as on/off or DALI version. Colour temperatures 2700K, 3000K, 4000K or dynamic white (2700K-6500K) - colour rendering CRI>80 or CRI>90 - Mac Adam ≤3. Further control options or light colours available on request. In addition, the integration of many components, such as emergency lighting or sensor technology, as well as a variety of other options is possible.

Luminaire mural carré LED. Éclairage direct ou direct-indirect. Boîtier en profilé d'aluminium, soudé sans soudure. Fabrication du luminaire en quatre dimensions : 350, 450, 650 et 950 mm avec une hauteur totale de 90 mm. Surface revêtue par poudre à structure fine mate similaire à RAL 9016 blanc, RAL 9006 argent ou RAL 9005 noir - sur demande en RAL au choix. La construction bien pensée du luminaire permet un design dans de nombreuses combinaisons de couleurs - il est possible de combiner à volonté entre la couleur du boîtier et l'anneau décoratif. Pour donner à la famille de luminaires une touche décorative en plus des couleurs standard, l'anneau décoratif est également disponible dans les surfaces spéciales structurées or choc, argent choc et bronze choc. Diffuseur en PMMA au choix opale, microprismatique y compris film diffusant ou uniquement microprismatique (office special) pour un éblouissement réduit (UGR<19). Montage facile en insérant le corps du luminaire dans le canopy. Le driver LED est intégré dans le boîtier du luminaire - au choix en version on/off ou DALI. Températures de couleur 2700K, 3000K, 4000K ou blanc dynamique (2700K-6500K) - Rendu des couleurs CRI>80 ou CRI>90 - Mac Adam ≤3. Autres options de commande ou couleurs de lumière possibles sur demande. En outre, l'intégration de nombreux composants, tels que l'éclairage de secours ou la technologie des capteurs, une multitude d'autres options sont possibles.

ÜBERSICHT | OVERVIEW | VUE D'ENSEMBLE

TECHNICAL DATA

2700K / 3000K / 4000K / 2700-6500K

CRI>80 / CRI>90

MacAdam ≤ 3

up to 175 lm/W

on-off / DALI

direct / direct + indirect

opal / microprism / office special (UGR <19)

LIFETIME

L80B10 50.000h

OPTIONS

emergency lighting

motion and day-light sensor

many more on demand



>80

>90

IP40/50

DALI

≤3

>50.000 h

HOUSING COLOUR

schwarz | black | noir
RAL 9005



silber | silver | argent
RAL 9006



weiß | white | blanc
RAL 9016



RAL-Farbe nach Wahl auf Anfrage
RAL colour of your choice on demand
Couleur RAL de votre choix sur demande



DECORATION RING COLOUR

schwarz | black | noir
RAL 9005



silber | silver | argent
RAL 9006



weiß | white | blanc
RAL 9016



RAL-Farbe nach Wahl auf Anfrage
RAL colour of your choice on demand
Couleur RAL de votre choix sur demande



schlaggold | beaten gold | or texturés



schlagsilber | beaten silver | argent texturés



schlagbronze | beaten bronze | bronze texturés



WANDLEUCHTE „SQ90“
WALL LUMINAIRE “SQ90”
APPLIQUE MURALE « SQUARE90 »

Bestellbeispiel | Example order | Exemple de commande
 350 mm, CRI>90, 4000K, direct, low output on/off, black, beaten gold, microprism

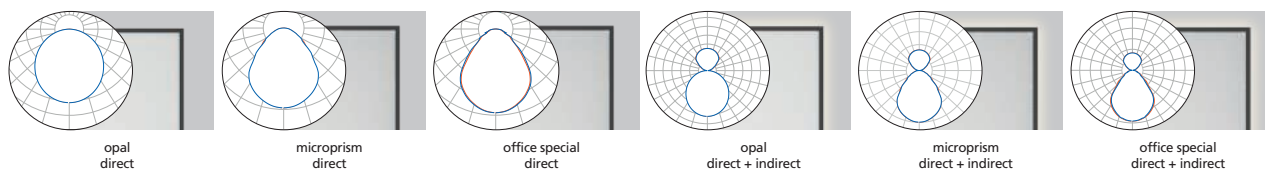
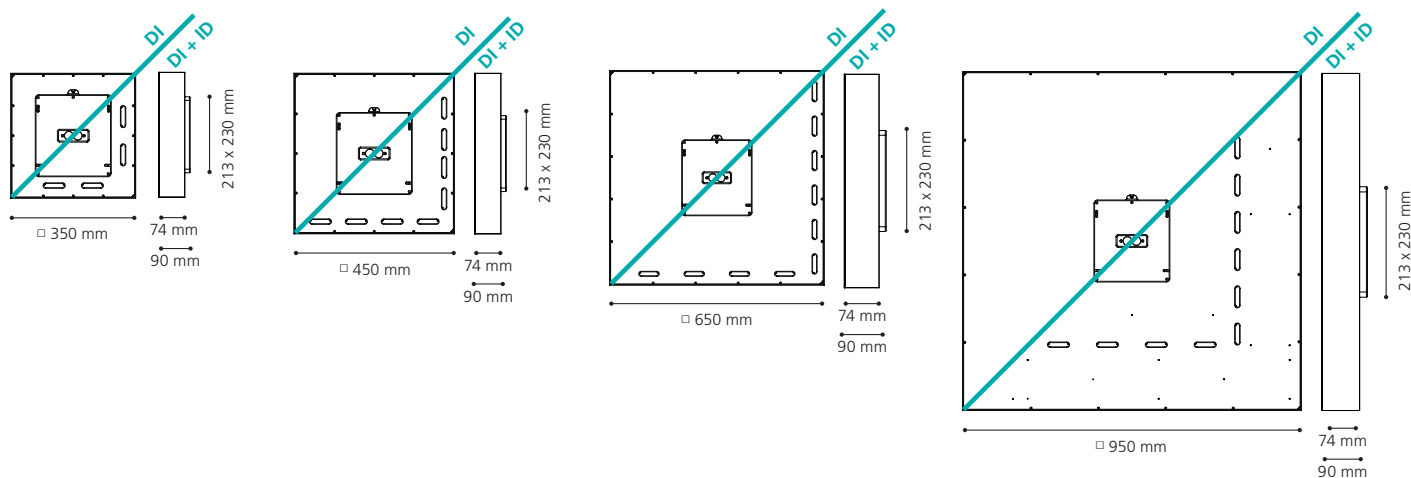
SQ90W - 359401 - LOBGM

1 2 3 4 5 6 7 8

| | | |
|----------|---|-----------|
| 1 | GRÖSSE SIZE TAILLE | |
| | 350 x 350 mm | 35 |
| | 450 x 450 mm | 45 |
| | 650 x 650 mm | 65 |
| | 950 x 950 mm | 95 |
| 2 | FARBWIEDERGABE COLOUR RENDERING RENDU DES COULEURS | |
| | CRI>80 | 8 |
| | CRI>90 | 9 |
| 3 | FARBTEMPERATUR COLOUR TEMPERATURE TEMPÉRATURE DE COULEUR | |
| | 2700K (CRI>90 only) | 27 |
| | 3000K | 30 |
| | 4000K | 40 |
| | 2700-6500K (CRI>90 only) | DW |

| | | |
|----------|--|-----------|
| 4 | LICHTVERTEILUNG LIGHT DISTRIBUTION DISTRIBUTION DE LA LUMIÈRE | |
| | direct | 1 |
| | direct + indirect | 2 |
| 5 | LEISTUNG & STEUERUNG OUTPUT & CONTROL SORTIE & CONTRÔLE | |
| | low output on/off | LO |
| | low output DALI | LD |
| | high output on/off | HO |
| | high output DALI | HD |
| | dynamic white DALI DT8 | DW |
| 6 | GEHÄUSEFARBE HOUSING COLOUR COULEUR DU BOÎTIER | |
| | black RAL9005 | B |
| | silver RAL9006 | S |
| | white RAL9016 | W |

| | | |
|----------|--|----------|
| 7 | DEKORRING FARBE DECORATION RING COLOUR BAGUE DÉCORATIVE COULEUR | |
| | black RAL9005 | B |
| | silver RAL9006 | S |
| | white RAL9016 | W |
| | beaten gold | G |
| | beaten silver | A |
| | beaten bronze | C |
| 8 | DIFFUSOR DIFFUSER DIFFUSEUR | |
| | opal | O |
| | microprism | M |
| | office special | B |



| Size [mm] | opal direct | | microprism direct | | office special direct | | opal direct + indirect | | microprism direct + indirect | | office special direct + indirect | | kg |
|-----------|-----------------------|------------------------|-----------------------|------------------------|-----------------------|------------------------|------------------------|------------------------|------------------------------|------------------------|----------------------------------|------------------------|------|
| | low output [lm] / [W] | high output [lm] / [W] | low output [lm] / [W] | high output [lm] / [W] | low output [lm] / [W] | high output [lm] / [W] | low output [lm] / [W] | high output [lm] / [W] | low output [lm] / [W] | high output [lm] / [W] | low output [lm] / [W] | high output [lm] / [W] | |
| □ 350 | 1.349 / 9,9 | 2.365 / 16,7 | 1.256 / 9,9 | 2.208 / 16,7 | 1.402 / 9,9 | 2.470 / 16,7 | 2.029 / 13,8 | 3.488 / 23,1 | 1.923 / 13,8 | 3.308 / 23,1 | 2.081 / 13,8 | 3.579 / 23,1 | 3,9 |
| □ 450 | 2.288 / 15,4 | 4.011 / 26 | 2.130 / 15,4 | 3.744 / 26 | 2.377 / 15,4 | 4.189 / 26 | 3.236 / 20,7 | 5.563 / 34,6 | 3.067 / 20,7 | 5.276 / 34,6 | 3.319 / 20,7 | 5.709 / 34,6 | 5,4 |
| □ 650 | 4.711 / 30,5 | 8.258 / 51,6 | 4.385 / 30,5 | 7.708 / 51,6 | 4.894 / 30,5 | 8.624 / 51,6 | 5.845 / 37 | 10.048 / 61,8 | 5.845 / 37 | 9.530 / 61,8 | 5.995 / 37 | 10.312 / 61,8 | 9,3 |
| □ 950 | 9.868 / 60,9 | 17.299 / 102,8 | 9.187 / 60,9 | 16.148 / 102,8 | 10.252 / 60,9 | 18.067 / 102,8 | 10.918 / 67,4 | 18.770 / 112,6 | 10.348 / 67,4 | 17.801 / 112,6 | 11.198 / 67,4 | 19.262 / 112,6 | 23,4 |

Alle Lumenangaben für 4000K, CRI>80, Gehäusefarbe weiß
 All lumen values for 4000K, CRI>80, housing colour white
 Toutes les données de lumens pour 4000K, CRI>80, couleur du boîtier blanc

OVERVIEW

EINBAULEUCHTEN | RECESSED LUMINAIRES | LUMINAIRES ENCASTRABLES



LINE40
142



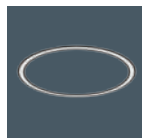
LINE50
144



officeLINE50
146



LINE70
148



RING50
150



FLEX50
152



ROUND90
154



designDOT
156



designSQOT
158



techDOT
160



techSQOT
162

EINBAULEUCHTEN

RECESSED LUMINAIRES
LUMINAIRES ENCASTRABLES

LINE40

EINBAULEUCHE | RECESSED LUMINAIRE | LUMINAIRE ENCASTRABLE




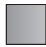


LED-Einbauleuchte mit umlaufendem Rahmen, direktstrahlend. Lichtkanal aus Aluminium-Strangpressprofil mit einer Gesamtbreite von 54 mm. Fertigung der Leuchtenlänge millimetergenau auf Kundenwunsch möglich. Oberfläche der Leuchte feinstrukturiert matt pulverbeschichtet ähnlich RAL 9016 weiß, RAL 9006 silber oder RAL 9005 schwarz – auf Anfrage in RAL nach Wahl. Diffusor wahlweise in PMMA opal, oder PMMA klar mit eingeschobener mikroprismatischer Platte für eine reduzierte Leuchtdichte (UGR<19). Der LED-Treiber ist im Leuchtengehäuse integriert – wahlweise als on/off oder DALI-Variante. Farbtemperaturen 2700K, 3000K, 4000K – Farbwiedergabe CRI>80 oder CRI>90 – Mac Adam ≤3. Weitere Steuerungsoptionen oder Lichtfarben auf Anfrage erhältlich. Außerdem ist die Integration vieler Komponenten, wie beispielsweise Notlicht oder Sensortechnologie, sowie eine Vielzahl weiterer Optionen möglich.

Recessed LED luminaire with surrounding frame, direct beam. Light channel made of extruded aluminium profile with a total width of 54 mm. Luminaire length can be manufactured to the exact millimetre on customer request. Surface of the luminaire fine structure matt powder coated similar to RAL 9016 white, RAL 9006 silver or RAL 9005 black - on request in RAL of choice. Diffuser either in PMMA opal or PMMA clear with inserted microprismatic plate for reduced luminance (UGR<19). The LED driver is integrated in the luminaire housing - either as on/off or DALI version. Colour temperatures 2700K, 3000K, 4000K - colour rendering CRI>80 or CRI>90 - Mac Adam ≤3. Further control options or light colours available on request. In addition, the integration of many components, such as emergency lighting or sensor technology, as well as a variety of other options is possible.

Luminaire LED encastré avec cadre périphérique à éclairage direct. Canal lumineux en profilé d'aluminium extrudé d'une largeur totale de 54 mm. Fabrication de la longueur du luminaire au millimètre près possible sur demande du client. Surface du luminaire à structure fine, revêtement par poudre mat similaire à RAL 9016 blanc, RAL 9006 argent ou RAL 9005 noir - sur demande en RAL au choix. Diffuseur au choix en PMMA opale ou en PMMA transparent avec plaque microprismatique insérée pour un éblouissement réduit (UGR<19). Le pilote LED est intégré dans le boîtier du luminaire - au choix sous forme de variante on/off ou DALI. Températures de couleur 2700K, 3000K, 4000K - Rendu des couleurs CRI>80 ou CRI>90 - Mac Adam ≤3. Autres options de commande ou couleurs de lumière disponibles sur demande. En outre, l'intégration de nombreux composants, tels que l'éclairage de secours ou des capteurs, une multitude d'autres options sont possibles.

ÜBERSICHT | OVERVIEW | VUE D'ENSEMBLE

| TECHNICAL DATA | |
|----------------------------------|--|
| 2700K / 3000K / 4000K | |
| CRI>80 / CRI>90 | |
| MacAdam ≤ 3 | |
| up to 116 lm/W, up to 2.731 lm/m | |
| on-off / DALI | |
| direct | |
| opal / microprism (UGR <19) | |

| HOUSING COLOUR | |
|--|---|
| schwarz black noir RAL 9005 |  |
| silber silver argent RAL 9006 |  |
| weiß white blanc RAL 9016 |  |
| RAL-Farbe nach Wahl auf Anfrage RAL colour of your choice on demand Couleur RAL de votre choix sur demande |  |

| LIFETIME |
|----------------|
| L80B10 50.000h |

| OPTIONS |
|-----------------------------|
| emergency lighting |
| motion and day-light sensor |
| many more on demand |



EINBAULEUCHE „LINE40“
RECESSED LUMINAIRE “LINE40”
LUMINAIRE ENCASTRABLE « LINE40 »

Bestellbeispiel | Example order | Exemple de commande
 3.381 mm, CRI>90, 4000K, **direct**, low output on/off, black, microprism

LI40E - 339401 - LOBLM

1 2 3 4 5 6

| 1 LÄNGE LENGTH LONGEUR | |
|------------------------------|----|
| 580 mm | 05 |
| 860 mm | 08 |
| 1.140 mm | 11 |
| 1.280 mm | 12 |
| 1.420 mm | 14 |
| 1.700 mm | 17 |
| 2.260 mm | 22 |
| 2.540 mm | 25 |
| 2.821 mm | 28 |
| 3.381 mm | 33 |
| 3.801 mm | 38 |

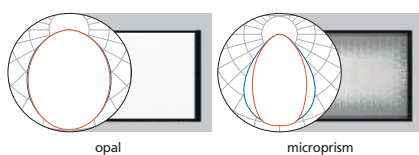
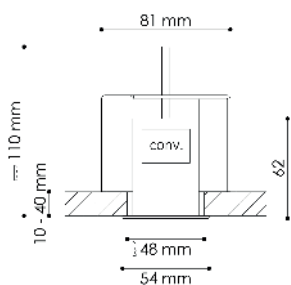
| 2 FARBWIEDERGABE COLOUR RENDERING RENDU DES COULEURS | |
|--|---|
| CRI>80 | 8 |
| CRI>90 | 9 |

| 3 FARBTEMPERATUR COLOUR TEMPERATURE TEMPÉRATURE DE COULEUR | |
|--|----|
| 2700K (CRI>90 only) | 27 |
| 3000K | 30 |
| 4000K | 40 |

| 4 LEISTUNG & STEUERUNG OUTPUT & CONTROL SORTIE & CONTRÔLE | |
|---|----|
| low output on/off | LO |
| low output DALI | LD |
| high output on/off | HO |
| high output DALI | HD |

| 5 GEHÄUSEFARBE HOUSING COLOUR COULEUR DU BOÎTIER | |
|--|----|
| silver RAL9006 | SI |
| white RAL9016 | WH |
| black RAL9005 | BL |

| 6 DIFFUSOR DIFFUSER DIFFUSEUR | |
|-------------------------------------|---|
| opal | O |
| microprism | M |



| Size [mm] | opal direct | | microprism direct | | kg |
|-----------|-----------------------|------------------------|-----------------------|------------------------|-----|
| | low output [lm] / [W] | high output [lm] / [W] | low output [lm] / [W] | high output [lm] / [W] | |
| 580 | 852 / 8 | 1.439 / 17 | 757 / 8 | 1.503 / 17 | 1,7 |
| 860 | 1.136 / 12 | 2.158 / 23 | 1.135 / 12 | 2.254 / 23 | 2,0 |
| 1.140 | 1.514 / 15 | 2.879 / 29 | 1.514 / 15 | 3.005 / 29 | 2,5 |
| 1.280 | 1.704 / 17 | 3.238 / 33 | 1.703 / 17 | 3.381 / 33 | 2,7 |
| 1.420 | 1.893 / 18 | 3.599 / 35 | 1.892 / 18 | 3.757 / 35 | 3,3 |
| 1.700 | 2.272 / 20 | 4.318 / 40 | 2.271 / 20 | 4.508 / 40 | 3,8 |
| 2.260 | 3.028 / 27 | 5.756 / 53 | 3.028 / 27 | 6.010 / 53 | 4,6 |
| 2.540 | 3.408 / 30 | 6.475 / 60 | 3.406 / 30 | 6.762 / 60 | 4,8 |
| 2.821 | 3.786 / 35 | 7.198 / 70 | 3.784 / 35 | 7.514 / 70 | 6,4 |
| 3.381 | 4.544 / 41 | 8.636 / 81 | 4.542 / 41 | 9.016 / 81 | 7,3 |
| 3.801 | 5.112 / 46 | 9.715 / 91 | 5.110 / 46 | 10.143 / 91 | 8,9 |



CUTOUT

| Size [mm] | length [mm] | width [mm] | depth [mm] |
|-----------|-------------|------------|------------|
| 580 | 575 | 48 | 110 |
| 860 | 855 | 48 | 110 |
| 1.140 | 1.135 | 48 | 110 |
| 1.280 | 1.275 | 48 | 110 |
| 1.420 | 1.415 | 48 | 110 |
| 1.700 | 1.695 | 48 | 110 |
| 2.260 | 2.255 | 48 | 110 |
| 2.540 | 2.535 | 48 | 110 |
| 2.821 | 2.816 | 48 | 110 |
| 3.381 | 3.376 | 48 | 110 |
| 3.801 | 3.796 | 48 | 110 |

Alle Lumenangaben für 4000K, CRI>80, Microprisma ohne Opalfolie
 All lumen values for 4000K, CRI>80, microprism without opal foil
 Toutes les données de lumens pour 4000K, CRI>80, microprisme sans feuille opale

LINE50

EINBAULEUCHE | RECESSED LUMINAIRE | LUMINAIRE ENCASTRABLE



LED-Einbauleuchte mit umlaufendem Rahmen, direktstrahlend. Lichtkanal aus Aluminium-Strangpressprofil mit einer Gesamtbreite von 63 mm. Fertigung der Leuchtenlänge millimetergenau auf Kundenwunsch möglich. Oberfläche der Leuchte feinstrukturiert matt pulverbeschichtet ähnlich RAL 9016 weiß, RAL 9006 silber oder RAL 9005 schwarz – auf Anfrage in RAL nach Wahl. Diffusor wahlweise in PMMA opal, PMMA klar mit eingeschobener asymmetrischer Folie oder PMMA klar mit eingeschobener mikroprismatischer Platte für eine reduzierte Leuchtdichte (UGR<19). Der LED-Treiber ist im Leuchtgehäuse integriert – wahlweise als on/off oder DALI-Variante. Farbtemperaturen 2700K, 3000K, 4000K oder dynamisch Weiß (2700K–6500K) – Farbwiedergabe CRI>80 oder CRI>90 – Mac Adam ≤3. Weitere Steuerungsoptionen oder Lichtfarben auf Anfrage erhältlich. Außerdem ist die Integration vieler Komponenten, wie beispielsweise Notlicht oder Sensortechnologie, sowie eine Vielzahl weiterer Optionen möglich.

Recessed LED luminaire with surrounding frame, direct beam. Light channel made of extruded aluminium profile with a total width of 63 mm. Luminaire length can be manufactured to the exact millimetre on customer request. Surface of the luminaire fine structure matt powder coated similar to RAL 9016 white, RAL 9006 silver or RAL 9005 black - on request in RAL of choice. Diffuser either in PMMA opal, PMMA clear with inserted asymmetrical foil or PMMA clear with inserted microprismatic plate for reduced luminance (UGR<19). The LED driver is integrated in the luminaire housing - either as on/off or DALI version. Colour temperatures 2700K, 3000K, 4000K or dynamic white (2700K-6500K) - colour rendering CRI>80 or CRI>90 - Mac Adam ≤3. Further control options or light colours available on request. In addition, the integration of many components, such as emergency lighting or sensor technology, as well as a variety of other options is possible.

Luminaire LED encastré avec cadre périphérique à éclairage direct. Canal lumineux en profilé d'aluminium extrudé d'une largeur totale de 63 mm. Fabrication de la longueur du luminaire au millimètre près possible sur demande du client. Surface du luminaire à structure fine, revêtement par poudre mat similaire à RAL 9016 blanc, RAL 9006 argent ou RAL 9005 noir - sur demande en RAL au choix. Diffuseur au choix en PMMA opale, PMMA transparent avec feuille asymétrique insérée ou PMMA transparent avec plaque microprismatique insérée pour un éblouissement réduit (UGR<19). Le pilote LED est intégré dans le boîtier du luminaire - au choix sous forme de variante on/off ou DALI. Températures de couleur 2700K, 3000K, 4000K ou blanc dynamique (2700K-6500K) - Rendu des couleurs CRI>80 ou CRI>90 - Mac Adam ≤3. Autres options de commande ou couleurs de lumière disponibles sur demande. En outre, l'intégration de nombreux composants, tels que l'éclairage de secours ou la technologie de détection, une multitude d'autres options sont possibles.

ÜBERSICHT | OVERVIEW | VUE D'ENSEMBLE

TECHNICAL DATA

2700K / 3000K / 4000K / 2700-6500K

CRI>80 / CRI>90

MacAdam ≤ 3

up to 122 lm/W, up to 2.766 lm/m

on-off / DALI

direct

opal / microprism (UGR <19)

HOUSING COLOUR

schwarz | black | noir
RAL 9005



silber | silver | argent
RAL 9006



weiß | white | blanc
RAL 9016



RAL-Farbe nach Wahl auf Anfrage
RAL colour of your choice on demand
Couleur RAL de votre choix sur demande



LIFETIME

L80B10 50.000h

OPTIONS

emergency lighting

motion and day-light sensor

many more on demand



>80



>90



IP20



DALI



≤3



>50.000 h



ball-proof
DIN18032-3

EINBAULEUCHE „LINE50“
RECESSED LUMINAIRE “LINE50”
LUMINAIRE ENCASTRABLE « LINE50 »

Bestellbeispiel | Example order | Exemple de commande
 3.152 mm, CRI>90, 4000K, **direct**, low output on/off, black, microprism

LI50E - 319401 - LOBLM

1 2 3 4 5 6

| 1 LÄNGE LENGTH LONGEUR | |
|------------------------------|----|
| 621 mm | 06 |
| 981 mm | 09 |
| 1.221 mm | 12 |
| 1.461 mm | 14 |
| 1.701 mm | 17 |
| 1.941 mm | 19 |
| 2.181 mm | 21 |
| 2.421 mm | 24 |
| 2.901 mm | 29 |
| 3.141 mm | 31 |
| 3.863 mm | 38 |

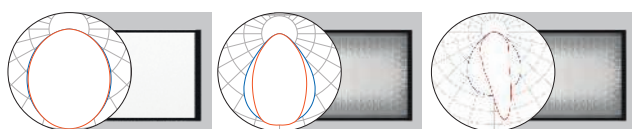
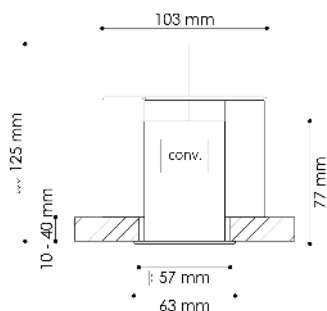
| 2 FARBWIEDERGABE COLOUR RENDERING RENDU DES COULEURS | |
|--|---|
| CRI>80 | 8 |
| CRI>90 | 9 |

| 3 FARBTEMPERATUR COLOUR TEMPERATURE TEMPÉRATURE DE COULEUR | |
|--|----|
| 2700K (CRI>90 only) | 27 |
| 3000K | 30 |
| 4000K | 40 |
| 2700-6500K (CRI>90 only) | DW |

| 4 LEISTUNG & STEUERUNG OUTPUT & CONTROL SORTIE & CONTRÔLE | |
|---|----|
| low output on/off | LO |
| low output DALI | LD |
| high output on/off | HO |
| high output DALI | HD |
| dynamic white DALI DT8 | DW |

| 5 GEHÄUSEFARBE HOUSING COLOUR COULEUR DU BOÎTIER | |
|--|----|
| silver RAL9006 | SI |
| white RAL9016 | WH |
| black RAL9005 | BL |

| 6 DIFFUSOR DIFFUSER DIFFUSEUR | |
|-------------------------------------|---|
| opal | O |
| microprism | M |
| asymmetric | A |



opal direct

microprism direct

asymmetric direct

| Size [mm] | low output [lm] / [W] | high output [lm] / [W] | low output [lm] / [W] | high output [lm] / [W] | low output [lm] / [W] | high output [lm] / [W] | kg |
|-----------|-----------------------|------------------------|-----------------------|------------------------|-----------------------|------------------------|-----|
| 621 | 866 / 8,8 | 1.649 / 16,3 | 826 / 8,8 | 1.581 / 16,3 | 867 / 8,8 | 1.660 / 16,3 | 1,5 |
| 981 | 1.386 / 13 | 2.638 / 25 | 1.321 / 13 | 2.530 / 25 | 1.387 / 13 | 2.656 / 25 | 2,3 |
| 1.221 | 1.731 / 16,3 | 3.298 / 30 | 1.652 / 16,3 | 3.162 / 30 | 1.735 / 16,3 | 3.320 / 30 | 2,9 |
| 1.461 | 2.078 / 18,5 | 3.958 / 35,8 | 1.982 / 18,5 | 3.794 / 35,8 | 2.081 / 18,5 | 3.984 / 35,8 | 3,5 |
| 1.701 | 2.425 / 21,2 | 4.617 / 41,1 | 2.313 / 21,2 | 4.427 / 41,1 | 2.429 / 21,2 | 4.648 / 41,1 | 4,1 |
| 1.941 | 2.772 / 23,7 | 5.277 / 46,3 | 2.642 / 23,7 | 5.059 / 46,3 | 2.774 / 23,7 | 5.312 / 46,3 | 4,6 |
| 2.181 | 3.117 / 26,6 | 5.936 / 52 | 2.974 / 26,6 | 5.692 / 52 | 3.123 / 26,6 | 5.977 / 52 | 5,2 |
| 2.421 | 3.462 / 29,2 | 6.596 / 57,3 | 3.304 / 29,2 | 6.324 / 57,3 | 3.469 / 29,2 | 6.640 / 57,3 | 5,8 |
| 2.901 | 4.156 / 34,3 | 7.915 / 69,6 | 3.964 / 34,3 | 7.589 / 69,6 | 4.162 / 34,3 | 7.968 / 69,6 | 7 |
| 3.141 | 4.503 / 36,9 | 8.575 / 75,5 | 4.295 / 36,9 | 8.221 / 75,5 | 4.510 / 36,9 | 8.632 / 75,5 | 7,5 |
| 3.863 | 5.544 / 47,4 | 10.554 / 92,6 | 5.284 / 47,4 | 10.118 / 92,6 | 5.548 / 47,4 | 10.624 / 92,6 | 9,3 |



CUTOUT

| Size [mm] | length [mm] | width [mm] | depth [mm] |
|-----------|-------------|------------|------------|
| 621 | 616 | 57 | 125 |
| 981 | 976 | 57 | 125 |
| 1.221 | 1.216 | 57 | 125 |
| 1.461 | 1.456 | 57 | 125 |
| 1.701 | 1.696 | 57 | 125 |
| 1.941 | 1.936 | 57 | 125 |
| 2.181 | 2.176 | 57 | 125 |
| 2.421 | 2.416 | 57 | 125 |
| 2.901 | 2.896 | 57 | 125 |
| 3.141 | 3.136 | 57 | 125 |
| 3.863 | 3.858 | 57 | 125 |

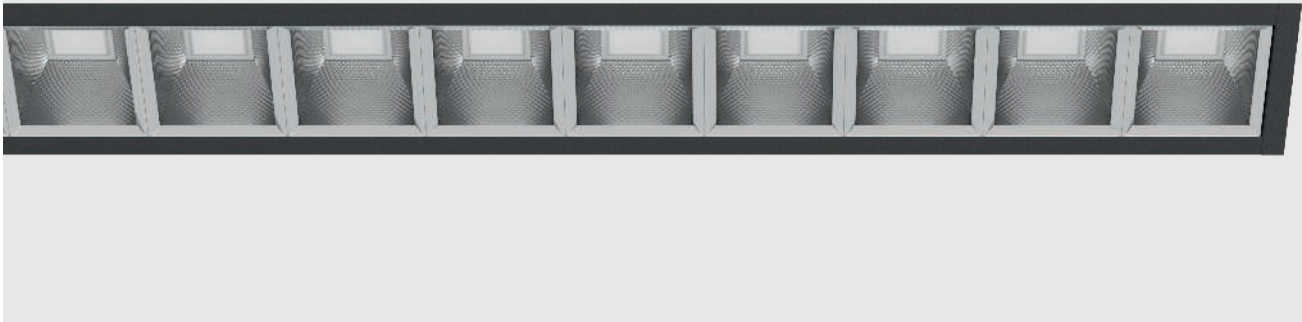
Alle Lumenangaben für 4000K, CRI>80, Microprisma ohne Opalfolie

All lumen values for 4000K, CRI>80, microprism without opal foil

Toutes les données de lumens pour 4000K, CRI>80, microprisme sans feuille opale

officeLINE50

Einbauleuchte | Recessed Luminaire | Luminaire Encastrable



LED-Einbauleuchte mit umlaufendem Rahmen, direktstrahlend. Lichtkanal aus Aluminium-Strangpressprofil mit einer Gesamtbreite von 63 mm. Fertigung der Leuchtenlänge millimetergenau auf Kundenwunsch möglich. Oberfläche der Leuchte feinstruktur matt pulverbeschichtet ähnlich RAL 9016 weiß, RAL 9006 silber oder RAL 9005 schwarz – auf Anfrage in RAL nach Wahl. Die Leuchte ist ausgestattet mit einem hochwertigen, facettierten BAP-Raster mit einer Auswahl an sieben verschiedenen Farben – Oberfläche hochglänzend bzw. matt. Der LED-Treiber ist im Leuchtgehäuse integriert – wahlweise als on/off oder DALI-Variante. Farbtemperaturen 2700K, 3000K, 4000K oder dynamisch Weiß (2700K–6500K) –Farbwiedergabe CRI>80 oder CRI>90 – Mac Adam ≤3. Weitere Steuerungsoptionen oder Lichtfarben auf Anfrage erhältlich. Außerdem ist die Integration vieler Komponenten, wie beispielsweise Notlicht oder Sensortechnologie, sowie eine Vielzahl weiterer Optionen möglich.

Recessed LED luminaire with surrounding frame, direct beam. Light channel made of extruded aluminium profile with a total width of 63 mm. Luminaire length can be manufactured to the exact millimetre on customer request. Surface of the luminaire fine structure matt powder coated similar to RAL 9016 white, RAL 9006 silver or RAL 9005 black - on request in RAL of choice. The luminaire is equipped with a high-quality, faceted BAP louvre with a choice of seven different colours - specular or matt finish. The LED driver is integrated in the luminaire housing - either as on/off or DALI version. Colour temperatures 2700K, 3000K, 4000K or dynamic white (2700K-6500K) - Colour rendering CRI>80 or CRI>90 - Mac Adam ≤3. Further control options or light colours available on request. In addition, the integration of many components, such as emergency lighting or sensor technology, as well as a variety of other options is possible.

Luminaire LED encastré avec cadre périphérique à éclairage direct. Canal lumineux en profilé d'aluminium extrudé d'une largeur totale de 63 mm. Fabrication de la longueur du luminaire au millimètre près possible sur demande du client. Surface du luminaire à structure fine matte revêtue par poudre similaire à RAL 9016 blanc, RAL 9006 argent ou RAL 9005 noir - sur demande en RAL au choix. Le luminaire est équipé d'une grille BAP à facettes de haute qualité avec un choix de sept couleurs différentes - surface brillante ou mate. Le pilote LED est intégré dans le boîtier du luminaire - au choix sous forme de variante on/off ou DALI. Températures de couleur 2700K, 3000K, 4000K ou blanc dynamique (2700K-6500K) -Rendu des couleurs CRI>80 ou CRI>90 - Mac Adam ≤3. Autres options de commande ou couleurs de lumière disponibles sur demande. En outre, l'intégration de nombreux composants, tels que l'éclairage de secours ou la technologie de détection, une multitude d'autres options sont possibles.

ÜBERSICHT | OVERVIEW | VUE D'ENSEMBLE

TECHNICAL DATA

2700K / 3000K / 4000K / 2700-6500K

CRI>80 / CRI>90

MacAdam ≤ 3

up to 147 lm/W, up to 4.422 lm/m

on-off / DALI

direct

BAP-Louvre (UGR <19)

LIFETIME

L80B10 50.000h

OPTIONS

emergency lighting

motion and day-light sensor

many more on demand



HOUSING COLOUR

schwarz | black | noir
RAL 9005

silber | silver | argent
RAL 9006

weiß | white | blanc
RAL 9016

RAL-Farbe nach Wahl auf Anfrage
RAL colour of your choice on demand
Couleur RAL de votre choix sur demande

BAP LOUVRE COLOUR

silber hochglanz | silver specular | argenté brillant

silber matt | silver matt | argenté mat

schwarz hochglanz | black specular | noir brillant

schwarz matt | black matt | noir mat

gold hochglanz | gold specular | doré brillant

bronze hochglanz | bronze specular | bronze brillant

titan hochglanz | titan specular | titan brillant

EINBAULEUCHE „officeLINE50“
 RECESSED LUMINAIRE “officeLINE50”
 LUMINAIRE ENCASTRABLE « officeLINE50 »

Bestellbeispiel | Example order | Exemple de commande
 3.379 mm, CRI>90, 4000K, **direct**, low output on/off, black, gold specular

OL50E - 339401 - LOBLG

1 2 3 4 5 6

| 1 LÄNGE LENGTH LONGUEUR | |
|-------------------------------|----|
| 498 mm | 04 |
| 978 mm | 09 |
| 1.218 mm | 12 |
| 1.458 mm | 14 |
| 1.698 mm | 16 |
| 2.178 mm | 21 |
| 2.898 mm | 28 |
| 3.379 mm | 33 |

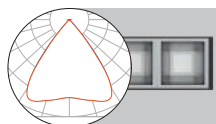
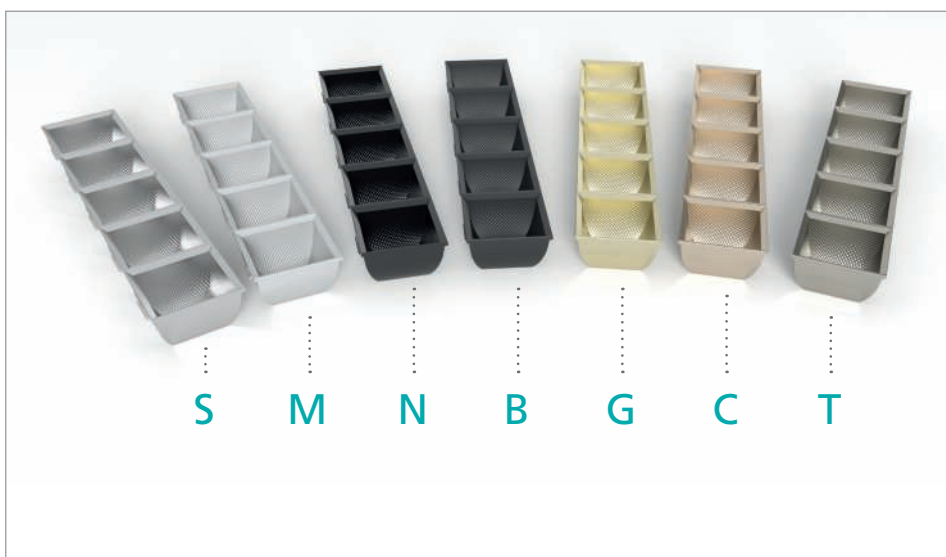
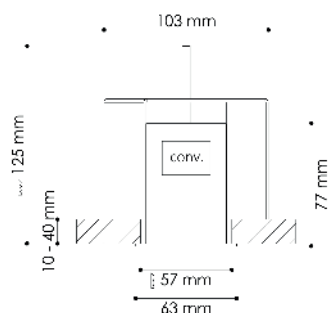
| 2 FARBWIEDERGABE COLOUR RENDERING RENDU DES COULEURS | |
|--|---|
| CRI>80 | 8 |
| CRI>90 | 9 |

| 3 FARBTEMPERATUR COLOUR TEMPERATURE TEMPÉRATURE DE COULEUR | |
|--|----|
| 2700K (CRI>90 only) | 27 |
| 3000K | 30 |
| 4000K | 40 |
| 2700-6500K (CRI>90 only) | DW |

| 4 LEISTUNG & STEUERUNG OUTPUT & CONTROL SORTIE & CONTRÔLE | |
|---|----|
| low output on/off | LO |
| low output DALI | LD |
| high output on/off | HO |
| high output DALI | HD |
| dynamic white DALI DT8 | DW |

| 5 GEHÄUSEFARBE HOUSING COLOUR COULEUR DU BOÎTIER | |
|--|----|
| silver RAL9006 | SI |
| white RAL9016 | WH |
| black RAL9005 | BL |

| 6 BAP-RASTER FARBE BAP LOUVRE COLOUR GRILLE BAP COULEUR | |
|---|---|
| silver specular | S |
| silver matt | M |
| black specular | N |
| black matt | B |
| gold specular | G |
| bronze specular | C |
| titan specular | T |



direct

| Size [mm] | low output [lm] / [W] | high output [lm] / [W] | KG |
|-----------|-----------------------|------------------------|-----|
| 498 | 1.106 / 8,8 | 2.064 / 16,7 | 1,6 |
| 978 | 2.212 / 17,1 | 4.128 / 32,3 | 2,5 |
| 1.218 | 2.765 / 20,5 | 5.160 / 39,4 | 2,9 |
| 1.458 | 3.318 / 24 | 6.192 / 46,5 | 3,4 |
| 1.698 | 3.871 / 27,6 | 7.224 / 53,8 | 4,0 |
| 2.178 | 4.977 / 34,6 | 9.288 / 67,7 | 4,9 |
| 2.898 | 6.636 / 44,8 | 12.384 / 88,9 | 6,4 |
| 3.379 | 7.742 / 55,2 | 14.448 / 107,6 | 7,7 |



CUTOUT

| Size [mm] | length [mm] | width [mm] | depth [mm] |
|-----------|-------------|------------|------------|
| 498 | 493 | 57 | 125 |
| 978 | 973 | 57 | 125 |
| 1.218 | 1.213 | 57 | 125 |
| 1.458 | 1.453 | 57 | 125 |
| 1.698 | 1.693 | 57 | 125 |
| 2.178 | 2.173 | 57 | 125 |
| 2.898 | 2.893 | 57 | 125 |
| 3.379 | 3.374 | 57 | 125 |

Alle Lumenangaben für 4000K, CRI>80, Reflektor silber hochglanz
 All lumen values for 4000K, CRI>80, reflector silver specular
 Toutes les données de lumens pour 4000K, CRI>80, réflecteur argenté brillant

LINE70

EINBAULEUCHE | RECESSED LUMINAIRE | LUMINAIRE ENCASTRABLE



LED-Einbauleuchte mit umlaufendem Rahmen direktstrahlend. Lichtkanal aus Aluminium-Strangpressprofil mit einer Gesamtbreite von 88 mm. Fertigung der Leuchtenlänge millimetergenau auf Kundenwunsch möglich. Oberfläche der Leuchte feinstruktur matt pulverbeschichtet ähnlich RAL 9016 weiß, RAL 9006 silber oder RAL 9005 schwarz – auf Anfrage in RAL nach Wahl. Diffusor wahlweise in PMMA opal oder PMMA klar mit eingeschobener mikroprismatischer Platte für eine reduzierte Leuchtdichte (UGR<19). Der LED-Treiber ist im Leuchtengehäuse integriert – wahlweise als on/off oder DALI-Variante. Farbtemperaturen 2700K, 3000K, 4000K oder dynamisch Weiß (2700K–6500K) – Farbwiedergabe CRI>80 oder CRI>90 – Mac Adam ≤3. Weitere Steuerungsoptionen oder Lichtfarben auf Anfrage erhältlich. Außerdem ist die Integration vieler Komponenten, wie beispielsweise Notlicht oder Sensortechnologie, sowie eine Vielzahl weiterer Optionen möglich.

Recessed LED luminaire with surrounding frame, direct beam. Light channel made of extruded aluminium profile with a total width of 88 mm. Luminaire length can be manufactured to the exact millimetre on customer request. Surface of the luminaire fine structure matt powder coated similar to RAL 9016 white, RAL 9006 silver or RAL 9005 black - on request in RAL of choice. Diffuser either in PMMA opal or PMMA clear with inserted microprismatic plate for reduced luminance (UGR<19). The LED driver is integrated in the luminaire housing - either as on/off or DALI version. Colour temperatures 2700K, 3000K, 4000K or dynamic white (2700K-6500K) - colour rendering CRI>80 or CRI>90 - Mac Adam ≤3. Further control options or light colours available on request. In addition, the integration of many components, such as emergency lighting or sensor technology, as well as a variety of other options is possible.

Luminaire de surface LED encastré avec cadre périphérique à éclairage direct. Canal lumineux en profilé d'aluminium extrudé d'une largeur totale de 88 mm. Fabrication de la longueur du luminaire au millimètre près possible sur demande du client. Surface du luminaire à structure fine, revêtement par poudre mat similaire à RAL 9016 blanc, RAL 9006 argent ou RAL 9005 noir - sur demande en RAL au choix. Diffuseur au choix en PMMA opale ou en PMMA transparent avec plaque microprismatique insérée pour un éblouissement réduit (UGR<19). Le pilote LED est intégré dans le boîtier du luminaire - au choix sous forme de variante on/off ou DALI. Températures de couleur 2700K, 3000K, 4000K ou blanc dynamique (2700K-6500K) - Rendu des couleurs CRI>80 ou CRI>90 - Mac Adam ≤3. Autres options de commande ou couleurs de lumière disponibles sur demande. En outre, l'intégration de nombreux composants, tels que l'éclairage de secours ou la technologie de détection, une multitude d'autres options sont possibles.

ÜBERSICHT | OVERVIEW | VUE D'ENSEMBLE

TECHNICAL DATA

2700K / 3000K / 4000K / 2700-6500K

CRI>80 / CRI>90

MacAdam ≤ 3

up to 137 lm/W, up to 2.848 lm/m

on-off / DALI

direct

opal / microprism (UGR <19)

LIFETIME

L80B10 50.000h

OPTIONS

emergency lighting

motion and day-light sensor

many more on demand

HOUSING COLOUR

schwarz | black | noir
RAL 9005



silber | silver | argent
RAL 9006



weiß | white | blanc
RAL 9016



RAL-Farbe nach Wahl auf Anfrage
RAL colour of your choice on demand
Couleur RAL de votre choix sur demande



>80

>90

IP20

DALI

≤3

>50.000 h

EINBAULEUCHE „LINE70“
RECESSED LUMINAIRE “LINE70”
LUMINAIRE ENCASTRABLE « LINE70 »

Bestellbeispiel | Example order | Exemple de commande
 3.152 mm, CRI>90, 4000K, **direct**, low output on/off, black, microprism

LI70E - 319401 - LOBLM

1 2 3 4 5 6

| 1 LÄNGE LENGTH LONGEUR | |
|------------------------------|----|
| 632 mm | 06 |
| 992 mm | 09 |
| 1.232 mm | 12 |
| 1.472 mm | 14 |
| 1.712 mm | 17 |
| 1.952 mm | 19 |
| 2.192 mm | 21 |
| 2.432 mm | 24 |
| 2.912 mm | 29 |
| 3.152 mm | 31 |
| 3.874 mm | 38 |

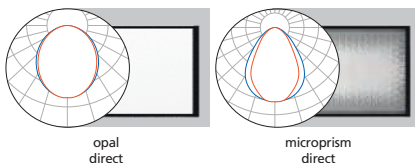
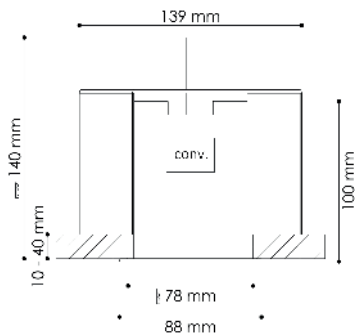
| 2 FARBWIEDERGABE COLOUR RENDERING RENDU DES COULEURS | |
|--|---|
| CRI>80 | 8 |
| CRI>90 | 9 |

| 3 FARBTEMPERATUR COLOUR TEMPERATURE TEMPÉRATURE DE COULEUR | |
|--|----|
| 2700K (CRI>90 only) | 27 |
| 3000K | 30 |
| 4000K | 40 |
| 2700-6500K (CRI>90 only) | DW |

| 4 LEISTUNG & STEUERUNG OUTPUT & CONTROL SORTIE & CONTRÔLE | |
|---|----|
| low output on/off | LO |
| low output DALI | LD |
| high output on/off | HO |
| high output DALI | HD |
| dynamic white DALI DT8 | DW |

| 5 GEHÄUSEFARBE HOUSING COLOUR COULEUR DU BOÎTIER | |
|--|----|
| silver RAL9006 | SI |
| white RAL9016 | WH |
| black RAL9005 | BL |

| 6 DIFFUSOR DIFFUSER DIFFUSEUR | |
|-------------------------------------|---|
| opal | O |
| microprism | M |



| Size [mm] | low output [lm] / [W] | | high output [lm] / [W] | | kg |
|-----------|-----------------------|------------------------|------------------------|------------------------|------|
| | low output [lm] / [W] | high output [lm] / [W] | low output [lm] / [W] | high output [lm] / [W] | |
| 632 | 1.077 / 11,8 | 1.709 / 16,3 | 1.045 / 11,8 | 1.608 / 16,3 | 2,5 |
| 992 | 1.723 / 15,2 | 2.734 / 25,0 | 1.672 / 15,2 | 2.573 / 25,0 | 3,4 |
| 1.232 | 2.154 / 18,8 | 3.418 / 30,0 | 2.090 / 18,8 | 3.216 / 30,0 | 3,9 |
| 1.472 | 2.585 / 22,1 | 4.102 / 35,8 | 2.508 / 22,1 | 3.859 / 35,8 | 4,5 |
| 1.712 | 3.016 / 25,5 | 4.785 / 41,1 | 2.926 / 25,5 | 4.502 / 41,1 | 5,2 |
| 1.952 | 3.446 / 28,7 | 5.469 / 46,3 | 3.344 / 28,7 | 5.146 / 46,3 | 5,8 |
| 2.192 | 3.877 / 32,0 | 6.152 / 52,0 | 3.762 / 32,0 | 5.789 / 52,0 | 6,6 |
| 2.432 | 4.308 / 35,4 | 6.836 / 57,3 | 4.180 / 35,4 | 6.432 / 57,3 | 7,2 |
| 2.912 | 5.170 / 41,6 | 8.203 / 69,6 | 5.016 / 41,6 | 7.718 / 69,6 | 8,5 |
| 3.152 | 5.600 / 44,8 | 8.887 / 75,5 | 5.434 / 44,8 | 8.362 / 75,5 | 9,2 |
| 3.874 | 6.892 / 57,4 | 10.938 / 92,6 | 6.688 / 57,4 | 10.292 / 92,6 | 11,4 |



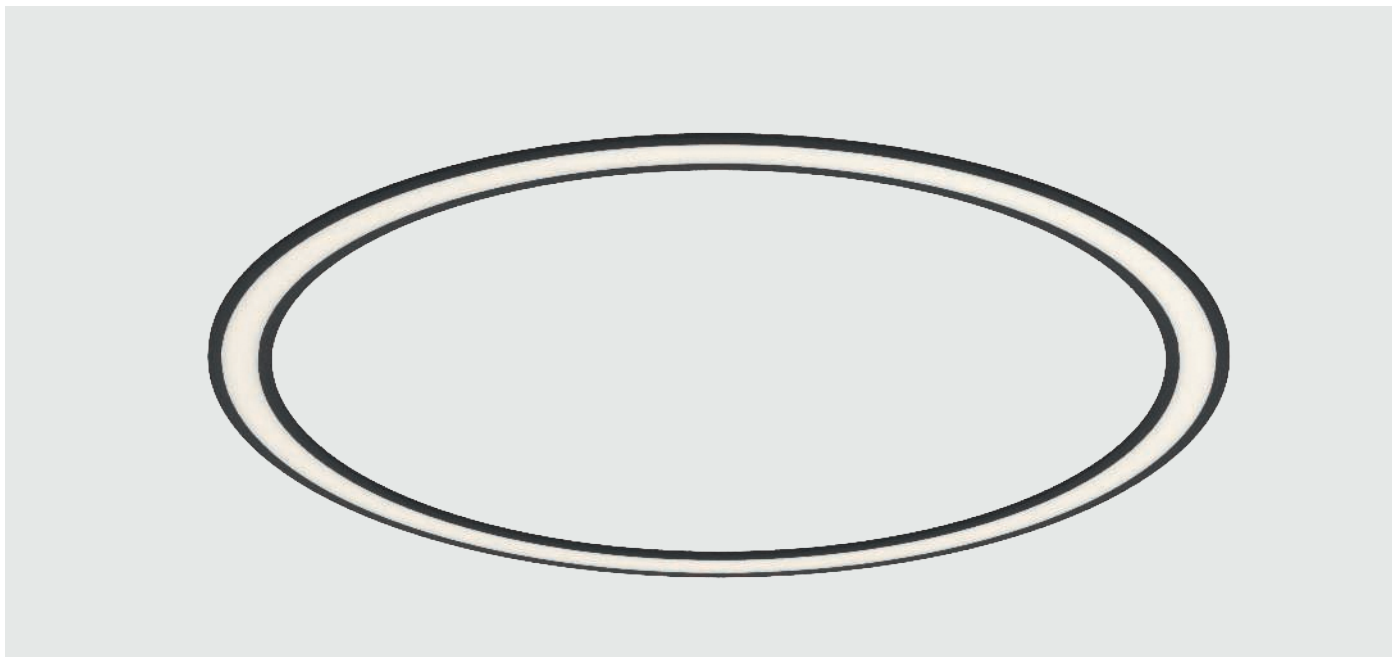
CUTOUT

| Size [mm] | length [mm] | width [mm] | depth [mm] |
|-----------|-------------|------------|------------|
| 632 | 624 | 78 | 140 |
| 992 | 984 | 78 | 140 |
| 1.232 | 1.224 | 78 | 140 |
| 1.472 | 1.464 | 78 | 140 |
| 1.712 | 1.704 | 78 | 140 |
| 1.952 | 1.944 | 78 | 140 |
| 2.192 | 2.184 | 78 | 140 |
| 2.432 | 2.424 | 78 | 140 |
| 2.912 | 2.904 | 78 | 140 |
| 3.152 | 3.144 | 78 | 140 |
| 3.874 | 3.866 | 78 | 140 |

Alle Lumenangaben für 4000K, CRI>80, Microprisma ohne Opalfolie
 All lumen values for 4000K, CRI>80, microprism without opal foil
 Toutes les données de lumens pour 4000K, CRI>80, microprisme sans feuille opale

RING50

EINBAULEUCHTE | RECESSED LUMINAIRE | LUMINAIRE ENCASTRABLE







Ringförmige LED-Einbauleuchte mit umlaufendem Rahmen, direktstrahlend. Lichtkanal aus gerolltem Aluminiumprofil mit einer Gesamtbreite von 63 mm. Leuchte erhältlich in neun verschiedenen Durchmessern – 1233 und 1588 mm in einem Stück nahtlos verschweißt – die restlichen Größen (2033, 2608, 3103, 3548, 4083, 5063, 6088 mm) bestehend aus zwei bis neun gleich großen Segmenten. Oberfläche der Leuchte feinstruktur matt pulverbeschichtet ähnlich RAL 9016 weiß, RAL 9006 silber oder RAL 9005 schwarz – auf Anfrage in RAL nach Wahl. Diffusor wahlweise in PMMA opal oder PMMA klar mit mikroprismatischer Prägung für eine reduzierte Leuchtdichte (UGR<19). Der LED-Treiber ist im Leuchtgehäuse integriert – wahlweise als on/off oder DALI-Variante. Farbtemperaturen 2700K, 3000K, 4000K oder dynamisch Weiß (2700K–6500K) – Farbwiedergabe CRI>80 oder CRI>90 – Mac Adam ≤3. Weitere Steuerungsoptionen oder Lichtfarben auf Anfrage erhältlich. Außerdem ist die Integration vieler Komponenten, wie beispielsweise Notlicht oder Sensortechnologie, sowie eine Vielzahl weiterer Optionen möglich.

Ring-shaped recessed LED luminaire with surrounding frame, direct beam. Light channel made of rolled aluminium profile with a total width of 63 mm. Luminaire available in nine different diameters - 1233 and 1588 mm seamlessly welded in one piece - the remaining sizes (2033, 2608, 3103, 3548, 4083, 5063, 6088 mm) consisting of two to nine equally sized segments. Surface of the luminaire fine structure matt powder coated similar to RAL 9016 white, RAL 9006 silver or RAL 9005 black - on request in RAL of choice. Diffuser either in PMMA opal or PMMA clear with microprismatic pattern for reduced luminance (UGR<19). The LED driver is integrated in the luminaire housing - either as on/off or DALI version. Colour temperatures 2700K, 3000K, 4000K or dynamic white (2700K-6500K) - colour rendering CRI>80 or CRI>90 - Mac Adam ≤3. Further control options or light colours available on request. In addition, the integration of many components, such as emergency lighting or sensor technology, as well as a variety of other options is possible.

Luminaire LED encastré en forme d'anneau avec cadre périphérique, éclairage direct. Canal lumineux en profilé d'aluminium roulé d'une largeur totale de 63 mm. Luminaire disponible en neuf diamètres différents - 1233 et 1588 mm en une seule pièce soudée sans soudure - les autres tailles (2033, 2608, 3103, 3548, 4083, 5063, 6088 mm) se composent de deux à neuf segments de même taille. Surface du luminaire à structure fine matte revêtue par poudre similaire à RAL 9016 blanc, RAL 9006 argent ou RAL 9005 noir - sur demande en RAL au choix. Diffuseur au choix en PMMA opale ou en PMMA transparent avec gaufrage microprismatique pour un éblouissement réduit (UGR<19). Le driver LED est intégré dans le boîtier du luminaire - au choix en version on/off ou DALI. Températures de couleur 2700K, 3000K, 4000K ou blanc dynamique (2700K-6500K) - Rendu des couleurs CRI>80 ou CRI>90 - Mac Adam ≤3. Autres options de commande ou couleurs de lumière disponibles sur demande. En outre, l'intégration de nombreux composants, tels que l'éclairage de secours ou la technologie des capteurs, une multitude d'autres options sont possibles.

ÜBERSICHT | OVERVIEW | VUE D'ENSEMBLE

| TECHNICAL DATA | |
|--|---|
| 2700K / 3000K / 4000K / 2700-6500K | |
| CRI>80 / CRI>90 | |
| MacAdam ≤ 3 | |
| up to 119 lm/W | |
| on-off / DALI | |
| direct | |
| opal / microprism (UGR <19) | |
| HOUSING COLOUR | |
| schwarz black noir RAL 9005 |  |
| silber silver argent RAL 9006 |  |
| weiß white blanc RAL 9016 |  |
| RAL-Farbe nach Wahl auf Anfrage RAL colour of your choice on demand Couleur RAL de votre choix sur demande |  |

| LIFETIME |
|----------------|
| L80B10 50.000h |

| OPTIONS |
|-----------------------------|
| emergency lighting |
| motion and day-light sensor |
| many more on demand |

| | | | | | | |
|---|--|---|--|--|--|---|
|  LED |  CRI |  CRI |  IP40 |  DALI |  SDCM |  >50.000 h |
| | >80 | >90 | | | ≤3 | |

EINBAULEUCHE „RING50“
RECESSED LUMINAIRE “RING50”
LUMINAIRE ENCASTRABLE « RING50 »

Bestellbeispiel | Example order | Exemple de commande
 6.088 mm, CRI>90, 4000K, **direct**, low output on/off, black, microprism

RG50E - 609401 - LOBLM

1 2 3 4 5 6

| 1 DURCHMESSER DIFFUSER DIFFUSEUR | |
|--|----|
| 1.233 mm (no DW) | 12 |
| 1.588 mm (no DW) | 15 |
| 2.033 mm | 20 |
| 2.608 mm | 26 |
| 3.103 mm | 31 |
| 3.548 mm | 35 |
| 4.083 mm | 40 |
| 5.063 mm | 50 |
| 6.088 mm | 60 |

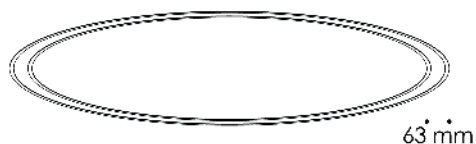
| 2 FARBWIEDERGABE COLOUR RENDERING RENDU DES COULEURS | |
|--|---|
| CRI>80 | 8 |
| CRI>90 | 9 |

| 3 FARBTemperatur COLOUR TEMPERATURE TEMPÉRATURE DE COULEUR | |
|--|----|
| 2700K (CRI>90 only) | 27 |
| 3000K | 30 |
| 4000K | 40 |
| 2700-6500K (CRI>90 only) | DW |

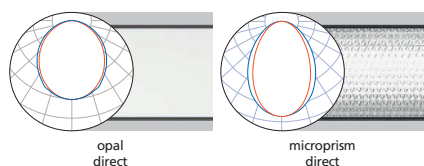
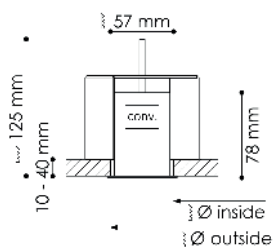
| 4 LEISTUNG & STEUERUNG OUTPUT & CONTROL SORTIE & CONTRÔLE | |
|---|----|
| low output on/off | LO |
| low output DALI | LD |
| high output on/off | HO |
| high output DALI | HD |
| dynamic white DALI DT8 | DW |

| 5 GEHÄUSEFARBE HOUSING COLOUR COULEUR DU BOÎTIER | |
|--|----|
| silver RAL9006 | SI |
| white RAL9016 | WH |
| black RAL9005 | BL |

| 6 DIFFUSOR DIFFUSER DIFFUSEUR | |
|-------------------------------------|---|
| opal | O |
| microprism | M |



Ø 1233 / 1588 / 2033 / 2608 / 3103 /
 3548 / 4083 / 5063 / 6088 mm



CUTOUT

| Size [mm] | opal direct | | microprism direct | | kg |
|-----------|-----------------------|------------------------|-----------------------|------------------------|------|
| | low output [lm] / [W] | high output [lm] / [W] | low output [lm] / [W] | high output [lm] / [W] | |
| Ø 1.233 | 4.888 / 44,7 | 8.376 / 72,5 | 5.026 / 44,7 | 8.616 / 72,5 | 10,3 |
| Ø 1.588 | 6.110 / 59 | 10.470 / 90,6 | 6.283 / 59 | 10.770 / 90,6 | 13,3 |
| Ø 2.033 | 7.943 / 76,7 | 13.611 / 117,8 | 8.168 / 76,7 | 14.001 / 117,8 | 17,0 |
| Ø 2.608 | 10.387 / 100,3 | 17.799 / 154 | 10.681 / 100,3 | 18.309 / 154 | 21,9 |
| Ø 3.103 | 12.220 / 118 | 20.940 / 181,2 | 12.566 / 118 | 21.540 / 181,2 | 26,1 |
| Ø 3.548 | 14.053 / 135,7 | 24.081 / 208,4 | 14.451 / 135,7 | 24.771 / 208,4 | 29,8 |
| Ø 4.083 | 15.886 / 153,4 | 27.222 / 235,6 | 16.336 / 153,4 | 28.002 / 235,6 | 34,3 |
| Ø 5.063 | 20.163 / 194,7 | 34.551 / 299 | 20.734 / 194,7 | 35.541 / 299 | 42,6 |
| Ø 6.088 | 23.829 / 230,1 | 40.833 / 353,3 | 24.504 / 230,1 | 42.003 / 353,3 | 51,3 |

| Size [mm] | inside [mm] | outside [mm] | depth [mm] |
|-----------|-------------|--------------|------------|
| Ø 1.233 | Ø 1.113 | Ø 1.227 | 125 |
| Ø 1.588 | Ø 1.468 | Ø 1.582 | 125 |
| Ø 2.033 | Ø 1.913 | Ø 2.027 | 125 |
| Ø 2.608 | Ø 2.488 | Ø 2.602 | 125 |
| Ø 3.103 | Ø 2983 | Ø 3.097 | 125 |
| Ø 3.548 | Ø 3.428 | Ø 3.542 | 125 |
| Ø 4.083 | Ø 3.963 | Ø 4.077 | 125 |
| Ø 5.063 | Ø 4.943 | Ø 5.057 | 125 |
| Ø 6.088 | Ø 5.968 | Ø 6.082 | 125 |

Alle Lumenangaben für 4000K, CRI>80, Gehäusefarbe weiß
 All lumen values for 4000K, CRI>80, housing colour white
 Toutes les données de lumens pour 4000K, CRI>80, couleur du boîtier blanc

FLEX50

EINBAULEUCHE | RECESSED LUMINAIRE | LUMINAIRE ENCASTRABLE


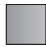




LED-Einbauleuchte als Segment zur individuellen Kombination. Direktstrahlend. Lichtkanal aus gerolltem Aluminiumprofil mit einer Breite von 63 mm. Segmente erhältlich in 13 verschiedenen Varianten – zwei Stück als gerades Profil 980 oder 1960 mm – die restlichen Segmente sind als 40°, 45°, 60°- bzw. 90°-Stücke mit einem Mittenradius von 585 bis 3012,5 mm erhältlich. Oberfläche der Leuchte feinstruktur matt pulverbeschichtet ähnlich RAL 9016 weiß, RAL 9006 silber oder RAL 9005 schwarz – auf Anfrage in RAL nach Wahl. Diffusor wahlweise in PMMA opal oder PMMA mit mikroprismatischer Prägung für eine reduzierte Leuchtdichte (UGR<19). Der LED-Treiber ist im Leuchtgehäuse integriert – wahlweise als on/off oder DALI-Variante. Farbtemperaturen 2700K, 3000K, 4000K oder dynamisch Weiß (2700K–6500K) – Farbwiedergabe CRI>80 oder CRI>90 – Mac Adam ≤3. Weitere Steuerungsoptionen oder Lichtfarben auf Anfrage erhältlich. Außerdem ist die Integration vieler Komponenten, wie beispielsweise Notlicht oder Sensortechnologie, sowie eine Vielzahl weiterer Optionen möglich.

Recessed LED luminaire as segment for individual combination. Direct beam. Light channel made of rolled aluminium profile with a width of 63 mm. Segments available in 13 different versions - two pieces as straight profile 980 or 1960 mm - the remaining segments are available as 40°, 45°, 60° or 90° pieces with a middle radius of 585 to 3012.5 mm. Surface of the luminaire fine structure matt powder coated similar to RAL 9016 white, RAL 9006 silver or RAL 9005 black - on request in RAL of choice. Diffuser either in PMMA opal or PMMA clear with microprismatic pattern for reduced luminance (UGR<19). The LED driver is integrated in the luminaire housing - either as on/off or DALI version. Colour temperatures 2700K, 3000K, 4000K or dynamic white (2700K-6500K) - colour rendering CRI>80 or CRI>90 - Mac Adam ≤3. Further control options or light colours available on request. In addition, the integration of many components, such as emergency lighting or sensor technology, as well as a variety of other options is possible.

Luminaire LED encastré a segment pour une combinaison individuelle. Éclairage direct de la surface. Canal lumineux en profilé d'aluminium roulé d'une largeur de 63 mm. Segments disponibles en 13 variantes différentes - deux pièces sous forme de profilé droit de 980 ou 1960 mm - les autres segments sont disponibles sous forme de pièces de 40°, 45°, 60° ou 90° avec un rayon central de 585 à 3012,5 mm. Surface du luminaire à structure fine matte revêtue par poudre similaire à RAL 9016 blanc, RAL 9006 argent ou RAL 9005 noir - sur demande en RAL au choix. Diffuseur au choix en PMMA opale ou en PMMA transparent avec gaufrage microprismatique pour un éblouissement réduit (UGR<19). Le pilote LED est intégré dans le boîtier du luminaire - au choix sous forme de variante on/off ou DALI. Températures de couleur 2700K, 3000K, 4000K ou blanc dynamique (2700K-6500K) - Rendu des couleurs CRI>80 ou CRI>90 - Mac Adam ≤3. Autres options de commande ou couleurs de lumière disponibles sur demande. En outre, l'intégration de nombreux composants, tels que l'éclairage de secours ou la technologie de détection, une multitude d'autres options sont possibles.

ÜBERSICHT | OVERVIEW | VUE D'ENSEMBLE

| TECHNICAL DATA | |
|--|---|
| 2700K / 3000K / 4000K / 2700-6500K | |
| CRI>80 / CRI>90 | |
| MacAdam ≤ 3 | |
| up to 119 lm/W | |
| on-off / DALI | |
| direct | |
| opal / microprism (UGR <19) | |
| HOUSING COLOUR | |
| schwarz black noir RAL 9005 |  |
| silber silver argent RAL 9006 |  |
| weiß white blanc RAL 9016 |  |
| RAL-Farbe nach Wahl auf Anfrage RAL colour of your choice on demand Couleur RAL de votre choix sur demande |  |

| LIFETIME |
|----------------|
| L80B10 50.000h |

| OPTIONS |
|-----------------------------|
| emergency lighting |
| motion and day-light sensor |
| many more on demand |

| | | | | | | |
|---|--|---|--|--|--|---|
|  LED |  CRI |  CRI |  IP20 |  DALI |  SDCM |  |
| | >80 | >90 | | | ≤3 | >50.000 h |

EINBAULEUCHE „FLEX50“
RECESSED LUMINAIRE “FLEX50”
LUMINAIRE ENCASTRABLE « FLEX50 »

Bestellbeispiel | Example order | Exemple de commande
 straight, 1.960 mm, CRI>90, 4000K, **direct**, low output on/off, black, microprism

FX50E - L29401 - LOBLM

1 2 3 4 5 6

| 1 GRÖSSE SIZE TAILLE | |
|----------------------------|-----------|
| straight, L 980 mm | L1 |
| straight, L 1.960 mm | L2 |
| 90°, R 585 mm (no DW) | 19 |
| 90°, R 762,5 mm (no DW) | 29 |
| 90°, R 985 mm | 39 |
| 45°, R 1.272,5 mm | 44 |
| 90°, R 1.272,5 mm | 49 |
| 60°, R 1.520 mm | 56 |
| 90°, R 1.520 mm | 59 |
| 60°, R 1.742,5 mm | 66 |
| 60°, R 2.010 mm | 76 |
| 45°, R 2.500 mm | 84 |
| 40°, R 3.012,5 mm | 94 |

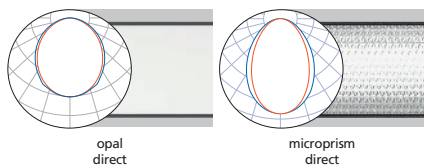
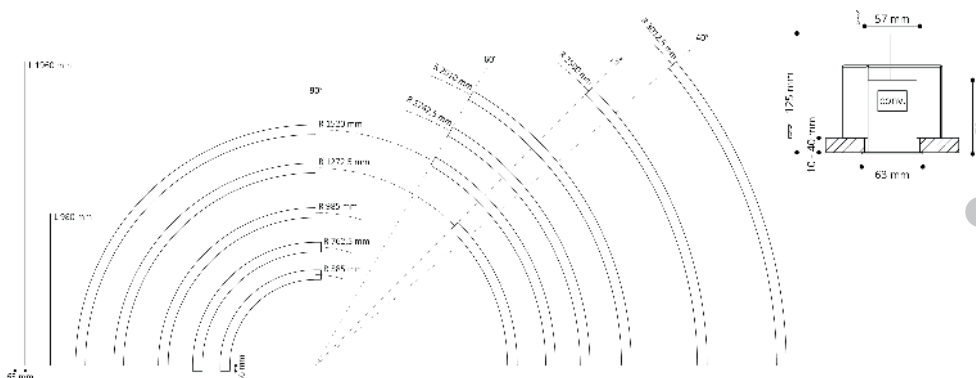
| 2 FARBWIEDERGABE COLOUR RENDERING RENDU DES COULEURS | |
|--|----------|
| CRI>80 | 8 |
| CRI>90 | 9 |

| 3 FARBTEMPERATUR COLOUR TEMPERATURE TEMPÉRATURE DE COULEUR | |
|--|-----------|
| 2700K (CRI>90 only) | 27 |
| 3000K | 30 |
| 4000K | 40 |
| 2700-6500K (CRI>90 only) | DW |

| 4 LEISTUNG & STEUERUNG OUTPUT & CONTROL SORTIE & CONTRÔLE | |
|---|-----------|
| low output on/off | LO |
| low output DALI | LD |
| high output on/off | HO |
| high output DALI | HD |
| dynamic white DALI DT8 | DW |

| 5 GEHÄUSEFARBE HOUSING COLOUR COULEUR DU BOÎTIER | |
|--|-----------|
| silver RAL9006 | SI |
| white RAL9016 | WH |
| black RAL9005 | BL |

| 6 DIFFUSOR DIFFUSER DIFFUSEUR | |
|-------------------------------------|----------|
| opal | O |
| microprism | M |



| Size [mm] | opal direct | | microprism direct | | Kc |
|-------------------|-----------------------|------------------------|-----------------------|------------------------|-----|
| | low output [lm] / [W] | high output [lm] / [W] | low output [lm] / [W] | high output [lm] / [W] | |
| straight, L 980 | 1.222 / 11,2 | 2.094 / 18,1 | 1.257 / 11,2 | 2.153 / 18,1 | 2,6 |
| straight, L 1.960 | 2.554 / 23,3 | 4.377 / 37,8 | 2.626 / 23,3 | 4.377 / 37,8 | 5,3 |
| 90°, R 585 | 1.224 / 11,2 | 2.096 / 18,1 | 1.256 / 11,2 | 2.156 / 18,1 | 2,6 |
| 90°, R 762,5 | 1.530 / 14 | 2.620 / 22,7 | 1.570 / 14 | 2.695 / 22,7 | 3,3 |
| 90°, R 985 | 1.836 / 16,8 | 3.144 / 27,2 | 1.884 / 16,8 | 3.234 / 27,2 | 4,3 |
| 45°, R 1.272,5 | 1.224 / 11,2 | 2.096 / 18,1 | 1.256 / 11,2 | 2.156 / 18,1 | 2,7 |
| 90°, R 1.272,5 | 2.448 / 22,4 | 4.192 / 36,2 | 2.512 / 22,4 | 4.312 / 36,2 | 5,5 |
| 60°, R 1.520 | 1.836 / 16,8 | 3.144 / 27,2 | 1.884 / 16,8 | 3.234 / 27,2 | 4,3 |
| 90°, R 1.520 | 3.060 / 28 | 5.240 / 45,3 | 3.140 / 28 | 5.390 / 45,3 | 6,5 |
| 60°, R 1.742,5 | 2.142 / 19,6 | 3.668 / 31,7 | 2.198 / 19,6 | 3.773 / 31,7 | 5,0 |
| 60°, R 2.010 | 2.754 / 25,2 | 4.716 / 40,8 | 2.826 / 25,2 | 4.851 / 40,8 | 5,7 |
| 45°, R 2.500 | 2.448 / 22,4 | 4.192 / 36,2 | 2.512 / 22,4 | 4.312 / 36,2 | 5,3 |
| 40°, R 3.012,5 | 2.754 / 25,2 | 4.716 / 40,8 | 2.826 / 25,2 | 4.851 / 40,8 | 5,7 |

ACCESSORIES

END CAPS - 2 pcs.

| | |
|--------|--------------------|
| black | FX50E-EC-BL |
| silver | FX50E-EC-SI |
| white | FX50E-EC-WH |



CUTOUT

| Size [mm] | width [mm] | depth [mm] |
|-----------|------------|------------|
| | 57 | 125 |

Alle Lumenangaben für 4000K, CRI>80, Gehäusefarbe weiß

All lumen values for 4000K, CRI>80, housing colour white

Toutes les données de lumens pour 4000K, CRI>80, couleur du boîtier blanc

ROUND90

Einbauleuchte | Recessed luminaire | Luminaire encastrable



Runde LED-Flächenleuchte zur Einbaumontage. Direktstrahlend mit umlaufendem Rahmen. Gehäuse und Einbaurahmen aus gerolltem Aluminiumprofil, nahtlos verschweißt. Fertigung der Leuchte inkl. Rahmen in vier Durchmessern: 380, 480, 680 und 980 mm mit einer Gesamthöhe von 93 mm. Benötigte Einbauhöhe 120mm. Oberfläche pulverbeschichtet feinststruktur matt ähnlich RAL 9016 weiß, RAL 9006 silber oder RAL 9005 schwarz – auf Anfrage in RAL nach Wahl. Die durchdachte Konstruktion der Leuchte ermöglicht ein Design in zahlreichen Farbkombinationen – zwischen Gehäusefarbe und Dekorring kann beliebig kombiniert werden. Um der Leuchtenfamilie neben den Standardfarben einen dekorativen Touch zu verleihen, steht der Dekorring auch in den strukturierten Spezialoberflächen schlaggold, schlagsilber und schlagbronze zur Auswahl. Diffusor in PMMA wahlweise opal, mikroprismatisch inkl. Streufole oder nur mikroprismatisch (office special) für eine reduzierte Leuchtdichte (UGR<19). Einfach Montage der Leuchte in den Einbaurahmen (separate Einheit) durch Einsetzen und Drehen. Der LED-Treiber wird als Einwurf-Gerät inkl. Zugentlastung mitgeliefert – wahlweise als on/off oder DALI-Variante. Farbtemperaturen 2700K, 3000K, 4000K oder dynamisch Weiß (2700K–6500K) – Farbwiedergabe CRI>80 oder CRI>90 – Mac Adam ≤3. Weitere Steuerungsoptionen oder Lichtfarben auf Anfrage möglich. Außerdem ist die Integration vieler Komponenten, wie beispielsweise Notlicht oder Sensortechnologie, sowie eine Vielzahl weiterer Optionen möglich.

Round LED luminaire for recessed mounting. Direct beam with surrounding frame. Housing and mounting frame made of rolled aluminium profile, seamlessly welded. Manufacture of luminaire incl. frame in four diameters: 380, 480, 680 and 980 mm with a total height of 93 mm. Required installation height 120mm. Surface powder coated fine structure matt similar to RAL 9016 white, RAL 9006 silver or RAL 9005 black - on request in RAL of your choice. The sophisticated construction of the luminaire allows a design in numerous colour combinations - any combination of housing colour and decorative ring is possible. To give the luminaire family a decorative touch in addition to the standard colours, the decorative ring is also available in the special textured surfaces beaten gold, beaten silver and beaten bronze. Diffuser in PMMA either opal, microprism incl. diffuser foil or only microprism (office special) for reduced luminance (UGR<19). Easy mounting of the luminaire in the mounting frame (separate unit) by inserting and turning. The LED driver is supplied as a throw-in unit incl. strain relief - either as on/off or DALI version. Colour temperatures 2700K, 3000K, 4000K or dynamic white (2700K-6500K) - colour rendering CRI>80 or CRI>90 - Mac Adam ≤3. Further control options or light colours available on request. In addition, the integration of many components, such as emergency lighting or sensor technology, as well as a variety of other options is possible.

Luminaire rond LED encastré. Éclairage direct avec cadre périphérique. Boîtier et cadre d'encastrement en profilé d'aluminium roulé, soudé sans soudure. Fabrication du luminaire, cadre inclus, en quatre diamètres : 380, 480, 680 et 980 mm avec une hauteur totale de 93 mm. Hauteur d'encastrement nécessaire : 120 mm. Surface revêtue par poudre, structure fine mate similaire à RAL 9016 blanc, RAL 9006 argent ou RAL 9005 noir - sur demande en RAL au choix. La construction bien pensée du luminaire permet un design dans de nombreuses combinaisons de couleurs - il est possible de combiner à volonté entre la couleur du boîtier et l'anneau décoratif. Pour donner à la famille de luminaires une touche décorative en plus des couleurs standard, l'anneau décoratif est également disponible dans les surfaces spéciales structurées or choc, argent choc et bronze choc. Diffuseur en PMMA au choix opale, microprismatique y compris feuille diffuseuse ou uniquement microprismatique (office special) pour un éblouissement réduit (UGR<19). Montage simple du luminaire dans le cadre d'encastrement (unité séparée) en l'insérant et en le tournant. Le driver LED est fourni sous forme d'appareil à insérer, décharge de traction incluse - au choix en version on/off ou DALI. Températures de couleur 2700K, 3000K, 4000K ou blanc dynamique (2700K-6500K) - Rendu des couleurs CRI>80 ou CRI>90 - Mac Adam ≤3. Autres options de commande ou couleurs de lumière possibles sur demande. En outre, l'intégration de nombreux composants, tels que l'éclairage de secours ou la technologie des capteurs, une multitude d'autres options sont possibles.

ÜBERSICHT | OVERVIEW | VUE D'ENSEMBLE

TECHNICAL DATA

2700K / 3000K / 4000K / 2700-6500K

CRI>80 / CRI>90

MacAdam ≤ 3

up to 174 lm/W

on-off / DALI

direct / direct + indirect

opal / microprism / office special (UGR <19)

LIFETIME

L80B10 50.000h

OPTIONS

emergency lighting

motion and day-light sensor

many more on demand



>80



>90



IP50



DALI



≤3



>50.000 h

HOUSING COLOUR

schwarz | black | noir
RAL 9005



silber | silver | argent
RAL 9006



weiß | white | blanc
RAL 9016



RAL-Farbe nach Wahl auf Anfrage
RAL colour of your choice on demand
Couleur RAL de votre choix sur demande



DECORATION RING COLOUR

schwarz | black | noir
RAL 9005



silber | silver | argent
RAL 9006



weiß | white | blanc
RAL 9016



RAL-Farbe nach Wahl auf Anfrage
RAL colour of your choice on demand
Couleur RAL de votre choix sur demande



schlaggold | beaten gold | or texturés



schlagsilber | beaten silver | argent texturés



schlagbronze | beaten bronze | bronze texturés



EINBAULEUCHE „ROUND90“
RECESSED LUMINAIRE “ROUND90”
LUMINAIRE ENCASTRABLE « ROUND90 »

Bestellbeispiel | Example order | Exemple de commande
 380 mm, CRI>90, 4000K, **direct**, low output on/off, black, beaten gold, microprism

RO90E - 359401 - LOBGM

1 2 3 4 5 6 7

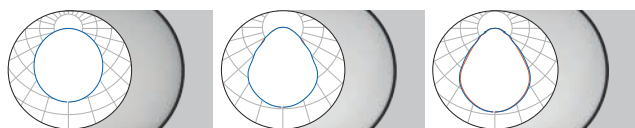
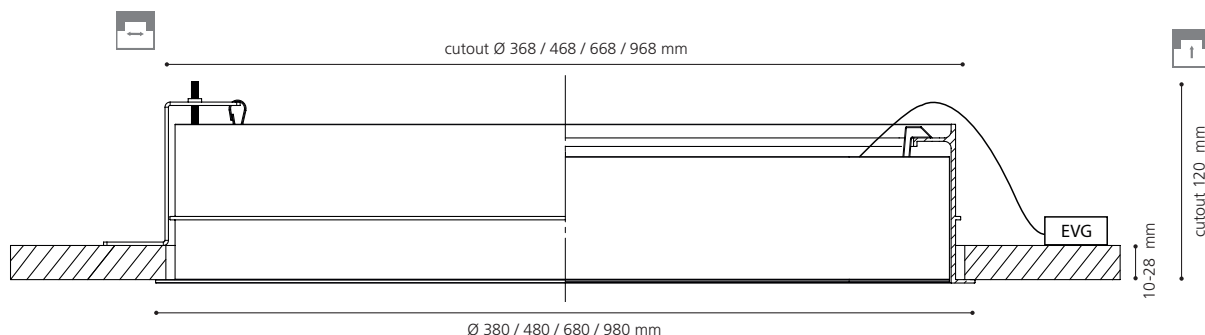
| | | |
|----------|---|-----------|
| 1 | DURCHMESSER DIAMETER DIAMÈTRE | |
| | 380 mm | 35 |
| | 480 mm | 45 |
| | 680 mm | 65 |
| | 980 mm | 95 |
| 2 | FARBWIEDERGABE COLOUR RENDERING RENDU DES COULEURS | |
| | CRI>80 | 8 |
| | CRI>90 | 9 |
| 3 | FARBTEMPERATUR COLOUR TEMPERATURE TEMPÉRATURE DE COULEUR | |
| | 2700K (CRI>90 only) | 27 |
| | 3000K | 30 |
| | 4000K | 40 |
| | 2700-6500K (CRI>90 only) | DW |

| | | |
|----------|--|-----------|
| 4 | LEISTUNG & STEUERUNG OUTPUT & CONTROL SORTIE & CONTRÔLE | |
| | low output on/off | LO |
| | low output DALI | LD |
| | high output on/off | HO |
| | high output DALI | HD |
| | dynamic white DALI DT8 | DW |

| | | |
|----------|---|----------|
| 5 | GEHÄUSEFARBE HOUSING COLOUR COULEUR DU BOÎTIER | |
| | silver RAL9006 | S |
| | white RAL9016 | W |
| | black RAL9005 | B |

| | | |
|----------|--|----------|
| 6 | DEKORRING FARBE DECORATION RING COLOUR BAGUE DÉCORATIVE COULEUR | |
| | silver RAL9006 | B |
| | white RAL9016 | S |
| | black RAL9005 | W |
| | beaten gold | G |
| | beaten silver | A |
| | beaten bronze | C |

| | | |
|----------|--|----------|
| 7 | DIFFUSOR DIFFUSER DIFFUSEUR | |
| | opal | O |
| | microprism | M |
| | office special | B |



| Size [mm] | opal direct | | microprism direct | | office special direct | | KG |
|-----------|-----------------------|------------------------|-----------------------|------------------------|-----------------------|------------------------|------|
| | low output [lm] / [W] | high output [lm] / [W] | low output [lm] / [W] | high output [lm] / [W] | low output [lm] / [W] | high output [lm] / [W] | |
| Ø 380 | 1.158 / 8,5 | 1.826 / 13 | 1.077 / 8,5 | 1.697 / 13 | 1.213 / 8,5 | 1.905 / 13 | 3,7 |
| Ø 480 | 2.257 / 15,5 | 3.561 / 23,5 | 2.099 / 15,5 | 3.309 / 23,5 | 2.364 / 15,5 | 3.715 / 23,5 | 5,2 |
| Ø 680 | 4.114 / 27 | 6.489 / 41 | 3.825 / 27 | 6.029 / 41 | 4.309 / 27 | 6.770 / 41 | 8,9 |
| Ø 980 | 9.102 / 57 | 14.360 / 86 | 8.466 / 57 | 13.342 / 86 | 8.466 / 57 | 13.342 / 86 | 15,5 |



CUTOUT

| Size [mm] | diameter [mm] | depth [mm] |
|-----------|---------------|------------|
| Ø 380 | Ø 368 | 120 |
| Ø 480 | Ø 468 | 120 |
| Ø 680 | Ø 668 | 120 |
| Ø 980 | Ø 968 | 120 |

Alle Lumenangaben für 4000K, CRI>80, Gehäusefarbe weiß
 All lumen values for 4000K, CRI>80, housing colour white
 Toutes les données de lumens pour 4000K, CRI>80, couleur du boîtier blanc

designDOT

Einbauleuchte | Recessed luminaire | Luminaire encastrable



Runder LED-Einbaustrahler direktstrahlend. Leuchte aus Aluminium-Druckguss mit einer Einbautiefe von 148 bzw. 171 mm. Durch den modularen Aufbau dieser Strahler-Familie gibt es die Leuchte wahlweise mit einem Durchmesser von 78 mm (Ausschnitt 68 mm) oder 110 mm (Ausschnitt 100 mm). Oberfläche der Leuchte feinstruktur matt pulverbeschichtet ähnlich RAL 9016 weiß oder ähnlich RAL 9005 schwarz. Das Baukasten-system ermöglicht das Auswählen von vier bzw. fünf unterschiedlichen Reflektoren: silber-hochglanz, silber-matt, schwarz-matt, gold-matt sowie silber-matt asymmetrisch für die Größe 110 mm. Die Leuchte kann wahlweise ohne Betriebsgerät oder inkl. LED-Treiber – on/off oder DALI – bestellt werden. Farbtemperaturen 2700K, 3000K oder 4000K – Farbwiedergabe CRI>90 – Mac Adam ≤3. Weitere Optionen und Konfigurationen auf Anfrage möglich.

Round recessed LED spotlight with direct beam. Luminaire made of die-cast aluminium with a mounting depth of 148 or 171 mm. Due to the modular design of this spotlight family, the luminaire is available either with a diameter of 78 mm (cut-out 68 mm) or 110 mm (cut-out 100 mm). Surface of the luminaire fine structure matt powder coated similar to RAL 9016 white or similar to RAL 9005 black. The modular system allows the selection of four or five different reflectors: silver specular, silver matt, black matt, gold matt as well as silver matt asymmetrical for the 110 mm size. The luminaire can be ordered either without power supply unit or incl. LED driver - on/off or DALI. Colour temperatures 2700K, 3000K or 4000K - colour rendering CRI>90 - Mac Adam ≤3. Further options and configurations available on request.

Spot LED rond à encastrer à éclairage direct. Luminaire en aluminium moulé sous pression avec une profondeur d'encastrement de 148 ou 171 mm. Grâce à la structure modulaire de cette famille de projecteurs, le luminaire est disponible au choix avec un diamètre de 78 mm (découpe de 68 mm) ou de 110 mm (découpe de 100 mm). La surface du luminaire est revêtue d'une structure fine mate, similaire au RAL 9016 blanc ou au RAL 9005 noir. Le système modulaire permet de choisir entre quatre ou cinq réflecteurs différents : argent brillant, argent mat, noir mat, or mat ainsi qu'argent mat asymétrique pour la taille 110 mm. Le luminaire peut être commandé au choix sans appareillage ou avec un pilote LED - on/off ou DALI. Températures de couleur 2700K, 3000K ou 4000K - Rendu des couleurs CRI>90 - Mac Adam ≤3. Autres options et configurations possibles sur demande.

ÜBERSICHT | OVERVIEW | VUE D'ENSEMBLE

TECHNICAL DATA

2700K / 3000K / 4000K

CRI>90

MacAdam ≤ 3

on-off / DALI

beam angle: 50° / 55° / asymmetric

LIFETIME

L80B10 50.000h

OPTIONS

emergency lighting

many more on demand



LED



CRI

>90



IP20



DALI



≤3



>50.000 h

HOUSING COLOUR

schwarz | black | noir
RAL 9005



weiß | white | blanc
RAL 9016



REFLECTOR COLOUR

silber hochglanz | silver specular |
argenté brillant



silber matt | silver matt | argenté mat



schwarz matt | black matt | noir mat



gold matt | gold matt | doré mat



EINBAULEUCHE „designDOT“
RECESSED LUMINAIRE “designDOT”
LUMINAIRE ENCASTRABLE « designDOT »

Bestellbeispiel | Example order | Exemple de commande
 78 mm, 55°, CRI>90, 4000K, direct, excl. driver, black, silver matt

DD68E - 559401 - OOBLM

1 2 3 4 5 6

| 1 DURCHMESSER DIAMETER DIAMÈTRE | |
|---------------------------------------|-----------|
| 78 mm | 68 |
| 110 mm | 10 |

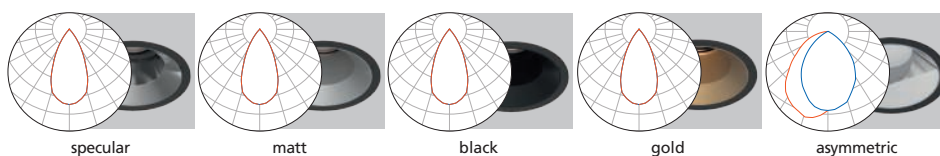
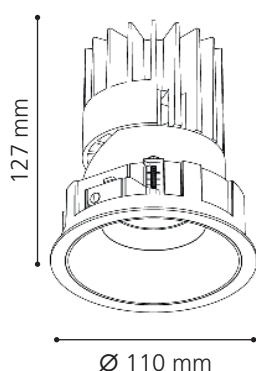
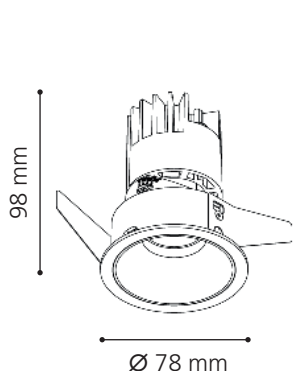
| 2 ABSTRAHLWINKEL BEAM ANGLE ANGLE DE DIFFUSION | |
|--|-----------|
| 50° (110 mm only) | 50 |
| 55° (78 mm only) | 55 |
| asymmetric (110 mm only) | AA |

| 3 FARBTEMPERATUR COLOUR TEMPERATURE TEMPÉRATURE DE COULEUR | |
|--|-----------|
| 2700K | 27 |
| 3000K | 30 |
| 4000K | 40 |

| 4 LEISTUNG & STEUERUNG OUTPUT & CONTROL SORTIE & CONTRÔLE | |
|---|-----------|
| excl. driver | NN |
| incl. driver on/off | OO |
| incl. driver DALI | DD |

| 5 GEHÄUSEFARBE HOUSING COLOUR COULEUR DU BOÎTIER | |
|--|-----------|
| white RAL9016 | WH |
| black RAL9005 | BL |

| 6 REFLEKTOR FARBE REFLECTOR COLOUR COULEUR DU RÉFLECTEUR | |
|--|----------|
| silver specular | S |
| silver matt | M |
| black matt | B |
| gold matt | G |
| asymmetric (110 mm only) | A |



| Size [mm] | specular single output [lm] / [W] | matt single output [lm] / [W] | black single output [lm] / [W] | gold single output [lm] / [W] | asymmetric single output [lm] / [W] | KG |
|-----------|--------------------------------------|----------------------------------|-----------------------------------|----------------------------------|--|-----|
| Ø 78 | 873 / 13 | 860 / 13 | 869 / 13 | 873 / 13 | - | 0,5 |
| Ø 110 | 1.382 / 20 | 1.389 / 20 | 1.389 / 20 | 1.382 / 20 | 553 / 20 | 0,8 |



CUTOUT

| Size [mm] | diameter [mm] | depth [mm] |
|-----------|---------------|------------|
| Ø 78 | Ø 68 | 148 |
| Ø 110 | Ø 100 | 171 |

Alle Lumenangaben für 4000K
 All lumen values for 4000K
 Toutes les données de lumens pour 4000K

designSQOT

EINBAULEUCHTE | RECESSED LUMINAIRE | LUMINAIRE ENCASTRABLE



Quadratischer LED-Einbaustrahler direktstrahlend. Leuchte aus Aluminium-Druckguss mit einer Einbautiefe von 148 bzw. 171 mm. Durch den modularen Aufbau dieser Strahler-Familie gibt es die Leuchte wahlweise mit den Abmessungen 78x78 mm (Ausschnitt 68x68 mm) oder 107x107 mm (Ausschnitt 96x96 mm). Oberfläche der Leuchte feinstruktur matt pulverbeschichtet ähnlich RAL 9016 weiß oder ähnlich RAL 9005 schwarz. Das Baukastensystem ermöglicht das Auswählen von vier bzw. fünf unterschiedlichen Reflektoren: silberhochglanz, silber-matt, schwarz-matt, gold-matt sowie silber-matt asymmetrisch für die Größe 107x107 mm. Die Leuchte kann wahlweise ohne Betriebsgerät oder inkl. LED-Treiber – on/off oder DALI – bestellt werden. Farbtemperaturen 2700K, 3000K oder 4000K – Farbwidrigkeit CRI>90 – Mac Adam ≤3. Weitere Optionen und Konfigurationen auf Anfrage möglich.

Square recessed LED spotlight with direct beam. Luminaire made of die-cast aluminium with a mounting depth of 148 or 171 mm. Due to the modular design of this spotlight family, the luminaire is available either with the dimensions 78x78 mm (cut-out 68x68 mm) or 107x107 mm (cut-out 96x96 mm). Surface of the luminaire fine structure matt powder coated similar to RAL 9016 white or similar to RAL 9005 black. The modular system allows the selection of four or five different reflectors: silver specular, silver matt, black matt, gold matt as well as silver matt asymmetrical for the size 107x107 mm. The luminaire can be ordered either without power supply unit or incl. LED driver - on/off or DALI. Colour temperatures 2700K, 3000K or 4000K - colour rendering CRI>90 - Mac Adam ≤3. Further options and configurations available on request.

Spot LED encastré carré à éclairage direct. Luminaire en aluminium moulé sous pression avec une profondeur d'encastrément de 148 ou 171 mm. Grâce à la structure modulaire de cette famille de projecteurs, le luminaire est disponible au choix dans les dimensions 78x78 mm (découpe 68x68 mm) ou 107x107 mm (découpe 96x96 mm). La surface du luminaire est revêtue d'une structure fine mate, similaire au RAL 9016 blanc ou au RAL 9005 noir. Le système modulaire permet de choisir entre quatre ou cinq réflecteurs différents : argent brillant, argent mat, noir mat, or mat ainsi qu'argent mat asymétrique pour la taille 107x107 mm. Le luminaire peut être commandé au choix sans appareillage ou avec un pilote LED - on/off ou DALI. Températures de couleur 2700K, 3000K ou 4000K - Rendu des couleurs CRI>90 - Mac Adam ≤3. Autres options et configurations possibles sur demande.

ÜBERSICHT | OVERVIEW | VUE D'ENSEMBLE

TECHNICAL DATA

2700K / 3000K / 4000K

CRI>90

MacAdam ≤ 3

on-off / DALI

beam angle: 50° / 55° / asymmetric

LIFETIME

L80B10 50.000h

OPTIONS

emergency lighting

many more on demand



>90

IP20

DALI

≤3

>50.000 h

HOUSING COLOUR

schwarz | black | noir
RAL 9005



weiß | white | blanc
RAL 9016



REFLECTOR COLOUR

silber hochglanz | silver specular |
argenté brillant



silber matt | silver matt | argenté mat



schwarz matt | black matt | noir mat



gold matt | gold matt | doré mat



EINBAULEUCHE „designSQOT“
RECESSED LUMINAIRE“designSQOT“
LUMINAIRE ENCASTRABLE « designSQOT »

Bestellbeispiel | Example order | Exemple de commande
 78 x 78 mm, 55°, CRI>90, 4000K, **direct**, excl. driver, black, silver matt

DS68E - 559401 - OOBLM

① ② ③ ④ ⑤ ⑥

| 1 GRÖSSE SIZE TAILLE | | |
|----------------------------|--|-----------|
| 78 x 78 mm | | 68 |
| 107 x 107 mm | | 10 |

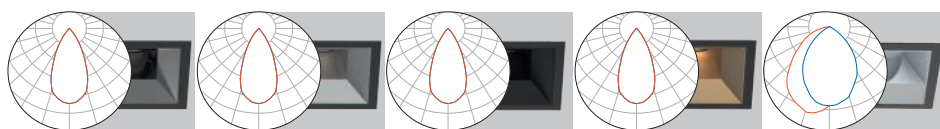
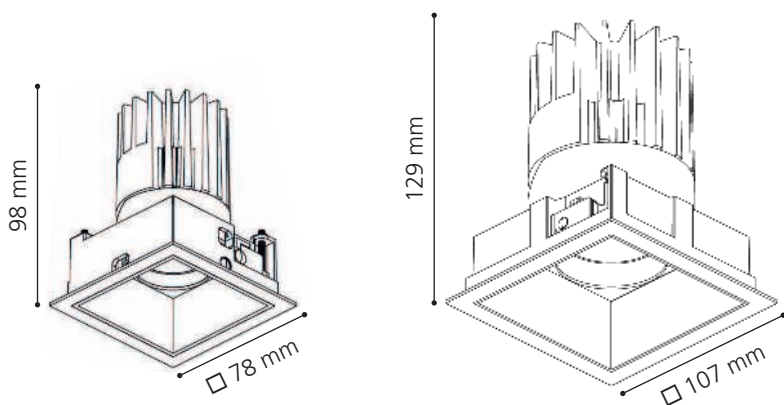
| 2 ABSTRAHLWINKEL BEAM ANGLE ANGLE DE DIFFUSION | | |
|--|--|-----------|
| 50° (107 mm only) | | 50 |
| 55° (78 mm only) | | 55 |
| asymmetric (107 mm only) | | AA |

| 3 FARBTEMPERATUR COLOUR TEMPERATURE TEMPÉRATURE DE COULEUR | | |
|--|--|-----------|
| 2700K | | 27 |
| 3000K | | 30 |
| 4000K | | 40 |

| 4 LEISTUNG & STEUERUNG OUTPUT & CONTROL SORTIE & CONTRÔLE | | |
|---|--|-----------|
| excl. driver | | NN |
| incl. driver on/off | | OO |
| incl. driver DALI | | DD |

| 5 GEHÄUSEFARBE HOUSING COLOUR COULEUR DU BOÎTIER | | |
|--|--|-----------|
| white RAL9016 | | WH |
| black RAL9005 | | BL |

| 6 REFLEKTOR FARBE REFLECTOR COLOUR COULEUR DU RÉFLECTEUR | | |
|--|--|----------|
| silver specular | | S |
| silver matt | | M |
| black matt | | B |
| gold matt | | G |
| asymmetric (107 mm only) | | A |



| Size [mm] | specular single output [lm] / [W] | matt single output [lm] / [W] | black single output [lm] / [W] | gold single output [lm] / [W] | asymmetric single output [lm] / [W] | KG |
|-----------|--------------------------------------|----------------------------------|-----------------------------------|----------------------------------|--|-----|
| □ 78 | 873 / 13 | 860 / 13 | 869 / 13 | 873 / 13 | - | 0,5 |
| □ 107 | 1.382 / 20 | 1.389 / 20 | 1.389 / 20 | 1.382 / 20 | 553 / 20 | 0,8 |



CUTOUT

| Size [mm] | cutout [mm] | depth [mm] |
|-----------|-------------|------------|
| □ 78 | □ 68 | 148 |
| □ 107 | □ 96 | 171 |

Alle Lumenangaben für 4000K
 All lumen values for 4000K
 Toutes les données de lumens pour 4000K



Runder LED-Einbaudownlight direktstrahlend. Leuchte aus Aluminium-Druckguss mit einer Einbautiefe von 122, 150 bzw. 180 mm. Durch den modularen Aufbau dieser Strahler-Familie gibt es die Leuchte wahlweise mit einem Durchmesser von 84 mm (Ausschnitt 75 mm), 162 mm (Ausschnitt 150 mm) oder 216 mm (Ausschnitt 200 mm). Oberfläche der Leuchte feinstruktur matt pulverbeschichtet ähnlich RAL 9016 weiß oder ähnlich RAL 9005 schwarz. Das Baukastensystem ermöglicht das Auswählen von zwei unterschiedliche Reflektor-Farben: silber-matt oder schwarz-matt für eine reduzierte Leuchtdichte (UGR<19). Die Leuchte kann wahlweise ohne Betriebsgerät oder inkl. LED-Treiber in verschiedenen Leistungsstufen – on/off oder DALI – bestellt werden. Farbtemperaturen 3000K oder 4000K für alle Größen, dynamisch Weiß (2700K–6500K) nur für die Größen 162 und 216 mm – Farbwiedergabe CRI>90 – Mac Adam ≤3. Weitere Optionen und Konfigurationen auf Anfrage möglich.

Round recessed LED downlight with direct beam. Luminaire made of die-cast aluminium with a mounting depth of 122, 150 or 180 mm. Due to the modular design of this spotlight family, the luminaire is available either with a diameter of 84 mm (cut-out 75 mm), 162 mm (cut-out 150 mm) or 216 mm (cut-out 200 mm). Surface of the luminaire fine structure matt powder coated similar to RAL 9016 white or similar to RAL 9005 black. The modular system allows the selection of two different reflector colours: matt silver or matt black for reduced luminance (UGR<19). The luminaire can be ordered either without power supply unit or incl. LED driver in various power levels - on/off or DALI. Colour temperatures 3000K or 4000K for all sizes, dynamic white (2700K-6500K) only for sizes 162 and 216 mm - colour rendering CRI>90 - Mac Adam ≤3. Further options and configurations available on request.

Spot LED rond à encastrer à éclairage direct. Luminaire en aluminium moulé sous pression avec une profondeur d'encastrement de 148 ou 171 mm. Grâce à la structure modulaire de cette famille de projecteurs, le luminaire est disponible au choix avec un diamètre de 78 mm (découpe de 68 mm) ou de 110 mm (découpe de 100 mm). La surface du luminaire est revêtue d'une structure fine mate, similaire au RAL 9016 blanc ou au RAL 9005 noir. Le système modulaire permet de choisir entre quatre ou cinq réflecteurs différents : argent brillant, argent mat, noir mat, or mat ainsi qu'argent mat asymétrique pour la taille 110 mm. Le luminaire peut être commandé au choix sans appareillage ou avec un pilote LED - on/off ou DALI. Températures de couleur 2700K, 3000K ou 4000K - Rendu des couleurs CRI>90 - Mac Adam ≤3. Autres options et configurations possibles sur demande.

ÜBERSICHT | OVERVIEW | VUE D'ENSEMBLE

TECHNICAL DATA

3000K / 4000K / 2700-6500K

CRI>90

MacAdam ≤ 3

on-off / DALI

beam angle: 50° / 60°

LIFETIME

L80B10 50.000h

OPTIONS

emergency lighting

many more on demand



>90

IP54

DALI

≤3

>50.000 h

HOUSING COLOUR

schwarz | black | noir
RAL 9005



weiß | white | blanc
RAL 9016



REFLECTOR COLOUR

silber matt | silver matt | argenté mat



schwarz matt | black matt | noir mat



EINBAULEUCHTE „techDOT“
RECESSED LUMINAIRE “techDOT”
LUMINAIRE ENCASTRABLE « techDOT »

Bestellbeispiel | Example order | Exemple de commande
 162 mm, 60°, CRI>90, 4000K, direct, low output on/off, black, silver matt

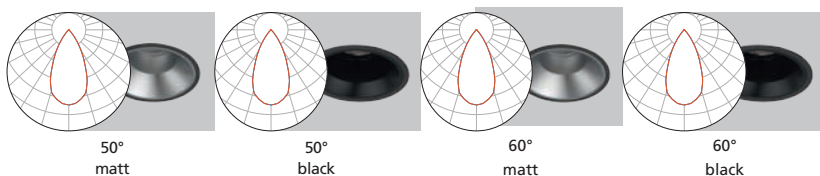
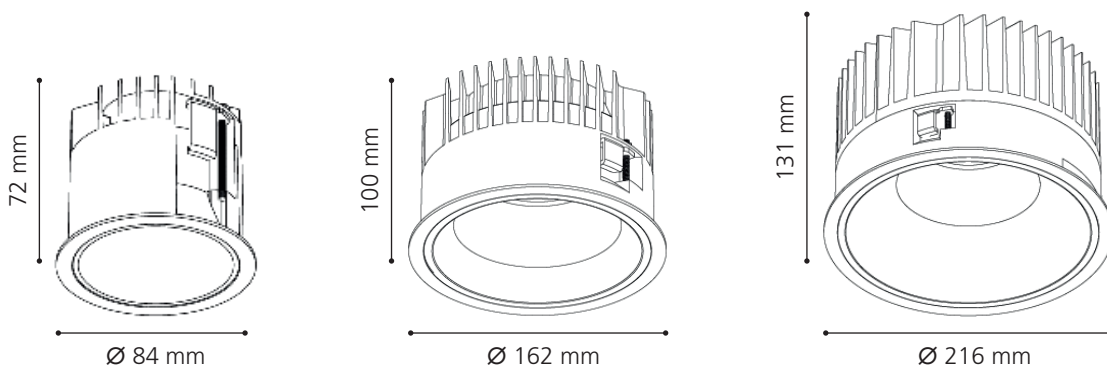
TD15E - 609401 - LOBLM

1 2 3 4 5 6

| | | |
|----------|---|-----------|
| 1 | DURCHMESSER DIAMETER DIAMÈTRE | |
| | 84 mm (NN, OO, DD only) | 75 |
| | 162 mm | 15 |
| | 216 mm | 20 |
| 2 | ABSTRAHLWINKEL BEAM ANGLE ANGLE DE DIFFUSION | |
| | 50° (84 mm only) | 50 |
| | 60° (162 & 216 mm only) | 60 |
| 3 | FARBTEMPERATUR COLOUR TEMPERATURE TEMPÉRATURE DE COULEUR | |
| | 3000K | 30 |
| | 4000K | 40 |
| | 2700-6500K | DW |

| | | |
|----------|--|-----------|
| 4 | LEISTUNG & STEUERUNG OUTPUT & CONTROL SORTIE & CONTRÔLE | |
| | excl. driver | NN |
| | driver on/off (84 mm only) | OO |
| | driver DALI (84 mm only) | DD |
| | low output on/off | LO |
| | low output DALI (DM 216 mm only) | LD |
| | high output on/off | HO |
| | high output DALI | HD |
| | dynamic white DALI DT8 | DW |

| | | |
|----------|---|-----------|
| 5 | GEHÄUSEFARBE HOUSING COLOUR COULEUR DU BOÎTIER | |
| | white RAL9016 | WH |
| | black RAL9005 | BL |
| 6 | REFLEKTOR FARBE REFLECTOR COLOUR COULEUR DU RÉFLECTEUR | |
| | silver matt | M |
| | black matt | B |



| Size [mm] | output [lm] / [W] | output [lm] / [W] | low output [lm] / [W] | high output [lm] / [W] | low output [lm] / [W] | high output [lm] / [W] | KG |
|-----------|-------------------|-------------------|-----------------------|------------------------|-----------------------|------------------------|-----|
| Ø 84 | 1.077 / 13,5 | 1.070 / 13,5 | - | - | - | - | 0,8 |
| Ø 162 | - | - | 1.333 / 15,5 | 2.399 / 29 | 1.277 / 15,5 | 2.299 / 29 | 1,1 |
| Ø 216 | - | - | 2.350 / 26 | 4.700 / 52 | 2.300 / 26 | 4.600 / 52 | 2,0 |



CUTOUT

| Size [mm] | diameter [mm] | depth [mm] |
|-----------|---------------|------------|
| Ø 84 | Ø 75 | 122 |
| Ø 162 | Ø 150 | 150 |
| Ø 216 | Ø 200 | 180 |

Alle Lumenangaben für 4000K
 All lumen values for 4000K
 Toutes les données de lumens pour 4000K

techSQOT

EINBAULEUCHE | RECESSED LUMINAIRE | LUMINAIRE ENCASTRABLE



Quadratischer LED-Einbaudownlight direktstrahlend. Leuchte aus Aluminium-Druckguss mit einer Einbautiefe von 150 bzw. 180 mm. Durch den modularen Aufbau dieser Strahler-Familie gibt es die Leuchte wahlweise mit den Abmessungen 167x167 mm (Ausschnitt 150x150 mm) oder 216x216 mm (Ausschnitt 200x200 mm). Oberfläche der Leuchte feinstruktur matt pulverbeschichtet ähnlich RAL 9016 weiß oder ähnlich RAL 9005 schwarz. Das Baukastensystem ermöglicht das Auswählen von zwei unterschiedlichen Reflektor-Farben: silber-matt oder schwarz-matt für eine reduzierte Leuchtdichte (UGR<19). Die Leuchte kann wahlweise ohne Betriebsgerät oder inkl. LED-Treiber in verschiedenen Leistungsstufen – on/off oder DALI – bestellt werden. Farbtemperaturen 3000K, 4000K oder dynamisch Weiß (2700K–6500K) – Farbwiedergabe CRI>90 – Mac Adam ≤3. Weitere Optionen und Konfigurationen auf Anfrage möglich.

Square recessed LED downlight with direct beam. Luminaire made of die-cast aluminium with a mounting depth of 150 or 180 mm. Due to the modular design of this spotlight family, the luminaire is available either with the dimensions 167x167 mm (cut-out 150x150 mm) or 216x216 mm (cut-out 200x200 mm). Surface of the luminaire fine structure matt powder coated similar to RAL 9016 white or similar to RAL 9005 black. The modular system allows the selection of two different reflector colours: matt silver or matt black for reduced luminance (UGR<19). The luminaire can either be ordered without power supply unit or incl. LED driver in various power levels - on/off or DALI. Colour temperatures 3000K, 4000K or dynamic white (2700K-6500K) - colour rendering CRI>90 - Mac Adam ≤3. Further options and configurations available on request.

Spot encastré à LED carré à éclairage direct. Luminaire en aluminium moulé sous pression avec une profondeur d'encastrément de 150 ou 180 mm. Grâce à la structure modulaire de cette famille de projecteurs, le luminaire est disponible au choix avec les dimensions 167x167 mm (découpe 150x150 mm) ou 216x216 mm (découpe 200x200 mm). La surface du luminaire est revêtue d'une structure fine mate, similaire au RAL 9016 blanc ou au RAL 9005 noir. Le système modulaire permet de choisir entre deux couleurs de réflecteur différentes : argent mat ou noir mat pour un éblouissement réduit (UGR<19). Le luminaire peut être commandé au choix sans appareillage ou avec un pilote LED à différents niveaux de puissance - on/off ou DALI. Températures de couleur 3000K, 4000K ou blanc dynamique (2700K-6500K) - Rendu des couleurs CRI>90 - Mac Adam ≤3. Autres options et configurations possibles sur demande.

ÜBERSICHT | OVERVIEW | VUE D'ENSEMBLE

TECHNICAL DATA

3000K / 4000K / 2700-6500K

CRI>90

MacAdam ≤ 3

on-off / DALI

beam angle: 70°

LIFETIME

L80B10 50.000h

OPTIONS

emergency lighting

many more on demand



>90

IP54

DALI

≤3

>50.000 h

HOUSING COLOUR

schwarz | black | noir
RAL 9005



weiß | white | blanc
RAL 9016



REFLECTOR COLOUR

silber matt | silver matt | argenté mat



schwarz matt | black matt | noir mat



EINBAULEUCHE „techSQOT“
 RECESSED LUMINAIRE “techSQOT”
 LUMINAIRE ENCASTRABLE « techSQOT »

Bestellbeispiel | Example order | Exemple de commande
 167 x 167 mm, 70°, CRI>90, 4000K, direct, low output on/off, black, silver matt

TS15E - 709401 - LOBLM

1 2 3 4 5

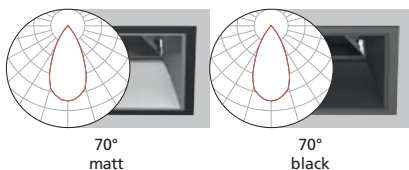
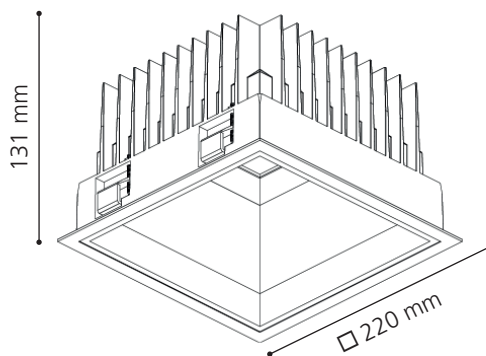
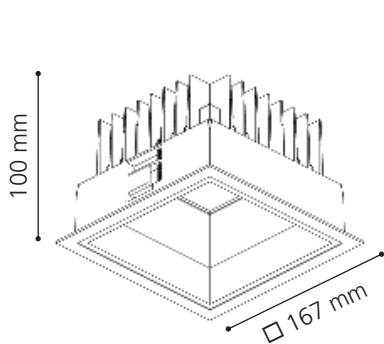
| 1 GRÖSSE SIZE TAILLE | |
|----------------------------|----|
| 167 x 167 mm | 15 |
| 220 x 220 mm | 20 |

| 2 FARBTEMPERATUR COLOUR TEMPERATURE TEMPÉRATURE DE COULEUR | |
|--|----|
| 3000K | 30 |
| 4000K | 40 |
| 2700-6500K | DW |

| 3 LEISTUNG & STEUERUNG OUTPUT & CONTROL SORTIE & CONTRÔLE | |
|---|----|
| excl. driver | NN |
| low output on/off | LO |
| low output DALI | LD |
| high output on/off (220 mm only) | HO |
| high output DALI | HD |
| dynamic white DALI DT8 | DW |

| 4 GEHÄUSEFARBE HOUSING COLOUR COULEUR DU BOÎTIER | |
|--|----|
| white RAL9016 | WH |
| black RAL9005 | BL |

| 5 REFLEKTOR FARBE REFLECTOR COLOUR COULEUR DU RÉFLECTEUR | |
|--|---|
| silver matt | M |
| black matt | B |



| Size [mm] | 70° matt | | 70° black | | KG |
|-----------|-----------------------|------------------------|-----------------------|------------------------|-----|
| | low output [lm] / [W] | high output [lm] / [W] | low output [lm] / [W] | high output [lm] / [W] | |
| □ 167 | 1.333 / 15,5 | 2.399 / 29 | 1.277 / 15,5 | 2.299 / 29 | 1,1 |
| □ 220 | 2.350 / 26 | 4.700 / 52 | 2.300 / 26 | 4.600 / 52 | 1,8 |



CUTOUT

| Size [mm] | cutout [mm] | depth [mm] |
|-----------|-------------|------------|
| □ 167 | □ 150 | 150 |
| □ 220 | □ 200 | 180 |

Alle Lumenangaben für 4000K
 All lumen values for 4000K
 Toutes les données de lumens pour 4000K

OVERVIEW

SCHIENENSTRAHLER | TRACK SPOTLIGHTS | *PROJECTEURS SUR RAIL*



trackS
166



trackM
168

SCHIENENSTRAHLER

TRACK SPOTLIGHTS
PROJECTEURS SUR RAIL



LED 3-Phasenschienen-Strahler direktstrahlend. Leuchte aus Aluminium-Druckguss mit einem Durchmesser von 55 mm und einer Höhe von 150 mm. Durch den modularen Aufbau dieser Strahler-Familie gibt es die Leuchte wahlweise mit einem Ausstrahlwinkel von 18°, 36° oder 50°. Oberfläche der Leuchte feinstruktur matt pulverbeschichtet ähnlich RAL 9016 weiß oder ähnlich RAL 9005 schwarz. Ausblending des Strahlers schwarz matt. Die Leuchte kann wahlweise mit inTrack-Adapter on/off oder DALI bestellt werden. Farbtemperaturen 2700K, 3000K oder 4000K – Farbwiedergabe CRI>90 – Mac Adam ≤3. Weitere Optionen und Konfigurationen auf Anfrage möglich.

LED 3-phase track spotlight direct beam. Luminaire made of die-cast aluminium with a diameter of 55 mm and a height of 150 mm. Due to the modular design of this spotlight family, the luminaire is either available with a beam angle of 18°, 36° or 50°. Surface of the luminaire fine structure matt powder coated similar to RAL 9016 white or similar to RAL 9005 black. Fade-out ring of the spotlight matt black. The luminaire can be ordered with inTrack adapter either on/off or DALI. Colour temperatures 2700K, 3000K or 4000K - colour rendering CRI>90 - Mac Adam ≤3. Further options and configurations available on request.

Projecteur LED triphasé sur rail à éclairage direct. Luminaire en aluminium moulé sous pression d'un diamètre de 55 mm et d'une hauteur de 150 mm. Grâce à la structure modulaire de cette famille de projecteurs, le luminaire est disponible au choix avec un angle de rayonnement de 18°, 36° ou 50°. Surface du luminaire à structure fine, revêtement par poudre mat similaire à RAL 9016 blanc ou similaire à RAL 9005 noir. Anneau du projecteur noir mat. Le luminaire peut être commandé au choix avec un adaptateur inTrack on/off ou DALI. Températures de couleur 2700K, 3000K ou 4000K - Rendu des couleurs CRI>90 - Mac Adam ≤3. Autres options et configurations possibles sur demande.

ÜBERSICHT | OVERVIEW | VUE D'ENSEMBLE

TECHNICAL DATA

2700K / 3000K / 4000K

CRI>90

MacAdam ≤ 3

inTrack adapter: on-off / DALI

beam angle: 18° / 36° / 50°

LIFETIME

L80B10 50.000h

OPTIONS

different control options

many more on demand



>90

IP20

DALI

≤3

>50.000 h

HOUSING COLOUR

schwarz | black | noir
RAL 9005



weiß | white | blanc
RAL 9016



REFLECTOR COLOUR

schwarz matt | black matt | noir mat



SCHIENENSTRAHLER „trackS“
 TRACK SPOTLIGHT “trackS”
 PROJECTEUR SUR RAIL « trackS »

Bestellbeispiel | Example order | Exemple de commande
 36°, CRI>90, 4000K, **direct**, inTrack adapter on/off, black, **black**

TS55T - 369401 - OOBLB

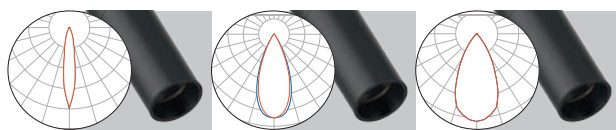
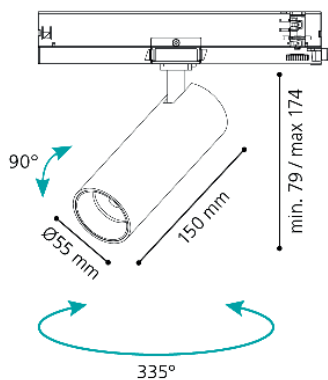
1 2 3 4


| 1 ABSTRAHLWINKEL BEAM ANGLE ANGLE DE DIFFUSION | |
|--|----|
| 18° | 18 |
| 36° | 36 |
| 50° | 50 |

| 2 FARBTEMPERATUR COLOUR TEMPERATURE TEMPÉRATURE DE COULEUR | |
|--|----|
| 2700K | 27 |
| 3000K | 30 |
| 4000K | 40 |

| 3 LEISTUNG & STEUERUNG OUTPUT & CONTROL SORTIE & CONTRÔLE | |
|---|----|
| on/off | OO |
| DALI (Stucchi, ONEtrack/Global) | DD |

| 4 GEHÄUSEFARBE HOUSING COLOUR COULEUR DU BOÎTIER | |
|--|----|
| white RAL9016 | WH |
| black RAL9005 | BL |



| Size [mm] | output [lm] / [W] | output [lm] / [W] | output [lm] / [W] |  [kg] |
|-----------|-------------------|-------------------|-------------------|--|
| trackS | 1.202 / 15,4 | 1.293 / 15,4 | 1.309 / 15,4 | 1,1 |

Alle Lumenangaben für 4000K
 All lumen values for 4000K
 Toutes les données de lumens pour 4000K



LED3-Phasen-Schienen-Strahler direktstrahlend. Leuchte aus Aluminium-Druckguss mit einem Durchmesser von 72 mm und einer Höhe von 150 mm. Durch den modularen Aufbau dieser Strahler-Familie gibt es die Leuchte wahlweise mit einem Ausstrahlwinkel von 20° oder 55°. Oberfläche der Leuchte feinstruktur matt pulverbeschichtet ähnlich RAL 9016 weiß oder ähnlich RAL 9005 schwarz. Ausblending des Strahlers schwarz matt. Die Leuchte kann wahlweise mit inTrack-Adapter on/off oder DALI bestellt werden. Farbtemperaturen 2700K, 3000K, 4000K sowie special-COB LEDs für Fashion (3250K), Backwaren, Fleisch, Wurst, Fisch oder Gemüse – Farbwiedergabe CRI>90 bzw. CRI>95 für Fashion – Mac Adam ≤3. Weitere Optionen und Konfigurationen auf Anfrage möglich.

LED 3-phase track spotlight direct beam. Luminaire made of die-cast aluminium with a diameter of 72 mm and a height of 150 mm. Due to the modular design of this spotlight family, the luminaire is either available with a beam angle of 20° or 55°. Surface of the luminaire fine structure matt powder coated similar to RAL 9016 white or similar to RAL 9005 black. Fade-out ring of the spotlight black matt. The luminaire can be ordered with inTrack adapter either on/off or DALI. Colour temperatures 2700K, 3000K, 4000K as well as special COB LEDs for fashion (3250K), bakery, meat, sausage, fish or vegetables - colour rendering CRI>90 or CRI>95 for fashion - Mac Adam ≤3. Other options and configurations available upon request.

Projecteur LED triphasé sur rail à éclairage direct. Luminaire en aluminium moulé sous pression d'un diamètre de 72 mm et d'une hauteur de 150 mm. Grâce à la structure modulaire de cette famille de projecteurs, le luminaire est disponible au choix avec un angle de rayonnement de 20° ou de 55°. Surface du luminaire à structure fine, revêtement par poudre mat similaire à RAL 9016 blanc ou similaire à RAL 9005 noir. Anneau du projecteur noir mat. Le luminaire peut être commandé au choix avec un adaptateur inTrack on/off ou DALI. Températures de couleur 2700K, 3000K, 4000K ainsi que LED COB spéciales pour la mode (3250K) et l'alimentaire - Rendu des couleurs CRI>90 ou CRI>95 pour la mode - Mac Adam ≤3. Autres options et configurations possibles sur demande

ÜBERSICHT | OVERVIEW | VUE D'ENSEMBLE

TECHNICAL DATA

2700K / 3000K / 4000K / many special COBs

CRI>90 / CRI>95 (fashion)

MacAdam ≤ 3

inTrack adapter: on-off / DALI

beam angle: 20° / 55°

LIFETIME

L80B10 50.000h

OPTIONS

different control options

many more on demand

HOUSING COLOUR

schwarz | black | noir
RAL 9005

weiß | white | blanc
RAL 9016

REFLECTOR COLOUR

schwarz matt | black matt | noir mat



>90

IP20

DALI

≤3

>50.000 h

SCHIENENSTRAHLER „trackM“
TRACK SPOTLIGHT “trackM”
PROJECTEUR SUR RAIL « trackM »

Bestellbeispiel | Example order | Exemple de commande
 20°, CRI>90, 4000K, direct, inTrack adapter on/off, black, black

TM72T - 209401 - OOBLB

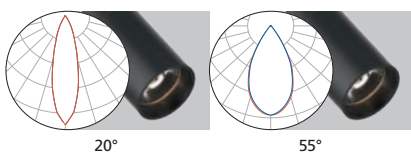
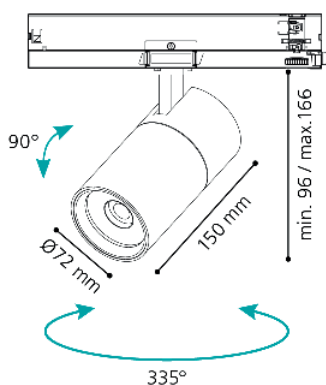
1 2 3 4

| 1 ABSTRAHLWINKEL BEAM ANGLE ANGLE DE DIFFUSION | |
|--|----|
| 20° | 20 |
| 55° | 55 |

| 2 FARBTEMPERATUR COLOUR TEMPERATURE TEMPÉRATURE DE COULEUR | |
|--|----|
| 2700K | 27 |
| 3000K | 30 |
| fashion 3500K (CRI>95) | 35 |
| 4000K | 40 |
| bakery | BA |
| meat | ME |
| sausage | SA |
| fish | FI |
| vegetables | VE |

| 3 LEISTUNG & STEUERUNG OUTPUT & CONTROL SORTIE & CONTRÔLE | |
|---|----|
| on/off | OO |
| DALI (Stucchi, ONEtrack/Global) | DD |

| 4 GEHÄUSEFARBE HOUSING COLOUR COULEUR DU BOÎTIER | |
|--|----|
| white RAL9016 | WH |
| black RAL9005 | BL |



| Size [mm] | output [lm] / [W] | output [lm] / [W] | [kg] |
|-----------|-------------------|-------------------|------|
| trackM | 2.100 / 26,6 | 2.050 / 26,6 | 1,5 |

Alle Lumenangaben für 4000K
 All lumen values for 4000K
 Toutes les données de lumens pour 4000K

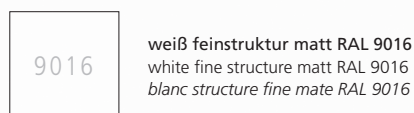
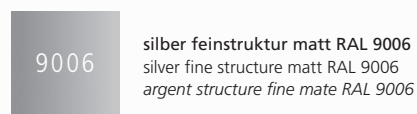
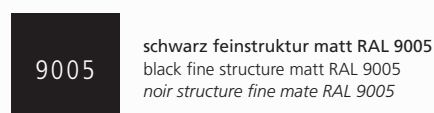
FARBENVARIABILITÄT GEHÄUSEFARBEN NACH RAL

COLOUR VARIABILITY – RAL HOUSING COLOURS

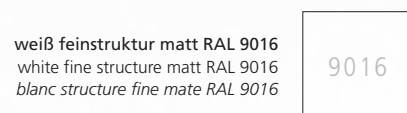
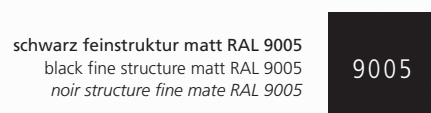
VARIABILITÉ DES COULEURS – COULEURS DU BOÎTIER RAL

Standardfarben
default colours
couleurs par défaut

GEHÄUSE | HOUSING | LOGEMENT



DEKORRING | DECORATION RING | DÉCOR ANNEAU
ROUND90 & SQUARE90



schlaggold
beaten gold
or texturés



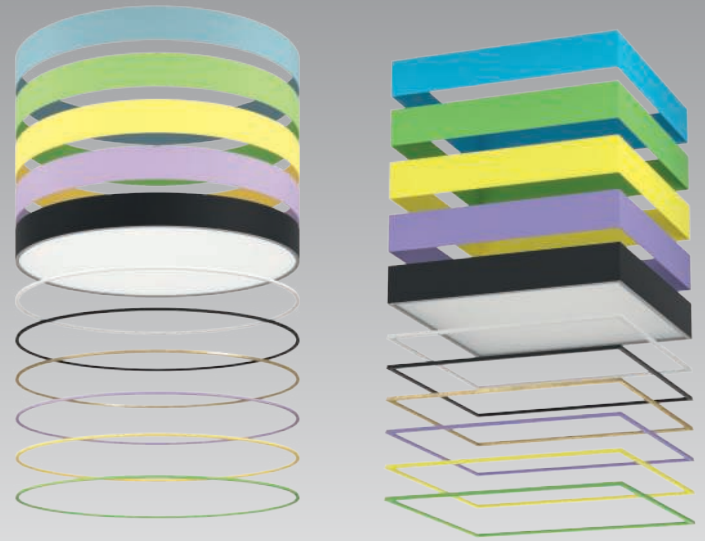
schlagsilber
beaten silver
argent texturés



schlagbronze
beaten bronze
bronze texturés

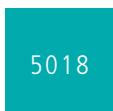


RAL-Farbe nach Wahl auf Anfrage
 RAL colour of your choice on demand
 couleur RAL de votre choix sur demande



| | | | | | | | | | |
|------|------|------|------|------|------|------|------|------|--|
| 1001 | 1003 | 1004 | 1013 | 1014 | | | | | |
| 1015 | 1016 | 1018 | 1019 | 1021 | | | | | |
| 1023 | 1035 | 1036 | 2000 | 2001 | | | | | |
| 2003 | 2008 | 2009 | 3000 | 3002 | 3003 | 3009 | 3011 | 3013 | |
| 3016 | 3018 | 3020 | 3031 | 3032 | 3033 | 4005 | 4010 | 4011 | |
| 4012 | 5002 | 5004 | 5010 | 5012 | 5013 | 5018 | 5023 | 5024 | |
| 5025 | 5026 | 6013 | 6014 | 6017 | 6018 | 6019 | 6027 | 6034 | |
| 7001 | 7004 | 7006 | 7011 | 7012 | 7013 | 7015 | 7016 | 7021 | |
| 7022 | 7024 | 7030 | 7031 | 7032 | 7035 | 7037 | 7038 | 7039 | |
| 7043 | 7044 | 7047 | 7048 | 8003 | 8011 | 8012 | 8016 | 8017 | |
| 8019 | 8024 | 8028 | 8029 | 9001 | 9003 | 9011 | 9017 | 9022 | |

EGLO colour RAL 5018




LEGENDE & PIKTOGRAMME

LEGEND & PICTOGRAMS | *LÉGENDE & PICTOGRAMMES*

FASSUNGEN | SOCKETS | *DOUILLES*

LED LED

FUNKTIONEN & KOMFORT | FONCTIONS & CONFORT

| | |
|---|---|
|  | Colour Rendering Index |
|  | MacADAM Step |
|  | Lebensdauer lifetime <i>durée de vie</i> |
|  | dimmbar dimmable <i>graduable</i> |
|  | nicht dimmbar not dimmable <i>ne pas graduable</i> |
|  | vereinheitlichte Blendungsbewertung unified Glare Rating <i>d'Évaluation unifiée de l'éblouissement</i> |
|  | Ausstrahlwinkel beam angle <i>angle de rayonnement</i> |
|  | schwenkbar swiveling <i>tournant</i> |
|  | drehbar rotatable <i>rotatif</i> |
|  | Ausschnitt (in mm) cutout (in mm) <i>perçage du panneau (en mm)</i> |
|  | Ausschnitt (in mm) cutout (in mm) <i>perçage du panneau (en mm)</i> |
|  | Einbautiefe (in mm) Mounting Depth (in mm) <i>Profondeur de montage (en mm)</i> |
|  | Einbaubreite (in mm) installation width (in mm) <i>largeur d'installation (en mm)</i> |
|  | Volt Voltage <i>Voltage</i> |
|  | Batterie battery <i>pile</i> |
|  | austauschbare LED replaceable LED <i>LED remplaçables</i> |
|  | Insect-protected insektengeschützt <i>Protection contre les insectes</i> |
|  | ball-proof ballwurfsicher <i>anti-balles</i> |

BESONDERER FUNKTIONEN
SPECIAL LEVEL OF FUNCTION | NIVEAU SPÉCIAL DE FONCTION



insektengeschützt | insect-protected | *protection contre les insectes*

Es handelt sich hier um eine insekten- und staubgeschützte Leuchte. Hierbei ist zumindest das Leuchtgehäuse und die sichtbare Leuchtfläche so geschützt, dass keine Insekten eindringen können. (Entspricht IP50).

This is an insect- and dust-proof luminaire. In this case, at least the luminaire housing and the visible illuminated surface shall be protected in such a way that insects cannot penetrate. (equivalent to IP50).

Il s'agit d'un luminaire résistant aux insectes et à la poussière. Dans ce cas, au moins le boîtier du luminaire et la surface éclairée visible doivent être protégés de manière à empêcher les insectes de pénétrer. (équivalent à IP50).



ballwurfsicher | ball-proof | *anti-balles*

Ballwurfsicherheit nach | Ball-proof according to | *Résistant aux balles selon la norme DIN18032-3*

SCHUTZGRAD | PROTECTION RATING
INDICE DE PROTECTION

Der Schutzgrad gewährleistet die Betriebssicherheit von Leuchten. Die erste Ziffer des IP Grades beschreibt den Schutzzumfang gegen das Eindringen von Fremdkörpern, die zweite Ziffer informiert über den Grad des Feuchtigkeitsschutzes.

The protection rating ensures the operational safety of luminaires. The first number specifies the extent of the protection against the ingress of foreign bodies; the second number identifies the humidity protection grade.

L'indice de protection assure la sécurité opérationnelle des luminaires. Le premier chiffre indique à quel point la protection est efficace contre l'insertion de corps étrangers; le second chiffre indique quant à lui le degré de protection par rapport à l'humidité.



IP20



IP54



IP40



IP65



IP44



IP66



IP50



IP67

SCHUTZKLASSE | PROTECTION CLASS
CLASSE DE PROTECTION

Die Schutzklasse gibt an, inwiefern ein Produkt gegen einen elektrischen Schlag gesichert ist. Alle Leuchten in diesem Katalog sind mit mindestens Schutzklasse 1 gesichert, bei höheren Klassen wird das Symbol im Infokasten der Leuchte angegeben.

The protection class indicates to what extent the luminaire is protected against electric shock. All luminaires in this catalogue are at least protected with the protection class 1 - a higher class is specified in the information box of the respective luminaire.

La classe de protection indique, dans quelle mesure la lampe est protégée contre les chocs électriques. Tous les lampes dans ce catalogue sont protégées au moins avec la classe 1 - une classe plus élevée est indiquée dans l'information de la luminaire.



Schutzklasse 1: Schutzerdung

protection class 1: protective earthing
classe de protection 1: prise de terre



Schutzklasse 2: Schutzisolierung

protection class 2: protective insulation
classe de protection 2: double isolation ou renforcée

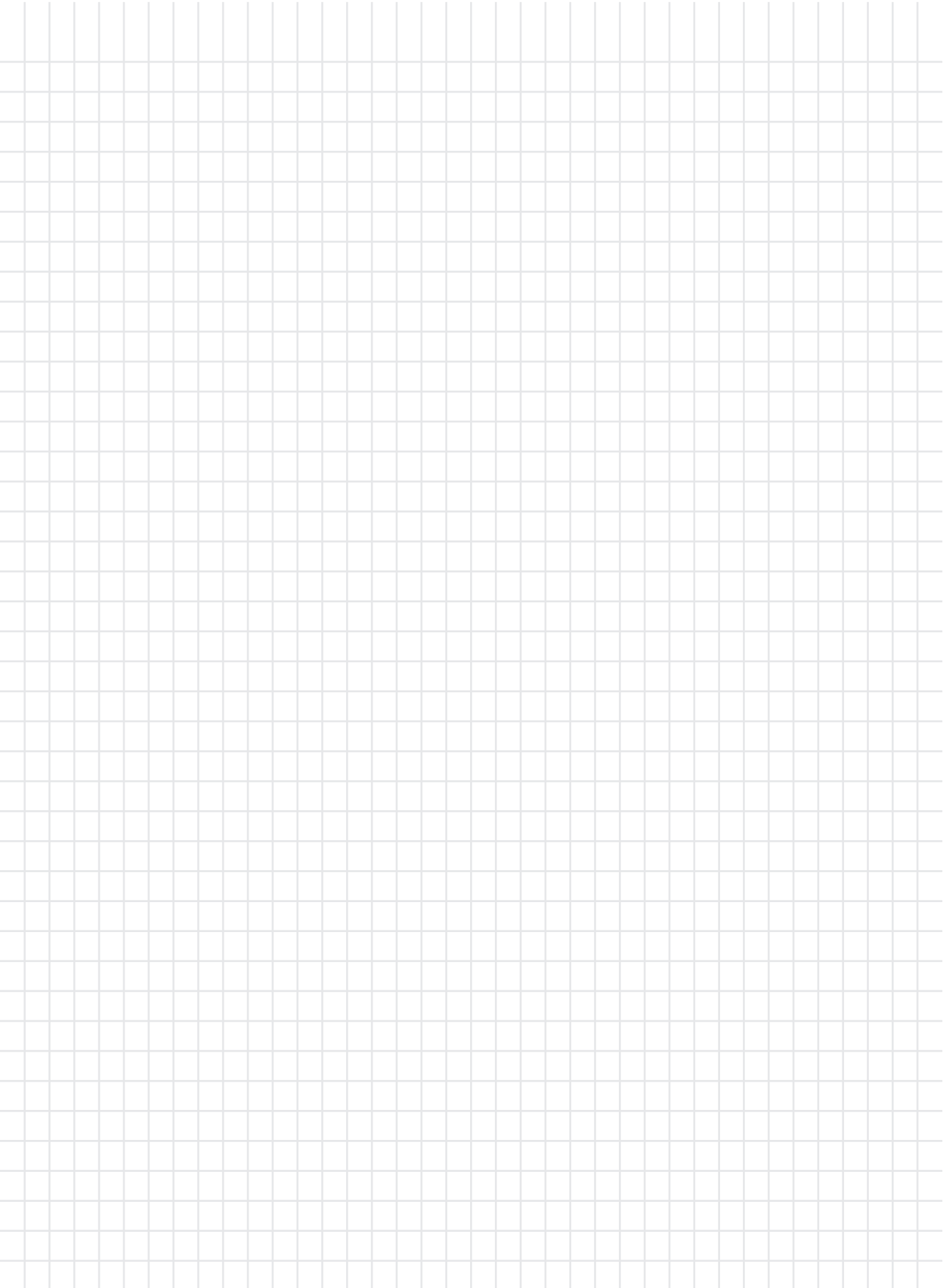


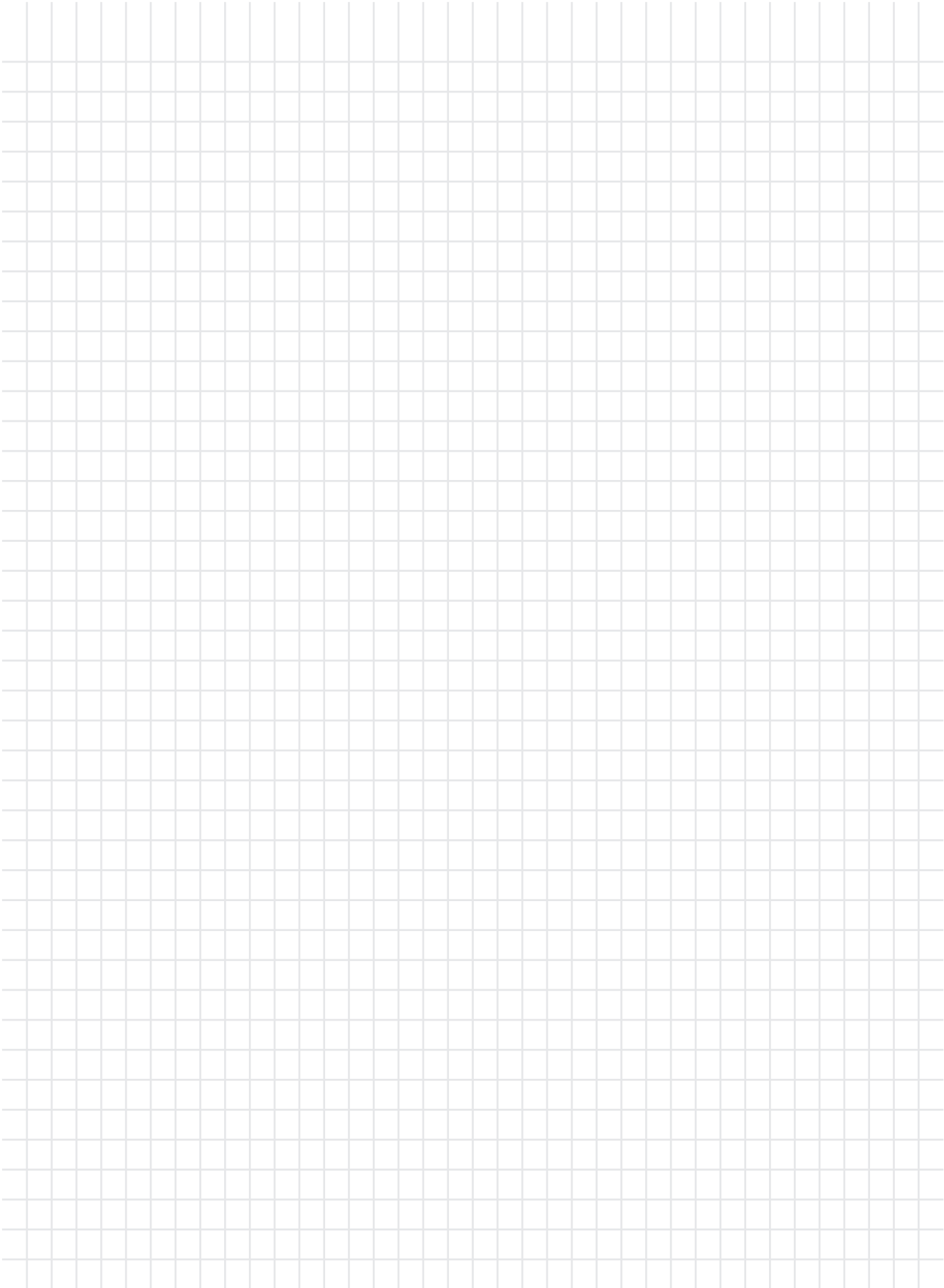
Schutzklasse 3: Schutzkleinspannung

protection class 3: protective low voltage
classe de protection 3: très basse tension de sécurité

NOTIZEN

NOTES
NOTES





Mit diesem Katalog verlieren alle vorhergehenden Kataloge und Preislisten ihre Gültigkeit.

Irrtümer, Druckfehler, Modell- und Preisänderungen sowie technische Änderungen vorbehalten. Wir liefern zu unseren Liefer- und Zahlungsbedingungen. Unsere Produkte entsprechen der europäischen Leuchtennorm EN 60598. Produkte mit dem ENEC Prüfzeichen sind konform mit der Richtlinie 2006/95/EG. Produkte mit weiteren Sicherheitshinweisen (zB. Schutzklasse, IP) sind mit Symbol und Zahl bei der Produktfamilie ausgezeichnet.

Der Inhalt dieses Kataloges ist für die EGLO Leuchten GmbH urheberrechtlich geschützt. Alle Rechte sind vorbehalten.

Bilder und Texte dürfen nicht ohne vorherige ausdrückliche, schriftliche Genehmigung verwendet werden.

Die Abbildungen sind 4C Drucke und können vom Original abweichen. Die Katalogbilder und die gezeigten Darstellungen der Produkte können von der Wirklichkeit abweichen und nicht den üblichen Produktanwendungen entsprechen. EGLO übernimmt keine Haftung für die Richtigkeit, Vollständigkeit und Anwendungsdarstellung der Produkte und Produktinformationen.

Gestaltung, Layout und Satz:

EGLO Leuchten GmbH, A-6136 Pill - AUSTRIA

Druck: Samson Druck GmbH,
5581 St. Margarethen - AUSTRIA

Bilder: EGLO, Adobe Stock, istockphoto.com

All previous catalogues and price lists are no longer valid with the issue of this catalogue.

Errors, misprints, model and price changes and technical modifications are reserved. We deliver based on our terms of delivery and payment. Our products comply with the European light norm EN60598. Products with the ENEC test mark are conforming to the guide line 2006/95/EG. Products with additional safety remarks (e.g protection class, IP) are identified within the product family with the relevant symbol and number.

The content of this catalogue is protected under copyright law for EGLO Leuchten GmbH. All rights reserved.

Our specific written consent must be obtained before using any illustrations and texts. The pictures are 4C prints and may differ from the original. The product pictures and ambiances in this catalogue can deviate from reality, and they do not necessarily concur with the usual application of the product. EGLO does not assume liability for the correctness, completeness or the application depiction of the products and/or the product information.

Design, layout and composition:

EGLO Leuchten GmbH, A-6136 Pill - AUSTRIA

Print: Samson Druck GmbH,
5581 St. Margarethen - AUSTRIA

Pictures: EGLO, Adobe Stock, istockphoto.com

Le présent catalogue remplace tous les catalogues et tarifs précédents.

Sous réserve d'erreurs, de fautes d'impression, de modification des modèles et de changement de prix et de technique. Nous livrons sur la base de nos conditions de livraison et de paiement. Nos produits sont conformes aux normes européennes EN 60598 et portent le marquage CE. Les produits portant la marque ENEC sont conformes à la Directive 2006/95/EG. Les produits portant d'autres indications de sécurité (par exemple classe de protection, IP) sont identifiés par le symbole et le nombre correspondants dans la famille de produits.

Le contenu du présent catalogue est protégé pour la société EGLO Leuchten GmbH par un copyright. Tous droits réservés.

Toute reproduction d'images et du texte est interdite sans autorisation explicite par écrit préalable. Les images sont imprimées en 4C et peuvent différer de l'original. Les images des produits et les ambiances dans le catalogue peuvent dévier de la réalité et ne sont pas nécessairement en ligne avec l'usage habituel du produit. EGLO n'engage pas sa responsabilité sur la justesse des images et sur les informations relatives à l'usage pouvant être fait des produits.

Conception, maquette et composition:

EGLO Leuchten GmbH, A-6136 Pill - AUSTRIA

*Presse: Samson Druck GmbH
5581 St. Margarethen - AUSTRIA*

Images: EGLO, Adobe Stock, istockphoto.com

12-2023



EGLO Leuchten GmbH
Heiligkreuz 22
A-6136 Pill
Austria
Tel. +43 (0) 5242 6996
Fax +43 (0) 5242 6996-972
info@eglo.com
professional.eglo.com

KATPRO24-P

my light | my style