

Sharp Family



Artemide®

Sharp

Carlotta de Bevilacqua

↳ 2016

A patented high-efficiency optical system combining a polynomial optical unit with geometric screening of the beam's viewing angle.

Highly uniform lighting and full emission control.

Total absence of any lighting defects, such as spots or multiple shadows.

Recess depth 60 mm.

Suited for 1 to 25 mm ceilings.

Available in the trim, trimless and SMD versions.



For further information on Sharp
↳ visit artemide.com

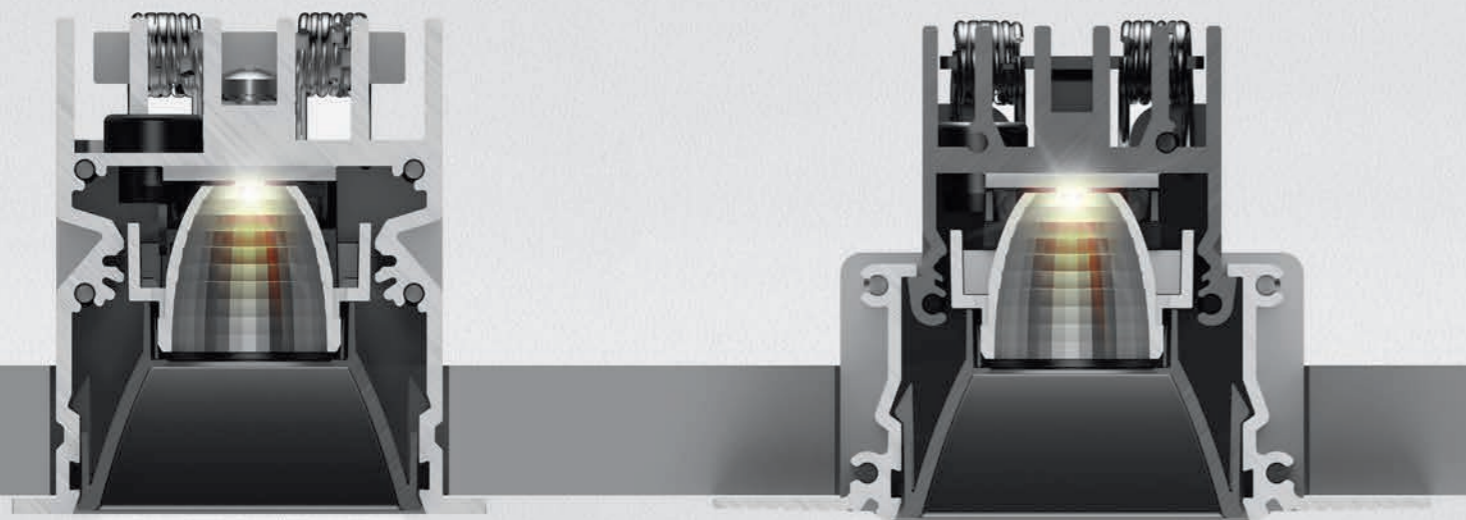


→ PATENT PENDING

Only for recessed version
(4x, 6x, 12X, 16x)



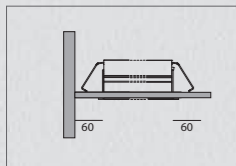
Sharp trim - trimless typologies



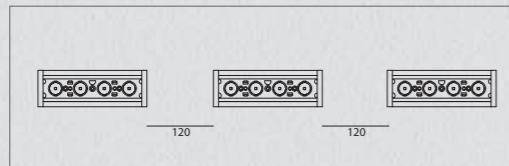
→ Sharp trim

→ Sharp trimless

Minimum distance from
the wall



Minimum distance between the devices



Sharp trim

Optic unit

Louvres



Driver							
	Vac	L _{mm}	W _{mm}	H _{mm}	Optic units	Min. ceiling depth (mm)	
7,2 W 900mA	220-240	76	32	22	1x / 2x	80 / 60	Undimmable
19,8 W 900mA	220-240	125	38	23	4x	60	Undimmable
20 W 900mA	220-240	180	32	32	4x	80	DALI
32 W 1000mA	220-240	129,5	42	30	8x	80	Undimmable
50 W 1050mA	220-240	124	79	22	12x / 16x	80	Undimmable
40 W 900mA	220-240	97	43	30	8x / 16x	80	Undimmable
25 W 900mA	220-240	164	38	24,5	1x / 2x / 4x / 8x	150 / 130 / 80 / 60	DALI
48 W 900mA	220-240	110	75	25,7	12x / 16x	80 / 80	DALI
32 W 900mA	220-240	156	53	26	4x / 8x	90	DALI push, 0-10V, 1-10V
48 W 900mA	220-240	125	82	29	8x / 12x / 16x	100	DALI push, 0-10V, 1-10V

Code
DV1001
DV1002
DV1008
DV1004
DV1005
DV1006
DV1003
DV1007
M077401
DV1063

SHARP TRIM

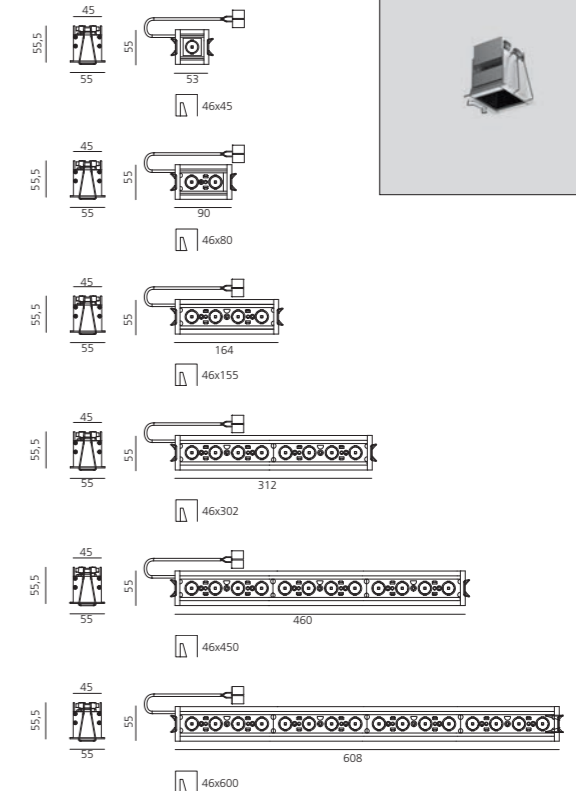
White	Black	Silver
01	04	05

S	F	WF

Driver 900mA SELV and louvres supplied separately.

MacAdam 2SDCM
Life L90 (17K) 103000h
CRI >90

	Watt	Beam	Flux	CCT	Code
1 optic unit	3 W	S 20°	189 lm	2700 K	AF000. 01/05/04
			201 lm	3000 K	AF003. 01/05/04
			215 lm	4000 K	AF006. 01/05/04
		F 36°	177 lm	2700 K	AF001. 01/05/04
			188 lm	3000 K	AF004. 01/05/04
			201 lm	4000 K	AF007. 01/05/04
		WF 52°	183 lm	2700 K	AF002. 01/05/04
			195 lm	3000 K	AF005. 01/05/04
			208 lm	4000 K	AF008. 01/05/04
		2 optic units	5,5 W	S 20°	377 lm
402 lm	3000 K				AF053. 01/05/04
430 lm	4000 K				AF056. 01/05/04
F 36°	353 lm			2700 K	AF051. 01/05/04
	376 lm			3000 K	AF054. 01/05/04
	403 lm			4000 K	AF057. 01/05/04
WF 52°	366 lm			2700 K	AF052. 01/05/04
	389 lm			3000 K	AF055. 01/05/04
	417 lm			4000 K	AF058. 01/05/04
4 optic units	11 W			S 20°	755 lm
		804 lm	3000 K		AF103. 01/05/04
		860 lm	4000 K		AF106. 01/05/04
		F 36°	706 lm	2700 K	AF101. 01/05/04
			752 lm	3000 K	AF104. 01/05/04
			805 lm	4000 K	AF107. 01/05/04
		WF 52°	731 lm	2700 K	AF102. 01/05/04
			779 lm	3000 K	AF105. 01/05/04
			834 lm	4000 K	AF108. 01/05/04
		8 optic units	22 W	S 20°	1509 lm
1608 lm	3000 K				AF150. 01/05/04
1721 lm	4000 K				AF153. 01/05/04
F 36°	1412 lm			2700 K	AF148. 01/05/04
	1504 lm			3000 K	AF151. 01/05/04
	1610 lm			4000 K	AF154. 01/05/04
WF 52°	1462 lm			2700 K	AF149. 01/05/04
	1558 lm			3000 K	AF152. 01/05/04
	1667 lm			4000 K	AF155. 01/05/04
12 optic units	33 W			S 20°	2263 lm
		2412 lm	3000 K		AF200. 01/05/04
		2581 lm	4000 K		AF203. 01/05/04
		F 36°	2118 lm	2700 K	AF198. 01/05/04
			2256 lm	3000 K	AF201. 01/05/04
			2415 lm	4000 K	AF204. 01/05/04
		WF 52°	2193 lm	2700 K	AF199. 01/05/04
			2337 lm	3000 K	AF202. 01/05/04
			2501 lm	4000 K	AF205. 01/05/04
		16 optic units	44 W	S 20°	3019 lm
3215 lm	3000 K				AF250. 01/05/04
3442 lm	4000 K				AF253. 01/05/04
F 36°	2824 lm			2700 K	AF248. 01/05/04
	3009 lm			3000 K	AF251. 01/05/04
	3220 lm			4000 K	AF254. 01/05/04
WF 52°	2924 lm			2700 K	AF249. 01/05/04
	3316 lm			3000 K	AF252. 01/05/04
	3335 lm			4000 K	AF255. 01/05/04



Accessories

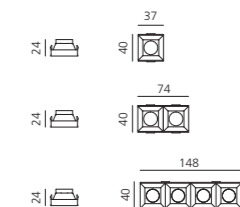
Sharpening wall grazer lens Kit (4pcs)
26°x70° elliptical lenses kit. It has to be used on top of S 20° reflectors to get an elliptical beam (greater axis along the module length). It contains 4 lenses.

Code
AF950. 01/04

AF951. 01/04

AF952. 01/04

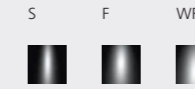
Code
AF06000



Sharp trimless



↳ SHARP TRIMLESS

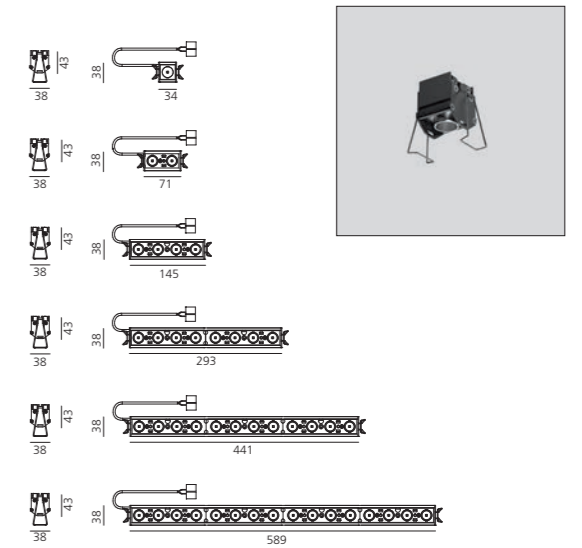


Driver 900mA SELV and louvres supplied separately.

MacAdam 2SDCM
Life L90 (17K) 103000h
CRI >90

IP20

	Watt	Beam	Flux	CCT	Code		
1 optic unit	3 W	S 20°	189 lm	2700 K	AF50000		
			201 lm	3000 K	AF50300		
			215 lm	4000 K	AF50600		
		F 36°	177 lm	2700 K	AF50100		
			188 lm	3000 K	AF50400		
			201 lm	4000 K	AF50700		
	WF 52°	183 lm	2700 K	AF50200			
		195 lm	3000 K	AF50500			
		208 lm	4000 K	AF50800			
		2 optic units	5,5 W	S 20°	371 lm	2700 K	AF55000
					402 lm	3000 K	AF55300
					430 lm	4000 K	AF55600
F 36°	353 lm			2700 K	AF55100		
	376 lm			3000 K	AF55400		
	403 lm			4000 K	AF55700		
WF 52°	366 lm		2700 K	AF55200			
	389 lm		3000 K	AF55500			
	417 lm		4000 K	AF55800			
4 optic units	11 W		S 20°	755 lm	2700 K	AF60000	
				804 lm	3000 K	AF60300	
				860 lm	4000 K	AF60600	
		F 36°	706 lm	2700 K	AF60100		
			752 lm	3000 K	AF60400		
			805 lm	4000 K	AF60700		
	WF 52°	731 lm	2700 K	AF60200			
		779 lm	3000 K	AF60500			
		834 lm	4000 K	AF60800			
	8 optic units	22 W	S 20°	1509 lm	2700 K	AF64700	
				1608 lm	3000 K	AF65000	
				1721 lm	4000 K	AF65300	
F 36°			11412 lm	2700 K	AF64800		
			1504 lm	3000 K	AF65100		
			1610 lm	4000 K	AF65400		
WF 52°		1462 lm	2700 K	AF64900			
		1558 lm	3000 K	AF65200			
		1667 lm	4000 K	AF65500			
12 optic units		33 W	S 20°	2263 lm	2700 K	AF69700	
				2412 lm	3000 K	AF70000	
				2581 lm	4000 K	AF70300	
	F 36°		2118 lm	2700 K	AF69800		
			2256 lm	3000 K	AF70100		
			2415 lm	4000 K	AF70400		
	WF 52°	2193 lm	2700 K	AF69900			
		2337 lm	3000 K	AF70200			
		2501 lm	4000 K	AF70500			
	16 optic units	44 W	S 20°	3019 lm	2700 K	AF74700	
				3215 lm	3000 K	AF75000	
				3442 lm	4000 K	AF75300	
F 36°			2824 lm	2700 K	AF74800		
			3009 lm	3000 K	AF75100		
			3220 lm	4000 K	AF75400		
WF 52°		2924 lm	2700 K	AF74900			
		3316 lm	3000 K	AF75200			
		3335 lm	4000 K	AF75500			



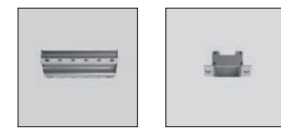
↳ SHARP TRIMLESS

White Black



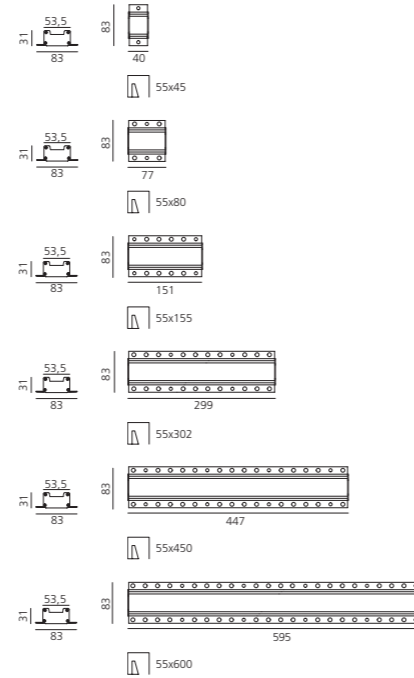
Driver 900mA SELV and louvres supplied separately.

Frame for recessed installation



1X
2X
4X
8X
12X
16X

Code
AF90000
AF90100
AF90200
AF90300
AF90400
AF90500

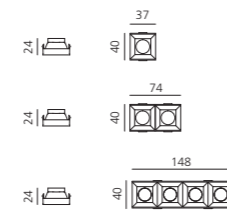


Louvres



1X
2X
4X

Code
AF950. 01/04
AF951. 01/04
AF952. 01/04



Accessories



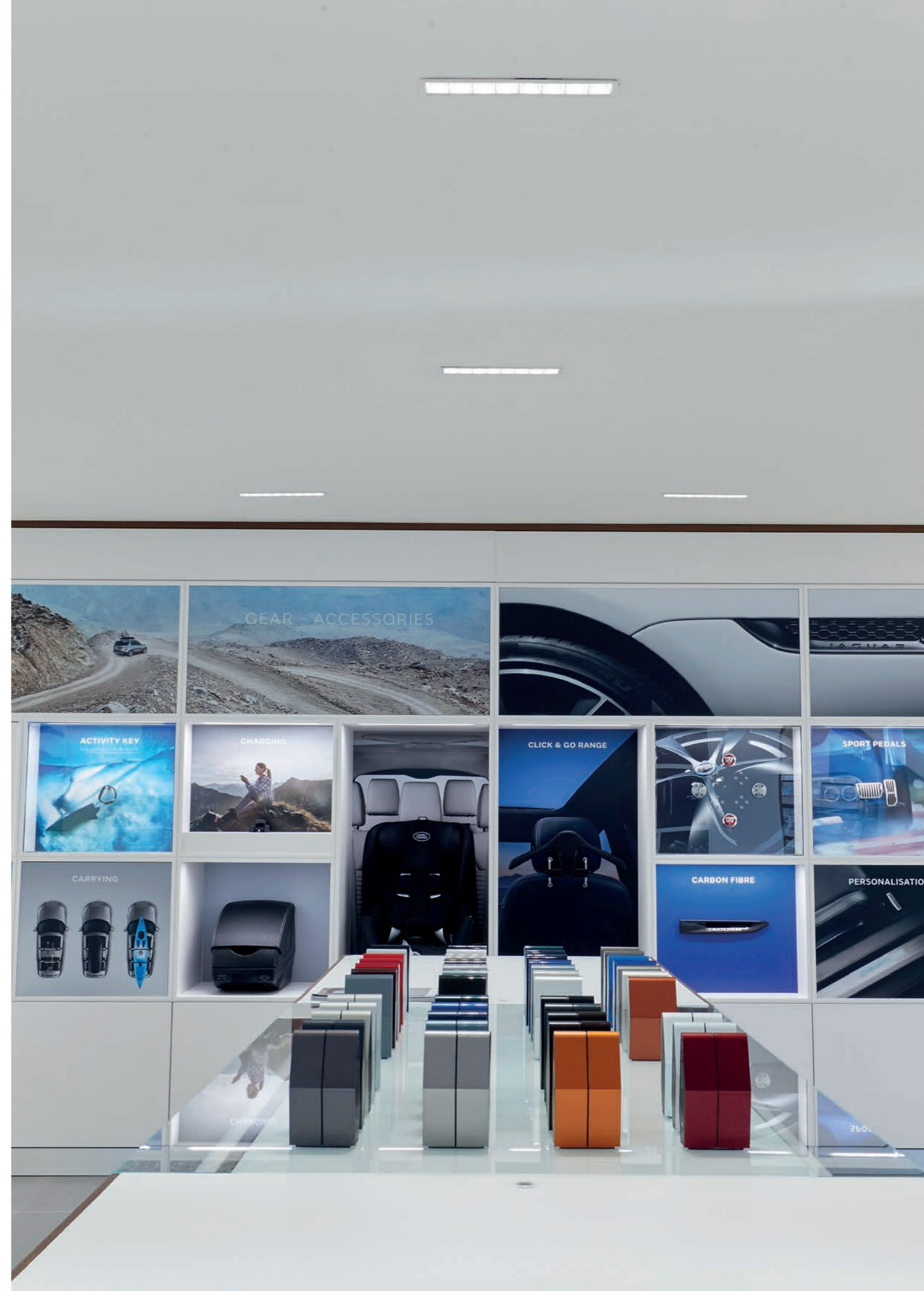
Sharping wall grazer lens Kit (4pcs)
 26°x70° elliptical lenses kit. It has to be used on top of S 20° reflectors to get an elliptical beam (greater axis along the module length). It contains 4 lenses.

Code
AF06000

Driver

	Vac	L _{mm}	W _{mm}	H _{mm}	Optic units	Min. ceiling depth (mm)	
7,2 W 900mA	220-240	76	32	22	1x / 2x	80 / 60	Undimmable
19,8 W 900mA	220-240	125	38	23	4x	60	Undimmable
20 W 900mA	220-240	180	32	32	4x	80	DALI
32 W 1000mA	220-240	129,5	42	30	8x	80	Undimmable
50 W 1050mA	220-240	124	79	22	12x / 16x	80	Undimmable
40 W 900mA	220-240	97	43	30	8x / 16x	80	Undimmable
25 W 900mA	220-240	164	38	24,5	1x / 2x / 4x / 8x	150 / 130 / 80 / 60	DALI
48 W 900mA	220-240	110	75	25,7	12x / 16x	80 / 80	DALI
32 W 900mA	220-240	156	53	26	4x / 8x	90	DALI push, 0-10V, 1-10V
48 W 900mA	220-240	125	82	29	8x / 12x / 16x	100	DALI push, 0-10V, 1-10V

Code
DV1001
DV1002
DV1008
DV1004
DV1005
DV1006
DV1003
DV1007
M077401
DV1063

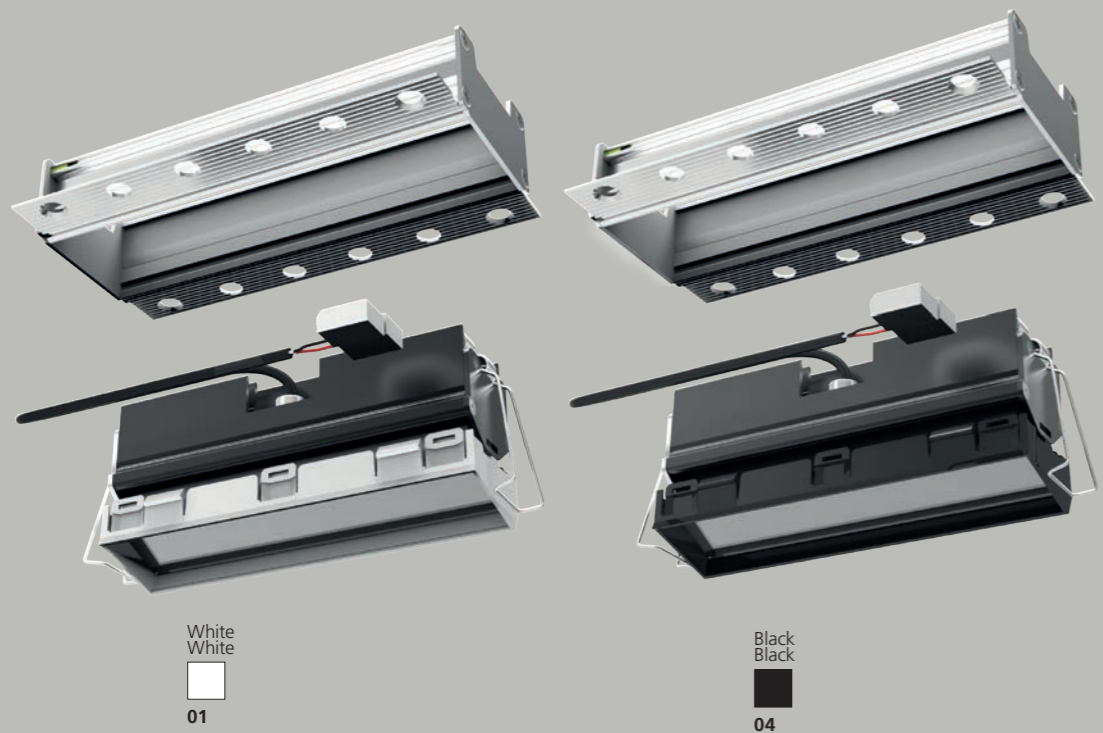


Sharp wall washer

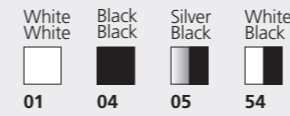
SHARP TRIM WALL WASHER



SHARP TRIMLESS WALL WASHER



SHARP TRIM - TRIMLESS WALL WASHER

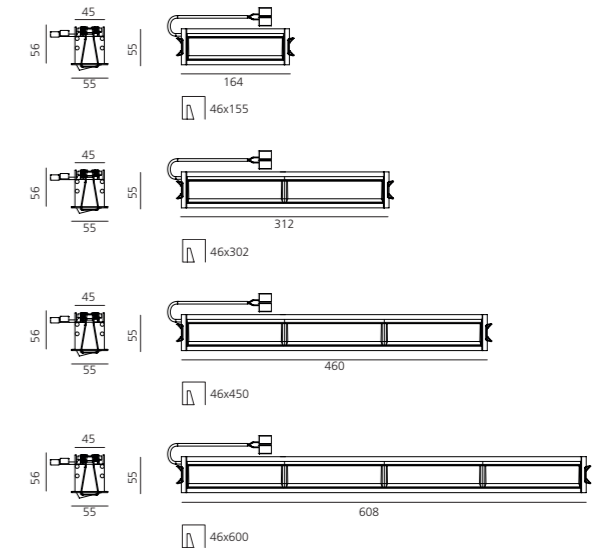


Driver 900mA SELV a supplied separately.
Louvres included.

MacAdam 2SDCM IP20
Life L90 (17K) 103000h
CRI >90

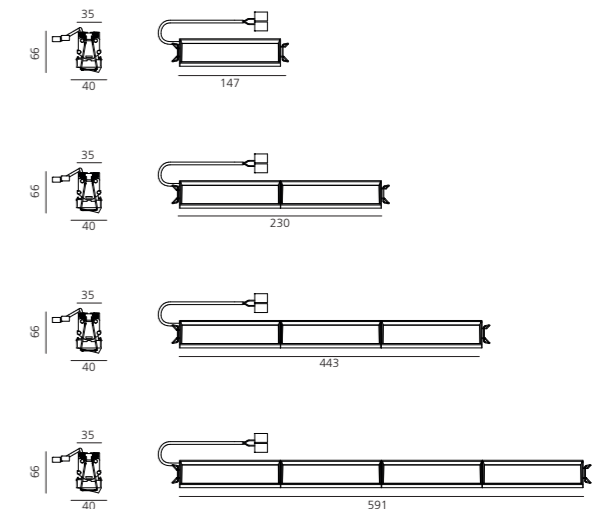
TRIM

	W	Flux	CCT	Code
1 optic unit	12 W	657 lm	2700 K	AF109. 01/04/05/54
		657 lm	3000 K	AF110. 01/04/05/54
		657 lm	4000 K	AF111. 01/04/05/54
2 optic units	22 W	1314 lm	2700 K	AF156. 01/04/05/54
		1314 lm	3000 K	AF157. 01/04/05/54
		1314 lm	4000 K	AF158. 01/04/05/54
3 optic units	33 W	1971 lm	2700 K	AF206. 01/04/05/54
		1971 lm	3000 K	AF207. 01/04/05/54
		1971 lm	4000 K	AF208. 01/04/05/54
4 optic units	44 W	2628 lm	2700 K	AF256. 01/04/05/54
		2628 lm	3000 K	AF257. 01/04/05/54
		2628 lm	4000 K	AF258. 01/04/05/54



TRIMLESS

	W	Flux	CCT	Code
1 optic unit	12 W	657 lm	2700 K	AF609. 01/04
		657 lm	3000 K	AF610. 01/04
		657 lm	4000 K	AF611. 01/04
2 optic units	22 W	1314 lm	2700 K	AF656. 01/04
		1314 lm	3000 K	AF657. 01/04
		1314 lm	4000 K	AF658. 01/04
3 optic units	33 W	1971 lm	2700 K	AF706. 01/04
		1971 lm	3000 K	AF707. 01/04
		1971 lm	4000 K	AF708. 01/04
4 optic units	44 W	2628 lm	2700 K	AF756. 01/04
		2628 lm	3000 K	AF757. 01/04
		2628 lm	4000 K	AF758. 01/04

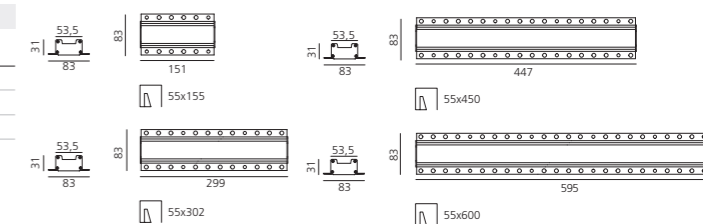


Frame for recessed installation



- 1X
- 2X
- 3X
- 4X

Code
AF90200
AF90300
AF90400
AF90500



Driver	Vac	L _{mm}	W _{mm}	H _{mm}	Optic units	Min. ceiling depth (mm)		Code
19,8 W 900mA	220-240	125	38	23	1x	60	Undimmable	DV1002
20 W 900mA	220-240	180	32	32	1x	80	DALI	DV1008
32 W 1000mA	220-240	129,5	42	30	2x	80	Undimmable	DV1004
50 W 1050mA	220-240	124	79	22	3x / 4x	80	Undimmable	DV1005
40 W 900mA	220-240	97	43	30	2x / 4x	80	Undimmable	DV1006
25 W 900mA	220-240	164	38	24,5	1x / 2x	80 / 60	DALI	DV1003
48 W 900mA	220-240	110	75	25,7	3x / 4x	80 / 80	DALI	DV1007
32 W 900mA	220-240	156	53	26	1x / 2x	90	DALI push, 0-10V, 1-10V	M077401
48 W 900mA	220-240	125	82	29	8x / 12x / 16x	100	DALI push, 0-10V, 1-10V	DV1063

Sharp ↪ SMD



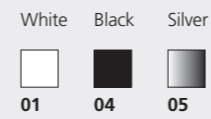


Sharp SMD

1x - 2x - 4x



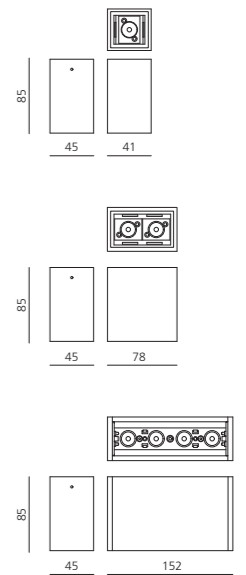
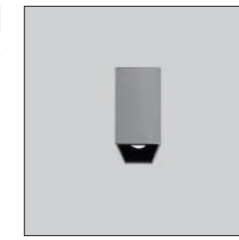
SHARP SMD



Driver 24Vdc Selv and louvres supplied separately.

MacAdam 2SDCM
Life L90 (17K) 103000h
CRI >90

	Watt	Beam	Flux	CCT	Code		
1 optic unit	3,5 W	S 20°	189 lm	2700 K	AF310. 01/04/05		
			201 lm	3000 K	AF313. 01/04/05		
			215 lm	4000 K	AF316. 01/04/05		
		F 36°	177 lm	2700 K	AF311. 01/04/05		
			188 lm	3000 K	AF314. 01/04/05		
			201 lm	4000 K	AF317. 01/04/05		
	WF 52°	183 lm	2700 K	AF312. 01/04/05			
		195 lm	3000 K	AF315. 01/04/05			
		208 lm	4000 K	AF318. 01/04/05			
		2 optic units	6,5 W	S 20°	377 lm	2700 K	AF360. 01/04/05
					402 lm	3000 K	AF363. 01/04/05
			F 36°	353 lm	2700 K	AF361. 01/04/05	
376 lm	3000 K			AF364. 01/04/05			
WF 52°	366 lm	2700 K	AF362. 01/04/05				
	389 lm	3000 K	AF365. 01/04/05				
4 optic units	12 W	S 20°	755 lm	2700 K	AF410. 01/04/05		
			804 lm	3000 K	AF413. 01/04/05		
			860 lm	4000 K	AF416. 01/04/05		
		F 36°	706 lm	2700 K	AF411. 01/04/05		
			752 lm	3000 K	AF414. 01/04/05		
			805 lm	4000 K	AF417. 01/04/05		
	WF 52°	731 lm	2700 K	AF412. 01/04/05			
		779 lm	3000 K	AF415. 01/04/05			
		834 lm	4000 K	AF418. 01/04/05			



Louvres

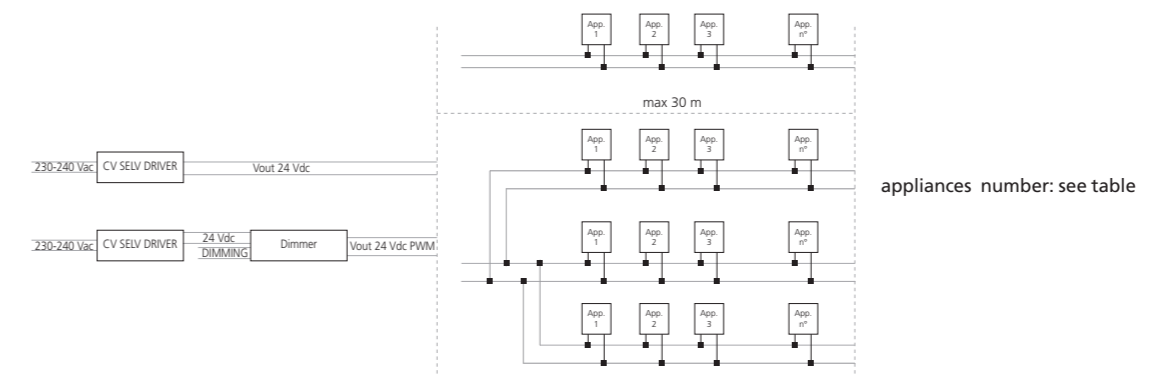
		1X (1 pc)	AF950. 01/04
		2X (1 pc)	AF951. 01/04
		4X (1 pc)	AF952. 01/04

Accessories

	AF6000
--	---------------

Sharpening wall grazer lens Kit (4pcs)
26°x70° elliptical lenses kit. It has to be used on top of S 20° reflectors to get an elliptical beam (greater axis along the module length). It contains 4 lenses.

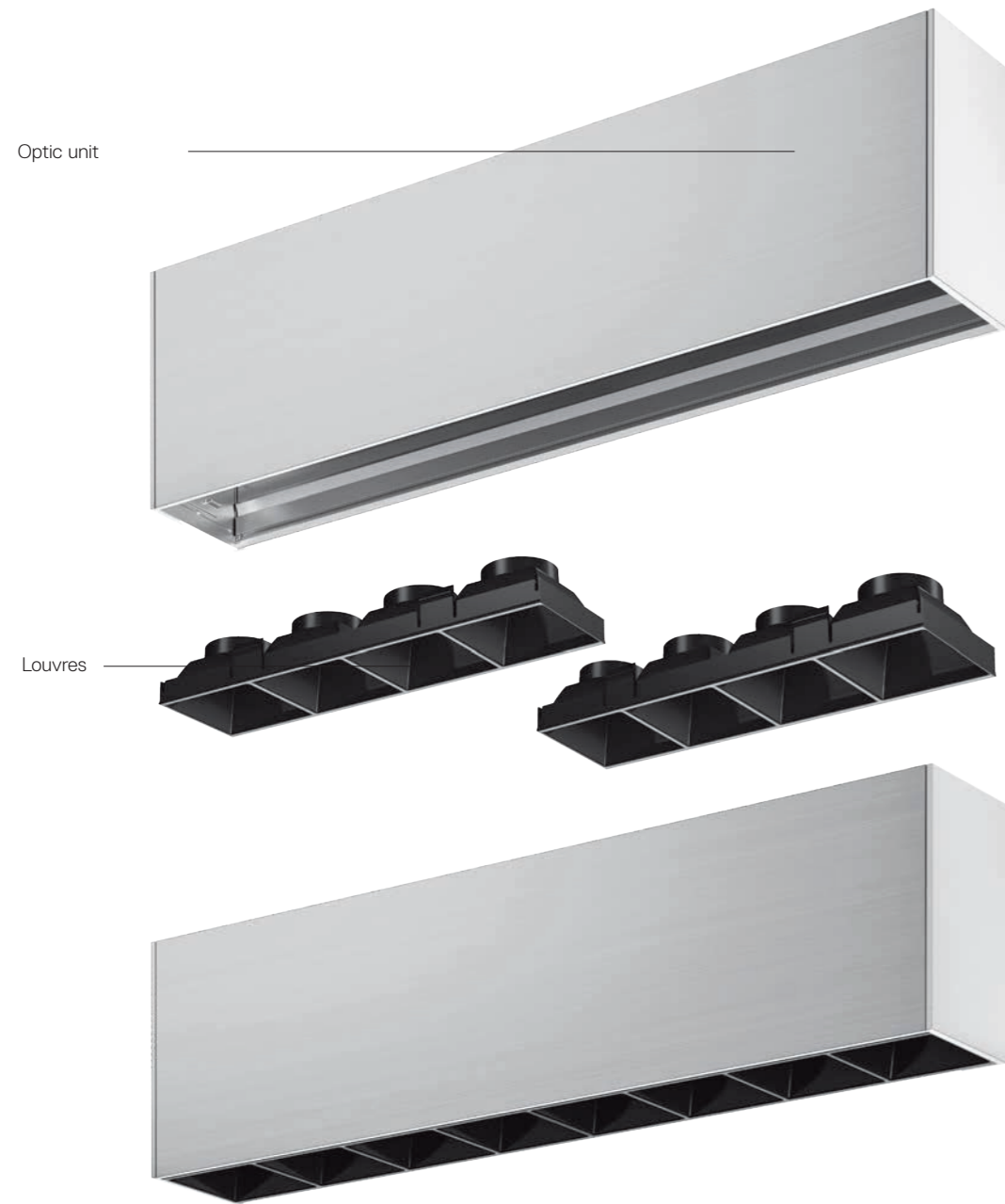
Driver	W	Vin (V)	Vout (V)	L mm	W mm	H mm	W max	Min wire section mm ²	Max wire length m	n°device	Dimming	Code
CV Selv	30	220-240 Vac	24Vdc	153	41	32	25	1.5	30	1x 3,5W 2x 6,3W 4x 11,6W	DALI 1-10V PUSH 0-10V potentiom.	DV1032
CV Selv	75	220-240 Vac	24Vdc	180	52	30	63	1.5	30		no	DV1009
CV Selv	120	220-240 Vac	24Vdc	300	40	30	102	1.5	30		no	DV1033
Dimmer	NA	24Vdc	24Vdc PWM	80	54	24	max 100	1.5	30	see above	yes	DV1048



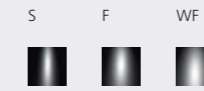
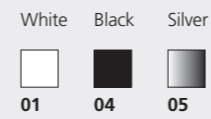


Sharp SMD

8x - 12x - 16x



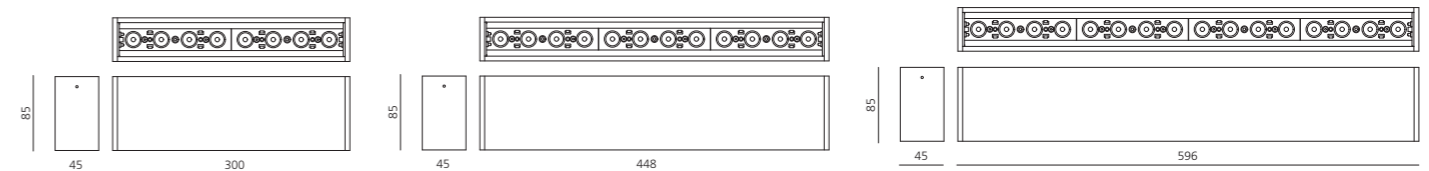
SHARP SMD



MacAdam 2SDCM IP20
Life L90 (17K) 103000h
CRI >90



	Watt	Beam	Flux	CCT	Undimmable		Dimmable DALI		
					Code		Code		
8 optic units	24 W	S 20°	1509 lm	2700 K	AF457.	01/04/05	AF476.	01/04/05	
			1608 lm	3000 K	AF460.	01/04/05	AF470.	01/04/05	
			1721 lm	4000 K	AF463.	01/04/05	AF473.	01/04/05	
		F 36°	1412 lm	2700 K	AF458.	01/04/05	AF477.	01/04/05	
			1504 lm	3000 K	AF461.	01/04/05	AF471.	01/04/05	
			1610 lm	4000 K	AF464.	01/04/05	AF474.	01/04/05	
	WF 52°	1462 lm	2700 K	AF459.	01/04/05	AF478.	01/04/05		
		1558 lm	3000 K	AF462.	01/04/05	AF472.	01/04/05		
		1667 lm	4000 K	AF465.	01/04/05	AF475.	01/04/05		
	12 optic units	37 W	S 20°	2263 lm	2700 K	AF807.	01/04/05	AF826.	01/04/05
				2412 lm	3000 K	AF810.	01/04/05	AF820.	01/04/05
				2581 lm	4000 K	AF813.	01/04/05	AF823.	01/04/05
F 36°			2118 lm	2700 K	AF808.	01/04/05	AF827.	01/04/05	
			2256 lm	3000 K	AF811.	01/04/05	AF821.	01/04/05	
			2415 lm	4000 K	AF814.	01/04/05	AF824.	01/04/05	
WF 52°		2193 lm	2700 K	AF809.	01/04/05	AF828.	01/04/05		
		2337 lm	3000 K	AF812.	01/04/05	AF822.	01/04/05		
		2501 lm	4000 K	AF815.	01/04/05	AF825.	01/04/05		
16 optic units		47 W	S 20°	3018 lm	2700 K	AF857.	01/04/05	AF876.	01/04/05
				3215 lm	3000 K	AF860.	01/04/05	AF870.	01/04/05
				3442 lm	4000 K	AF863.	01/04/05	AF873.	01/04/05
	F 36°		2824 lm	2700 K	AF858.	01/04/05	AF877.	01/04/05	
			3009 lm	3000 K	AF861.	01/04/05	AF871.	01/04/05	
			3220 lm	4000 K	AF864.	01/04/05	AF874.	01/04/05	
	WF 52°	2924 lm	2700 K	AF859.	01/04/05	AF878.	01/04/05		
		3316 lm	3000 K	AF862.	01/04/05	AF872.	01/04/05		
		3335 lm	4000 K	AF865.	01/04/05	AF875.	01/04/05		



Louvres



148 4X (1pc)

Code
AF952. 01/04

Accessories



Sharping wall grazer lens Kit (4pcs)
26°x70° elliptical lenses kit. It has to be used on top of S 20° reflectors to get an elliptical beam (greater axis along the module length). It contains 4 lenses.

Code
AF06000

Sharp SMD wall washer



White White
01



Silver Black
05

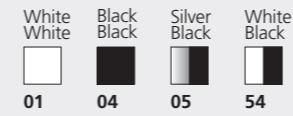


White Black
54



Black Black
04

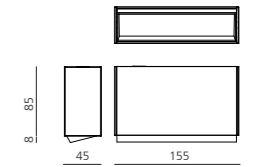
SHARP SMD WALL WASHER



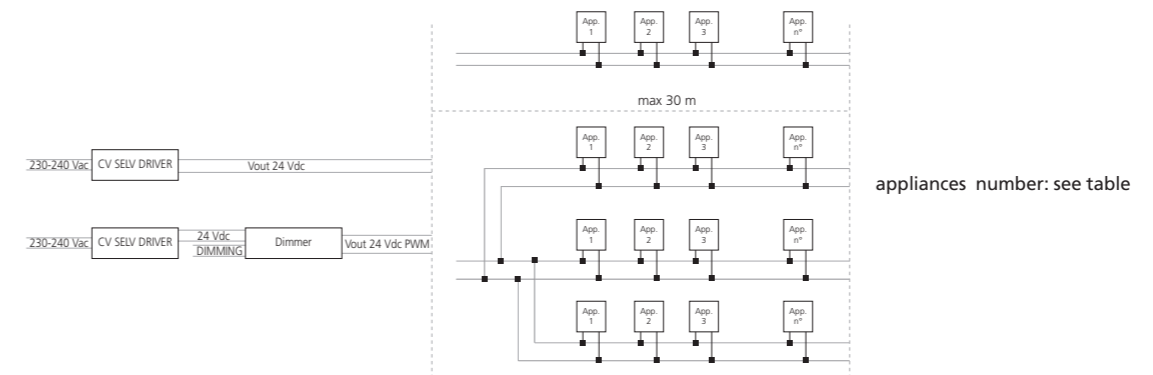
MacAdam 2SDCM IP20
Life L90 (17K) 103000h
CRI >90

Driver 24Vdc Selv a supplied separately.

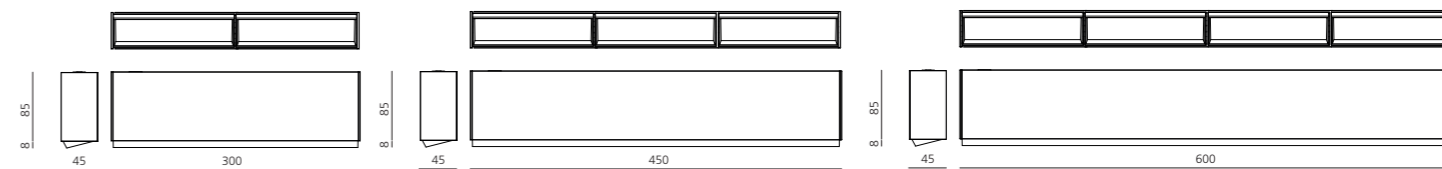
W	Flux	CCT	Code
12 W	657 lm	2700 K	AF419. 01/04/05/54
	657 lm	3000 K	AF420. 01/04/05/54
	657 lm	4000 K	AF421. 01/04/05/54



Driver	W	Vin (V)	Vout (V)	L mm	W mm	H mm	W max	Min Wire section mm ²	Max wire length m	n°device	Dimming	Code
CV Selv	30	220-240 Vac	24Vdc	153	41	32	25	1.5	30	2	no no no	DV1032
CV Selv	75	220-240 Vac	24Vdc	180	52	30	63	1.5	30	3	no no no	DV1009
CV Selv	120	220-240 Vac	24Vdc	300	40	30	102	1.5	30	4	no no no	DV1033
Dimmer	NA	24Vdc	24Vdc PWM	80	54	24	max 100	1.5	30	see above	yes yes yes	DV1048



Electronic ballast included.				Undimmable	Dimmable DALI
W	Flux	CCT	Code	Code	
2 optic units	22 W	1314 lm	2700 K	AF466. 01/04/05/54	AF479. 01/04/05/54
		1314 lm	3000 K	AF467. 01/04/05/54	AF480. 01/04/05/54
		1314 lm	4000 K	AF468. 01/04/05/54	AF481. 01/04/05/54
3 optic units	33 W	1971 lm	2700 K	AF816. 01/04/05/54	AF829. 01/04/05/54
		1971 lm	3000 K	AF817. 01/04/05/54	AF830. 01/04/05/54
		1971 lm	4000 K	AF818. 01/04/05/54	AF831. 01/04/05/54
4 optic units	44 W	2628 lm	2700 K	AF866. 01/04/05/54	AF880. 01/04/05/54
		2628 lm	3000 K	AF867. 01/04/05/54	AF881. 01/04/05/54
		2628 lm	4000 K	AF868. 01/04/05/54	AF882. 01/04/05/54



Sharp Family is compatible with **Artemide App**

Artemide App is a user-friendly and intuitive interface used to control individual products, groups of appliances and lighting scenarios. It is a tool that can be associated with several products from both the Design and the Architectural Catalogues.



Download Artemide App
and find more information on
artemide.com

Headquarters

Artemide S.p.A.

Via Bergamo, 18
20010 Pregnana Milanese (MI), Italy
Tel. +39 02 93518.1
Tel. +39 02 93526.1
Numero verde 800 834 093
(from Italy only)
info@artemide.com
artemide.com

Communication and Marketing Department

Via Canova, 34
20145 Milan (MI), Italy
Tel. +39 02.349611
marketing@artemide.com
artemide.com

Artemide S.p.A.

si riserva la facoltà di modificare, in qualunque momento e senza preavviso, le caratteristiche tecniche degli elementi illustrati nel presente catalogo.

Artemide S.p.A.

reserves the right to change, at any time and without prior warning, the technical specifications of any product illustrated in this catalogue.

Artemide S.p.A.

se réserve le droit de modifier, à n'importe quel moment et sans préavis, les caractéristiques techniques des éléments illustrés dans ce catalogue.

Artemide S.p.A.

behält sich das Recht vor jederzeit und ohne Ankündigung die technischen Daten der im Katalog abgebildeten Produkte zu ändern.

Artemide S.p.A.

se reserva la facultad de modificar, en cualquier y sin aviso previo, las características técnicas de los elementos ilustrados en el presente catálogo.



ISO 9001:2015



ISO 14001:2015



ISO 45001:2018



CTF STAGE2
ISO 17025